



US00D942021S

(12) **United States Design Patent**
Estes et al.

(10) **Patent No.:** **US D942,021 S**
(45) **Date of Patent:** **** Jan. 25, 2022**

(54) **PORTABLE COGNITIVE ASSESSMENT STATION**

(71) Applicant: **Cognivue, Inc.**, Victor, NY (US)

(72) Inventors: **Paul Estes**, Rochester, NY (US); **Karl Vanderbeek**, Cincinnati, OH (US); **Nicholas B Van Stolk**, Cincinnati, OH (US); **Jacob Schubert**, Bellevue, KY (US)

(73) Assignee: **COGNIVUE, INC.**, Victor, TX (US)

(**) Term: **15 Years**

(21) Appl. No.: **29/723,483**

(22) Filed: **Feb. 7, 2020**

(51) **LOC (13) Cl.** **24-01**

(52) **U.S. Cl.**
USPC **D24/186**

(58) **Field of Classification Search**
USPC D24/107, 158–161, 185, 186, 187;
D14/315, 328, 336, 371, 447, 434;
D6/642, 643
CPC A61B 5/162; A61B 5/165; A61B 5/4088;
A61B 3/113; A61B 2560/0431; G09B
7/02

See application file for complete search history.

(56) **References Cited**

U.S. PATENT DOCUMENTS

D509,900 S * 9/2005 Barnes D24/160
D550,366 S * 9/2007 Zhou D24/186
7,591,786 B2 * 9/2009 Holmberg A61B 8/4405
600/437
D770,052 S * 10/2016 Abu-Tarif D24/186

D872,283 S * 1/2020 Hallee D24/185
2014/0046193 A1 * 2/2014 Stack A61B 3/113
600/476
2016/0038075 A1 * 2/2016 Burdea A61B 5/4088
434/258

OTHER PUBLICATIONS

Cognivue—Cognitive Testing at the Hill Hear Better Clinic. Published on Aug. 3, 2020. Retrieved from website at: <https://hillhearbetter.com/2020/08/cognivue-cognitive-testing-at-thhbc/>.*

* cited by examiner

Primary Examiner — Anhdao Doan

(74) *Attorney, Agent, or Firm* — Hulsey P.C.

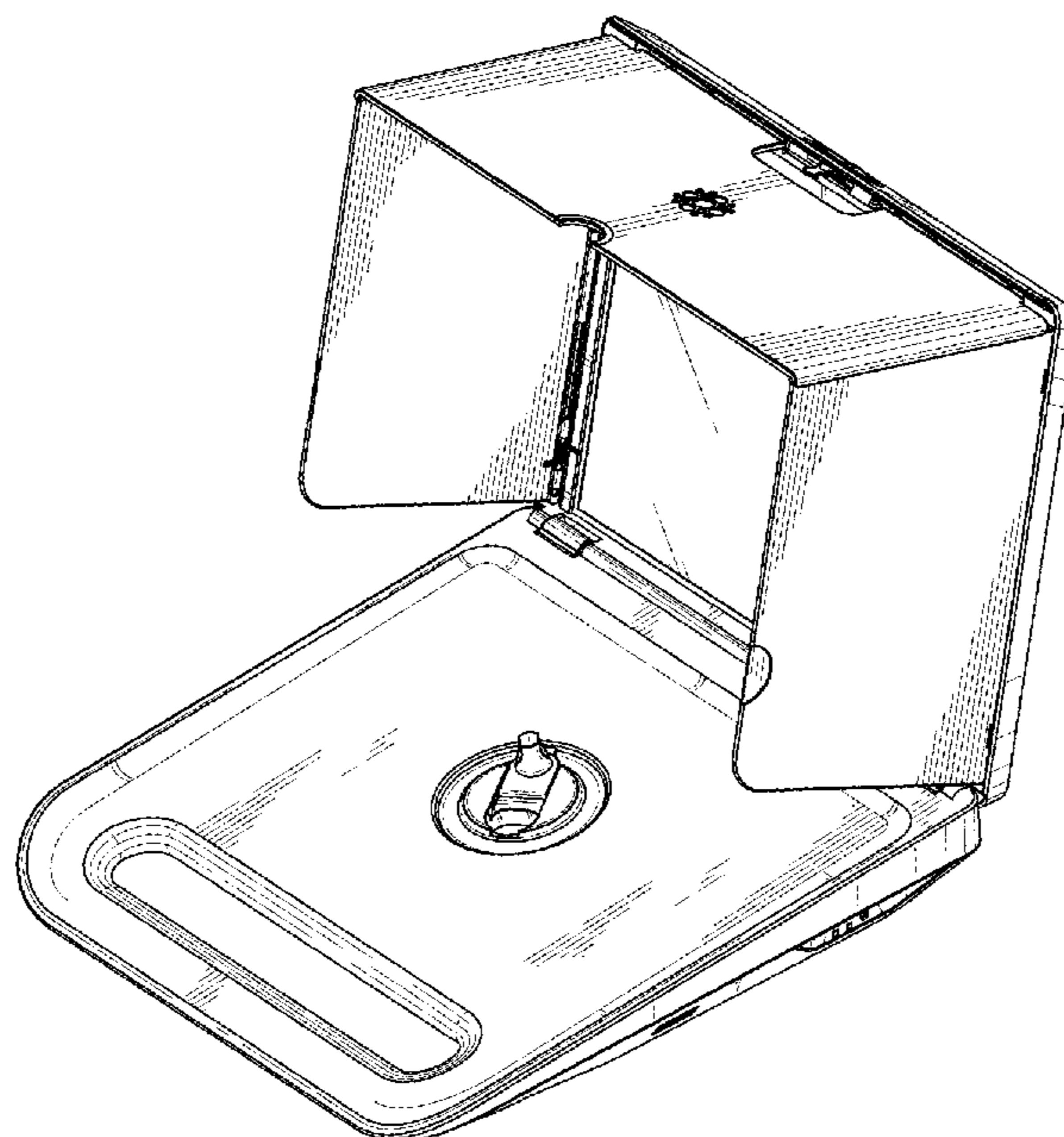
(57) **CLAIM**

The ornamental design for a portable cognitive assessment station, as shown and described.

DESCRIPTION

FIG. 1 is a top perspective view of a portable cognitive assessment station in a closed position; FIG. 2 is a bottom perspective view thereof; FIG. 3 is a front view thereof; FIG. 4 is a rear view thereof; FIG. 5 is a left side view thereof; FIG. 6 is a right side view thereof; FIG. 7 is a top view thereof; FIG. 8 is a bottom view thereof; FIG. 9 is a top perspective view of the portable cognitive assessment station in an opened position; FIG. 10 is a bottom perspective view thereof; FIG. 11 is a front view thereof; FIG. 12 is a rear view thereof; FIG. 13 is a left side view thereof; FIG. 14 is a right side view thereof; FIG. 15 is a top view thereof; and, FIG. 16 is a bottom view thereof.

1 Claim, 9 Drawing Sheets



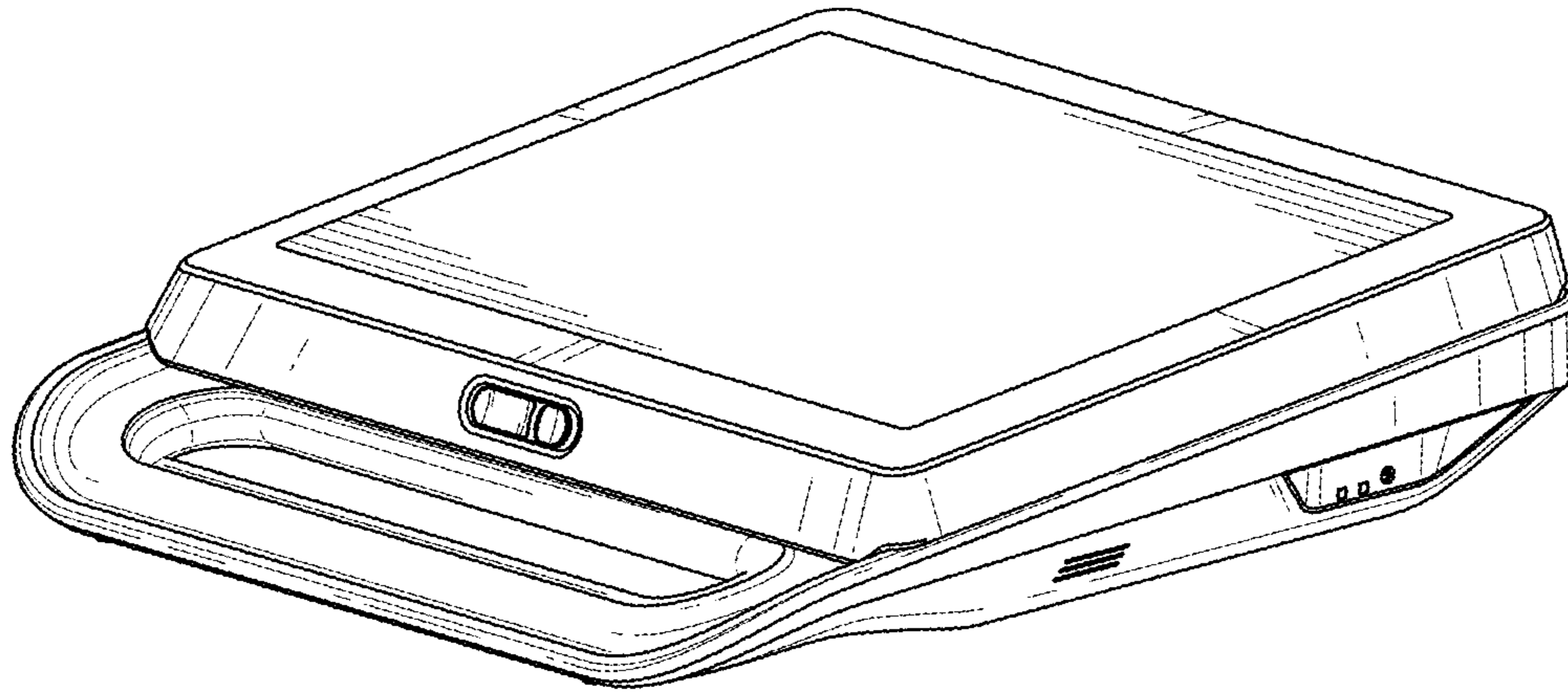


FIG. 1

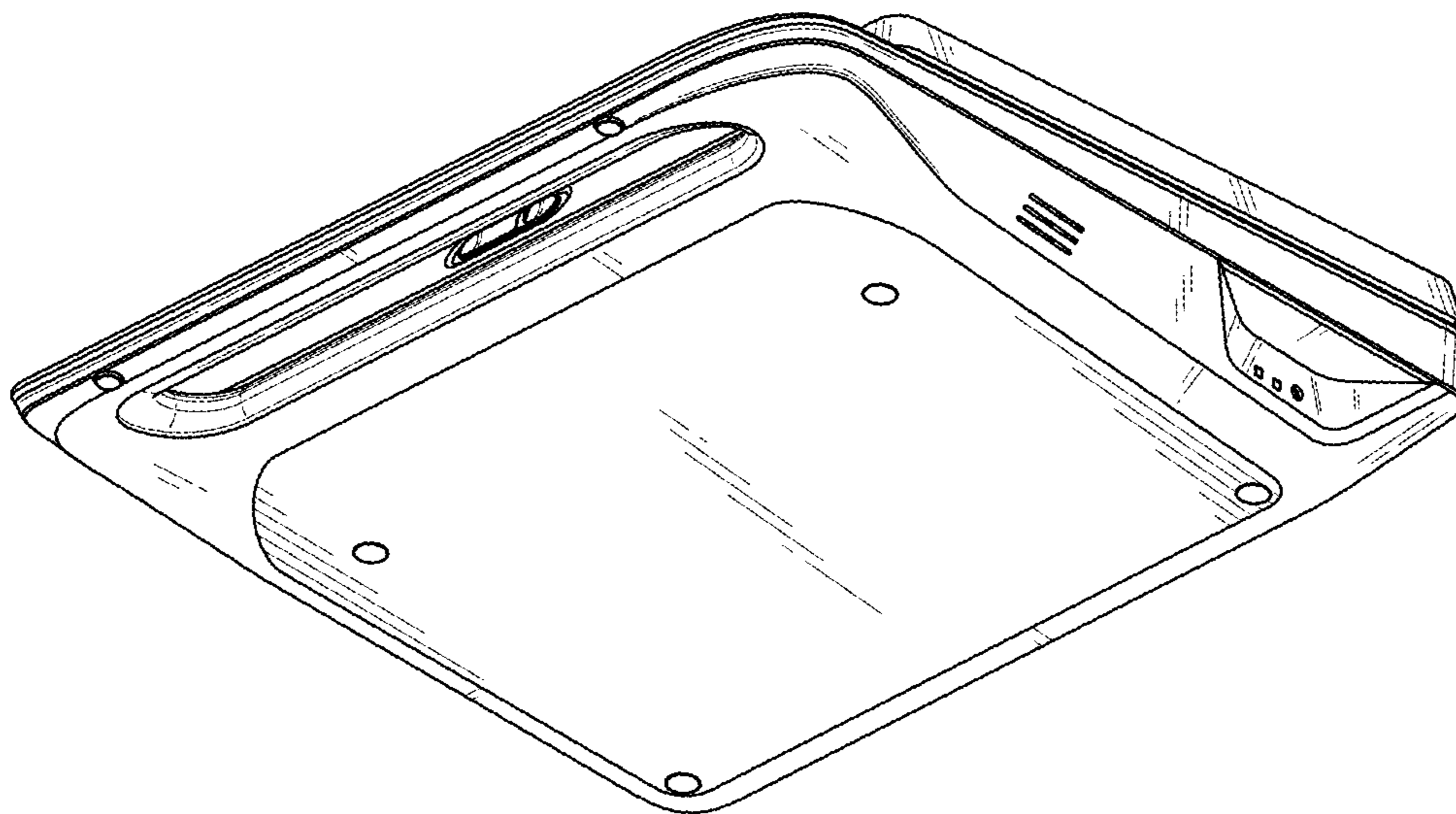


FIG. 2

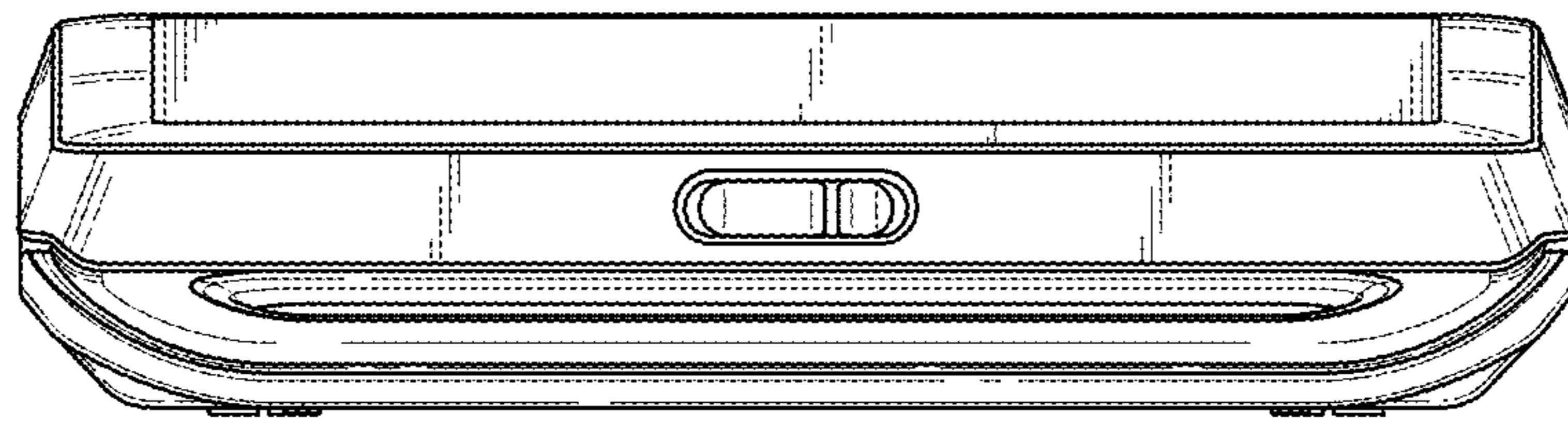


FIG. 3

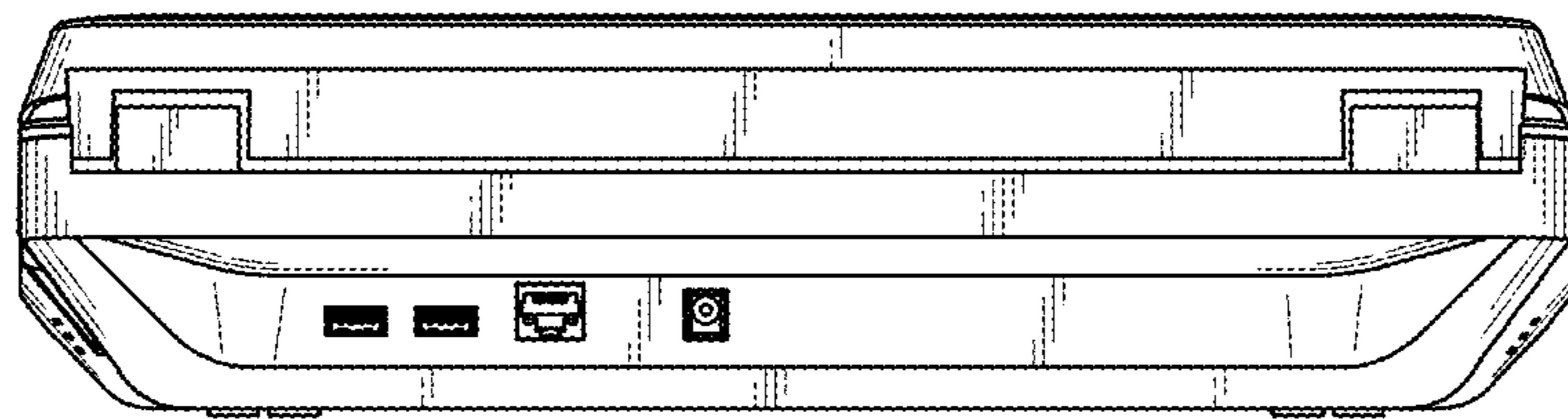


FIG. 4

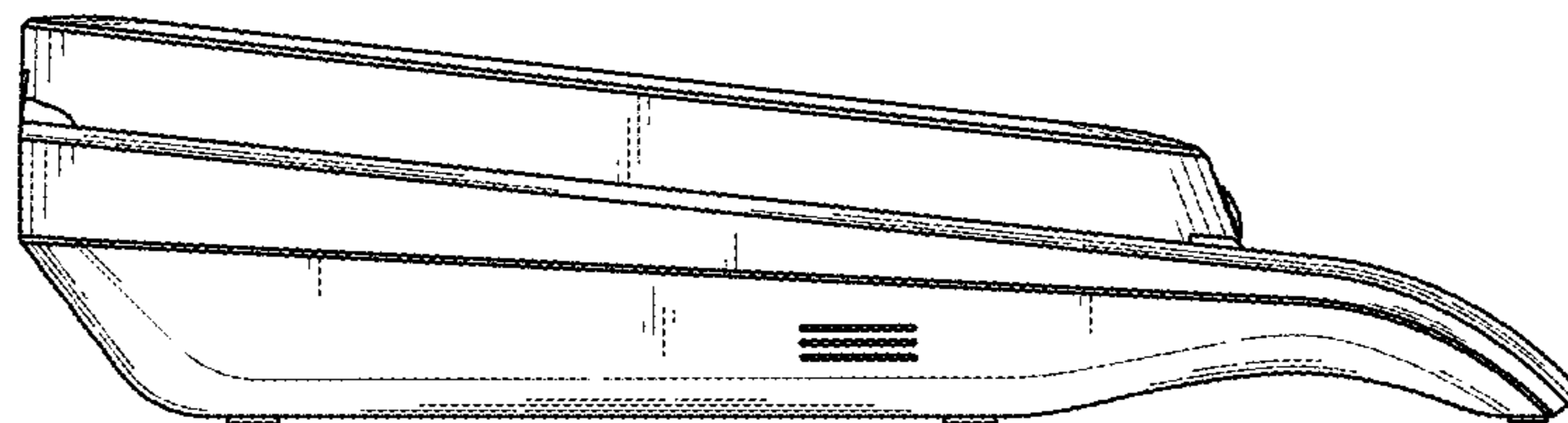


FIG. 5

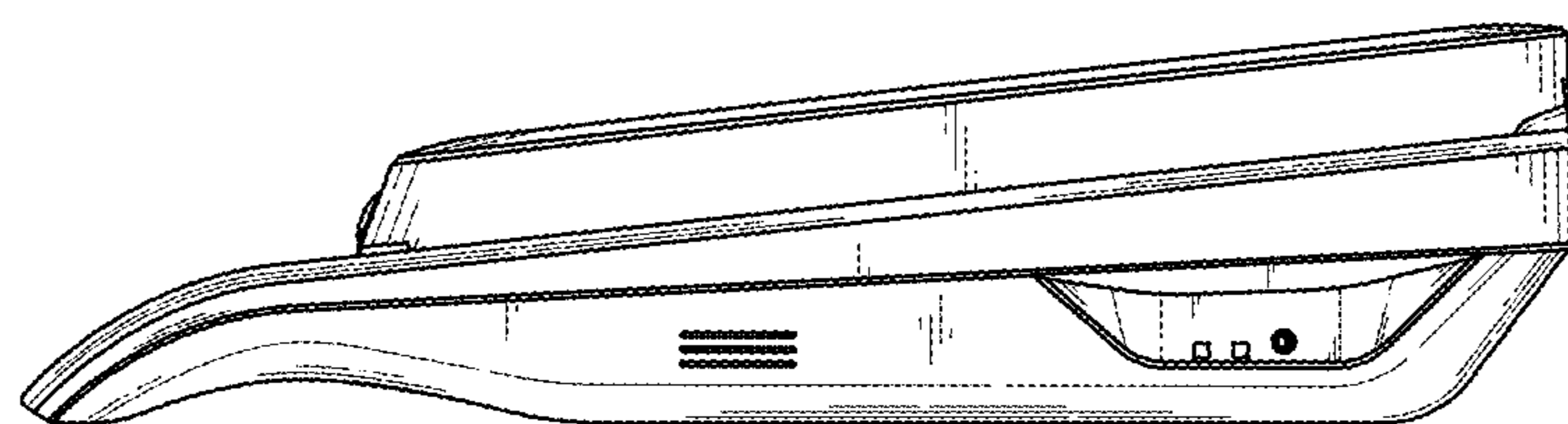


FIG. 6

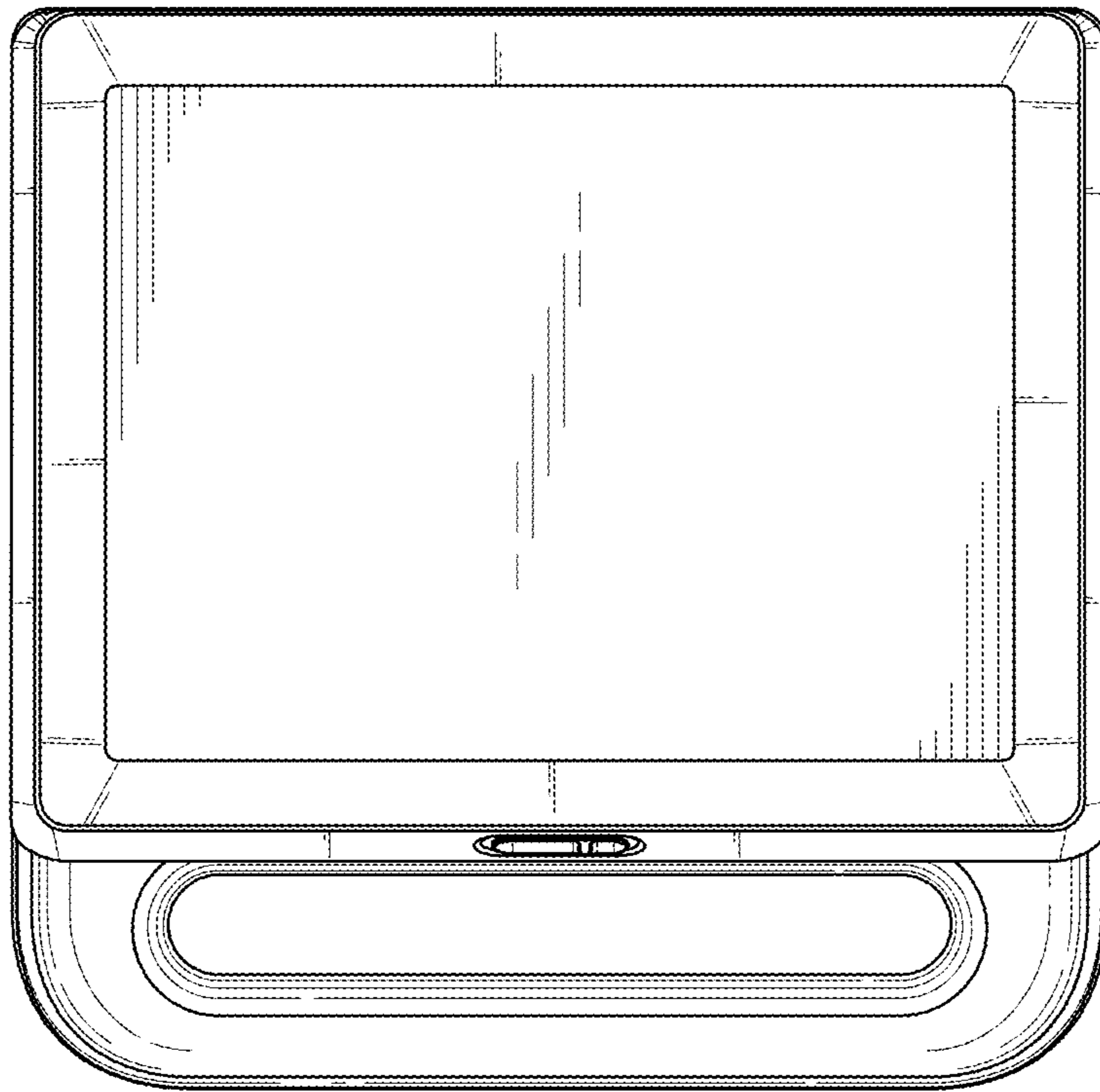


FIG. 7

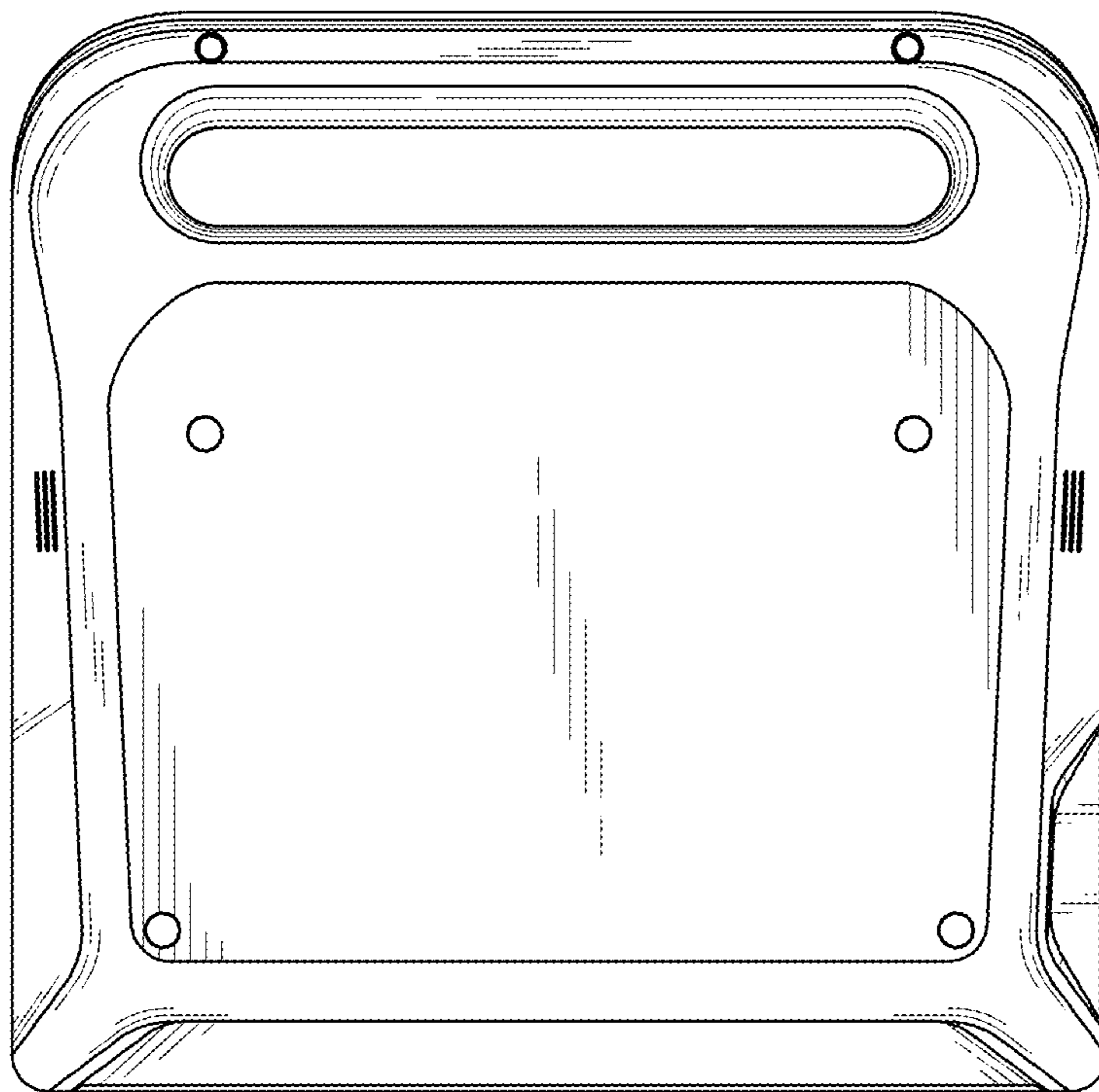


FIG. 8

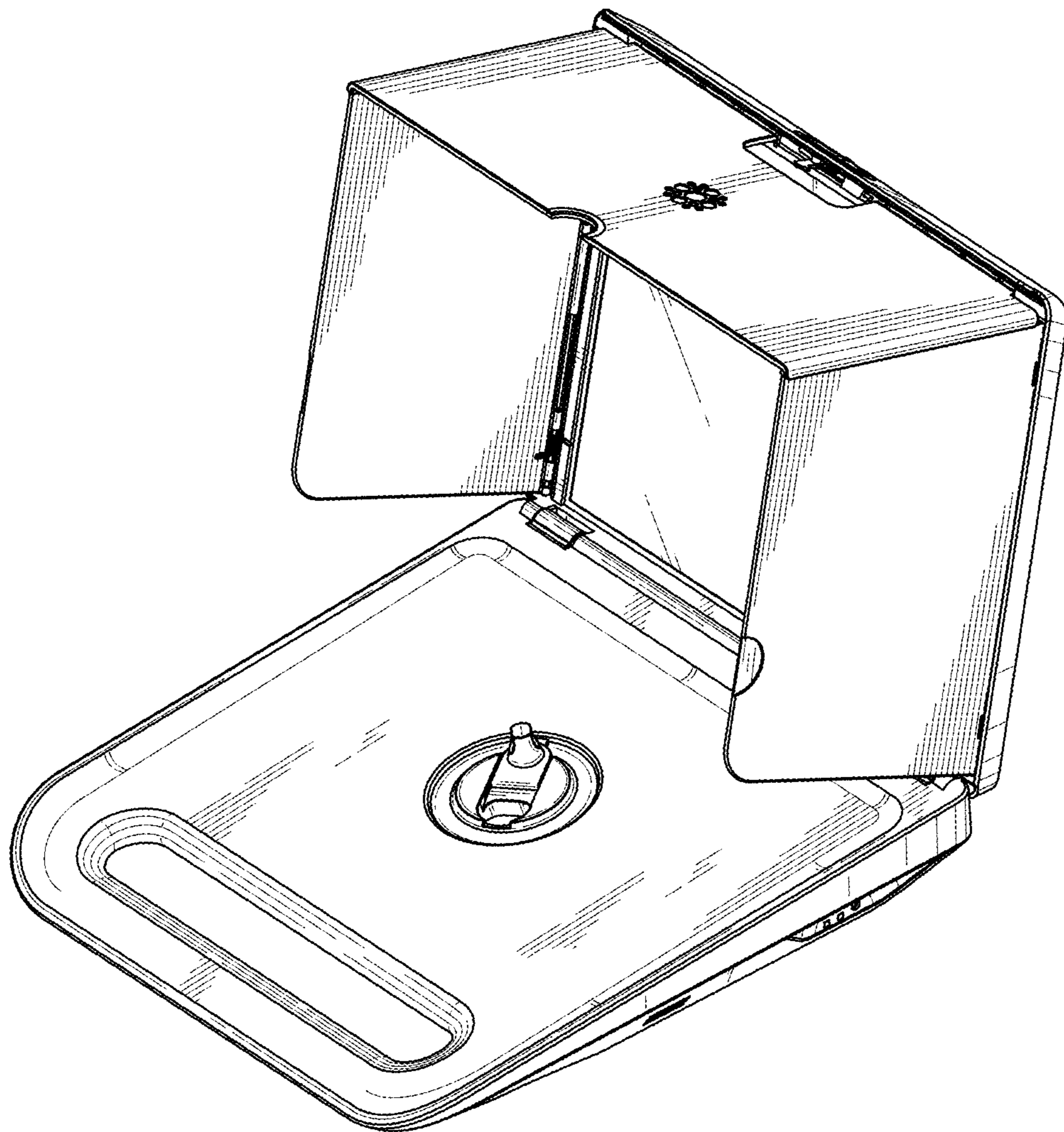


FIG. 9

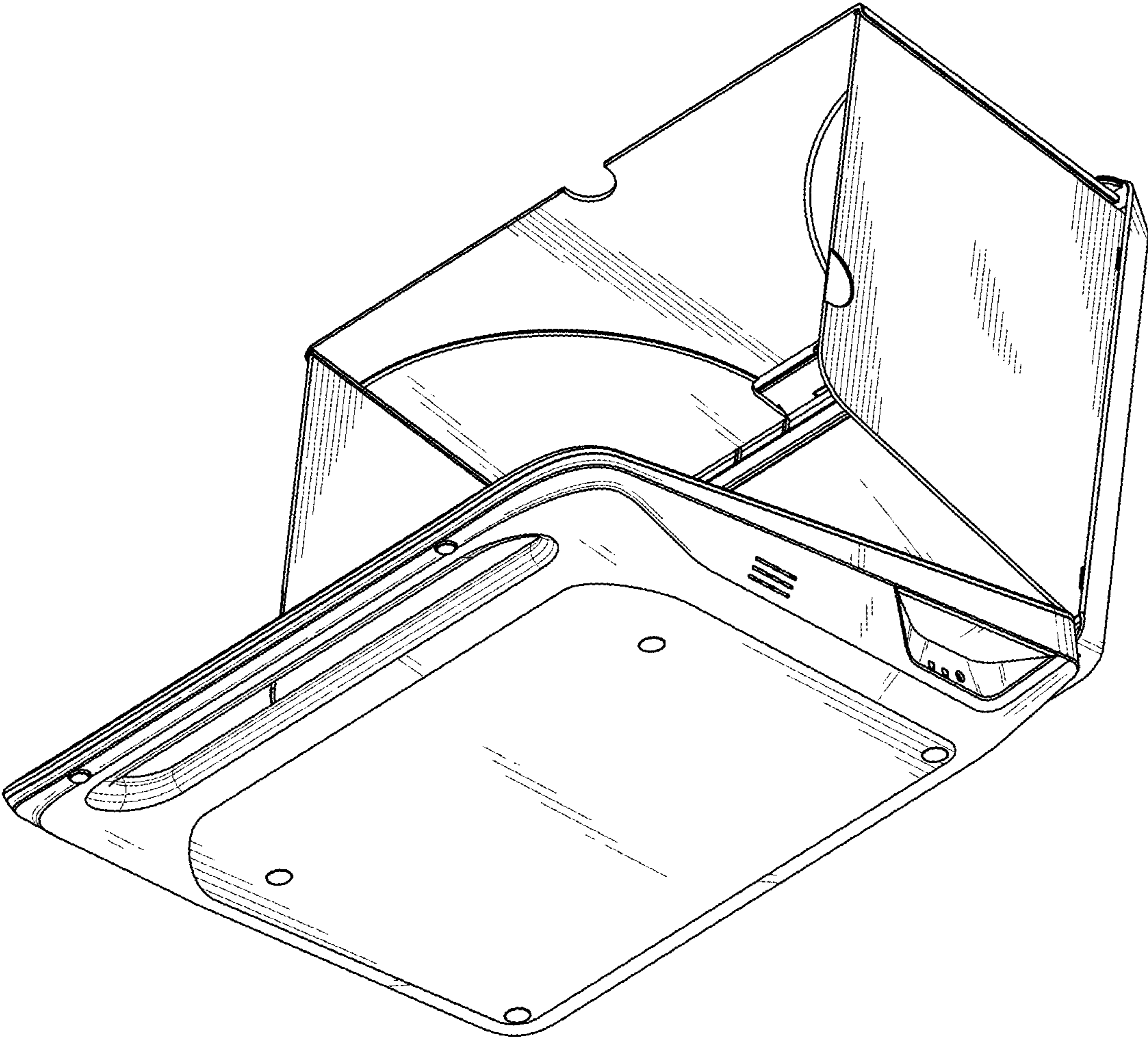


FIG. 10

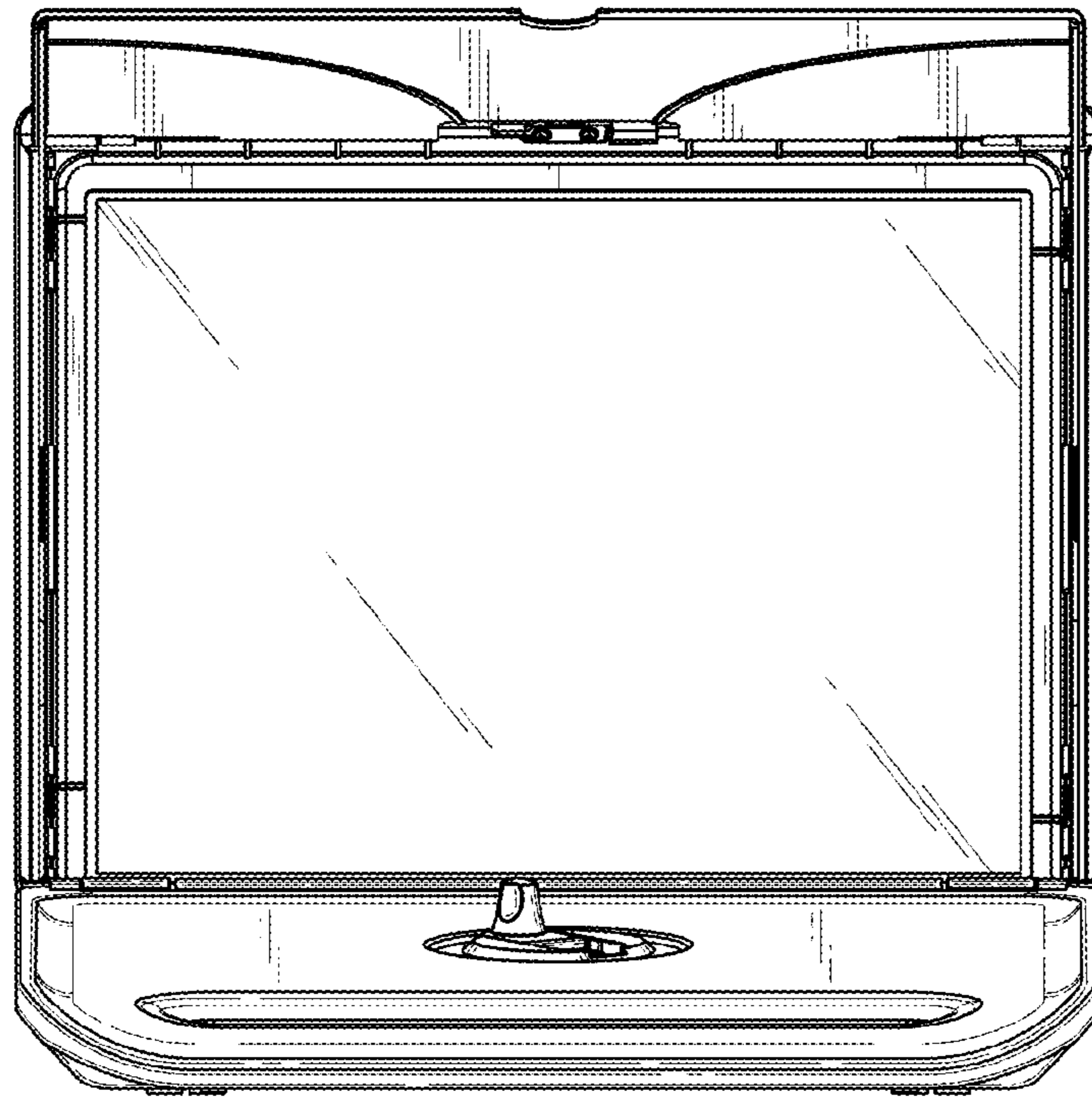


FIG. 11

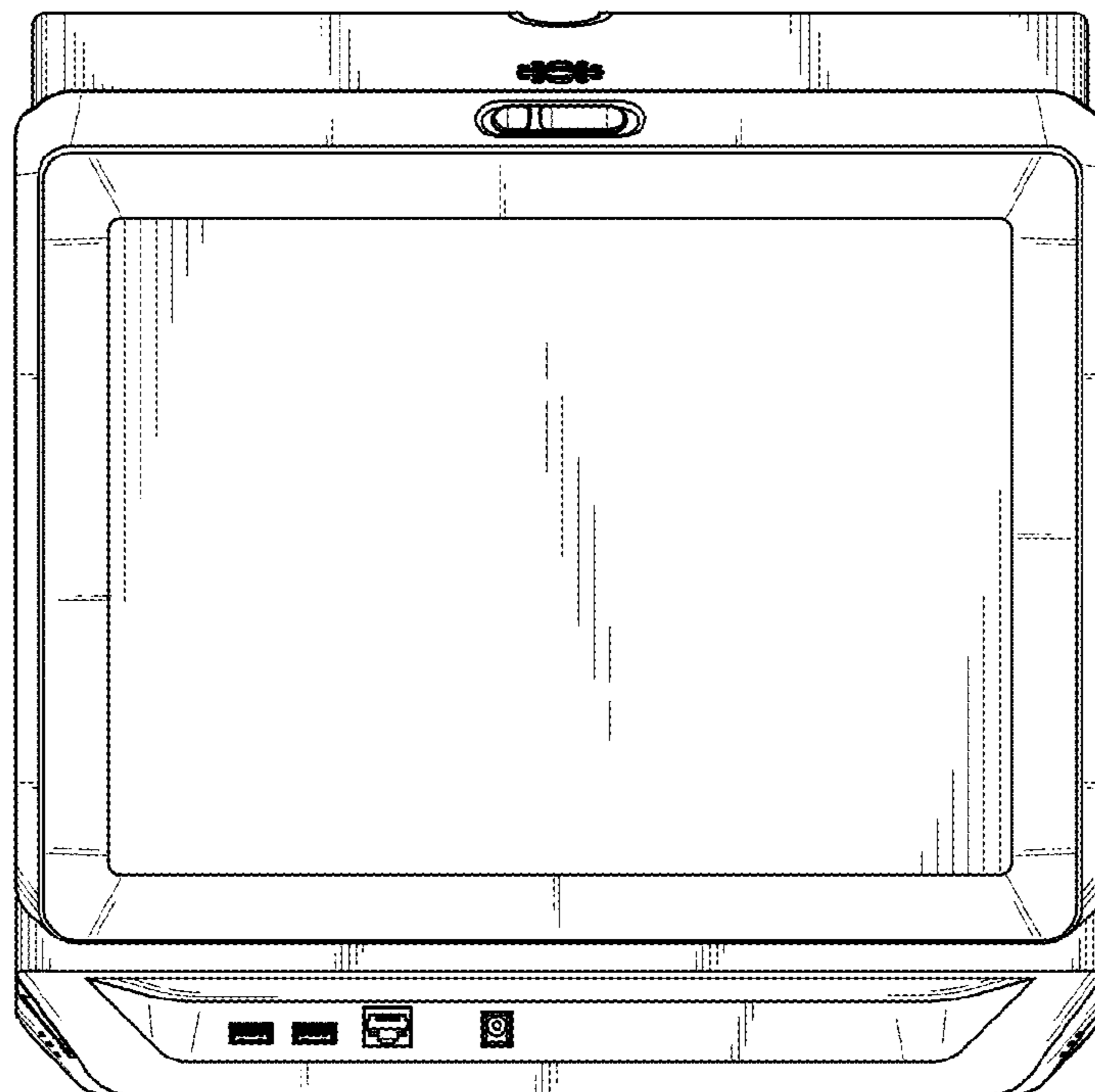


FIG. 12

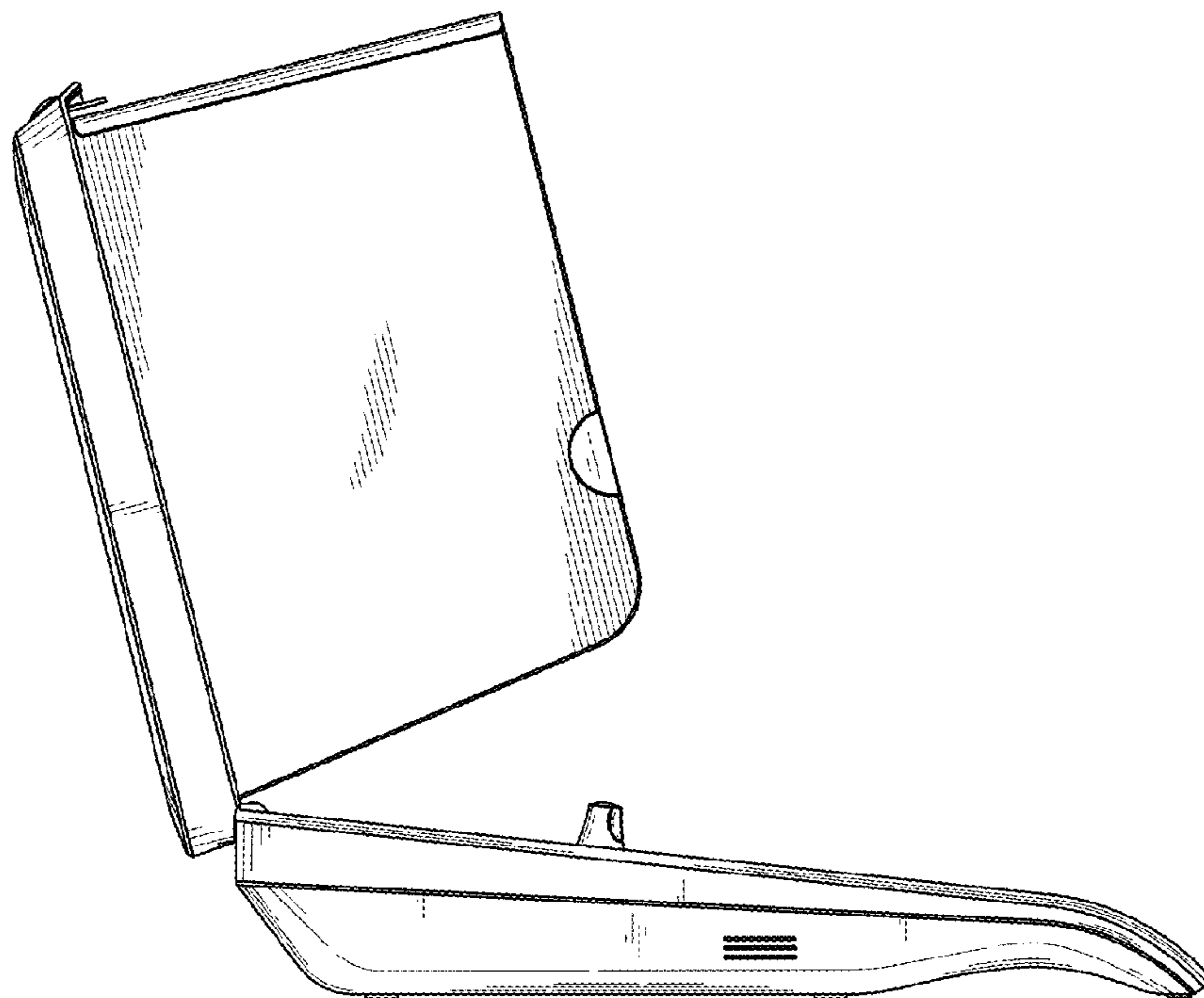


FIG. 13

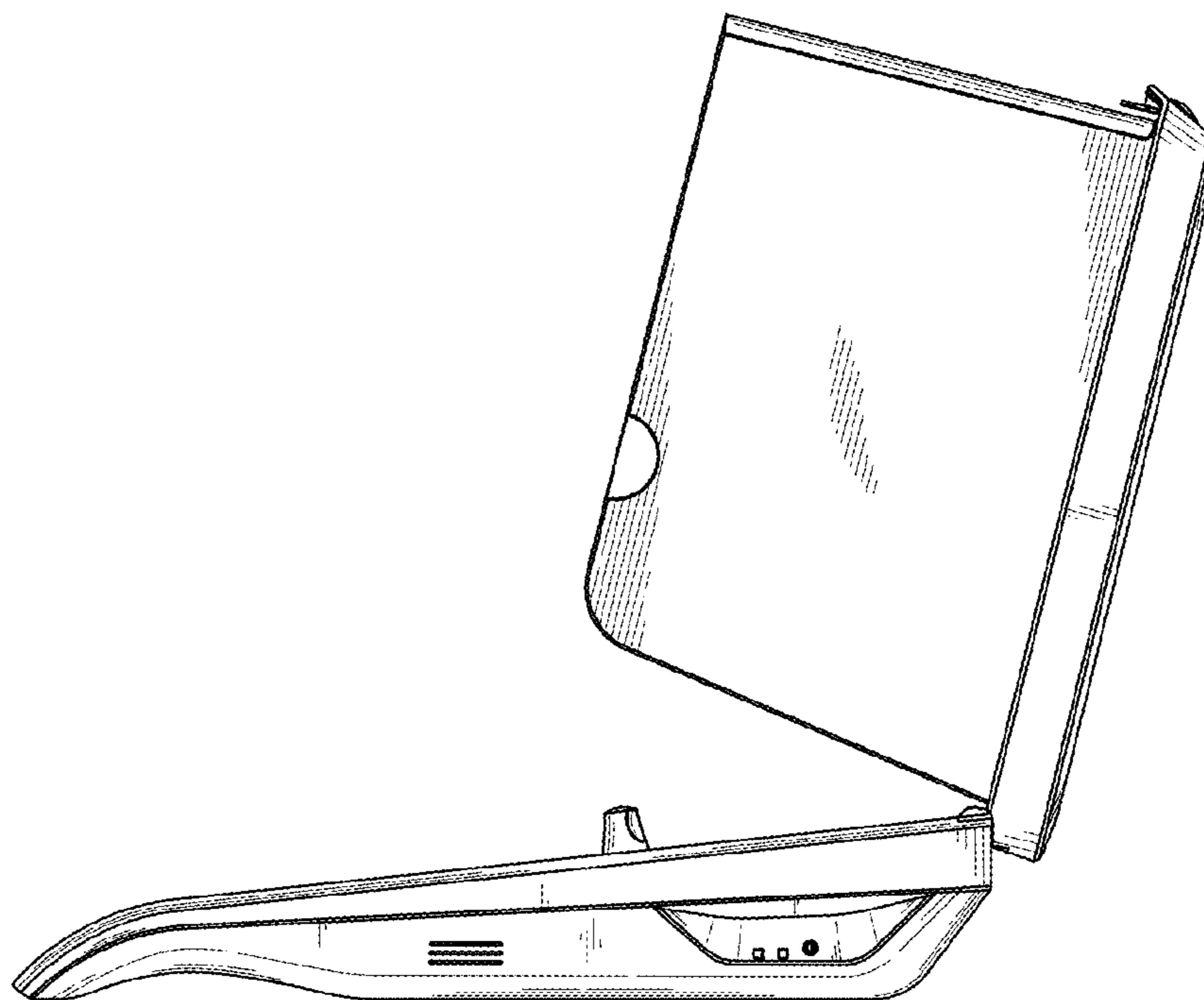


FIG. 14

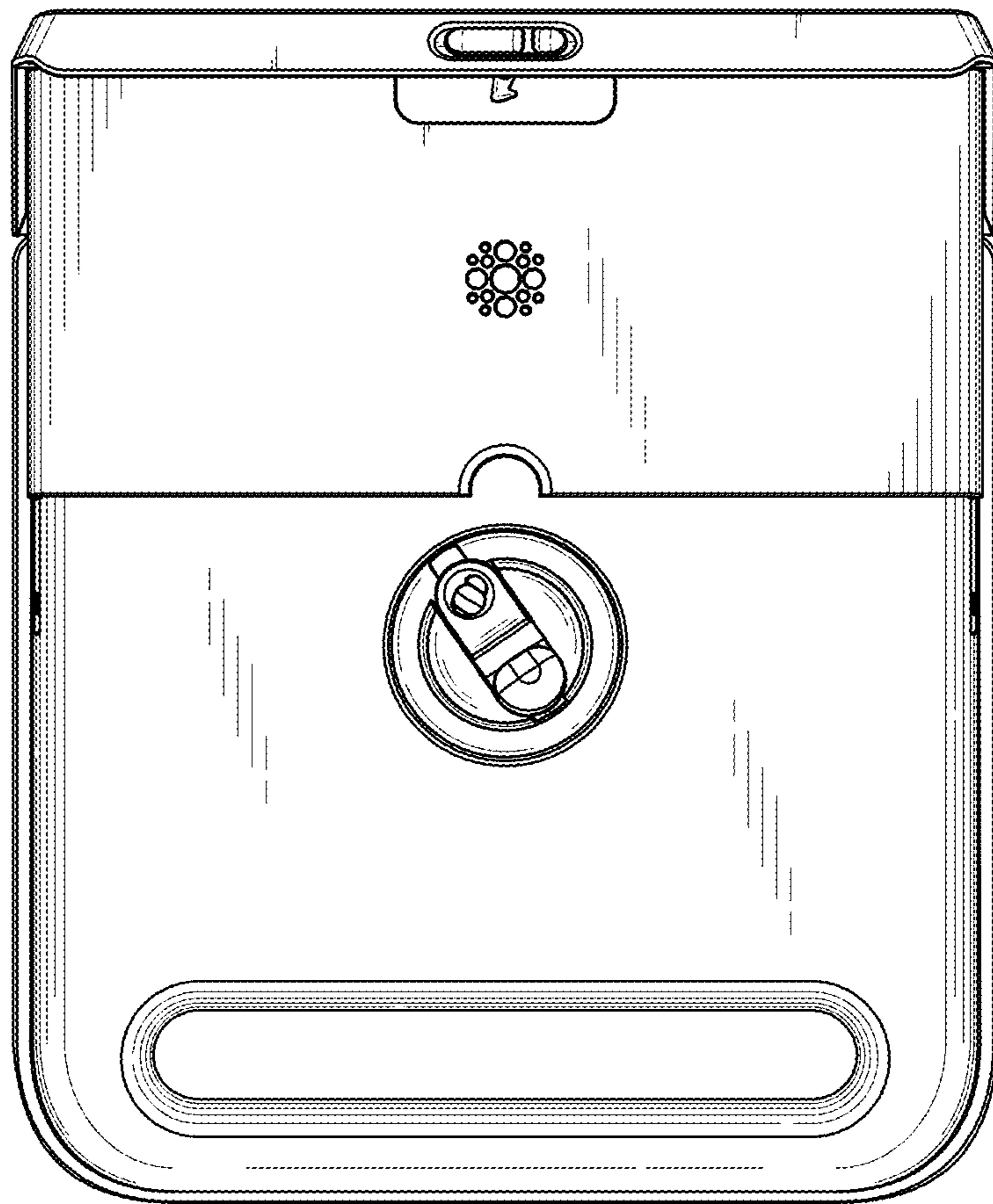


FIG. 15

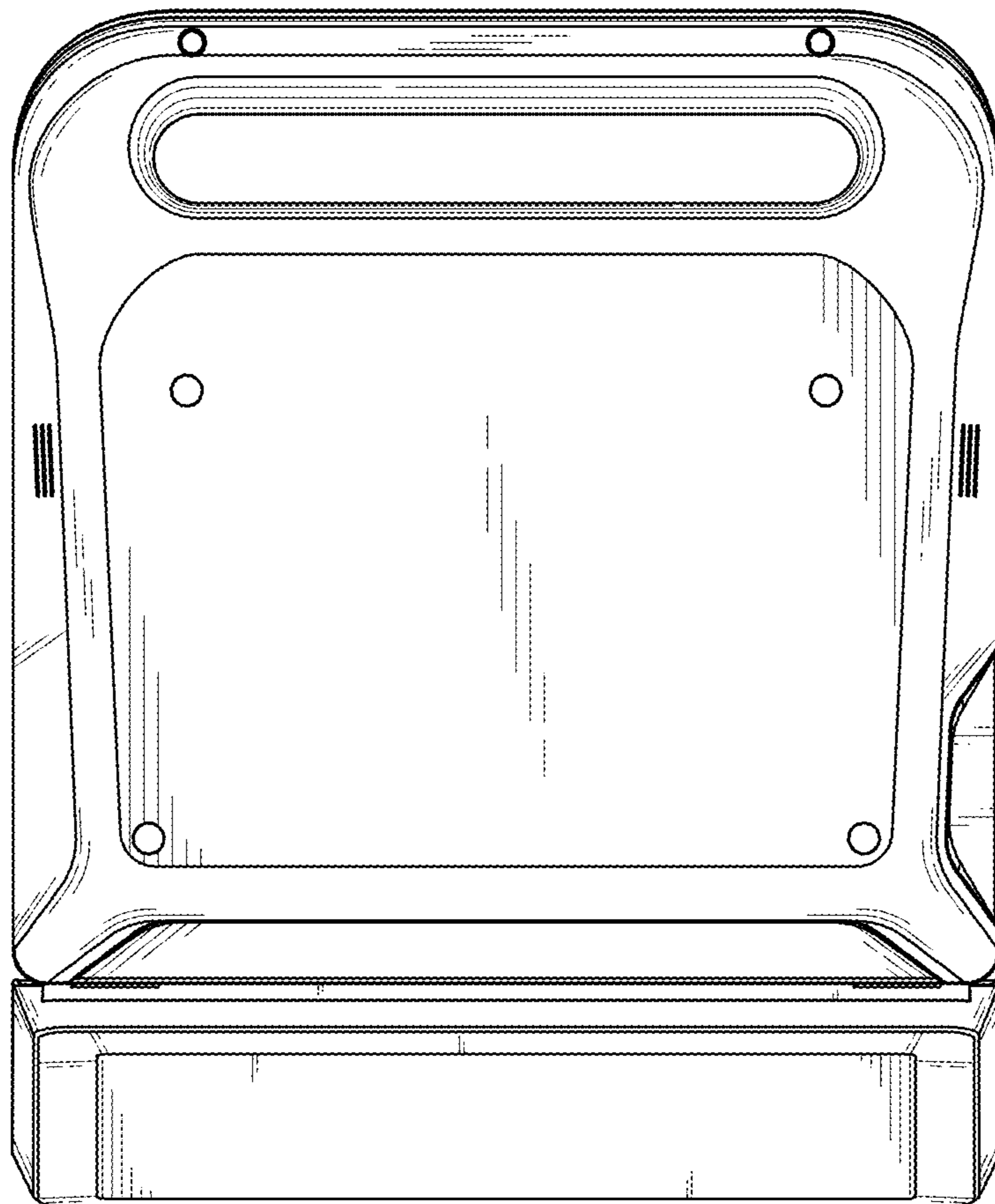


FIG. 16