



US00D942020S

(12) **United States Design Patent** (10) **Patent No.:** **US D942,020 S**  
**De Klein et al.** (45) **Date of Patent:** **\*\* Jan. 25, 2022**

(54) **SKIN MEASUREMENT DEVICE**  
(71) Applicant: **KONINKLIJKE PHILIPS N.V.**,  
Eindhoven (NL)  
(72) Inventors: **Nicole Louisa De Klein**, Amsterdam  
(NL); **Agustina Cociffi**, Amsterdam  
(NL)  
(73) Assignee: **KONINKLIJKE PHILIPS N.V.**,  
Eindhoven (NL)  
(\*\*) Term: **15 Years**  
(21) Appl. No.: **29/709,492**  
(22) Filed: **Oct. 15, 2019**  
(51) **LOC (13) Cl.** ..... **24-02**  
(52) **U.S. Cl.**  
USPC ..... **D24/186; D24/133**  
(58) **Field of Classification Search**  
USPC ..... **D24/186, 187, 200, 209, 210, 214, 133;**  
**D28/144.1; D10/81**  
CPC ... **A61B 5/0531; A61B 5/0533; A61B 5/0537;**  
**A61B 5/0053; A61B 5/0059; A61B**  
**5/0064; A61B 5/0077; A61B 5/0095;**  
**A61B 5/442; A61B 5/443; A61B**  
**2018/0047**  
See application file for complete search history.

D828,925 S \* 9/2018 Levi ..... D24/214  
D844,792 S \* 4/2019 Choe ..... D24/186  
10,448,997 B2 \* 10/2019 Palero ..... A61B 5/0059  
D899,688 S \* 10/2020 Li ..... D24/209  
D912,322 S \* 3/2021 Cociffi ..... D28/44.1  
2020/0390362 A1 \* 12/2020 Westerhof ..... A61B 5/0077

\* cited by examiner

*Primary Examiner* — Anhdao Doan

(57) **CLAIM**

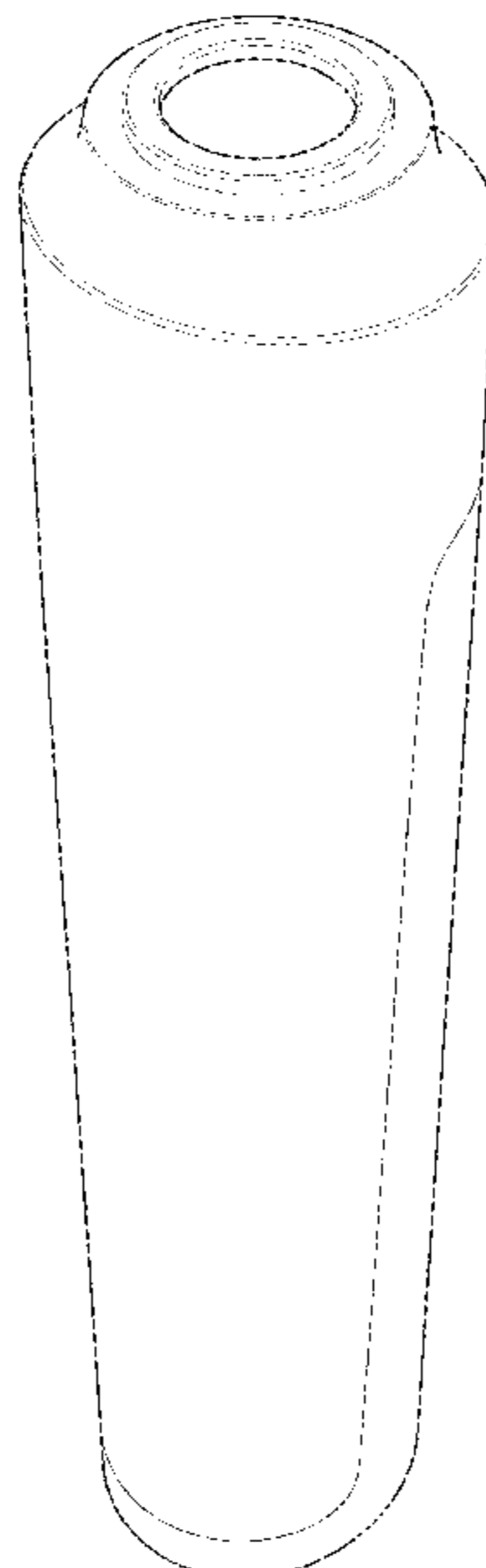
The ornamental design for a skin measurement device, as shown and described.

**DESCRIPTION**

FIG. 1 is a perspective view showing my design;  
FIG. 2 is a front elevational view thereof;  
FIG. 3 is a rear elevational view thereof;  
FIG. 4 is a left side elevational view thereof;  
FIG. 5 is a right side elevational view thereof;  
FIG. 6 is a top plan view thereof;  
FIG. 7 is a bottom plan view thereof;  
FIG. 8 is a perspective view showing my design;  
FIG. 9 is a front elevational view thereof;  
FIG. 10 is a rear elevational view thereof;  
FIG. 11 is a left side elevational view thereof;  
FIG. 12 is a right side elevational view thereof;  
FIG. 13 is a top plan view thereof;  
FIG. 14 is a bottom plan view thereof;  
FIG. 15 is a perspective view showing my design;  
FIG. 16 is a front elevational view thereof;  
FIG. 17 is a rear elevational view thereof;  
FIG. 18 is a left side elevational view thereof;  
FIG. 19 is a right side elevational view thereof;  
FIG. 20 is a top plan view thereof; and,  
FIG. 21 is a bottom plan view thereof.  
The broken lines illustrate portions of the skin measuring device that form no part of the claimed design.

**1 Claim, 18 Drawing Sheets**

(56) **References Cited**  
U.S. PATENT DOCUMENTS  
6,251,070 B1 \* 6/2001 Khazaka ..... A61B 5/0059  
600/306  
D576,285 S \* 9/2008 Kennedy ..... D24/209  
D621,949 S \* 8/2010 Seki ..... D24/209  
D635,271 S \* 3/2011 Azar ..... D24/209  
D655,012 S \* 2/2012 Nanda ..... D24/176  
D707,839 S \* 6/2014 Bradley ..... D24/209  
D721,503 S \* 1/2015 De Klein ..... D4/102



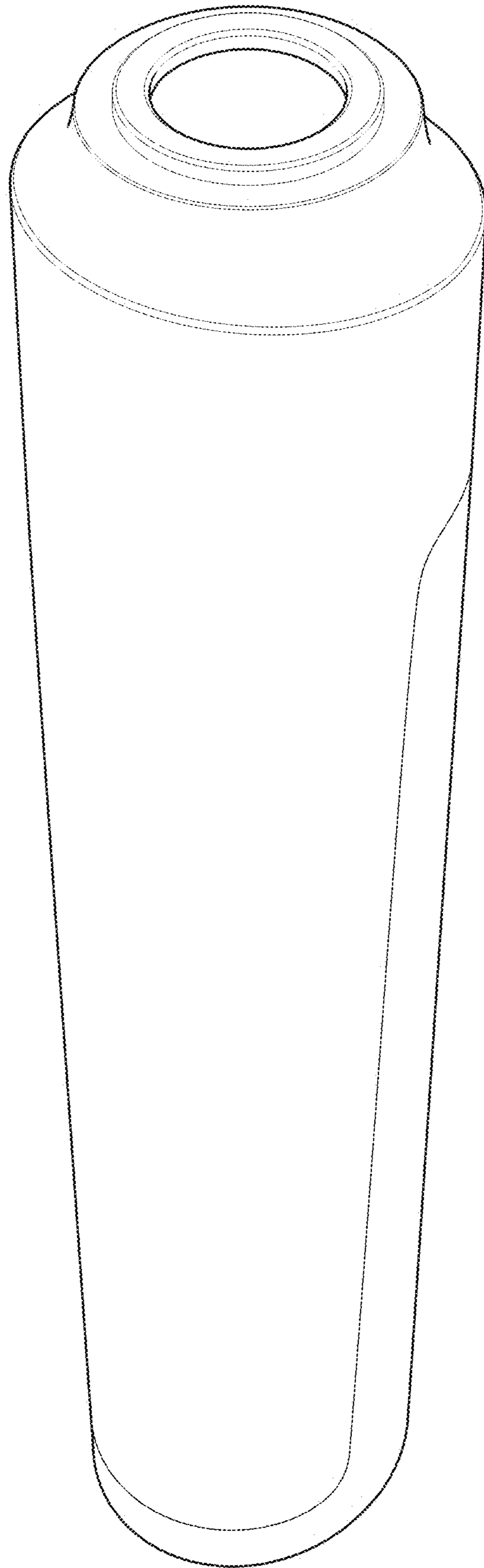


FIG. 1

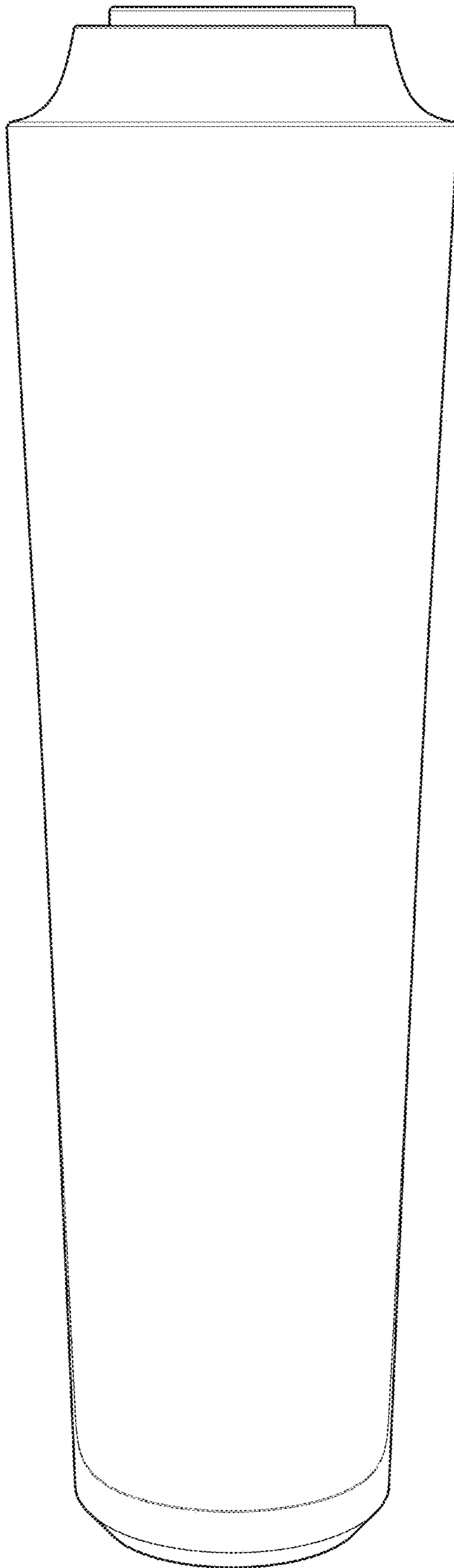


FIG. 2

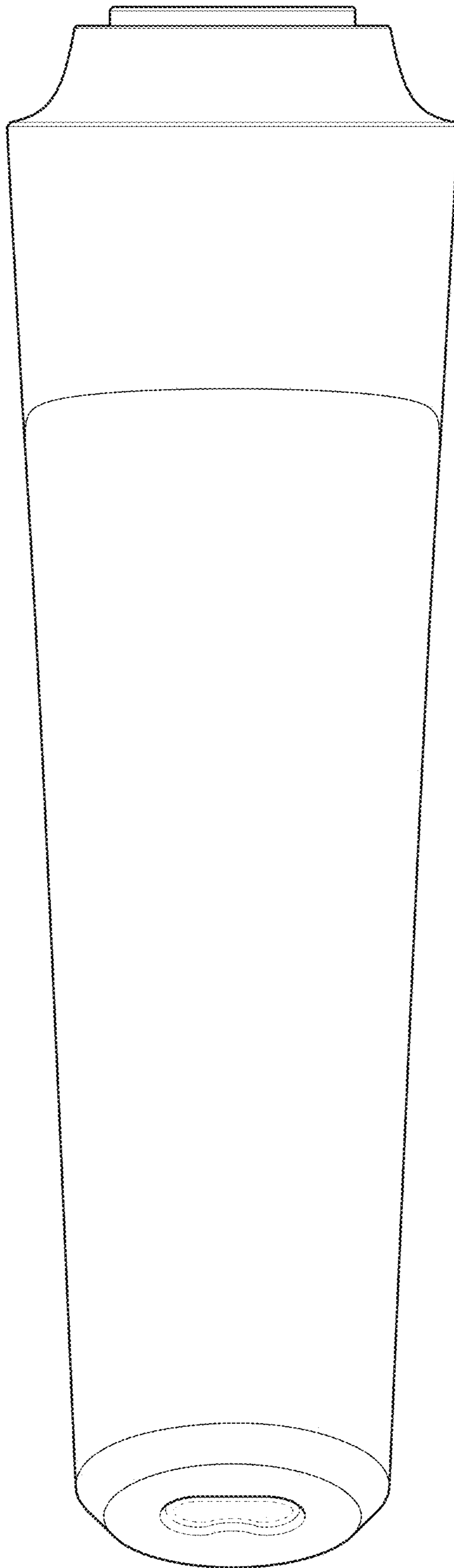


FIG. 3

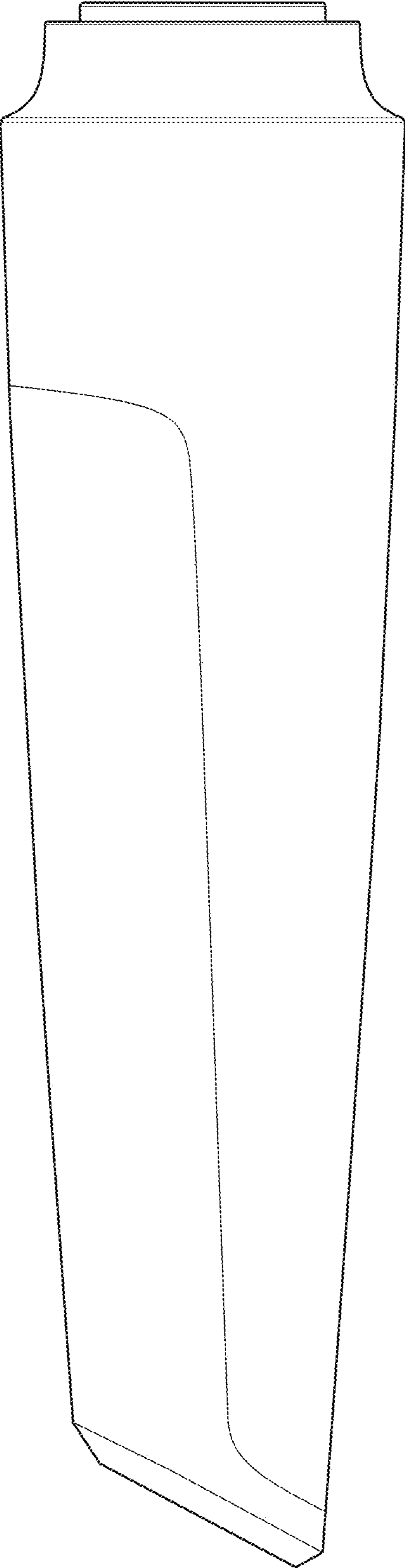


FIG. 4

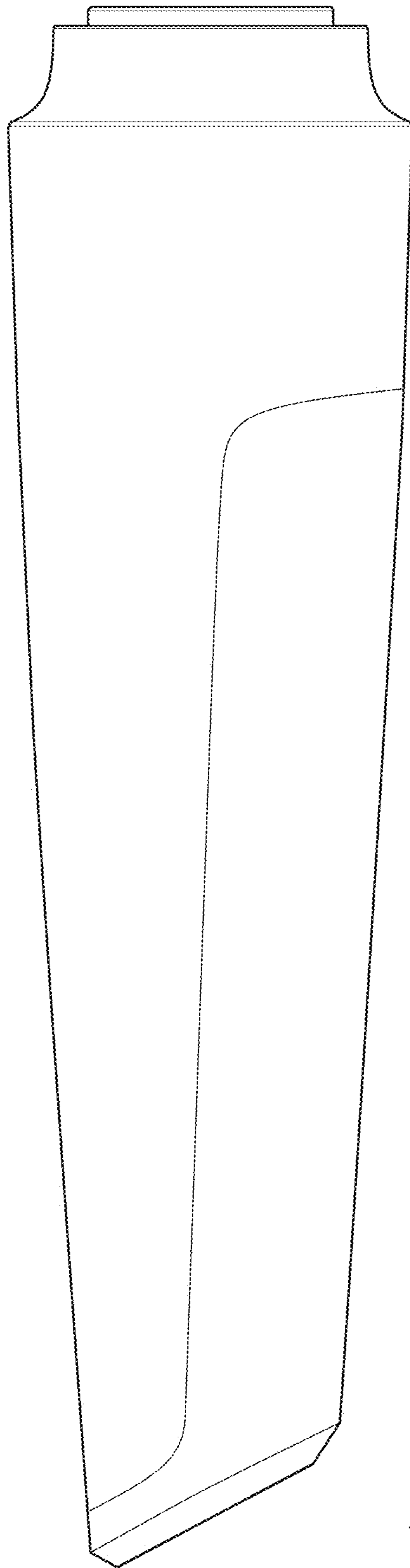


FIG. 5

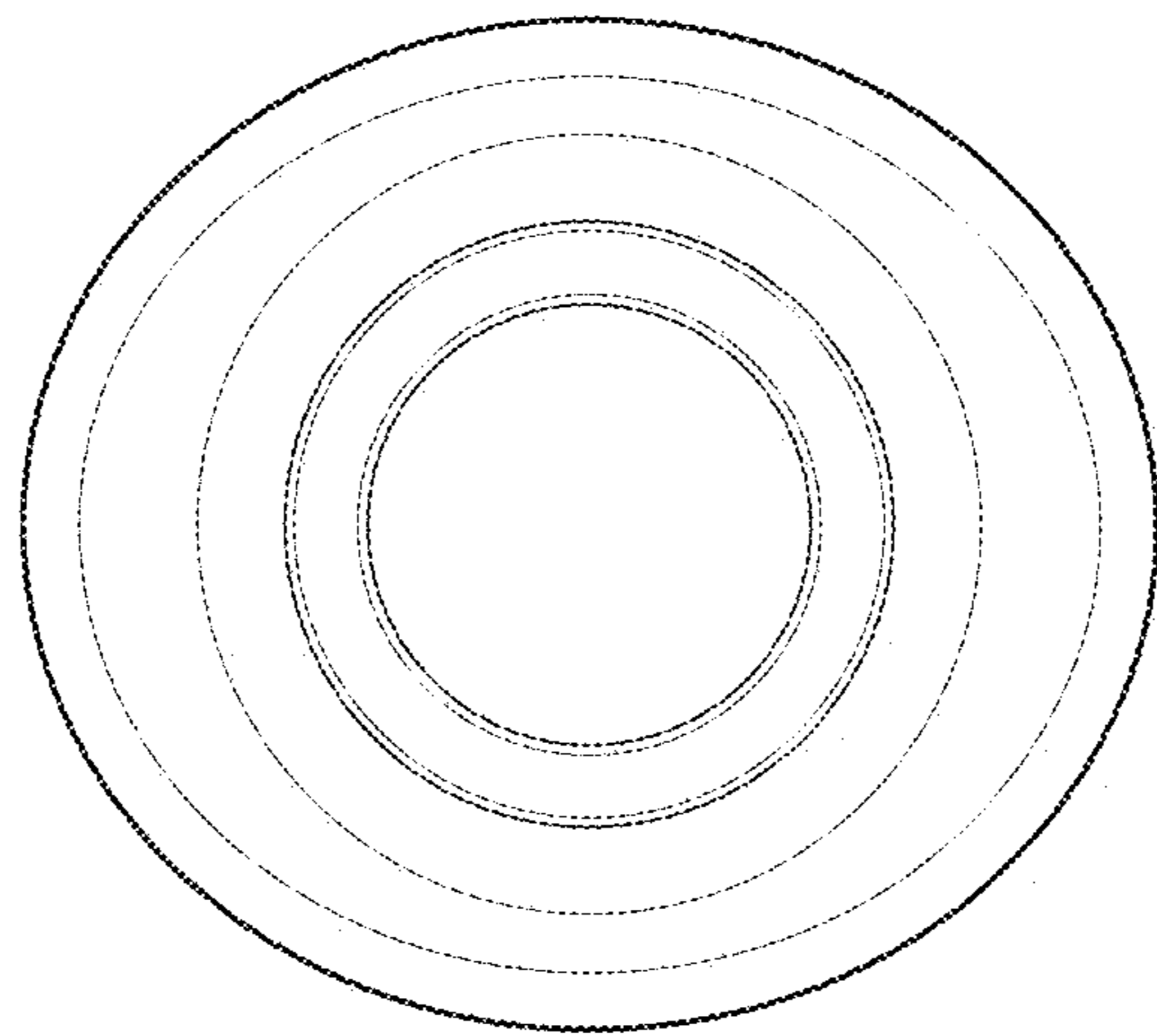


FIG. 6

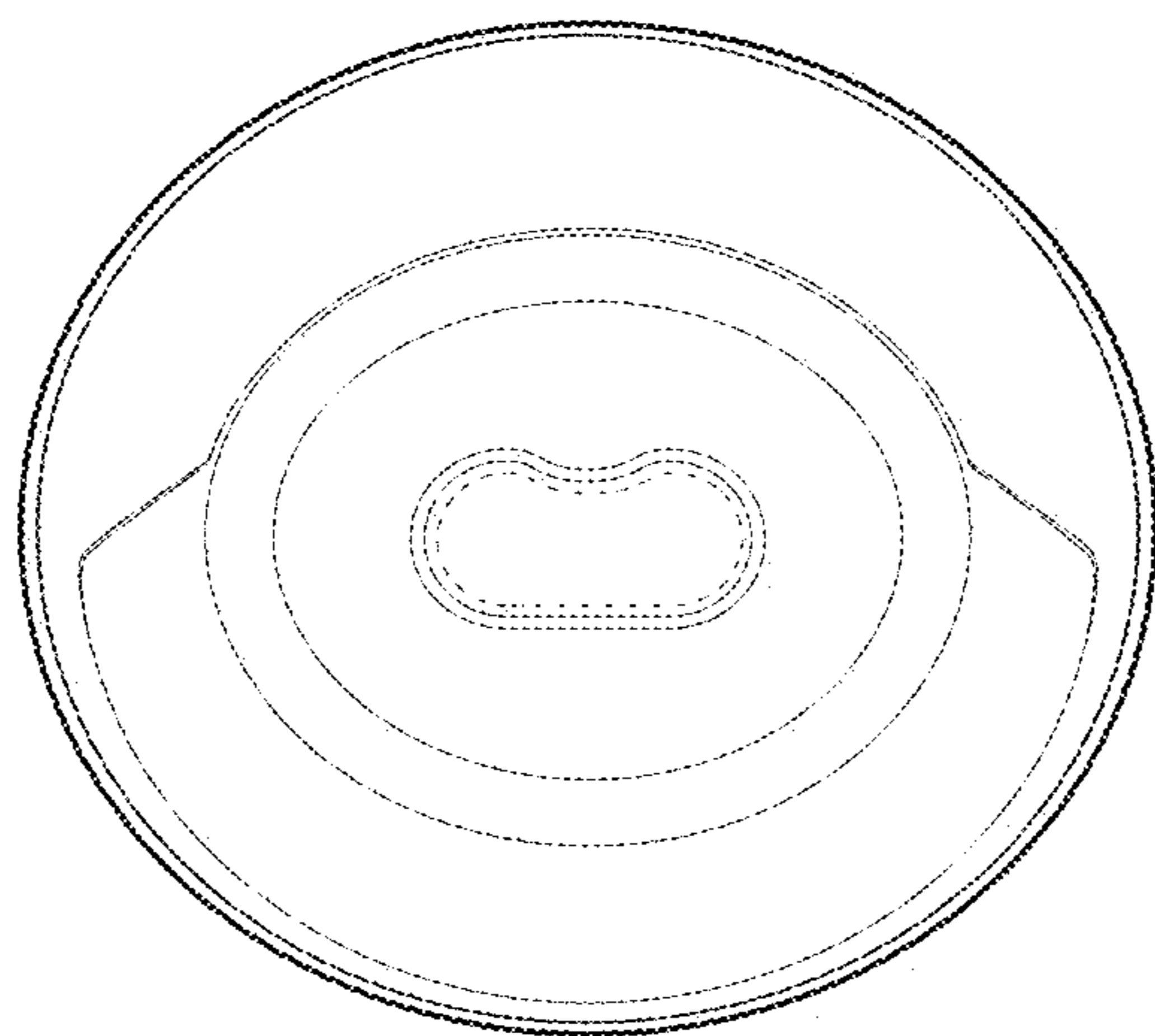


FIG. 7



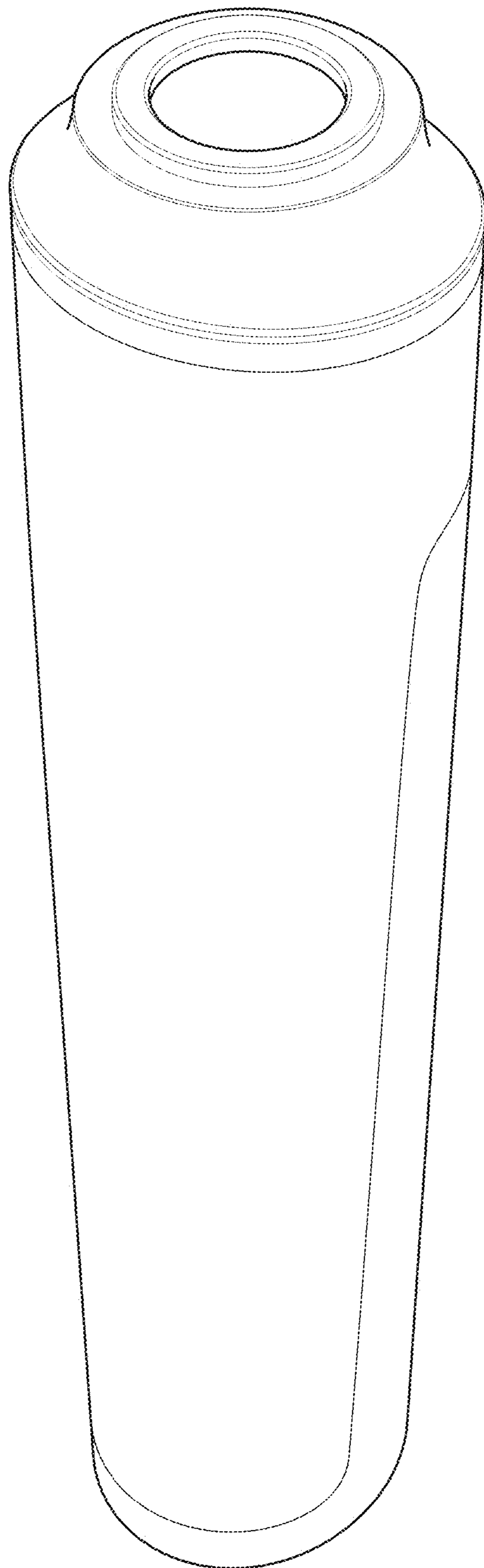


FIG. 8



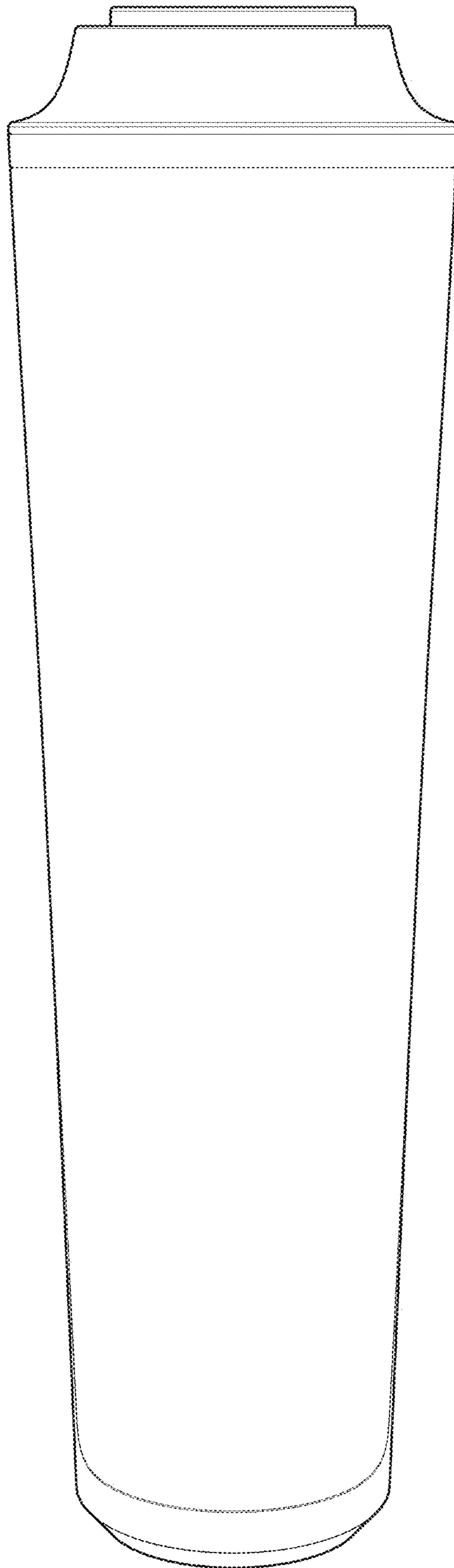


FIG. 9

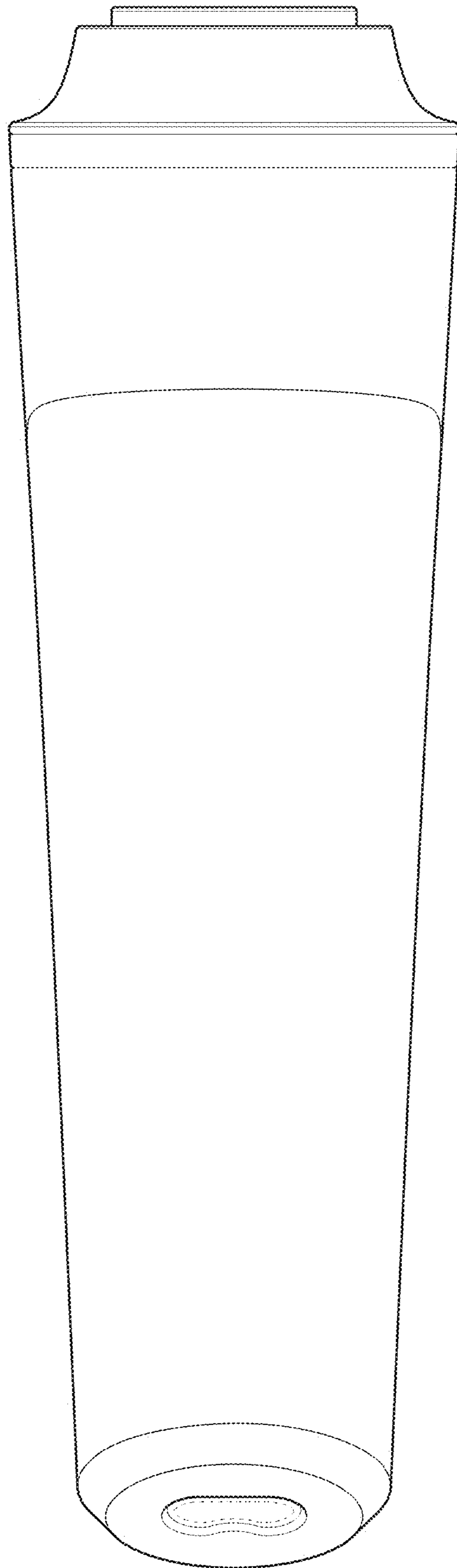


FIG. 10

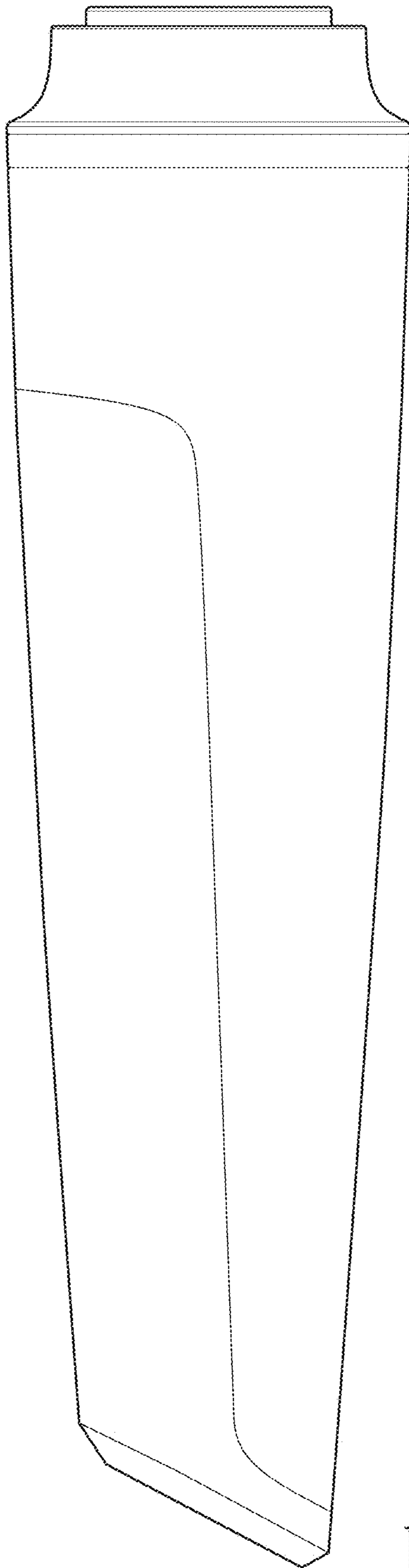


FIG. 11

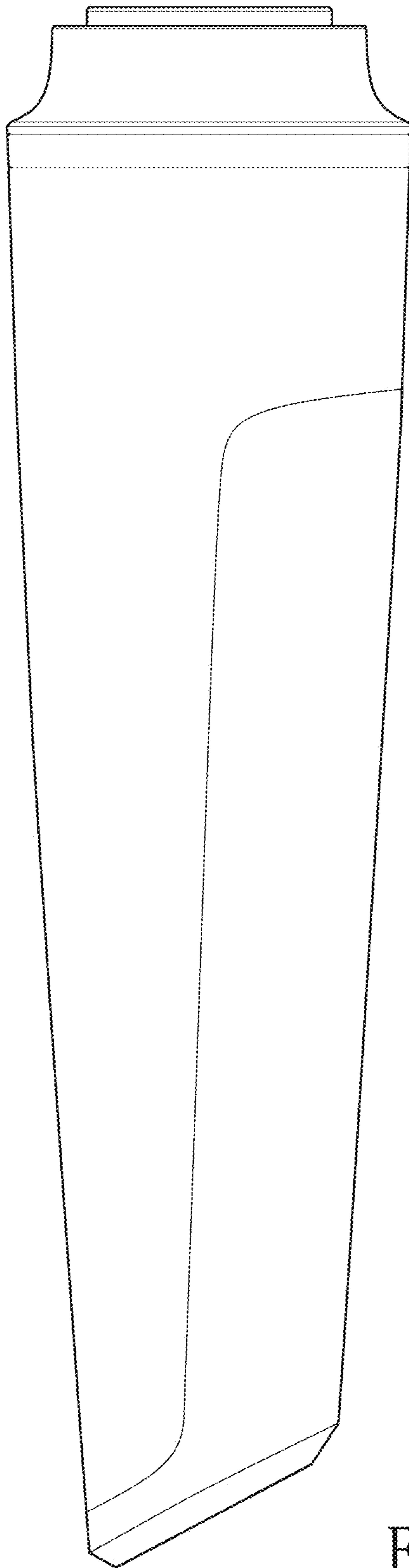


FIG. 12

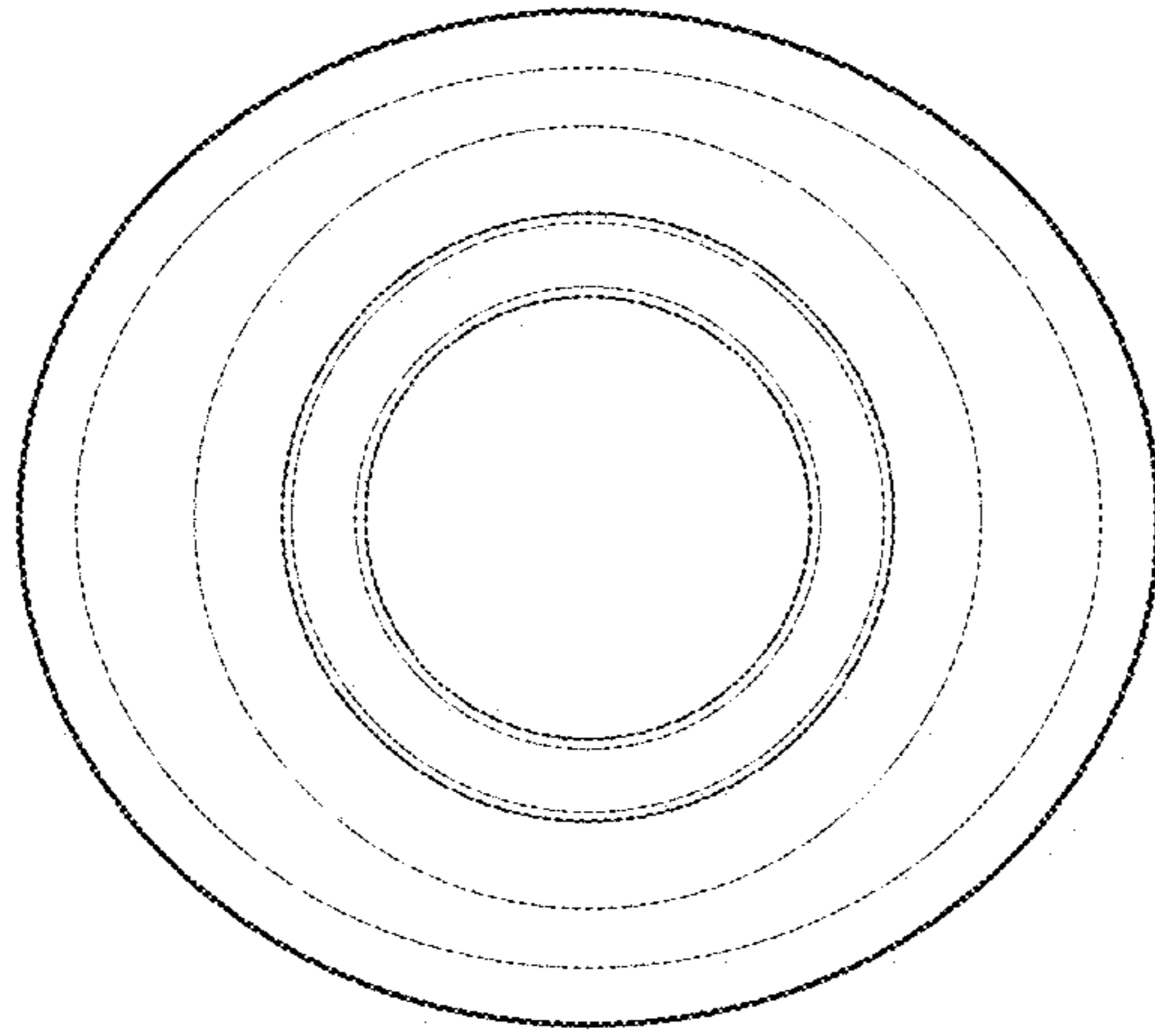


FIG. 13

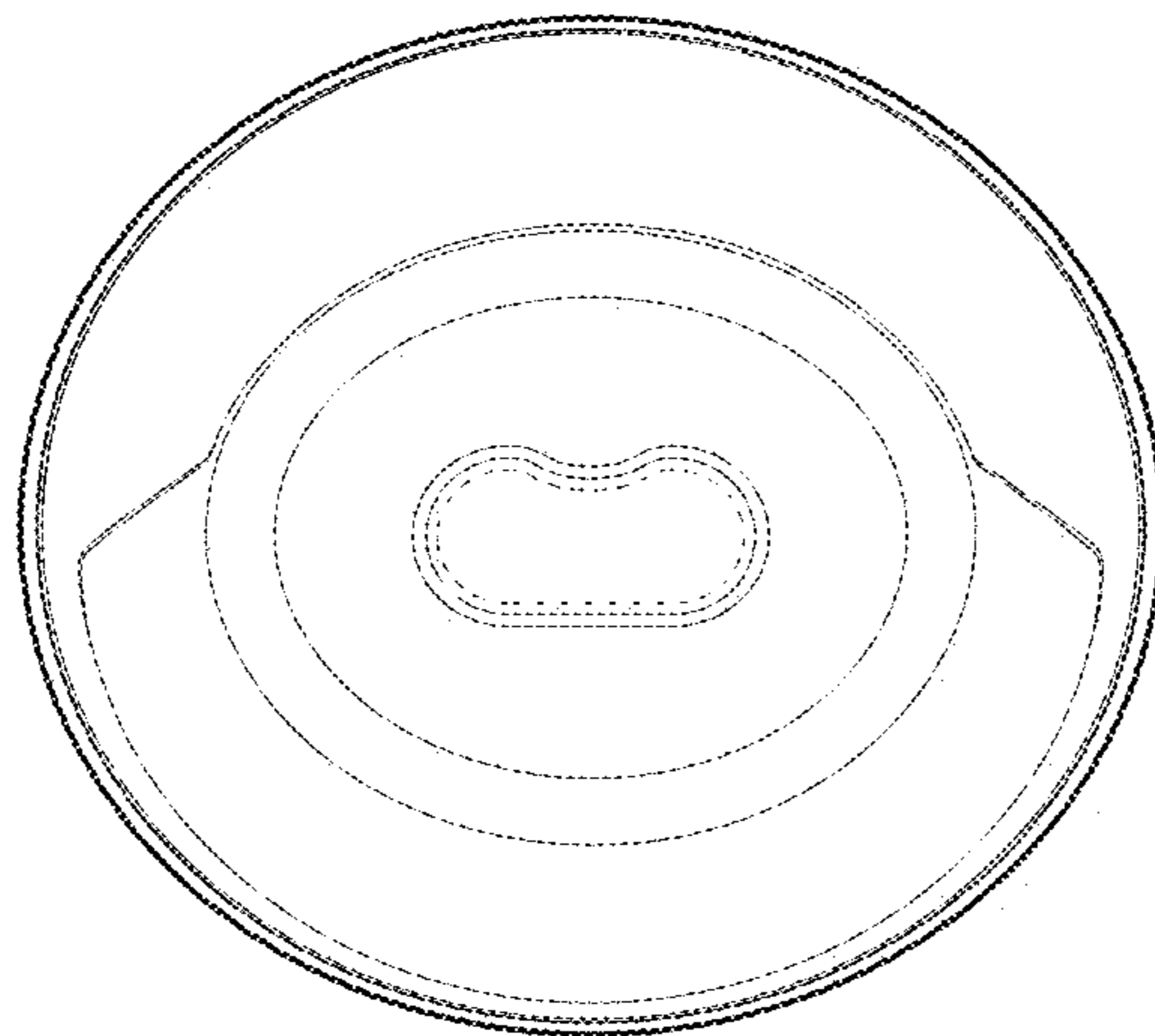


FIG. 14

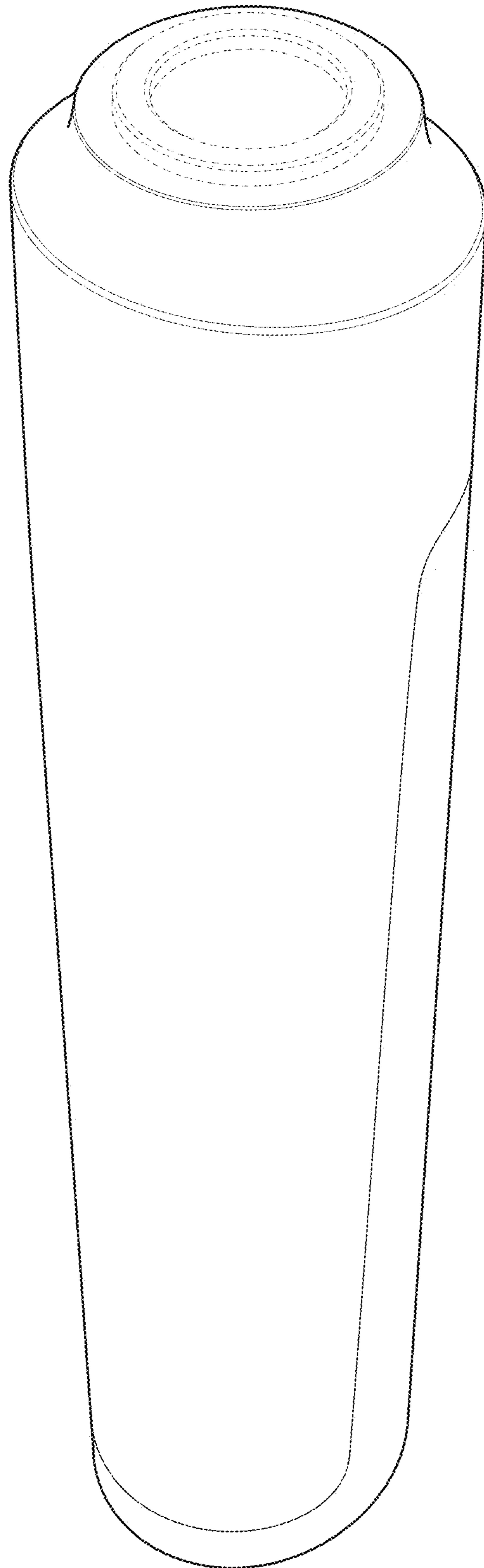


FIG. 15

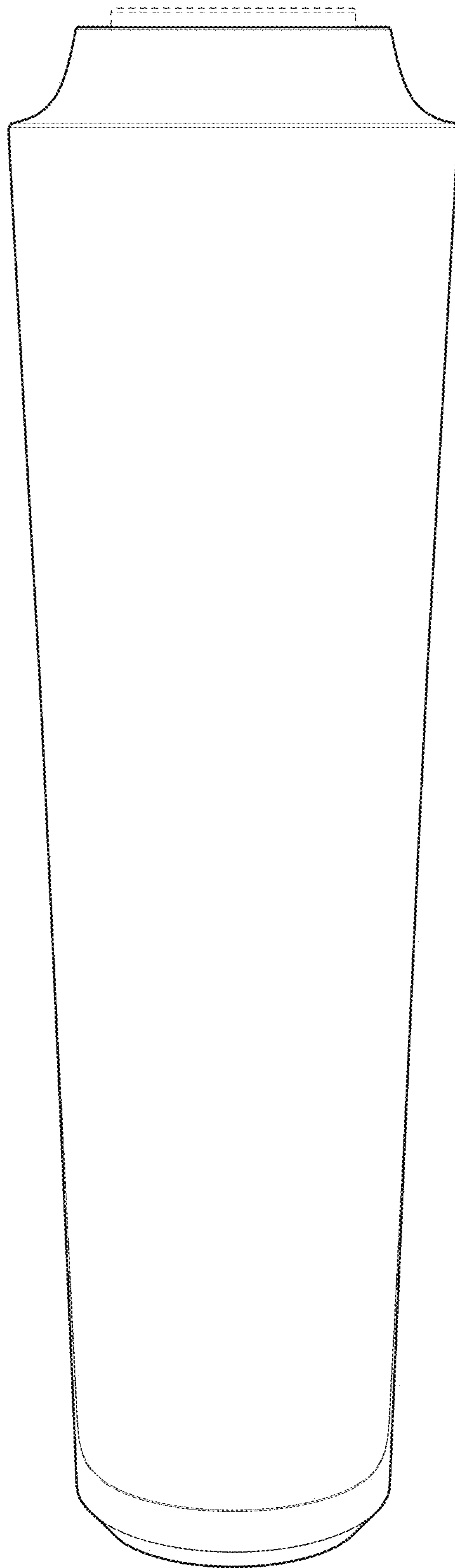


FIG. 16



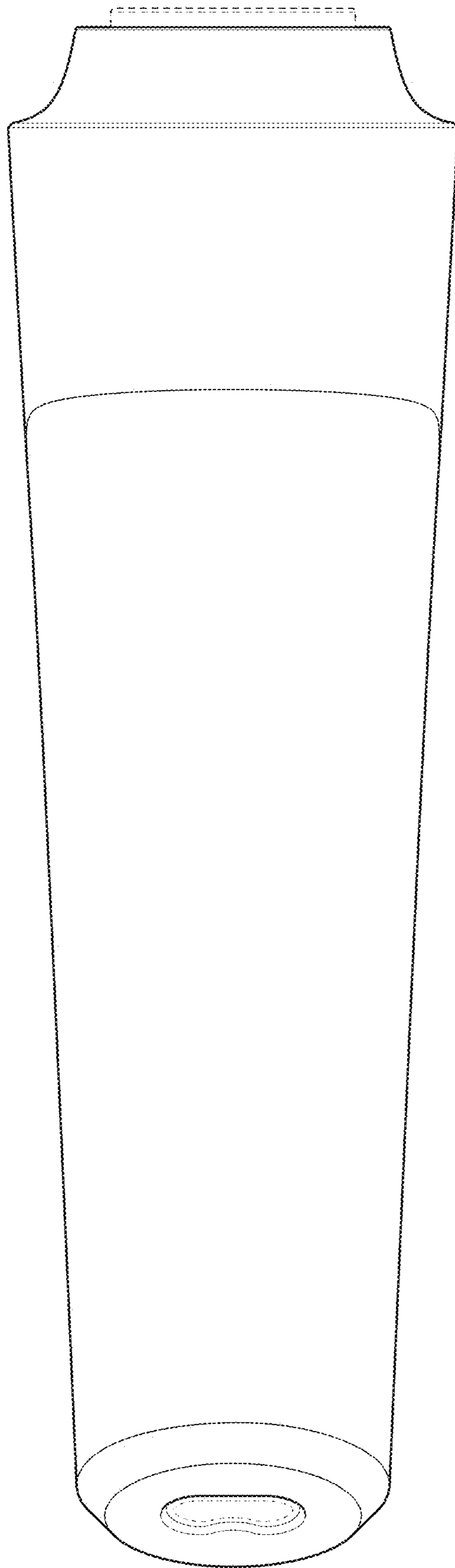


FIG. 17

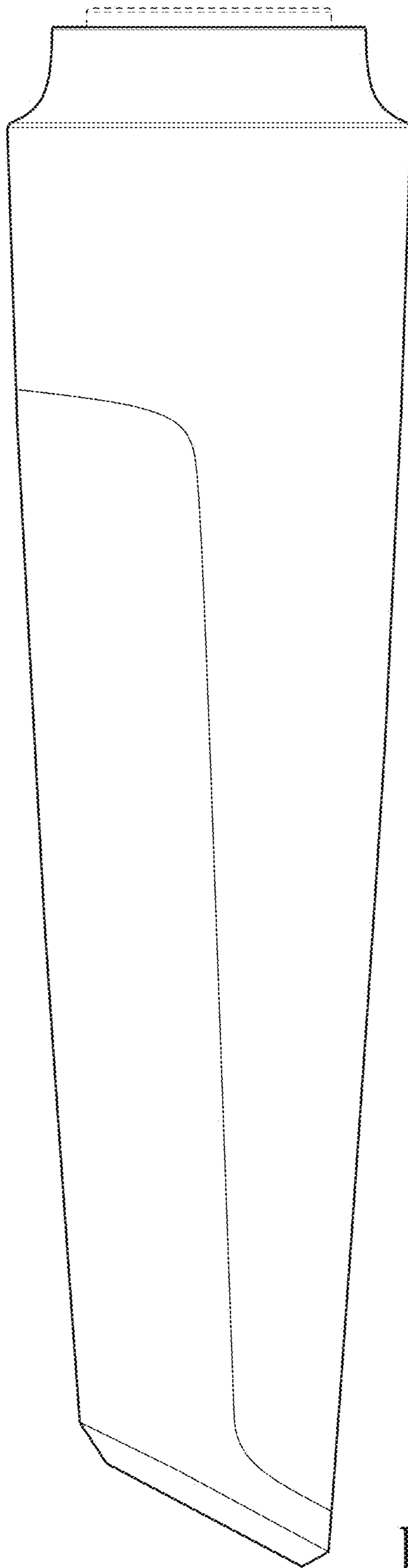


FIG. 18

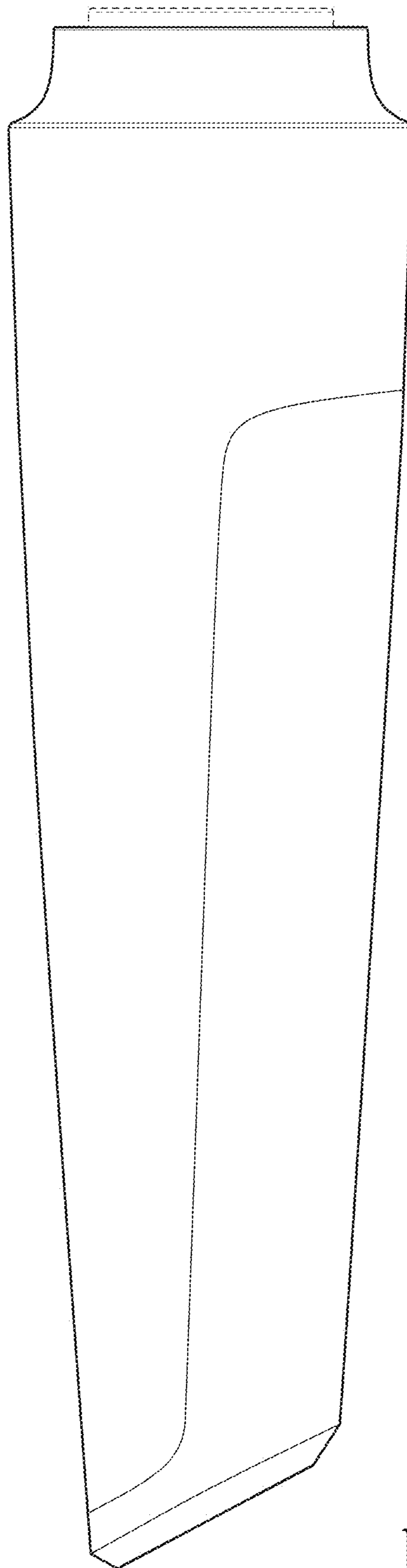


FIG. 19

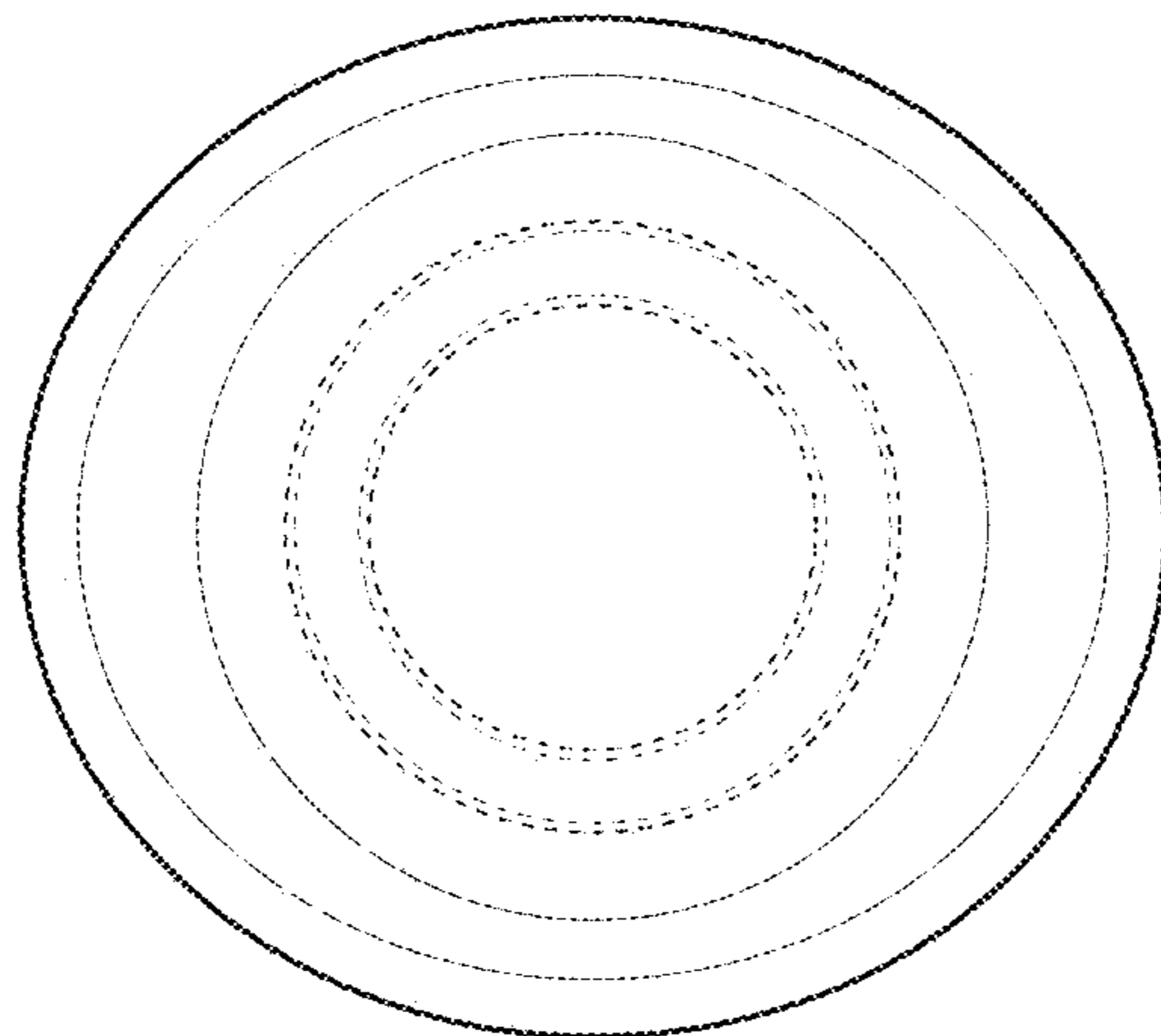


FIG. 20

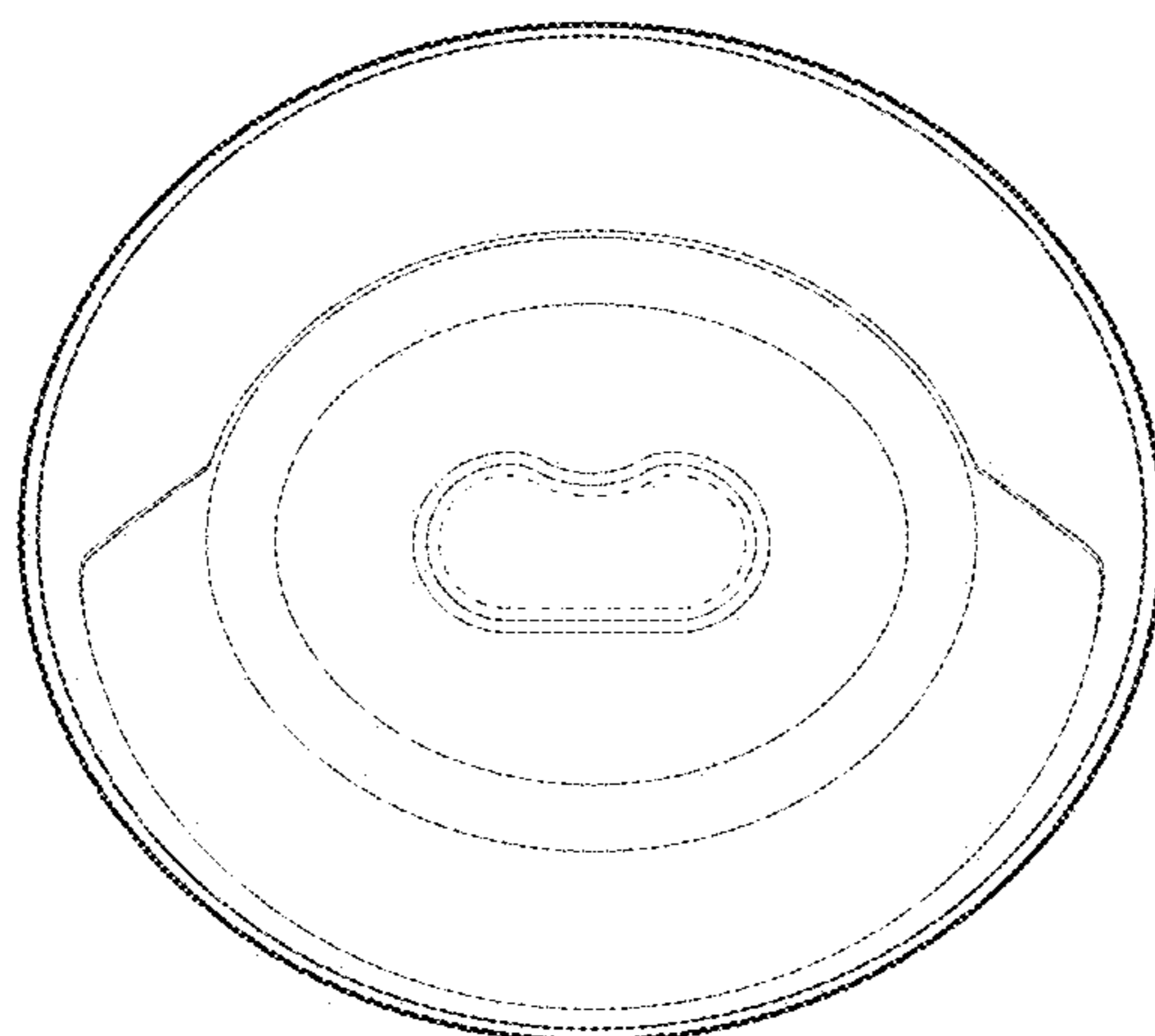


FIG. 21