



US00D942019S

(12) **United States Design Patent**
Parks et al.

(10) **Patent No.:** **US D942,019 S**
(45) **Date of Patent:** **** Jan. 25, 2022**

- (54) **MEDICAL DEVICE CONSOLE**
- (71) Applicant: **Galil Medical Inc.**, Arden Hills, MN (US)
- (72) Inventors: **Nicole Lee Parks**, Crystal, MN (US); **Dennis Babcock**, Maple Grove, MN (US); **Jorge Alberto Treviño Blanco**, Monterrey (MX); **Luan Chan**, Coon Rapids, MN (US); **Christine Kongsvik**, Mahtomedi, MN (US); **Eric Krause**, Big Lake, MN (US); **Ted Perron**, White Bear Lake, MN (US); **Tyler Dale Thompson**, Troy, MO (US); **Charles Wood**, Delano, MN (US)

- D567,381 S * 4/2008 Olivera D24/185
- D661,810 S * 6/2012 Zanoni D24/186
- D737,702 S * 9/2015 Selberg D10/81
- D793,559 S * 8/2017 Thompson D24/170
- D829,337 S * 9/2018 Klein D24/216
- D835,281 S * 12/2018 Clifford D24/185
- D861,167 S * 9/2019 Emery D24/158
- D882,110 S * 4/2020 Klein D24/216
- D883,469 S * 5/2020 Inkrote D24/108

(Continued)

- (73) Assignee: **GALIL MEDICAL INC.**, Arden Hills, MN (US)

(**) Term: **15 Years**

(21) Appl. No.: **29/796,637**

(22) Filed: **Jun. 25, 2021**

Related U.S. Application Data

(62) Division of application No. 29/647,670, filed on May 15, 2018, now Pat. No. Des. 923,797.

(51) **LOC (13) Cl.** **24-00**

(52) **U.S. Cl.**
USPC **D24/185**

(58) **Field of Classification Search**
USPC D24/185, 231, 232, 216, 172, 158, 186;
D10/81
CPC B04B 5/0414
See application file for complete search history.

(56) **References Cited**

U.S. PATENT DOCUMENTS

- 3,970,245 A * 7/1976 Aeschlimann B04B 5/0414
494/9
- D477,084 S * 7/2003 Menezes D24/172

OTHER PUBLICATIONS

“BTG Receives . . .” reference dated Aug. 15, 2019 found by RMS on the internet at: <https://markets.businessinsider.com/news/stocks/btg-receives-health-canada-medical-device-license-for-the-icfx-cryoablation-system-1028450193>.*

(Continued)

Primary Examiner — Rhea Shields

(74) *Attorney, Agent, or Firm* — Theodore M. Budd;
Faegre, Drinker, Biddle & Reath

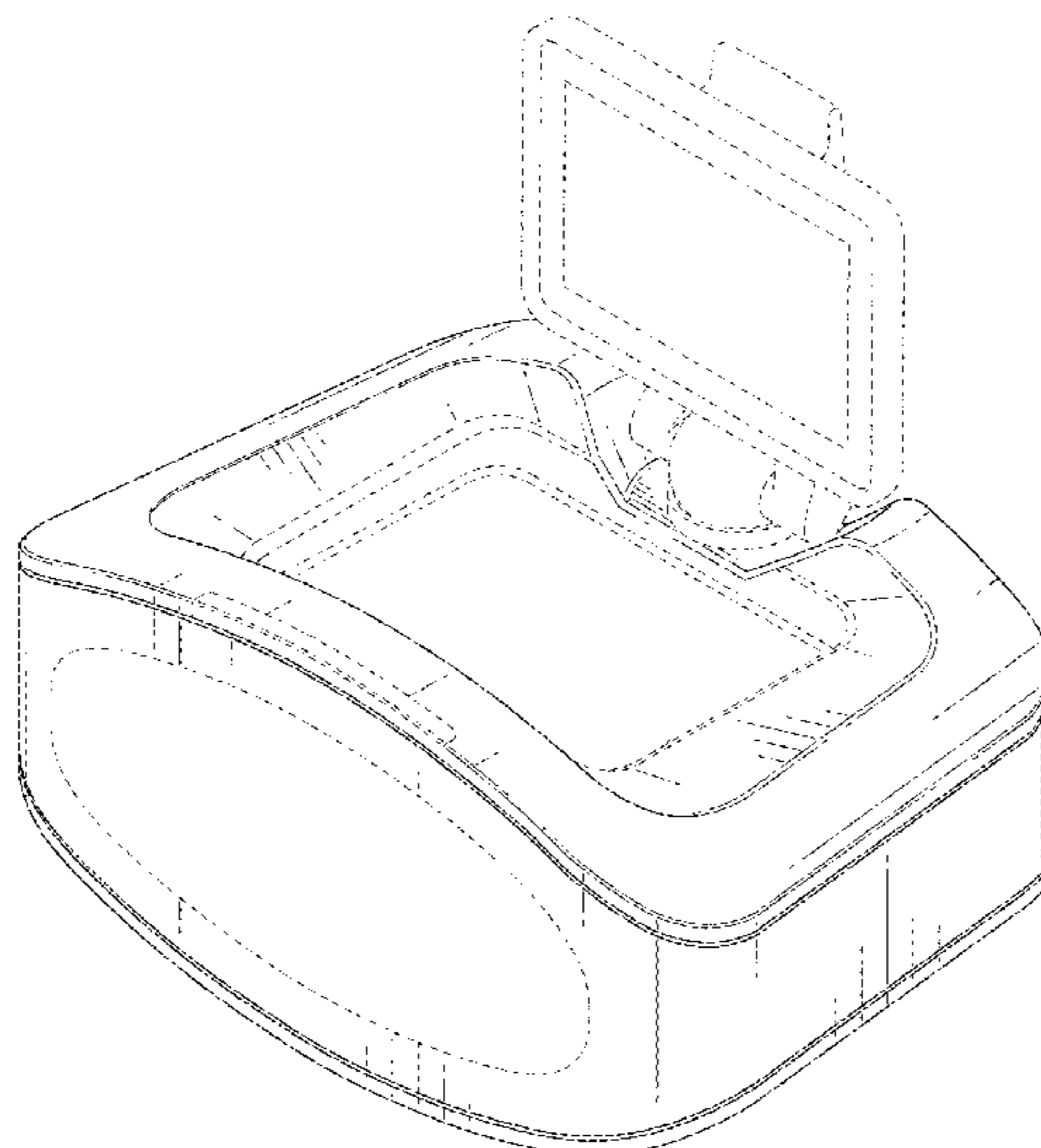
(57) **CLAIM**

The ornamental design for a medical device console, as shown and described.

DESCRIPTION

FIG. 1 is a side upper perspective view of a medical device console, showing our new design;
FIG. 2 is a front elevational view thereof;
FIG. 3 is a first side elevational view thereof, the side elevational view opposite the first side elevational view being a mirror image thereof;
FIG. 4 is a rear elevational view thereof;
FIG. 5 is a top plan view thereof; and,
FIG. 6 is a bottom plan view thereof.
In the drawings, the broken lines are for the purpose of illustrating portions of the medical device console which forms no part of the claimed design.

1 Claim, 5 Drawing Sheets



(56)

References Cited

U.S. PATENT DOCUMENTS

D908,892 S * 1/2021 Duignan D24/186
D908,893 S * 1/2021 Xia D24/186
D913,519 S * 3/2021 Raghu D24/216
D913,523 S * 3/2021 Gardner D24/232
D916,287 S * 4/2021 Marshall D24/146
D923,198 S * 6/2021 Allegoren D24/232
D923,797 S * 6/2021 Parks D24/185
D923,798 S * 6/2021 Goulet D24/185
D927,723 S * 8/2021 Nelsen D24/216
2021/0213270 A1 * 7/2021 Misiak A61M 5/1411

OTHER PUBLICATIONS

“ICEfx System . . . ” reference dated Dec. 7, 2018 found by RMS
on the internet at: <https://www.whichmedicaldevice.com/by-manufacturer/187/1032/icefx-system>.*

* cited by examiner

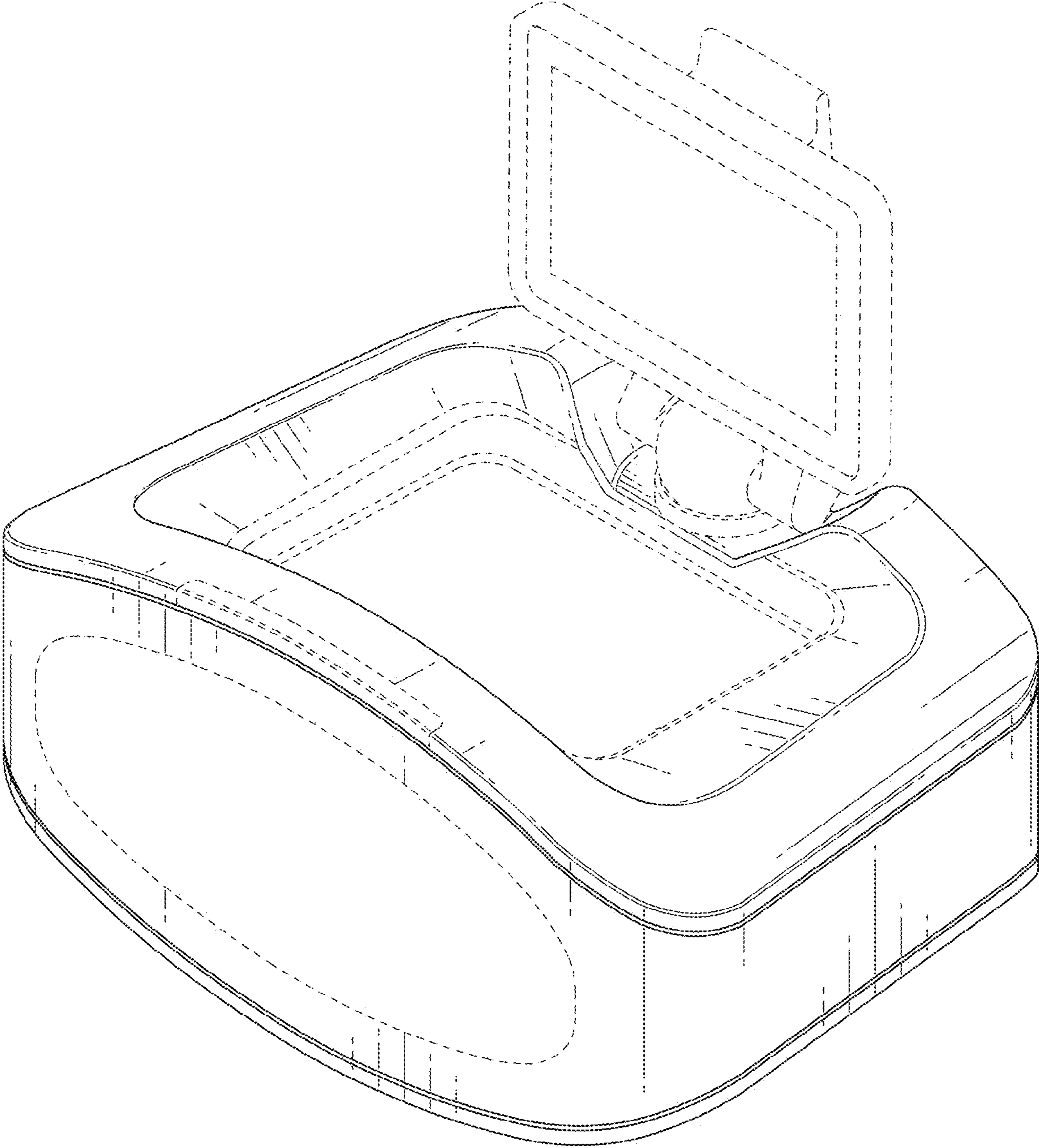


FIG. 1

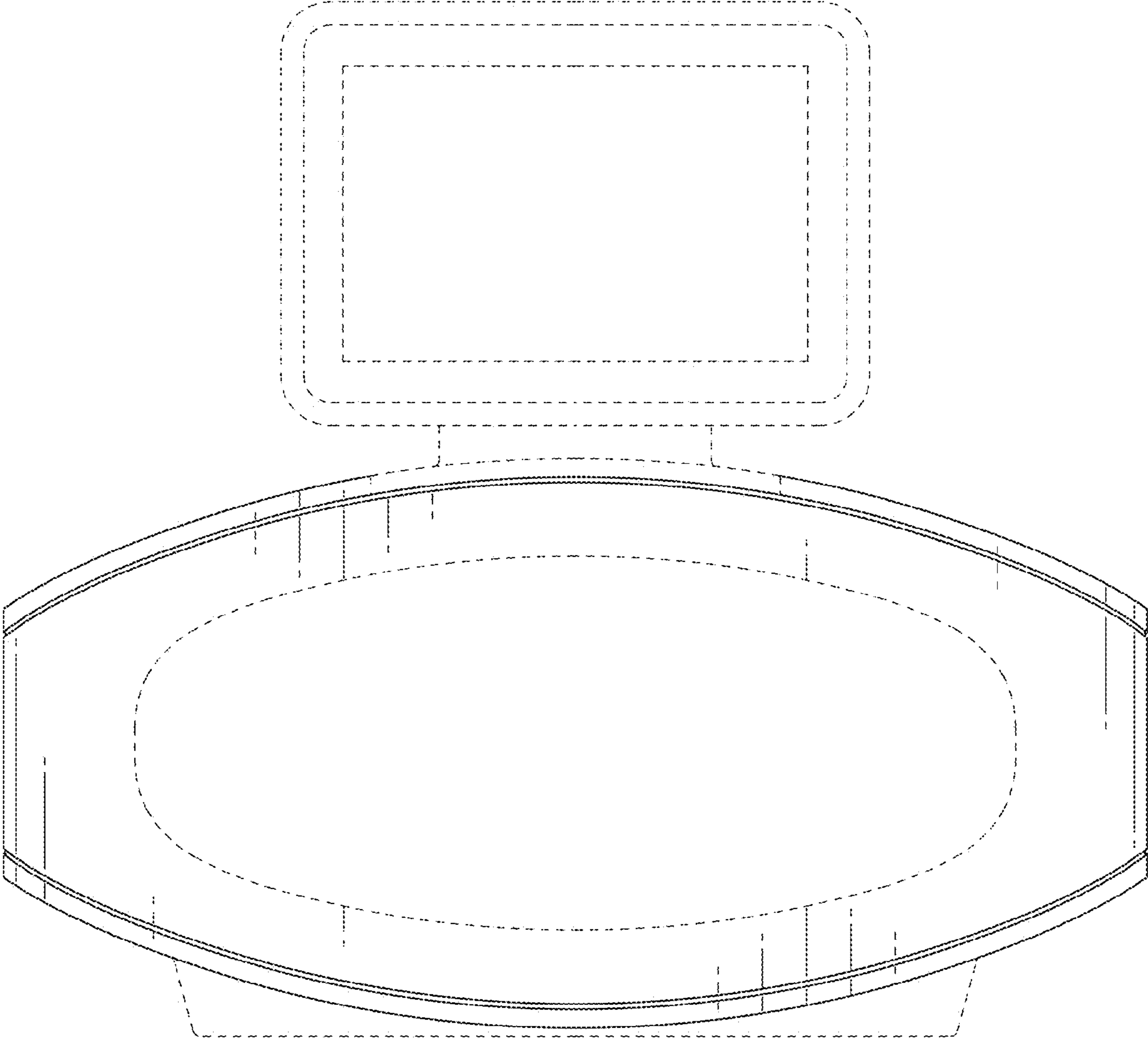


FIG. 2

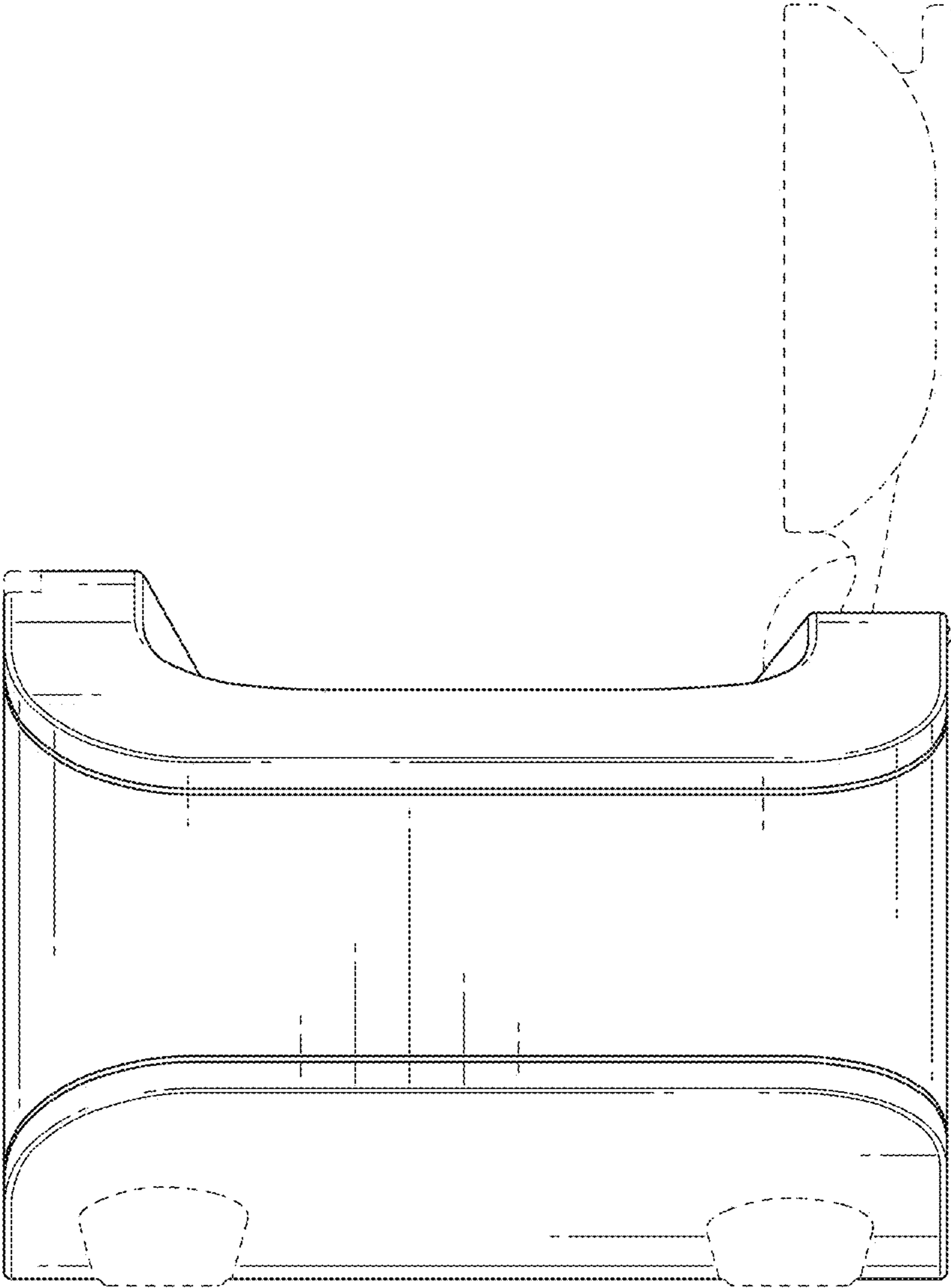


FIG. 3

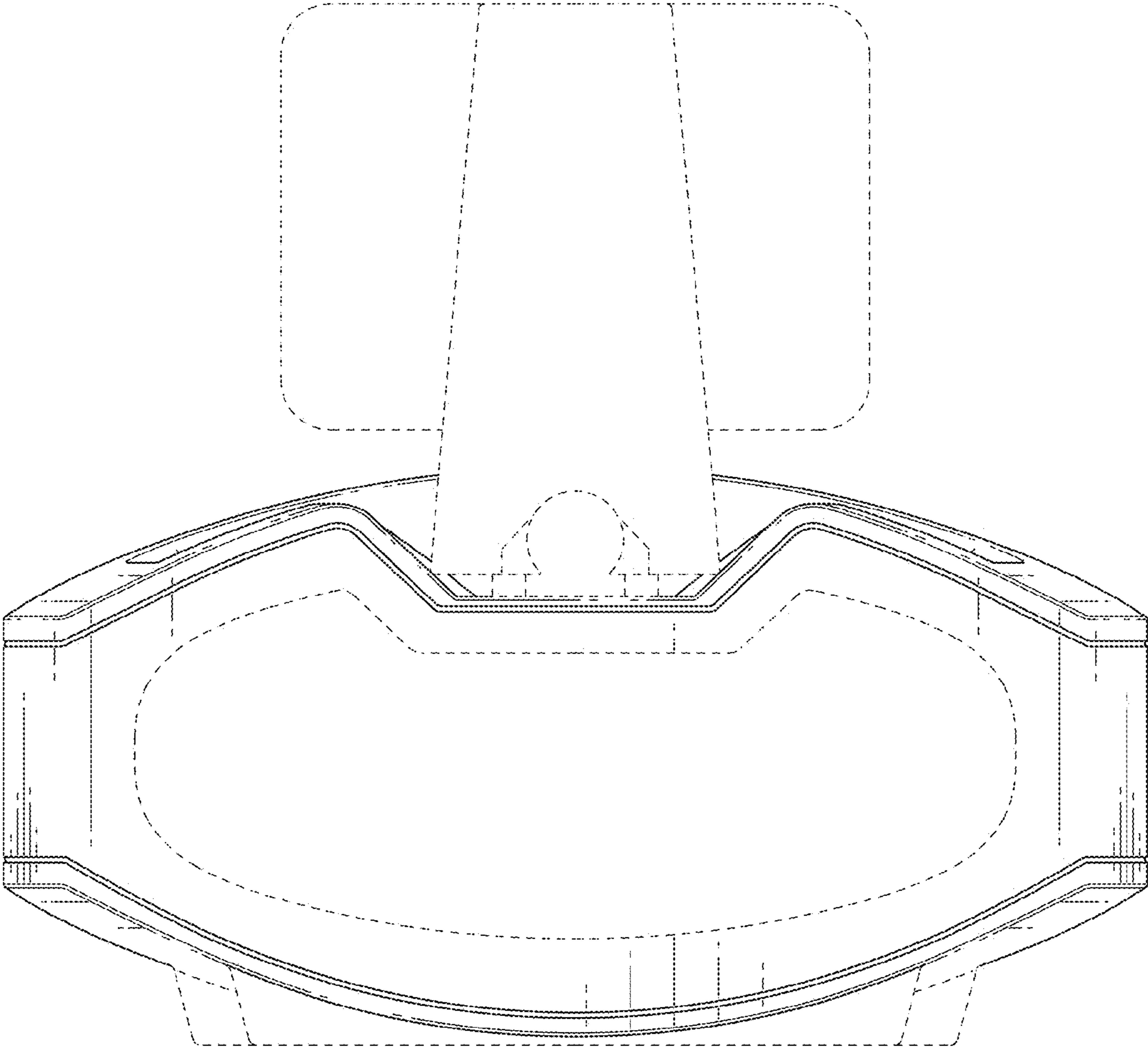


FIG. 4

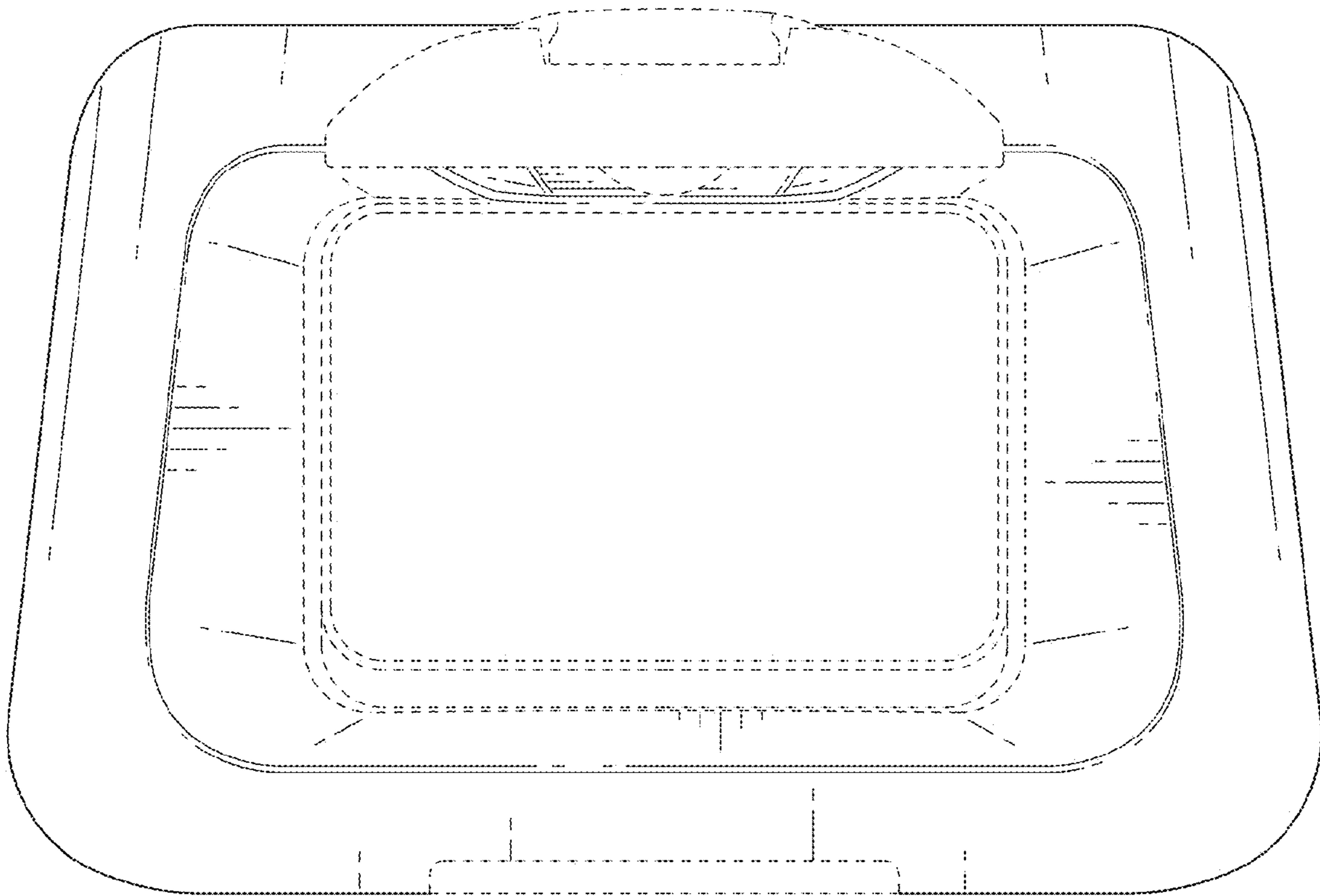


FIG. 5

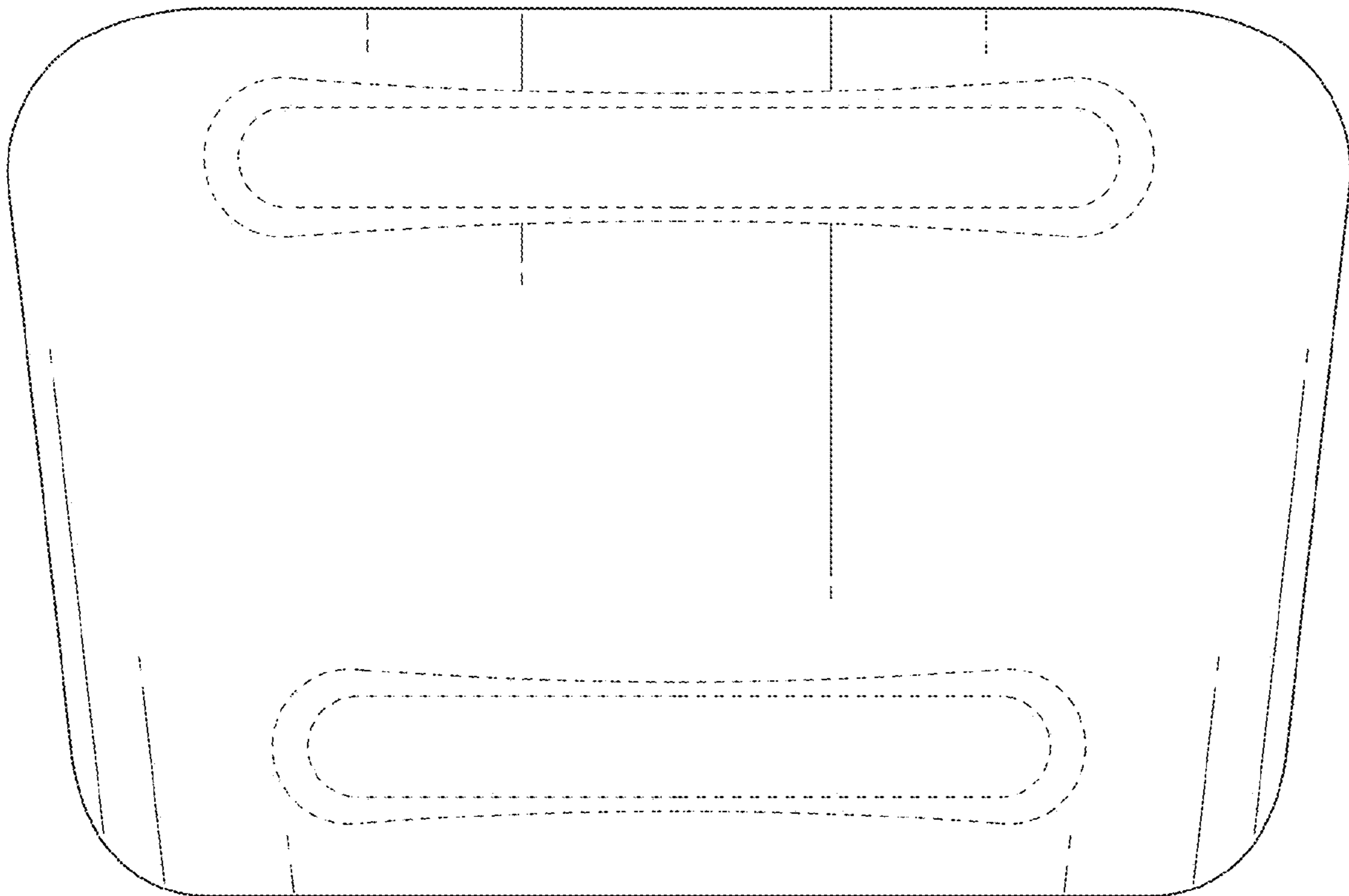


FIG. 6