



US00D942018S

(12) **United States Design Patent**  
**Goulet et al.**

(10) **Patent No.:** **US D942,018 S**  
(45) **Date of Patent:** **\*\* Jan. 25, 2022**

- (54) **MEDICAL DEVICE CONSOLE**
- (71) Applicant: **Galil Medical Inc.**, Arden Hills, MN (US)
- (72) Inventors: **Matthew Goulet**, Bloomington, MN (US); **Dennis Babcock**, Maple Grove, MN (US); **Tim Bachman**, St Paul, MN (US); **Luan Chan**, Coon Rapids, MN (US); **Logan Ernster**, Minneapolis, MN (US); **Christine Kongsvik**, Mahtomedi, MN (US); **Winston Tan**, Plymouth, MN (US)
- (73) Assignee: **GALIL MEDICAL INC.**, Arden Hills, MN (US)
- (\*\*) Term: **15 Years**
- (21) Appl. No.: **29/796,636**
- (22) Filed: **Jun. 25, 2021**

**Related U.S. Application Data**

- (62) Division of application No. 29/647,802, filed on May 15, 2018, now Pat. No. Des. 923,798.
- (51) **LOC (13) Cl.** ..... **24-00**
- (52) **U.S. Cl.**  
USPC ..... **D24/185**
- (58) **Field of Classification Search**  
USPC ..... D24/185, 231, 232, 216, 172, 158, 186;  
D10/81  
CPC ..... B04B 5/0414  
See application file for complete search history.

(56) **References Cited**

**U.S. PATENT DOCUMENTS**

- 3,970,245 A \* 7/1976 Aeschlimann ..... B04B 5/0414  
494/9
- D477,084 S \* 7/2003 Menezes ..... D24/172
- D567,381 S \* 4/2008 Olivera ..... D24/185

- D661,810 S \* 6/2012 Zanoni ..... D24/186
- D737,702 S \* 9/2015 Selberg ..... D10/81
- D793,559 S \* 8/2017 Thompson ..... D24/170
- D829,337 S \* 9/2018 Klein ..... D24/216
- D835,281 S \* 12/2018 Clifford ..... D24/185
- D861,167 S \* 9/2019 Emery ..... D24/158
- D882,110 S \* 4/2020 Klein ..... D24/216
- D883,469 S \* 5/2020 Inkrote ..... D24/108
- D908,892 S \* 1/2021 Duignan ..... D24/186
- D908,893 S \* 1/2021 Xia ..... D24/186

(Continued)

**OTHER PUBLICATIONS**

“BTG Receives . . . ” reference dated Aug. 15, 2019 found by RMS on the internet at: <https://markets.businessinsider.com/news/stocks/btg-receives-health-canada-medical-device-license-for-the-icefx-cryoablation-system-1028450193>.\*

(Continued)

*Primary Examiner* — Rhea Shields

(74) *Attorney, Agent, or Firm* — Theodore M. Budd;  
Faegre, Drinker, Biddle & Reath

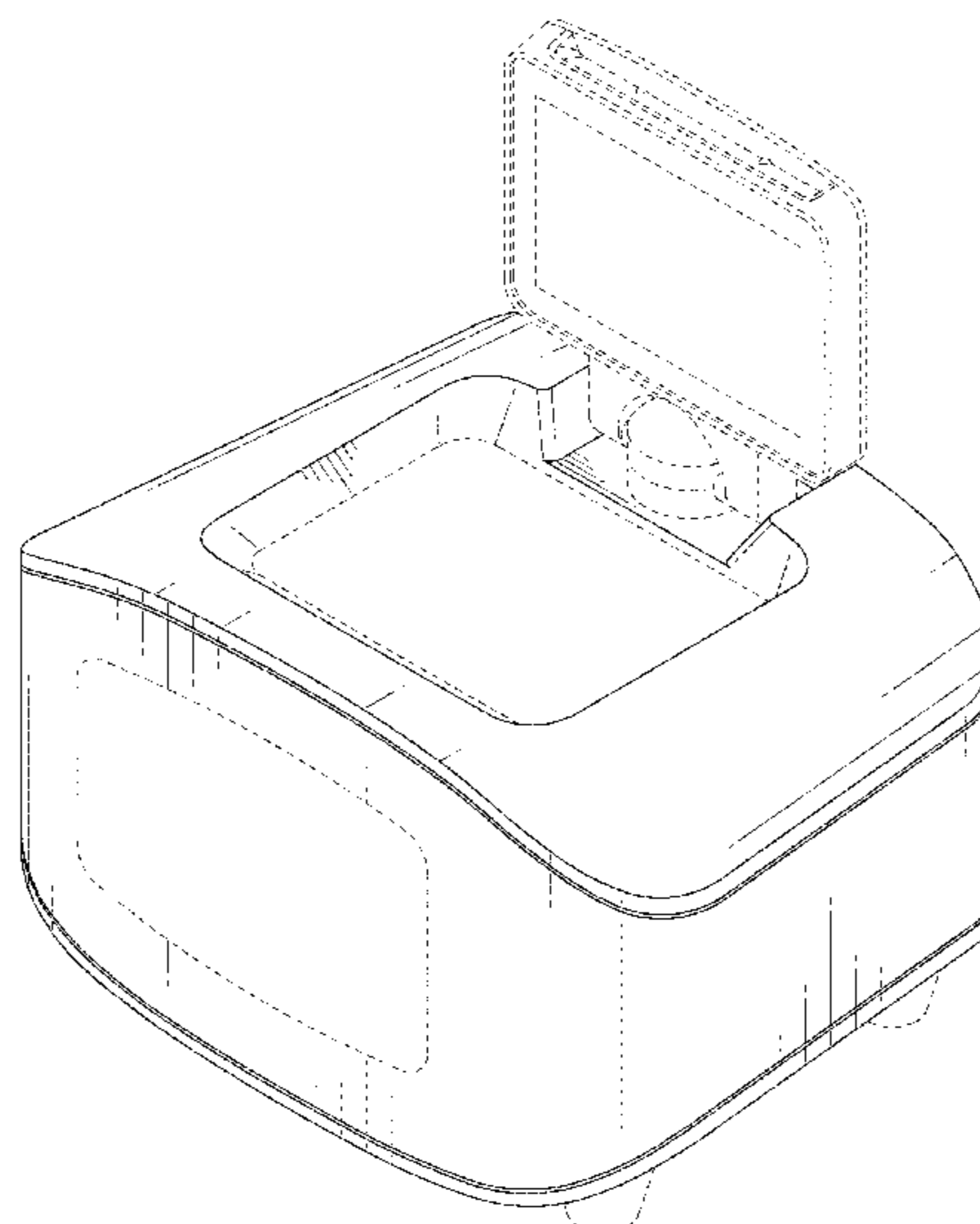
(57) **CLAIM**

The ornamental design for a medical device console, as shown and described.

**DESCRIPTION**

FIG. 1 is a side upper perspective view of a medical device console, showing our new design;  
FIG. 2 is a front elevational view thereof;  
FIG. 3 is a first side elevational view thereof, the side elevational view opposite the first side elevational view being a mirror image thereof;  
FIG. 4 is a rear elevational view thereof;  
FIG. 5 is a top plan view thereof; and,  
FIG. 6 is a bottom plan view thereof.  
In the drawings, the broken lines are for the purpose of illustrating portions of the medical device console which forms no part of the claimed design.

**1 Claim, 5 Drawing Sheets**



(56)

**References Cited**

U.S. PATENT DOCUMENTS

D913,519 S \* 3/2021 Raghu ..... D24/216  
D913,523 S \* 3/2021 Gardner ..... D24/232  
D916,287 S \* 4/2021 Marshall ..... D24/146  
D923,198 S \* 6/2021 Allegoren ..... D24/232  
D923,797 S \* 6/2021 Parks ..... D24/185  
D923,798 S \* 6/2021 Goulet ..... D24/185  
D927,723 S \* 8/2021 Nelsen ..... D24/216  
2021/0213270 A1 \* 7/2021 Misiak ..... A61M 5/1411

OTHER PUBLICATIONS

“ICEfx System . . . ” reference dated Dec. 7, 2018 found by RMS  
on the internet at: <https://www.whichmedicaldevice.com/by-manufacturer/187/1032/icefx-system>.\*

\* cited by examiner

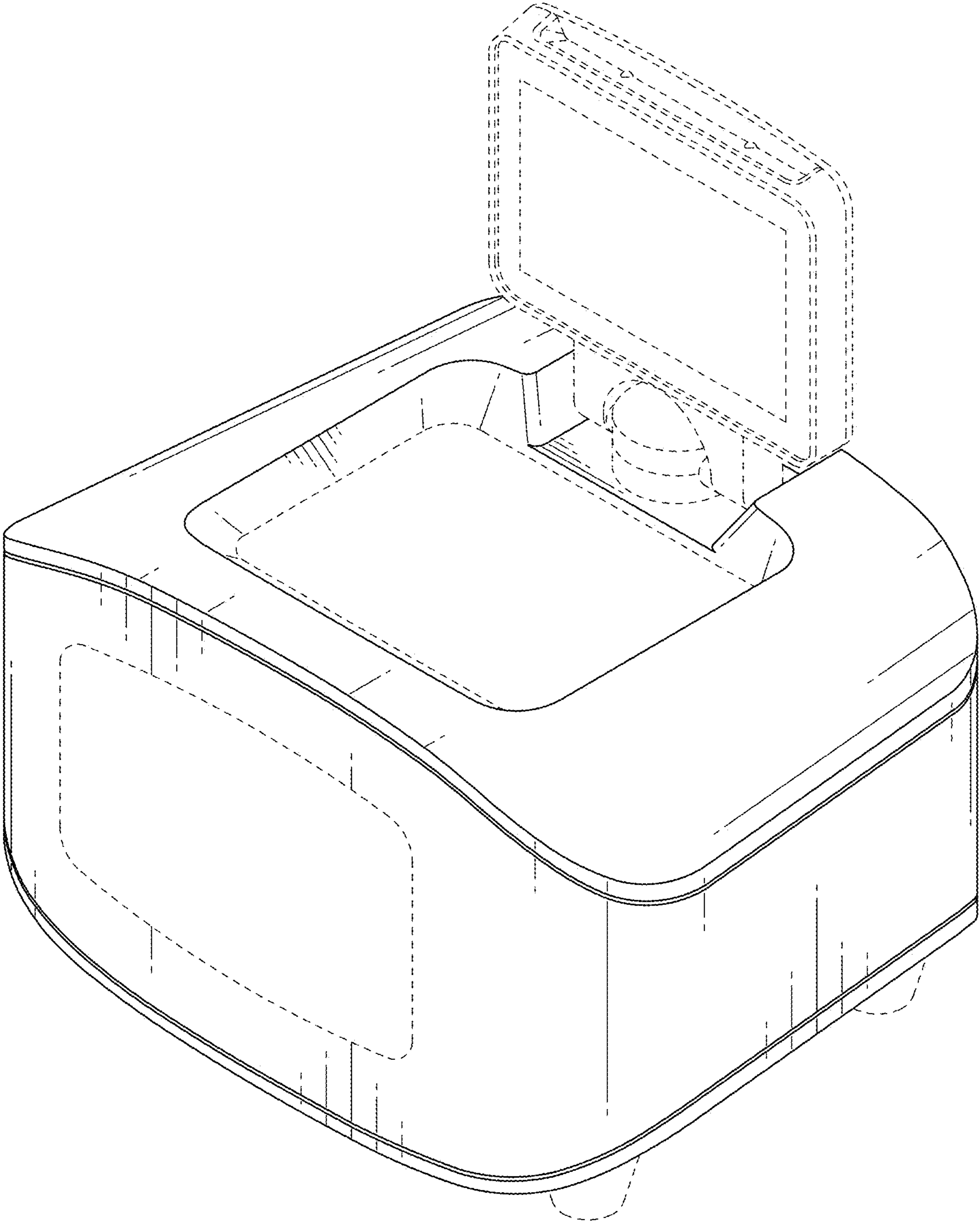


FIG. 1

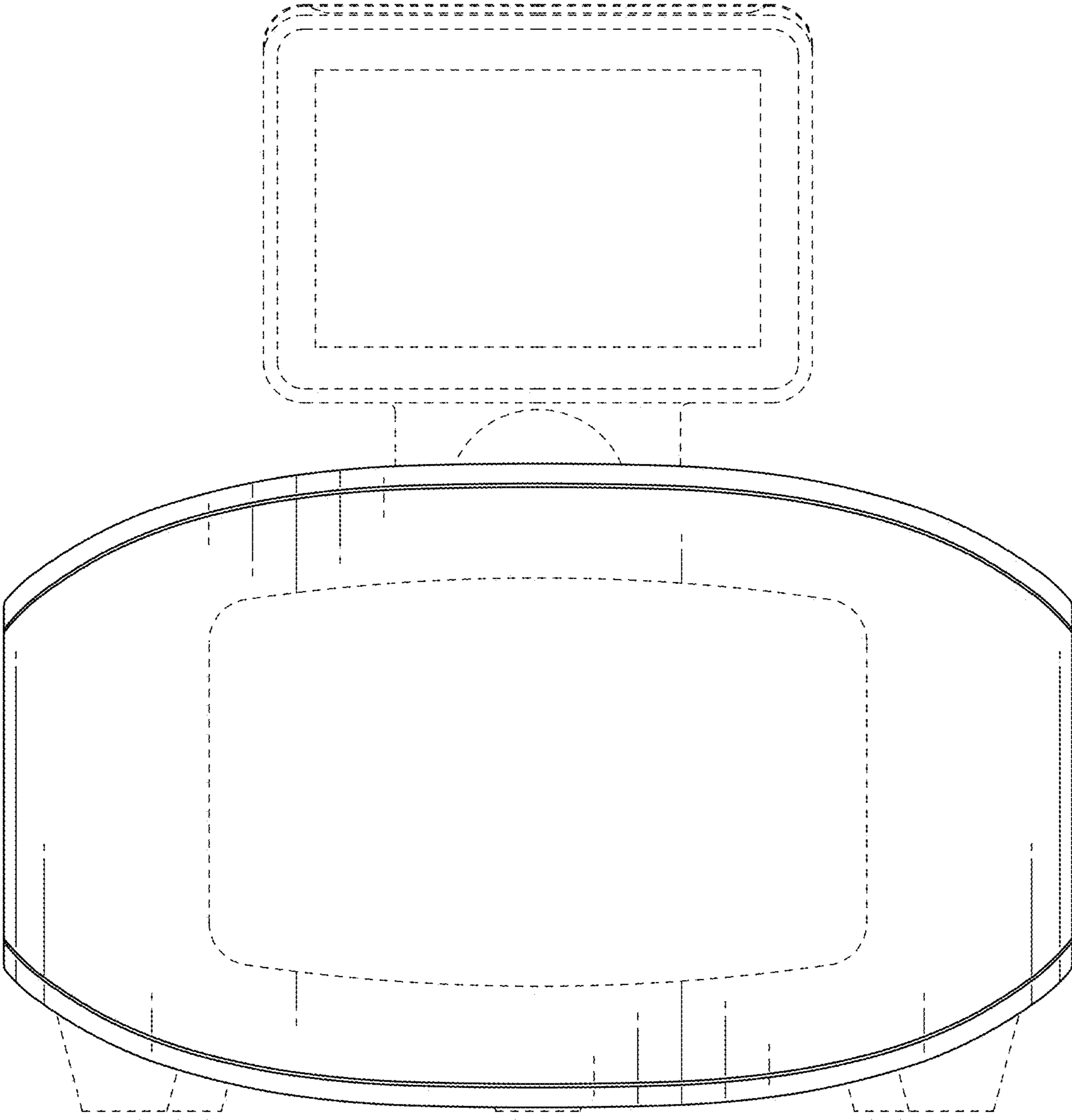


FIG. 2

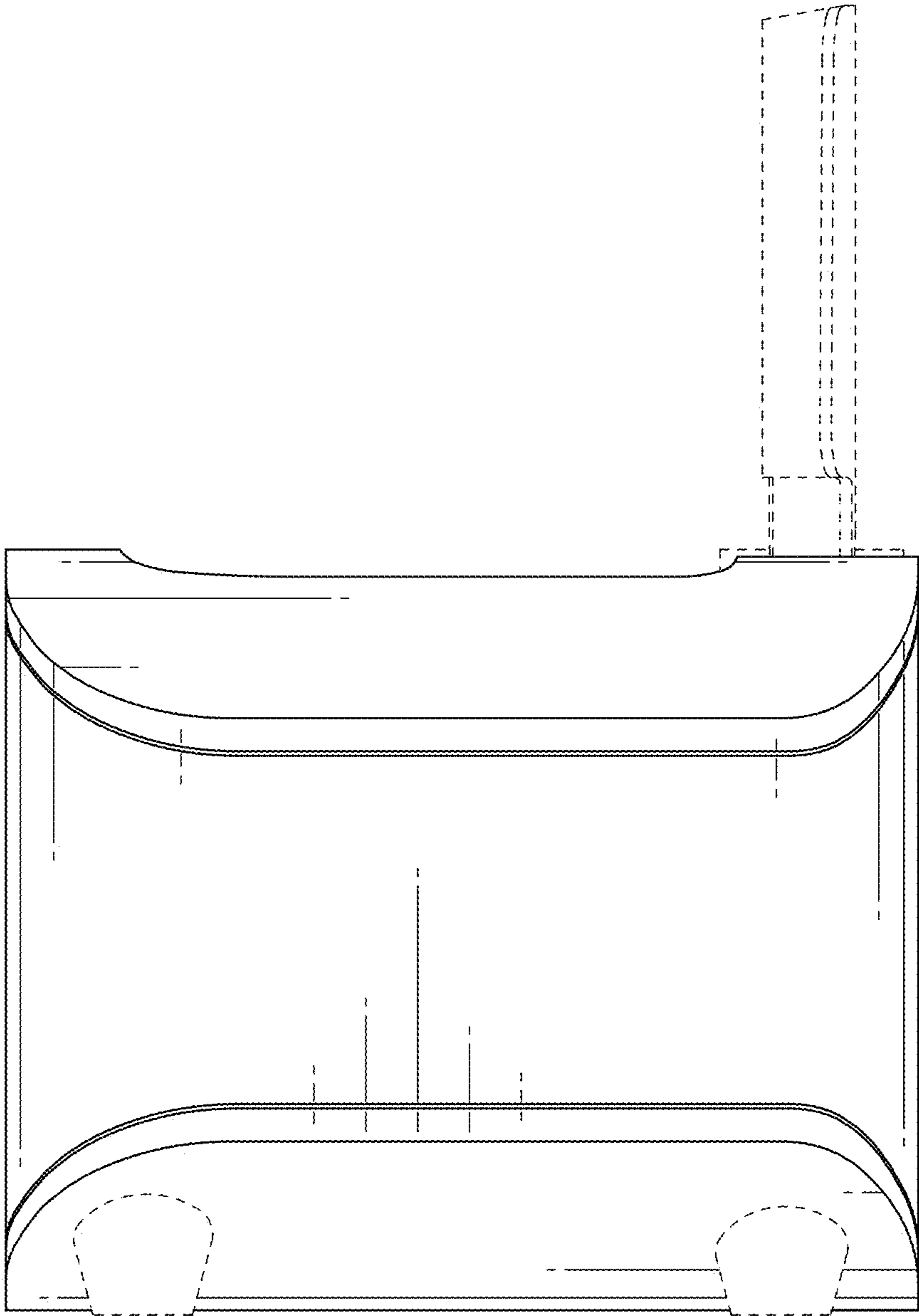


FIG. 3



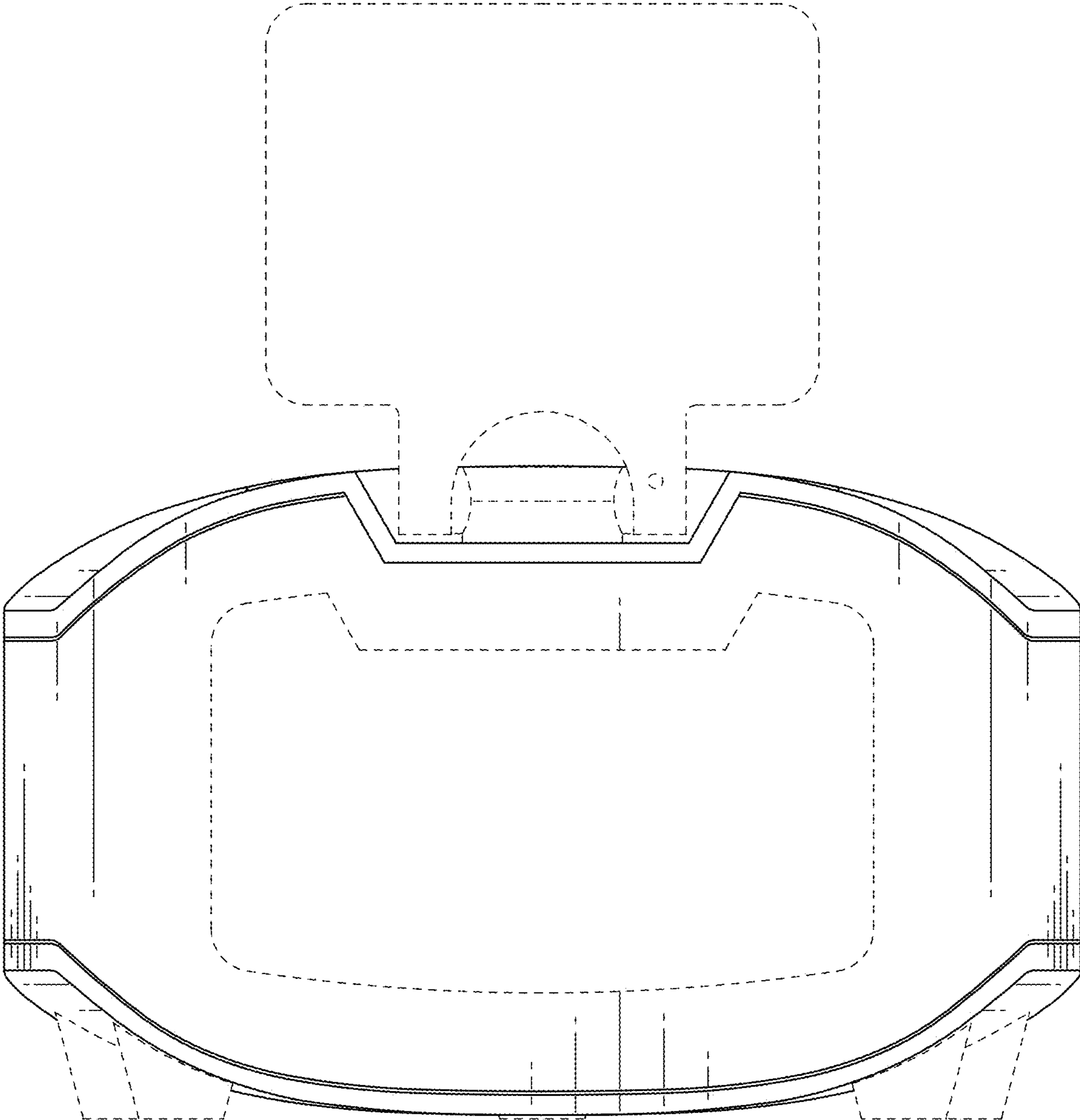


FIG. 4

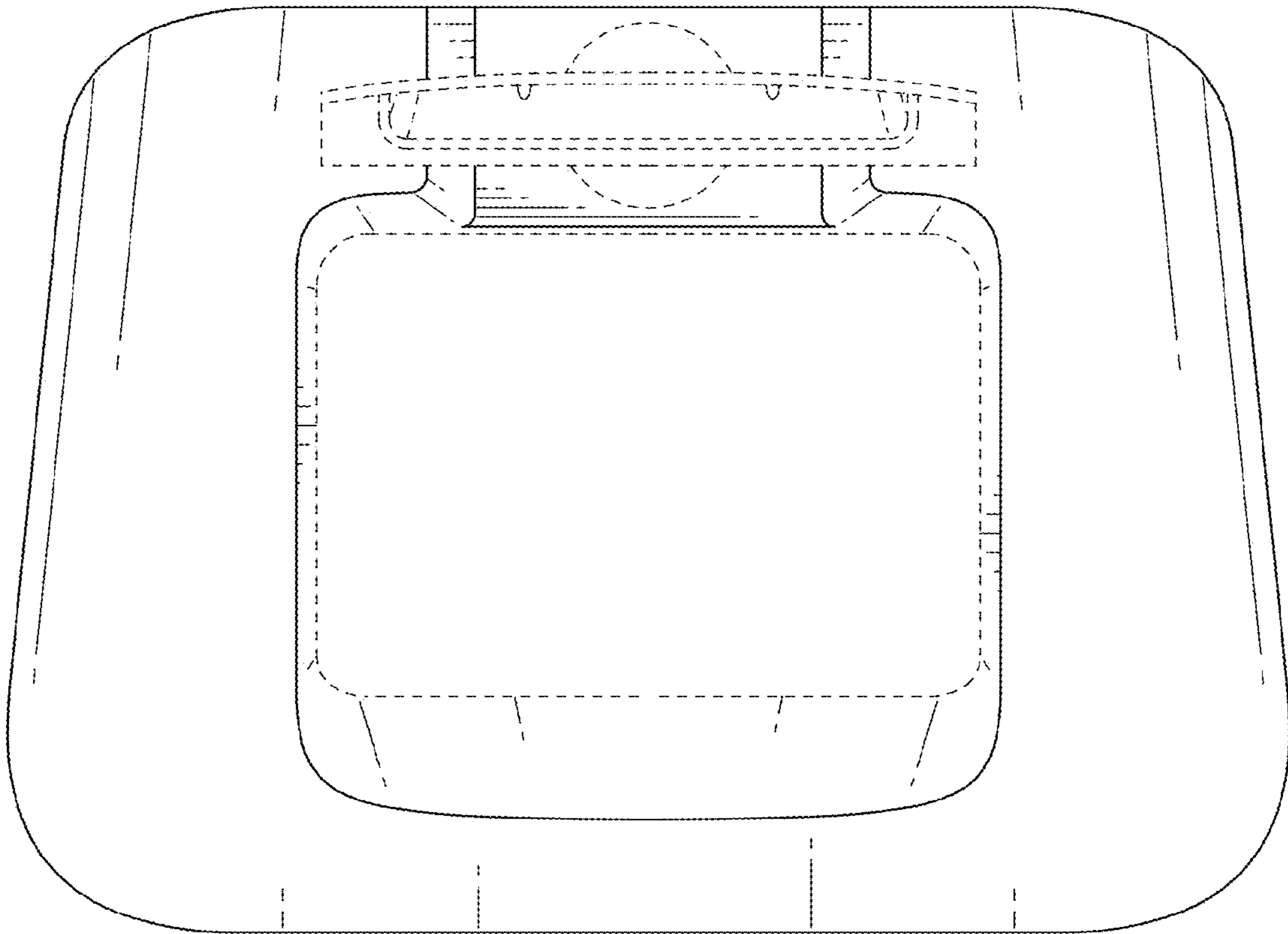


FIG. 5

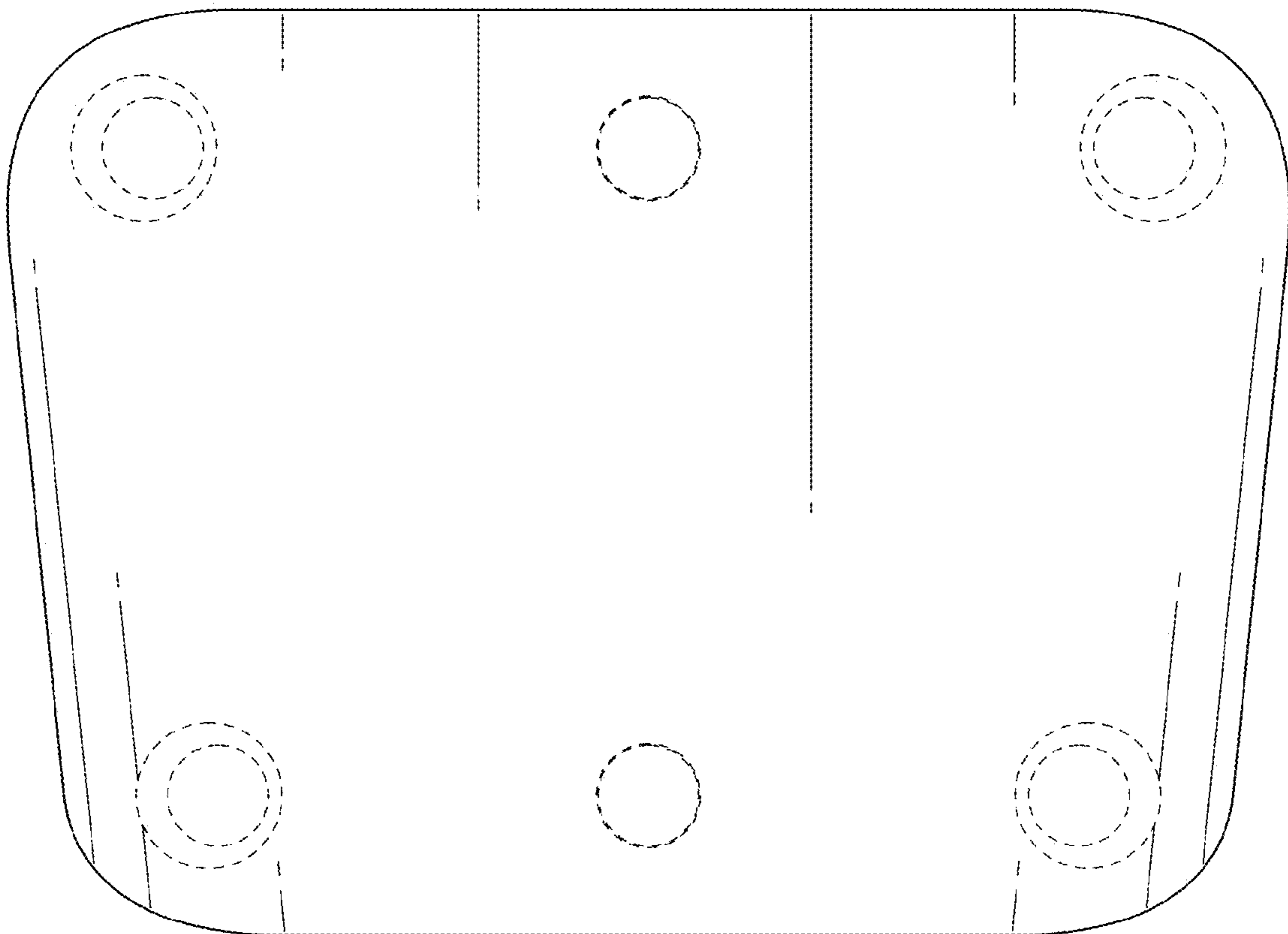


FIG. 6