

US00D942017S

(12) **United States Design Patent** (10) **Patent No.:** **US D942,017 S**
Ahearn et al. (45) **Date of Patent:** **** Jan. 25, 2022**

(54) **PROTECTIVE VACUUM SHIELD FOR PERSONAL SERVICE PROVIDERS**

FOREIGN PATENT DOCUMENTS

(71) Applicants: **David J. Ahearn**, Little Compton, RI (US); **Edward Carey**, Westport, MA (US); **Walter Bezaniuk**, Berkley, MA (US)

CN 201879716 U 6/2011
CN 202456515 U 10/2012
(Continued)

(72) Inventors: **David J. Ahearn**, Little Compton, RI (US); **Edward Carey**, Westport, MA (US); **Walter Bezaniuk**, Berkley, MA (US)

OTHER PUBLICATIONS

Rush Deer Face Shield, Adjustable Anti-Fog Dental Full Face Shield with Protective Clear Film Elastic Band and Comfort Sponge (5 Packs). Online, published date Mar. 30, 2020. Retrieved on Jan. 29, 2021 from URL: <https://www.amazon.com/Rush-Deer-Adjustable-Anti-Fog-Protective/dp/B086JYGQVP>.*

(**) Term: **15 Years**

(Continued)

(21) Appl. No.: **29/737,787**

Primary Examiner — Susan Bennett Hattan

Assistant Examiner — Omeed Agilee

(22) Filed: **Jun. 11, 2020**

(74) *Attorney, Agent, or Firm* — Adler Pollock & Sheehan P.C.

(51) **LOC (13) Cl.** **24-02**

(52) **U.S. Cl.**
USPC **D24/184**

(57) **CLAIM**

The ornamental design for a protective vacuum shield for personal service providers, as shown and described.

(58) **Field of Classification Search**
USPC D24/107, 158–161, 184, 185, 186, 187, D24/231, 232, 234; D29/100, 101.1, 110; D2/860, 861, 872–874
CPC A61B 6/107; A61B 6/4411; G21F 3/00; G21F 3/02; G21Y 2004/30; A61N 2005/1094
See application file for complete search history.

DESCRIPTION

FIG. 1 is a perspective view of a protective vacuum shield for personal service providers according to our new design; FIG. 2 is a front view thereof; FIG. 3 is a back view thereof; FIG. 4 is a side view thereof; FIG. 5 is an opposite side view thereof; FIG. 6 is a top view thereof; FIG. 7 is a bottom view thereof; FIG. 8 is another perspective view of the protective vacuum shield for personal service providers in use; and, FIG. 9 is another perspective view of the protective vacuum shield for personal service providers in use. The broken lines in the drawings depict environmental subject matter and form no part of the claimed design.

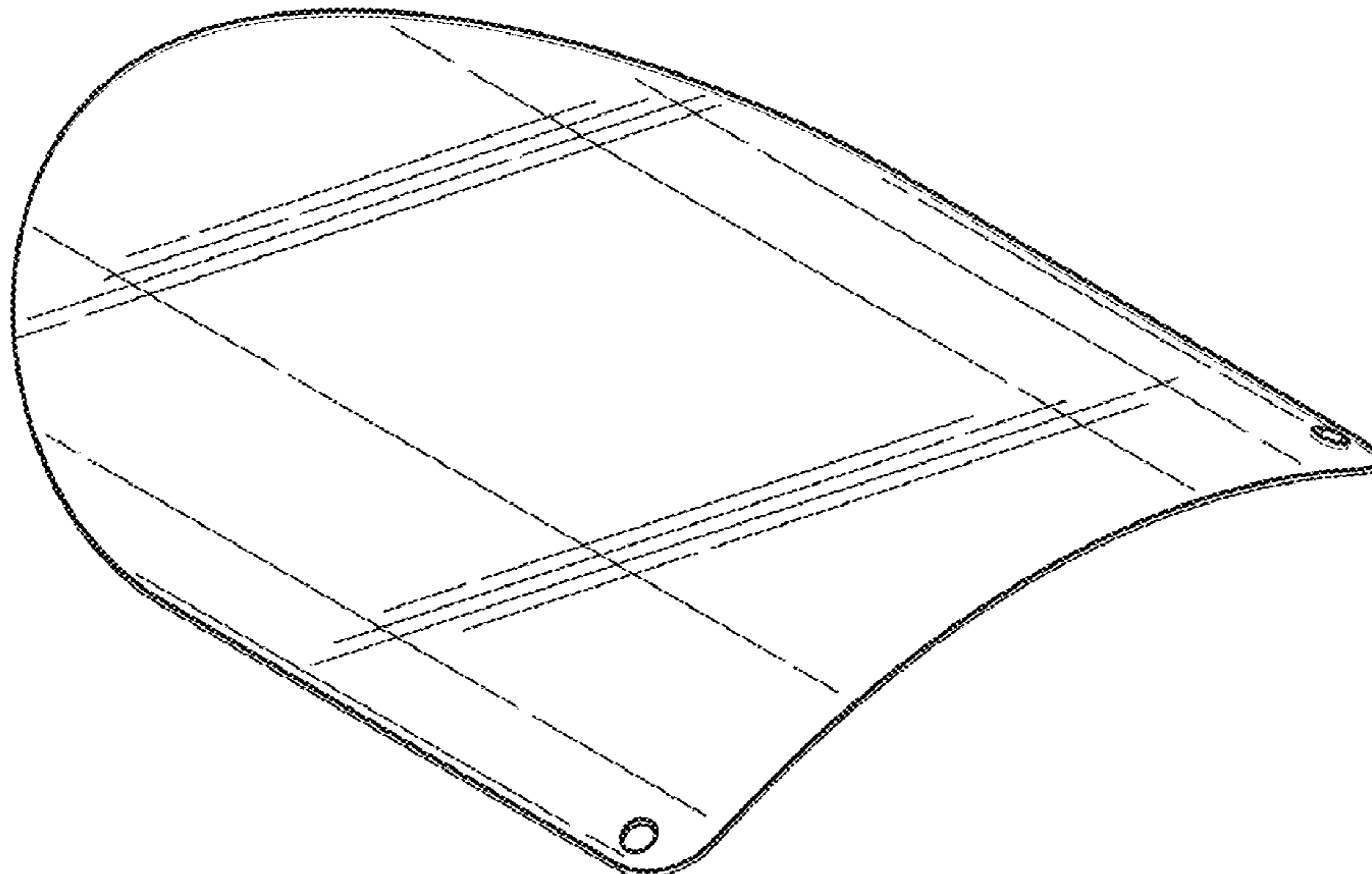
(56) **References Cited**

U.S. PATENT DOCUMENTS

1,342,898 A * 6/1920 De Rosier A61F 9/02 2/8.2
1,532,008 A * 3/1925 Walford B62J 17/00 296/78.1
2,106,615 A * 1/1938 Maurer G02C 7/16 2/12
D121,457 S * 7/1940 Nu Dell D2/876

(Continued)

1 Claim, 7 Drawing Sheets



(56)

References Cited

U.S. PATENT DOCUMENTS

2,210,370 A 8/1940 Rafael
 3,041,624 A * 7/1962 Cutrona, Jr. A41D 13/1184
 D210,002 S * 1/1968 Zahn D29/110
 3,369,255 A * 2/1968 Seraphin A41D 13/1184
 D214,014 S * 5/1969 Jones D29/110
 3,537,447 A 11/1970 Gauthier et al.
 3,724,172 A 4/1973 Wood
 4,038,913 A 8/1977 Earley
 4,082,092 A 4/1978 Foster
 4,446,861 A 5/1984 Tada
 D274,466 S * 6/1984 Conlon D24/232
 4,607,413 A 8/1986 Schmidt et al.
 D297,766 S * 9/1988 Conlon D24/232
 D300,945 S 5/1989 Fleming et al.
 D303,153 S 8/1989 Puggard
 4,865,049 A 9/1989 Gatti
 4,921,492 A 5/1990 Schultz et al.
 4,936,318 A 6/1990 Schoolman
 4,949,714 A 8/1990 Orr
 4,967,775 A * 11/1990 Kaiser A45D 29/00
 5,012,852 A 5/1991 Blackhurst
 5,052,411 A 10/1991 Schoolman
 5,122,904 A 6/1992 Fujiwara et al.
 5,336,128 A 8/1994 Birdsong
 5,349,967 A 9/1994 Tennis et al.
 5,360,018 A 11/1994 Chen
 D376,674 S * 12/1996 Kamata D29/107
 5,636,627 A 6/1997 Rochester
 D380,873 S * 7/1997 Reuber D29/110
 5,970,514 A * 10/1999 Wang-Lee A61F 9/045
 D417,756 S * 12/1999 Crupi D29/110
 6,076,524 A 6/2000 Corn
 6,119,689 A 9/2000 Korman
 D450,746 S * 11/2001 Johnson D16/340
 D454,976 S * 3/2002 Recupido D28/9
 6,524,307 B1 2/2003 Palmerton et al.
 6,663,610 B1 12/2003 Thompson et al.
 D614,305 S 4/2010 Al-Ali et al.
 7,798,635 B1 * 9/2010 Shindler G02C 9/00
 D645,560 S 9/2011 Green et al.
 D666,776 S 9/2012 Shim
 D675,786 S * 2/2013 Klotz D29/110
 8,684,728 B1 4/2014 Wiesemann
 D772,415 S * 11/2016 Ballsieper D24/158
 9,532,617 B2 * 1/2017 Miller A41D 13/1184
 9,532,843 B2 1/2017 Palmerton et al.
 D785,805 S * 5/2017 Geers D24/190
 D825,762 S 8/2018 Ballsieper

D830,554 S * 10/2018 Ballsieper D24/158
 D835,890 S * 12/2018 Swank D2/891
 D846,756 S 4/2019 Lacy et al.
 10,420,386 B1 9/2019 Jefferis et al.
 D882,182 S * 4/2020 Fekete A41D 13/1184
 D908,973 S * 1/2021 Rybak D29/110
 11,049,626 B1 6/2021 Ahearn
 D925,131 S * 7/2021 Brown, II D29/110
 D930,254 S * 9/2021 Hong D29/110
 D930,841 S * 9/2021 Ahearn D24/184
 D933,834 S * 10/2021 Ahearn D24/184
 2004/0009746 A1 1/2004 Korman
 2004/0111008 A1 6/2004 Perlatti
 2004/0255937 A1 12/2004 Sun
 2005/0085686 A1 4/2005 Yuen
 2007/0089221 A1 4/2007 Manzella et al.
 2008/0223384 A1 9/2008 Zabari
 2010/0081368 A1 4/2010 Della et al.
 2010/0115896 A1 5/2010 Reid et al.
 2012/0186590 A1 * 7/2012 Byers G21F 3/03
 2012/0310119 A1 12/2012 Salo Darder et al.
 2015/0004895 A1 1/2015 Hammers et al.
 2015/0013783 A1 1/2015 Palmerton et al.
 2015/0327935 A1 11/2015 Coleman et al.
 2016/0074268 A1 3/2016 Breegi et al.
 2017/0004895 A1 * 1/2017 Holman G21F 3/02
 2018/0153637 A1 6/2018 Al-Shawi et al.
 2019/0060031 A1 2/2019 Mukherji et al.
 2019/0274608 A1 9/2019 Choi
 2020/0000541 A1 1/2020 Clemens
 2020/0060375 A1 2/2020 Jascomb et al.
 2020/0246103 A1 8/2020 Szuchmacher

FOREIGN PATENT DOCUMENTS

CN 204468120 U 7/2015
 CN 202030498227.X * 1/2021
 DE 3540574 C2 1/1987
 GB 2205501 A1 12/1988
 RU 80336 U1 2/2009

OTHER PUBLICATIONS

Jackson Safety F30 Acetate Face Shield (29090), 9" x 15.5", Dark Green, Reusable Face Protection, 50 Shields/Case. Online, published date Sep. 8, 2021. Retrieved on Jan. 29, 2021 from URL: <https://www.amazon.com/Jackson-Safety-29090-Reusable-Protection/dp/B00982YBJ2>.
 Hsien, et al., "Coronavirus/Taiwanese doctor creates cheap protective device amid virus crisis," Focus Taiwan, Apr. 3, 2020, <https://focustaiwan.tw/society/202003220009>.

* cited by examiner

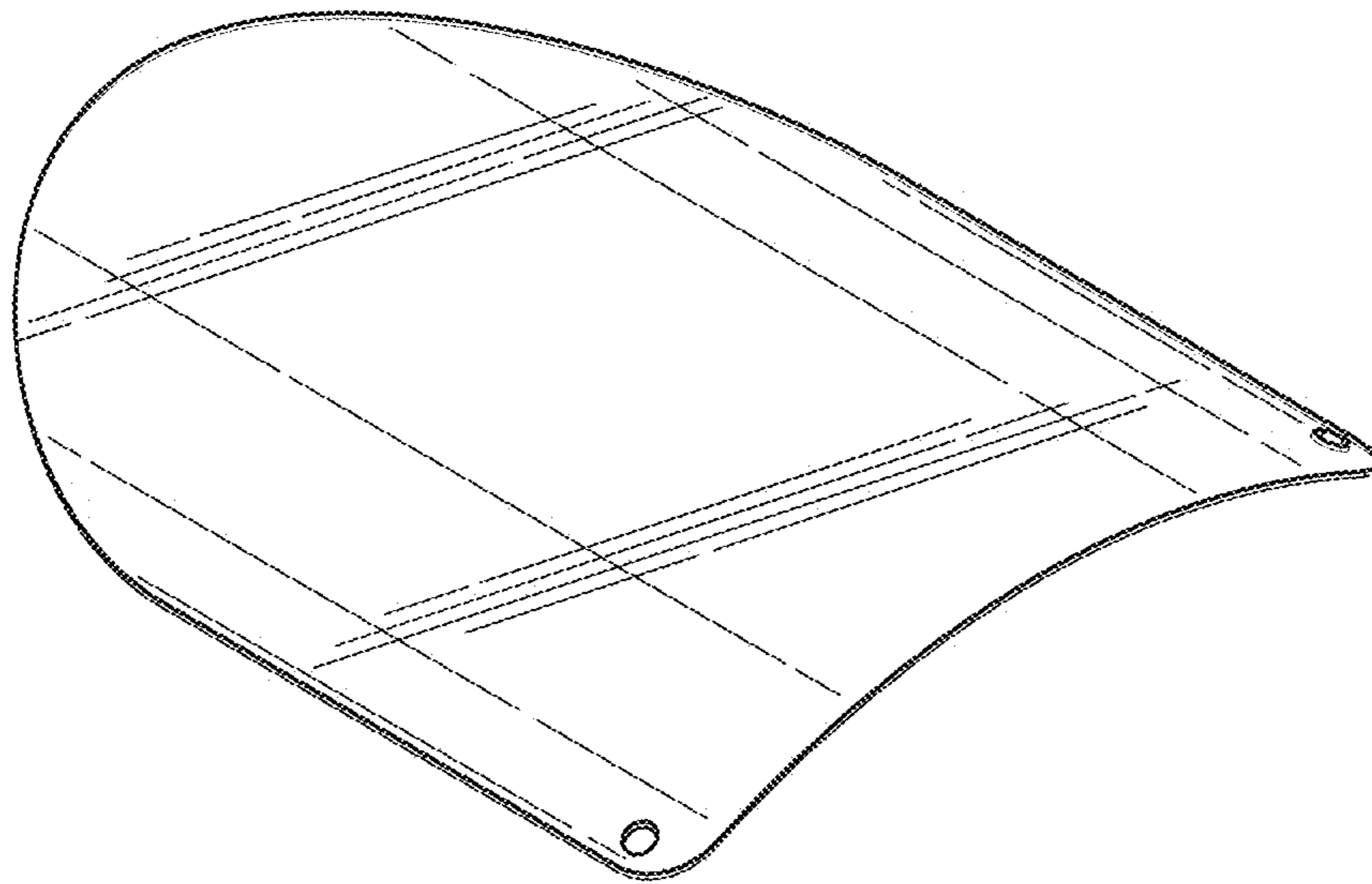


FIG. 1

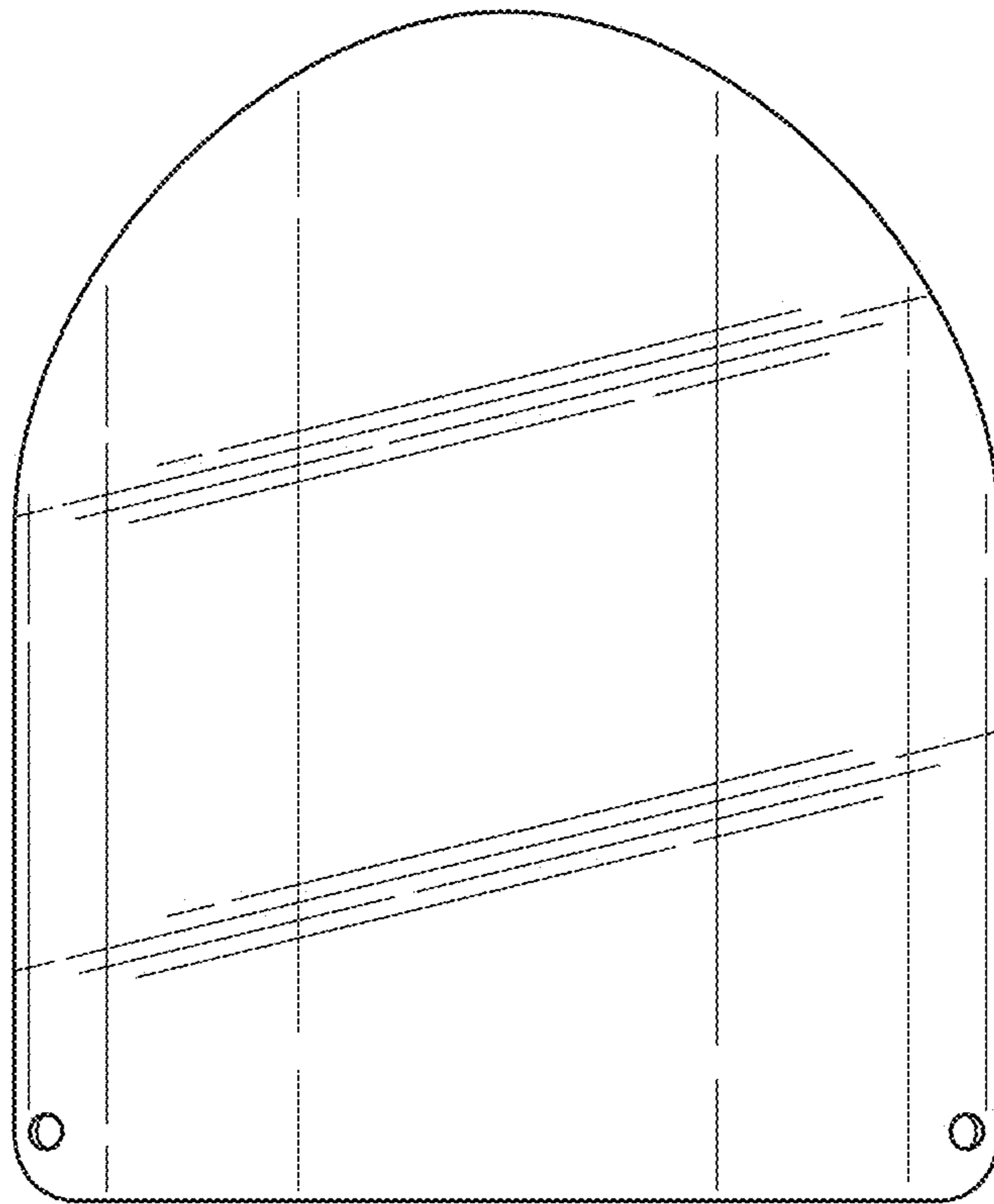


FIG. 2

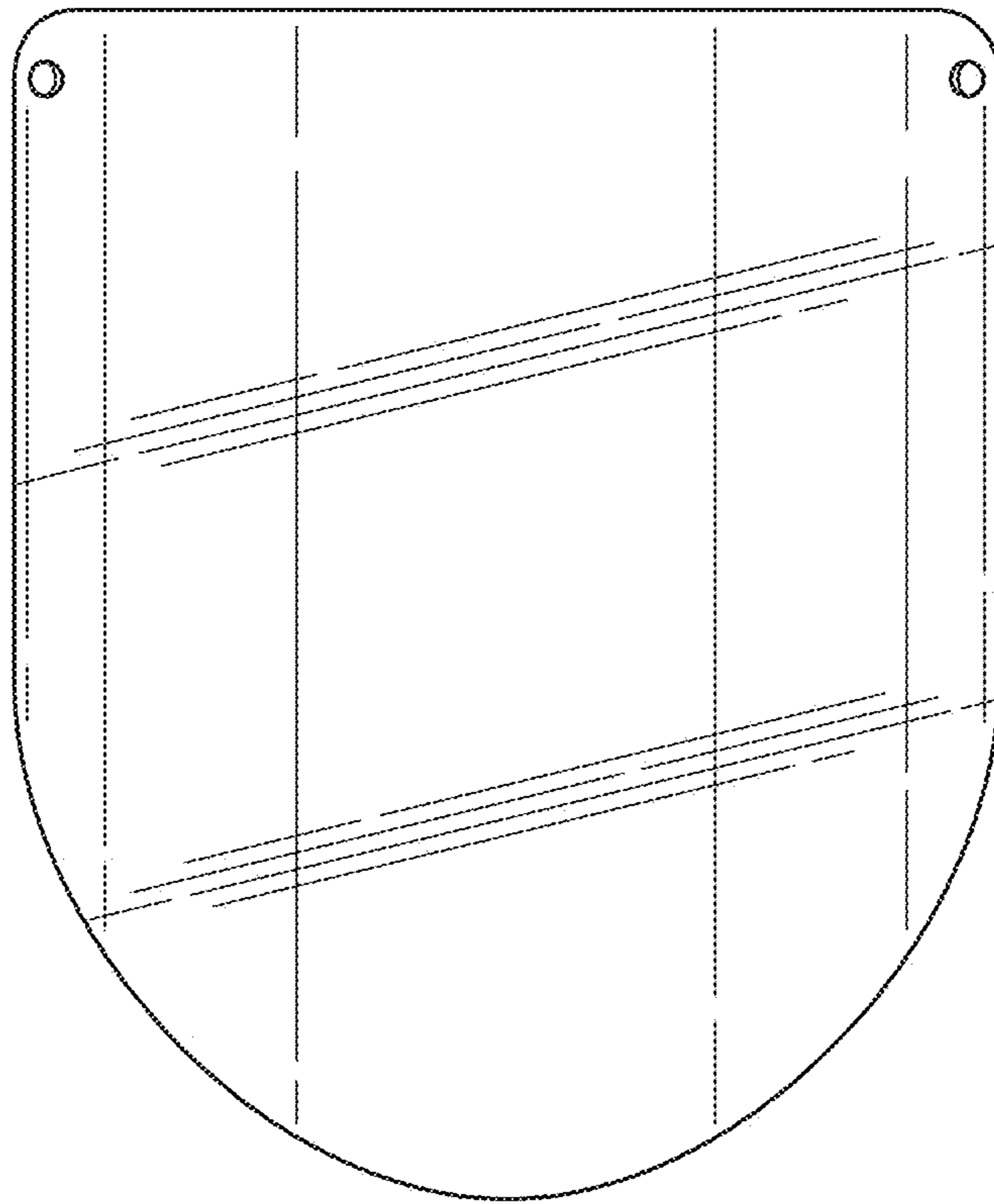


FIG. 3

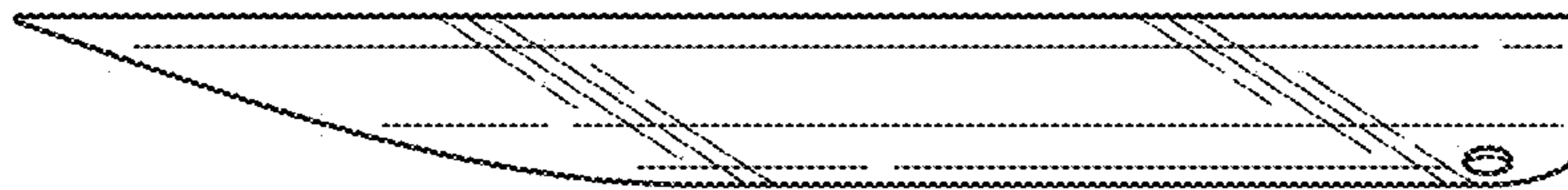


FIG. 4



FIG. 5



FIG. 6



FIG. 7

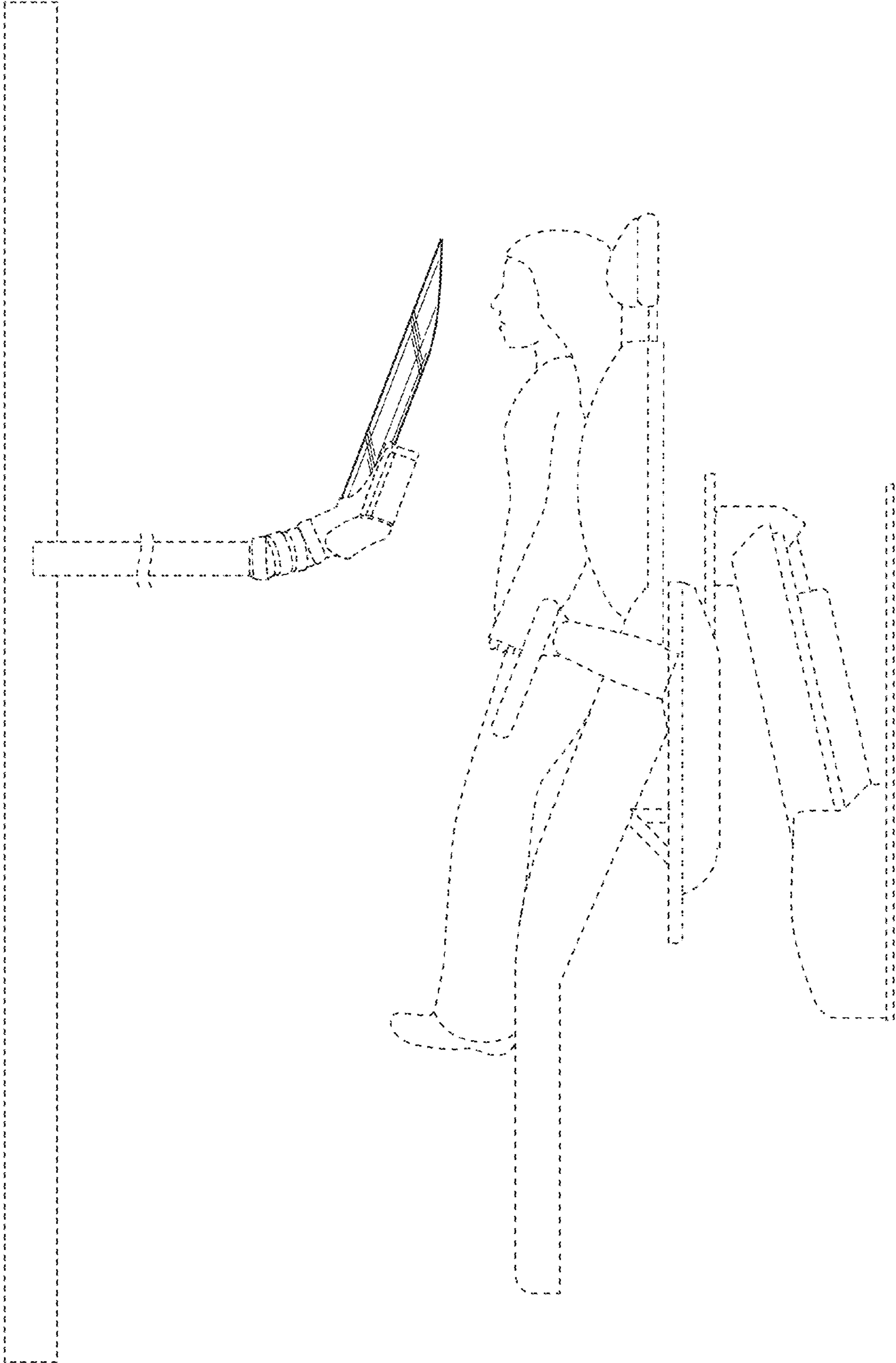


FIG. 8

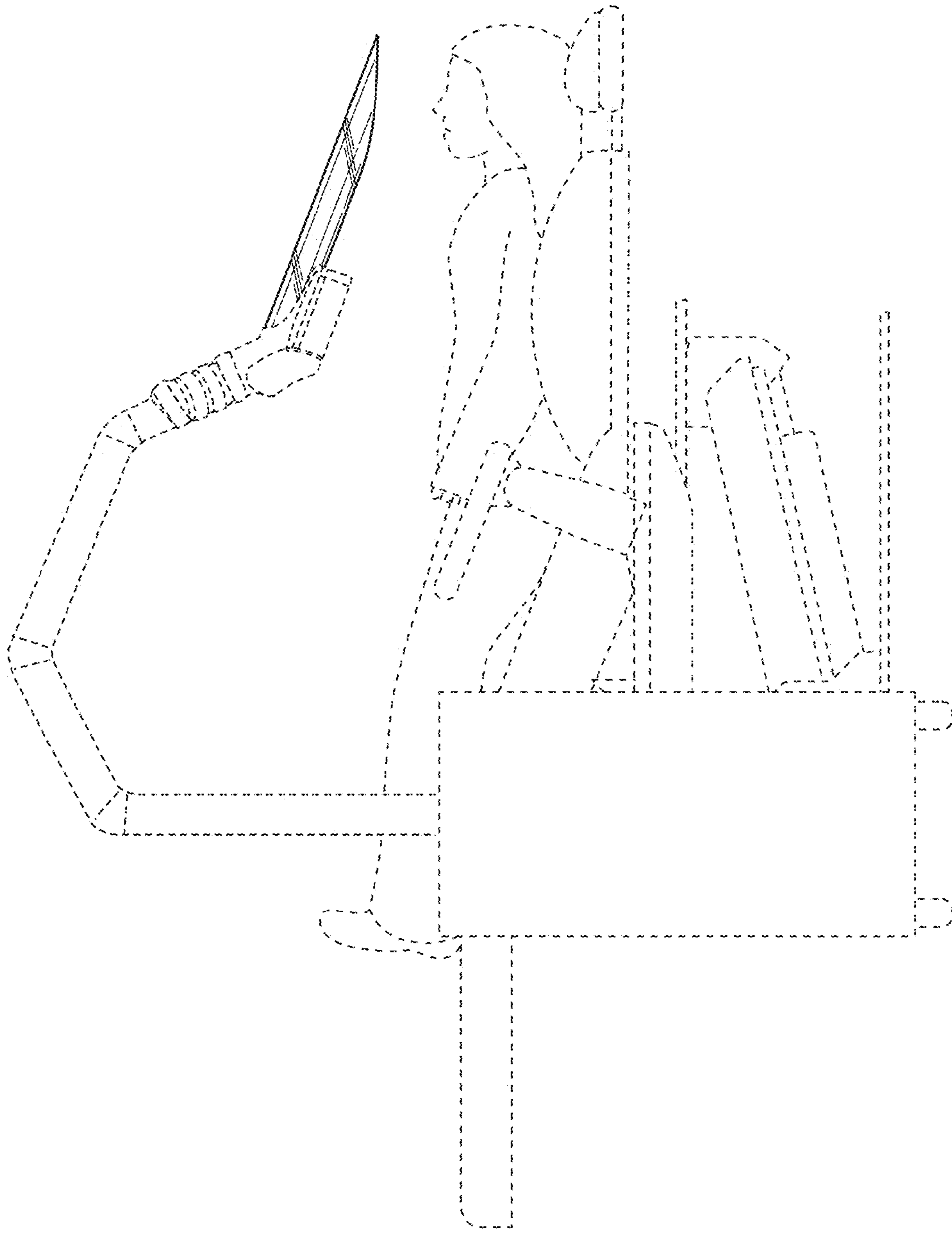


FIG. 9