



US00D942016S

(12) **United States Design Patent** (10) **Patent No.:** **US D942,016 S**  
**Thorne** (45) **Date of Patent:** **\*\* Jan. 25, 2022**

(54) **DENTAL DECORATION**  
(71) Applicant: **Lloyd Thorne**, College Park, GA (US)  
(72) Inventor: **Lloyd Thorne**, College Park, GA (US)  
(\*\*) Term: **15 Years**

D663,425 S \* 7/2012 Massad ..... D24/181  
D663,486 S 7/2012 Turkbaz  
D718,457 S \* 11/2014 Ose ..... D24/181  
D762,859 S \* 8/2016 Hall ..... D24/181  
D870,894 S \* 12/2019 Ross ..... D24/180  
2003/0207224 A1\* 11/2003 Lotte ..... A61C 7/36  
433/6

(Continued)

(21) Appl. No.: **29/712,011**  
(22) Filed: **Nov. 5, 2019**  
(51) **LOC (13) Cl.** ..... **24-02**  
(52) **U.S. Cl.**  
USPC ..... **D24/181**

**FOREIGN PATENT DOCUMENTS**

GB 9007001144-0001 \* 10/2019  
WO 2000038587 7/2000

(58) **Field of Classification Search**  
USPC ..... D24/152, 153, 154, 155, 156, 176, 178,  
D24/179, 180, 181, 182  
CPC .. A61C 1/00; A61C 1/08; A61C 1/084; A61C  
1/16; A61C 3/00; A61C 3/08; A61C 5/00;  
A61C 5/007; A61C 5/20; A61C 5/30;  
A61C 5/70; A61C 7/00; A61C 7/36;  
A61C 8/00; A61C 8/0001; A61C 8/0054;  
A61C 8/008; A61C 8/0081; A61C  
8/0083; A61C 2008/0084; A61C 8/0087;  
A61C 8/0089; A61C 8/0096; A61C 9/00;  
A61C 9/0006; A61C 19/008; A61C  
19/02; A61K 6/00

**OTHER PUBLICATIONS**

Amazon, "Teeth Veneers, Snap On Denture Fake Teeth", first available Aug. 21, 2021. (<https://www.amazon.com/dp/B09D96THTT/>) (Year: 2021).\*

(Continued)

*Primary Examiner* — Lauren D McVey  
*Assistant Examiner* — Justin A Johnson

See application file for complete search history.

(57) **CLAIM**

I claim the ornamental design for dental decoration, as shown and described.

**DESCRIPTION**

(56) **References Cited**

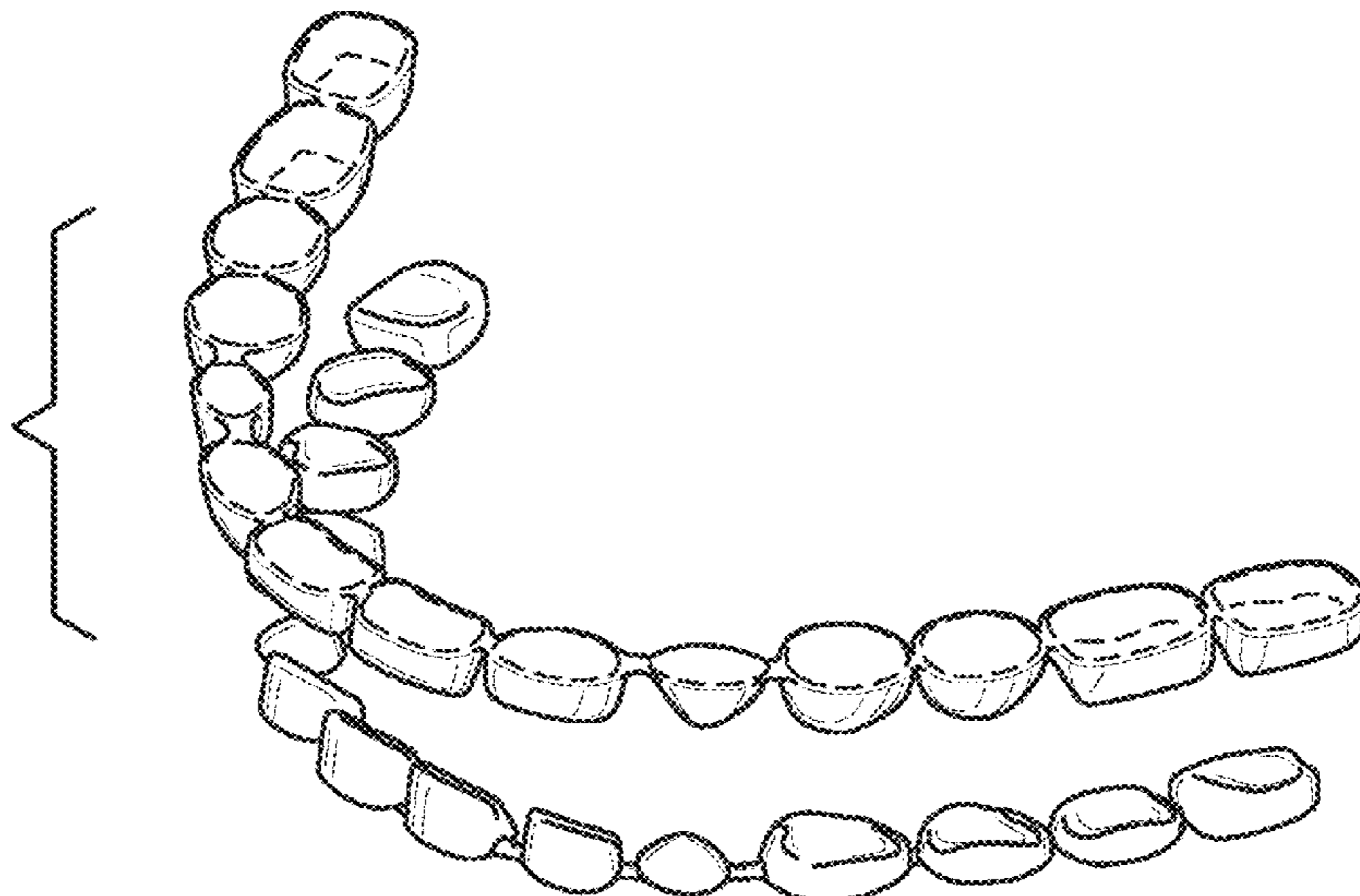
**U.S. PATENT DOCUMENTS**

4,820,157 A \* 4/1989 Salvo ..... A61K 6/884  
433/180  
5,104,320 A 4/1992 Stoll  
5,782,638 A 7/1998 Warren, III  
5,951,291 A 9/1999 Albert  
6,203,326 B1 3/2001 Safstrom  
6,426,149 B1 7/2002 Machida  
7,357,637 B2 \* 4/2008 Liechtung ..... A61C 7/08  
433/167  
7,520,747 B2 \* 4/2009 Stonisch ..... A61C 19/10  
433/167

FIG. 1 is a front elevation view of a dental decoration, showing my new design;  
FIG. 2 is a rear elevation view thereof;  
FIG. 3 is a left side elevation view thereof;  
FIG. 4 is a right side elevation view thereof;  
FIG. 5 is a top plan view thereof;  
FIG. 6 is a bottom plan view thereof; and,  
FIG. 7 is a perspective view thereof.

The broken lines immediately adjacent to the shaded areas depict the bounds of the claimed design, while all other broken lines are directed to environment. The broken lines form no part of the claimed design.

**1 Claim, 4 Drawing Sheets**



(56)

**References Cited**

U.S. PATENT DOCUMENTS

2006/0286502 A1\* 12/2006 Shor ..... A61C 13/1016  
433/26  
2007/0059667 A1 3/2007 Lim  
2008/0003541 A1 1/2008 Leslie-Martin  
2010/0266988 A1\* 10/2010 Satoh ..... A61C 13/097  
433/197  
2019/0000593 A1\* 1/2019 Cam ..... A61C 5/007  
2019/0298499 A1\* 10/2019 Fregoso ..... A61C 13/0022  
2020/0352765 A1\* 11/2020 Lin ..... A61C 5/007

OTHER PUBLICATIONS

Amazon, "Snap On False Teeth", first available Sep. 11, 2021.  
(<https://www.amazon.ca/dp/B09F717BVK/>) (Year: 2021).\*

Amazon, "Snap On Teeth Veneers", first available Aug. 30, 2021.  
(<https://www.amazon.com/Cosmetic-Whitening-Customizable-Temporary-Confidence/dp/B09F3QSFC9/>) (Year: 2021).\*

Instagram, "instasmile\_usa", first available Feb. 15, 2021. (<https://www.instagram.com/p/CLVGVyujL-j/>) (Year: 2021).\*

\* cited by examiner

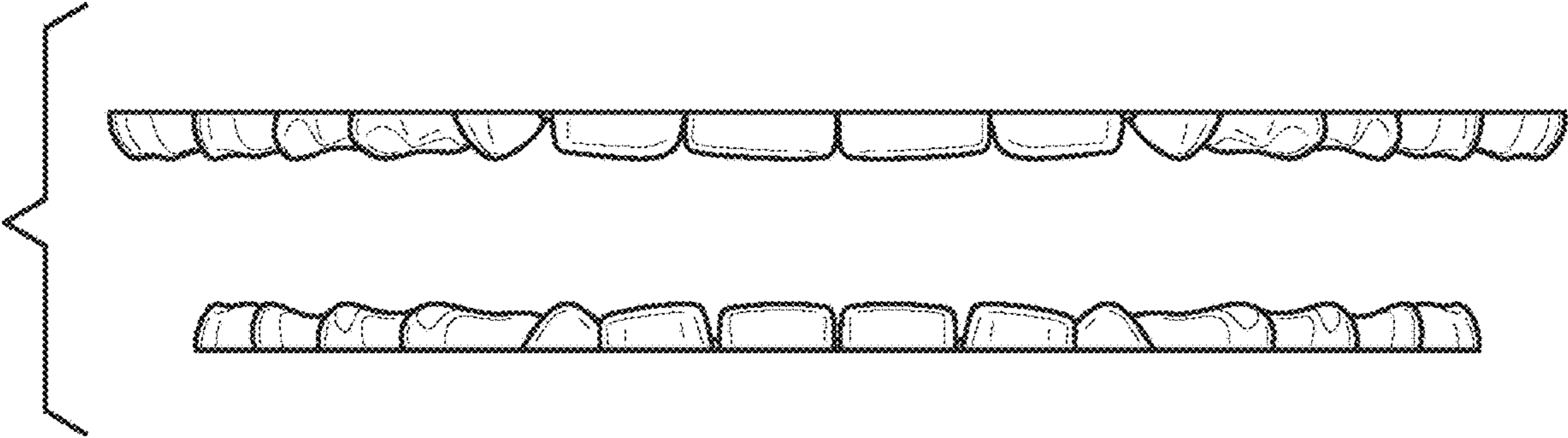


FIG. 1

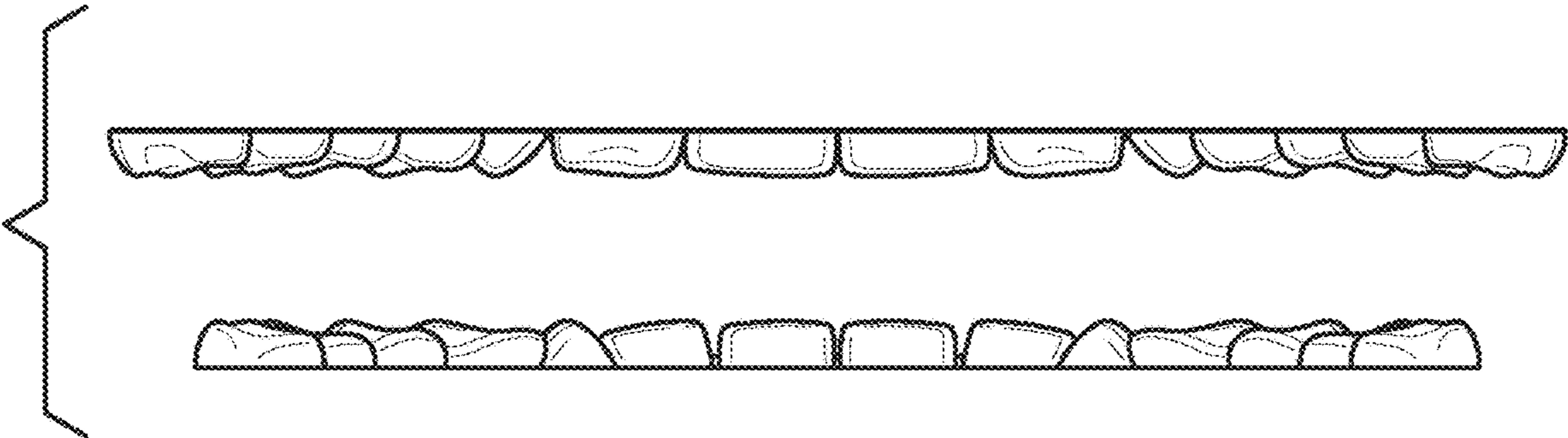


FIG. 2

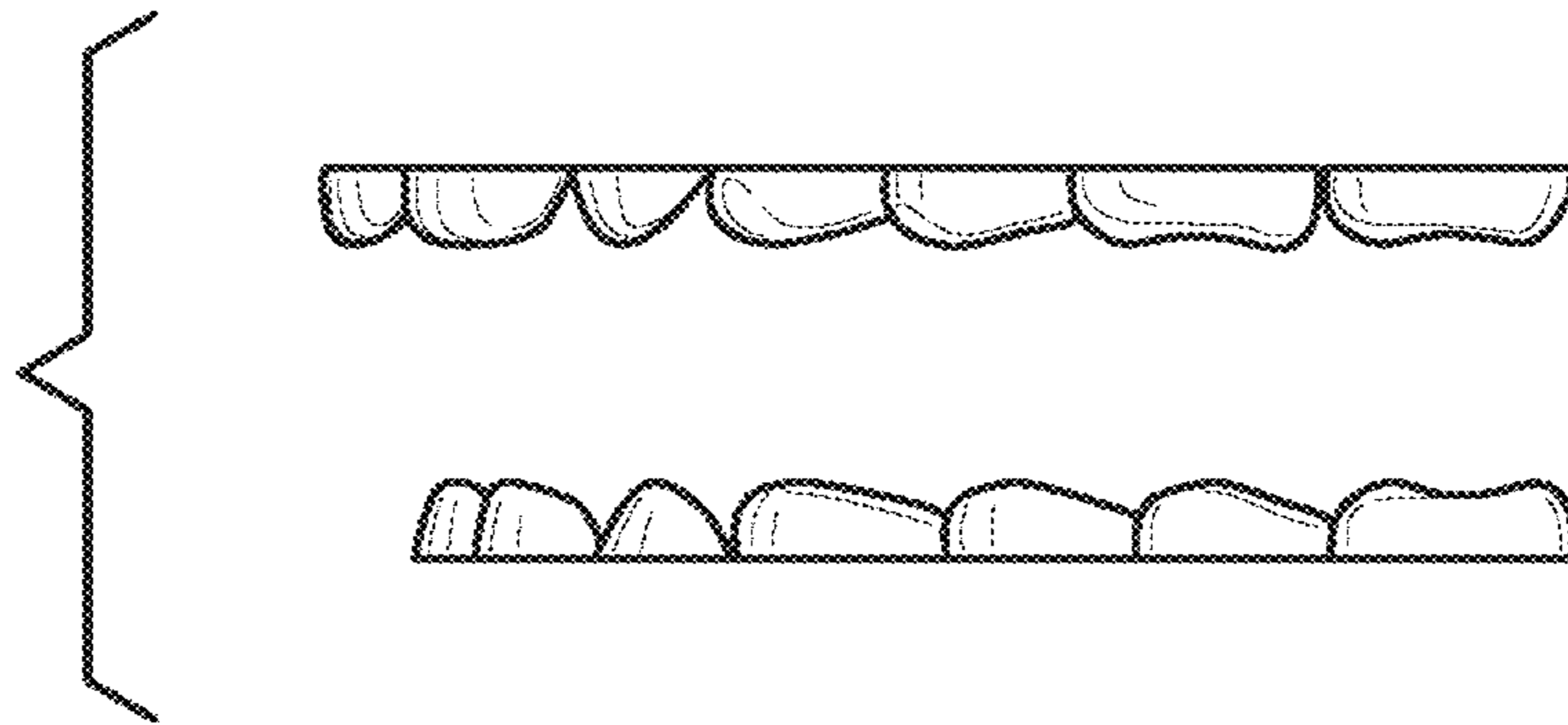


FIG. 3

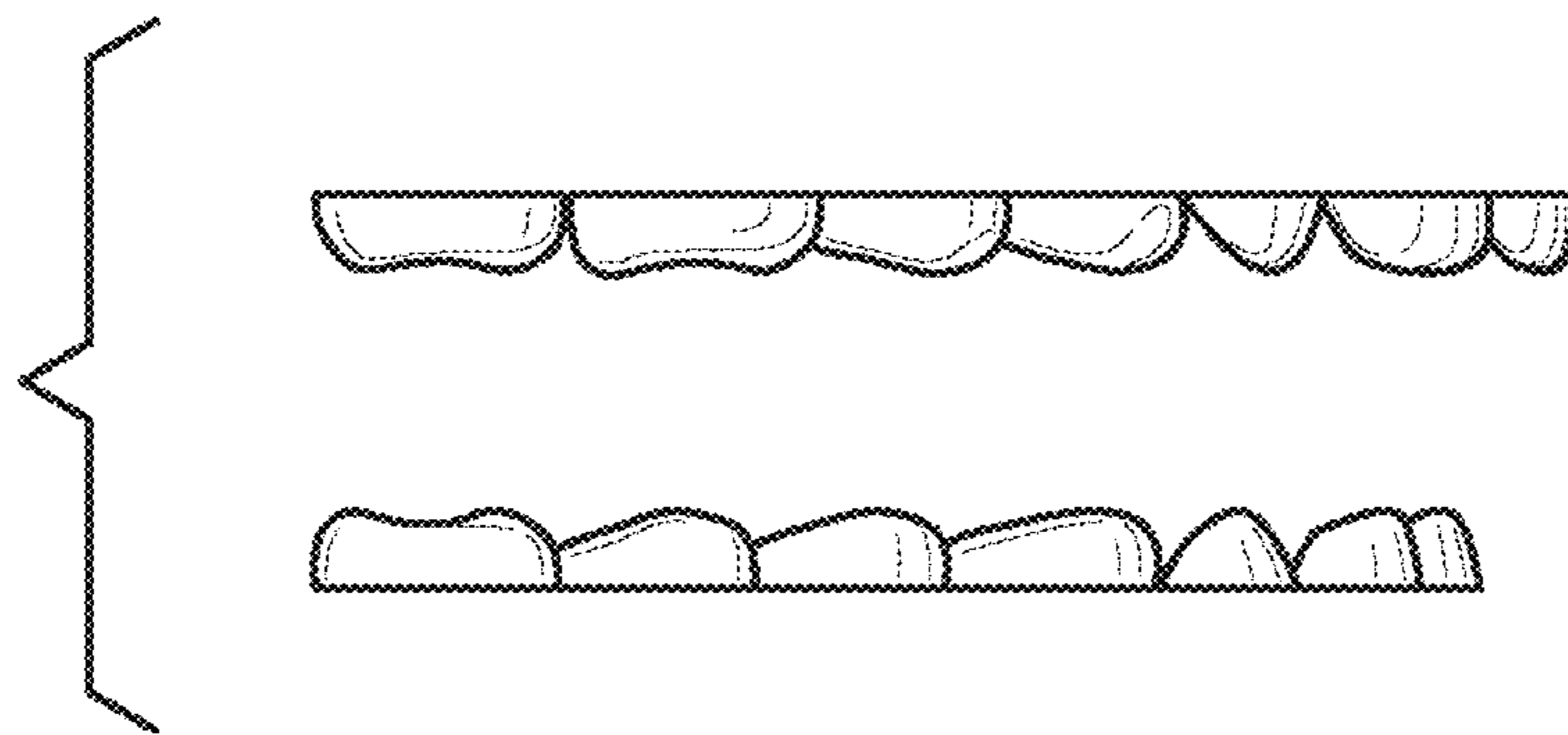


FIG. 4

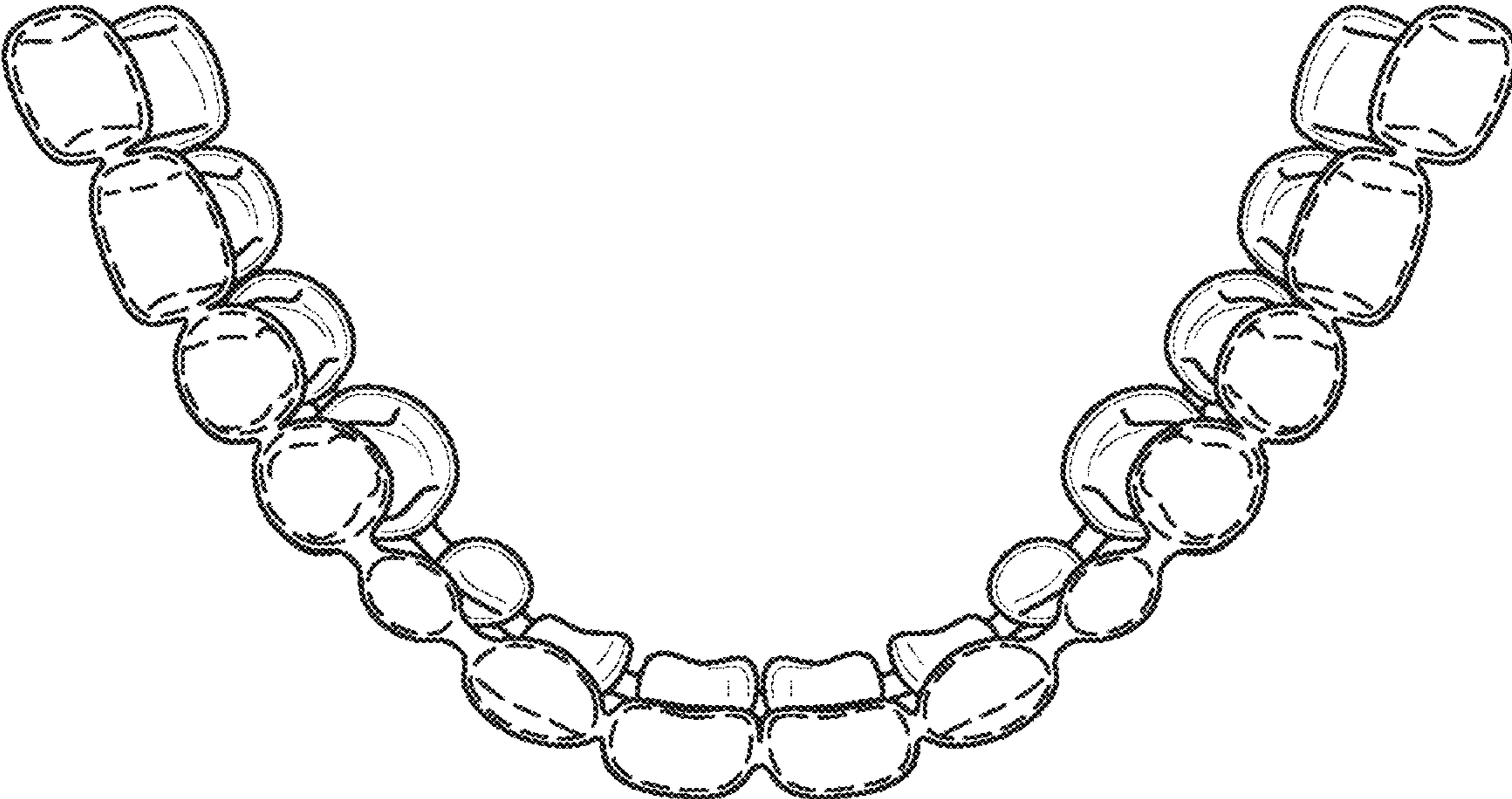


FIG. 5

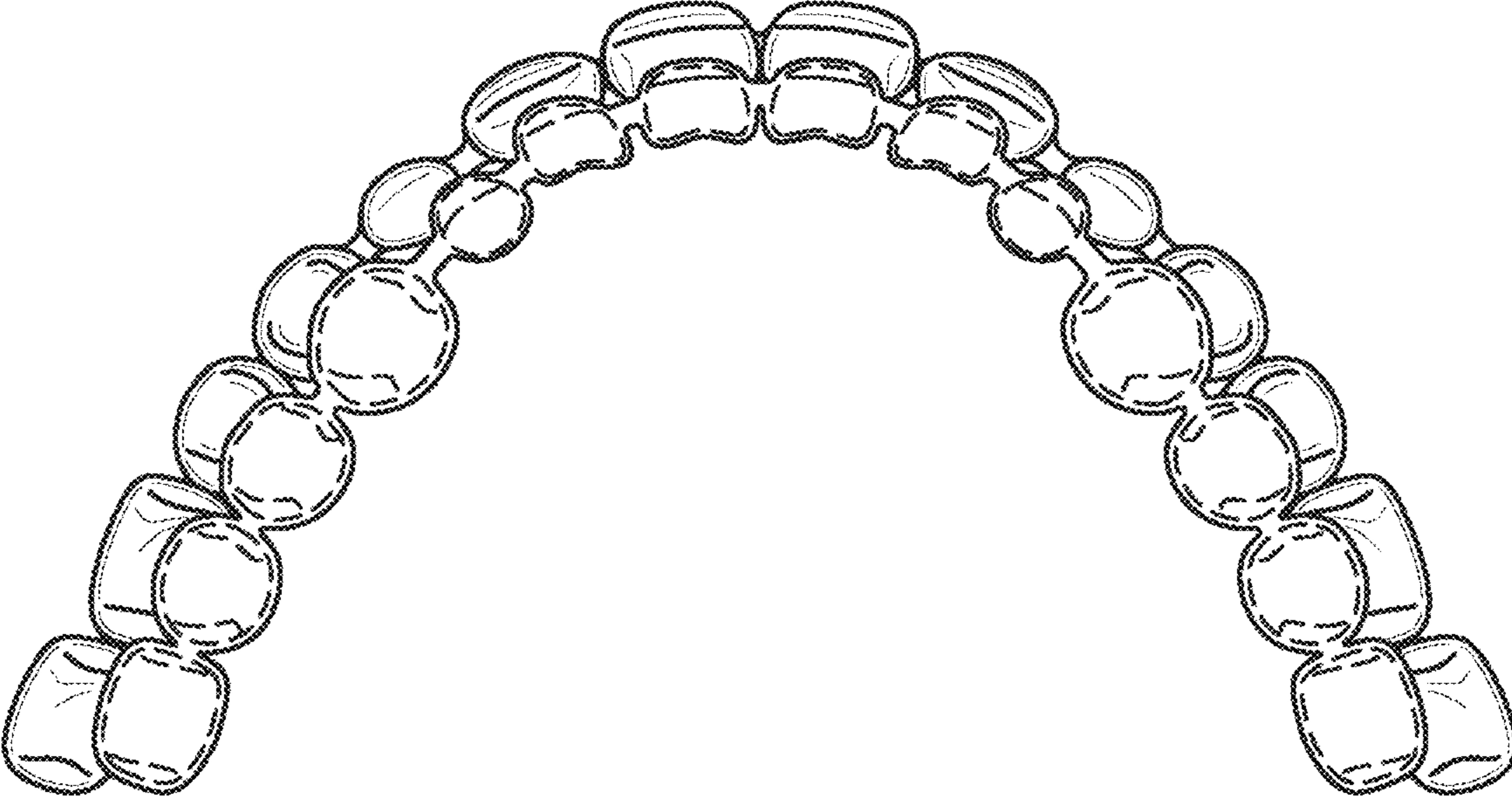


FIG. 6

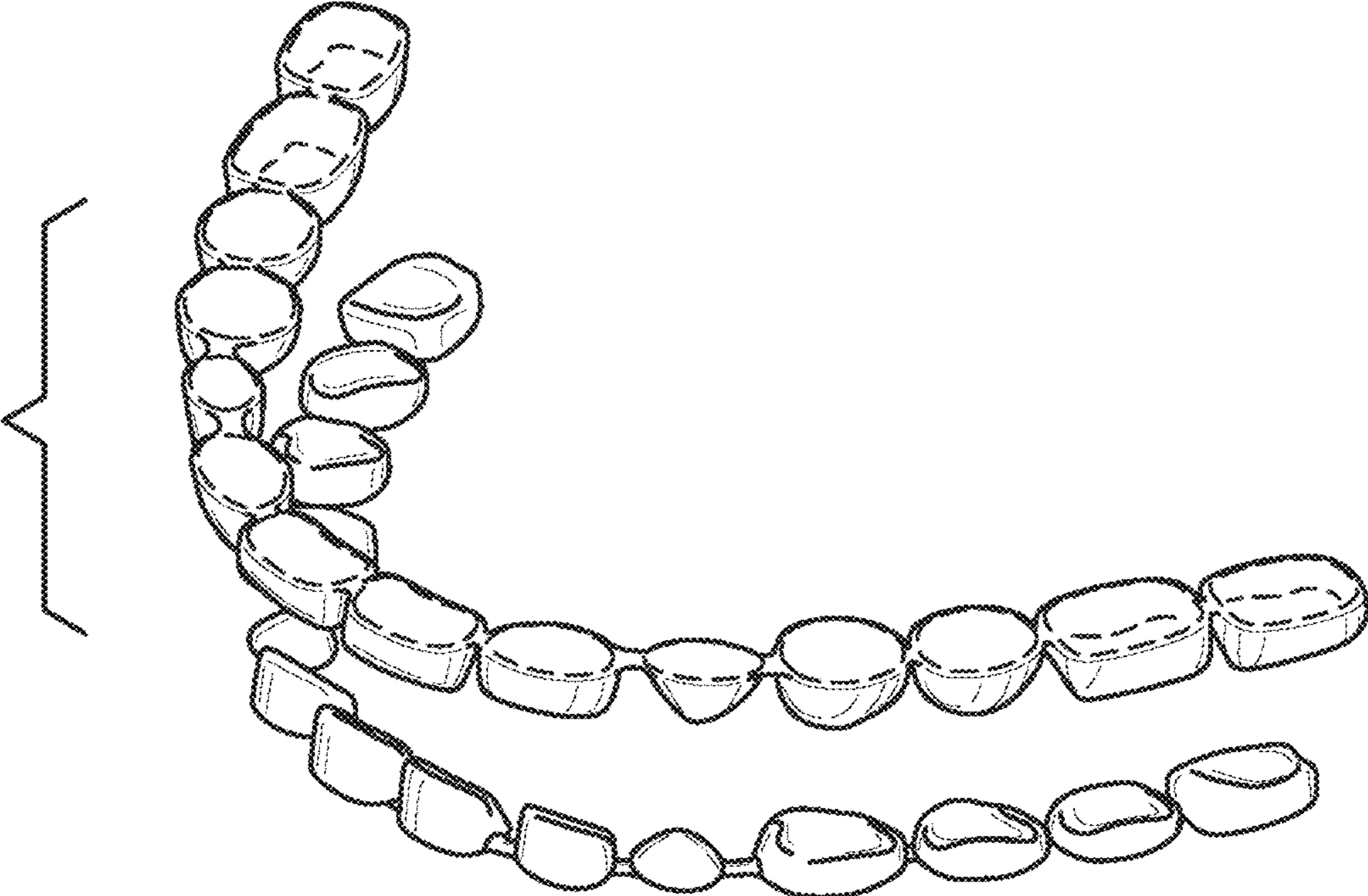


FIG. 7