



US00D942014S

(12) **United States Design Patent**
Elazar et al.

(10) **Patent No.:** **US D942,014 S**
(45) **Date of Patent:** **** Jan. 25, 2022**

- (54) **STAND FOR DENTAL INSTRUMENT**
- (71) Applicant: **DENTAL SMARTMIRROR, INC.**,
Chicago, IL (US)
- (72) Inventors: **Gidon Oded Elazar**, Cohav Yair (IL);
Dan Zidkiahu Harkabi, Moshav
Lachish (IL); **Eitan Sharif**, Kibbutz
Gesher Haziv (IL); **Gideon Ashkenazi**,
Raanana (IL)
- (73) Assignee: **Dental SmartMirror Inc.**, Chicago, IL
(US)
- (**) Term: **15 Years**
- (21) Appl. No.: **29/724,847**
- (22) Filed: **Feb. 19, 2020**
- (51) **LOC (13) Cl.** **24-02**
- (52) **U.S. Cl.**
USPC **D24/176**
- (58) **Field of Classification Search**
USPC D24/176-178, 184-185, 128, 229;
D6/512, 534-536; D8/373
CPC A61G 15/14; A61G 15/16; A61G 15/10;
A61C 3/04; A61C 19/00; A61C 19/001;
A61C 19/006
See application file for complete search history.

- 5,226,536 A * 7/1993 Elliott A61C 3/04
206/303
- 5,967,778 A * 10/1999 Riitano A61C 3/04
206/366
- 7,066,329 B2 * 6/2006 Riley A61C 3/04
206/369
- D879,300 S * 3/2020 Pfleiderer D24/176
- D882,095 S * 4/2020 Sarig D24/176
- 2018/0369485 A1 * 12/2018 Yalisove A61C 19/00

* cited by examiner

Primary Examiner — Wan Laymon

(74) *Attorney, Agent, or Firm* — Sterne, Kessler,
Goldstein & Fox P.L.L.C.

(57) **CLAIM**

The ornamental design for a stand for dental instrument, as shown and described.

DESCRIPTION

This application is related to U.S. application Ser. Nos. 29/724,844 and 29/724,845, respectively.

FIG. 1 is a top front perspective view of a stand for dental instrument showing the claimed design;

FIG. 2 is a bottom rear perspective view thereof;

FIG. 3 is a front view thereof;

FIG. 4 is a rear view thereof;

FIG. 5 is a right side view thereof, the left side view being a mirror image thereof;

FIG. 6 is a top view thereof;

FIG. 7 is a bottom view thereof; and,

FIG. 8 is a perspective reference view of the stand for dental instrument of the present invention showing the claimed design in an environment in which it may be used.

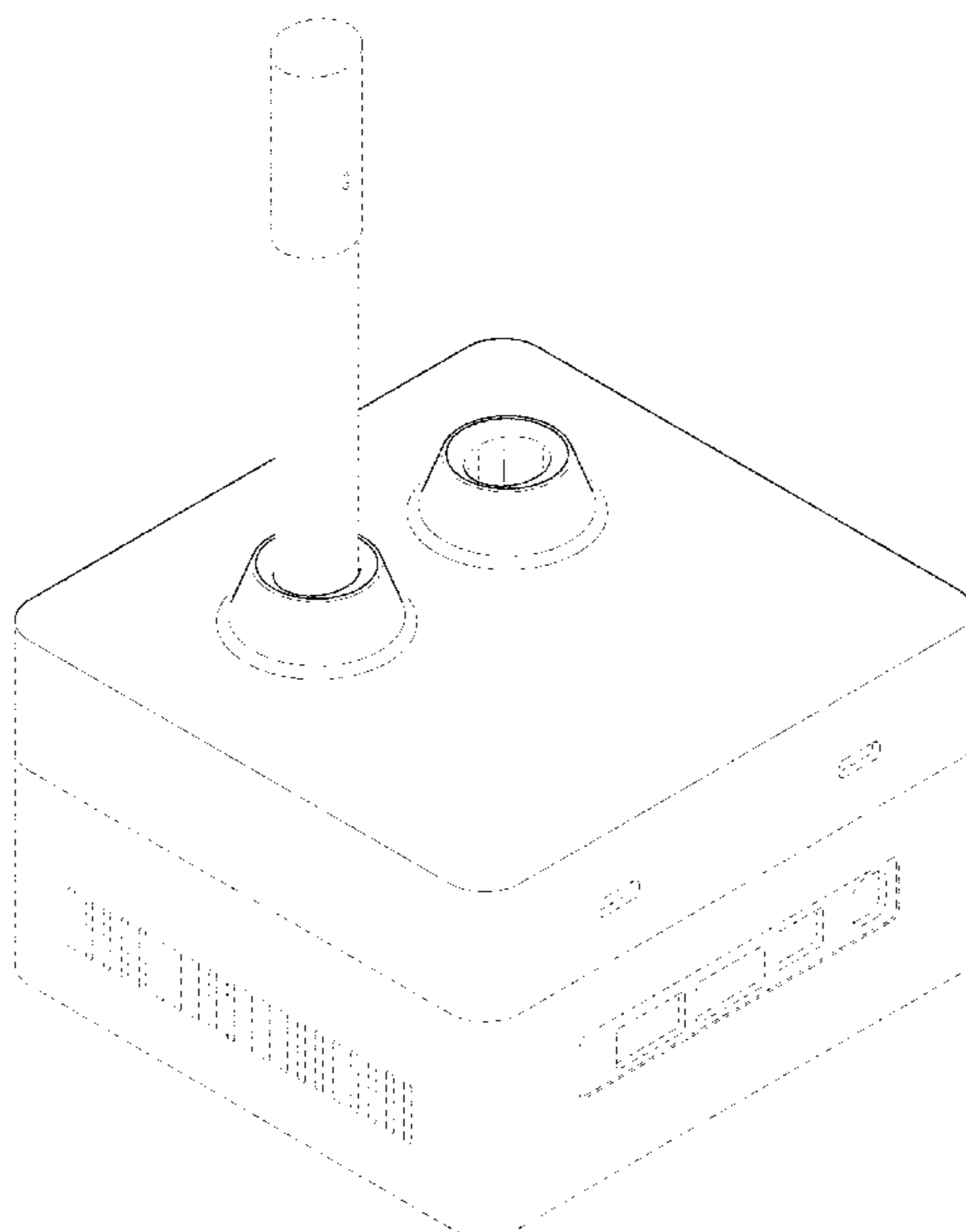
The broken lines in the figures show portions of the stand for dental instrument and environment that form no part of the claimed design.

1 Claim, 8 Drawing Sheets

(56) **References Cited**

U.S. PATENT DOCUMENTS

- 3,451,133 A * 6/1969 Henry A61C 3/04
433/77
- 4,253,830 A * 3/1981 Kazen A61C 3/04
206/368
- 4,308,011 A 12/1981 Liefke
- 5,161,970 A 11/1992 Baskas



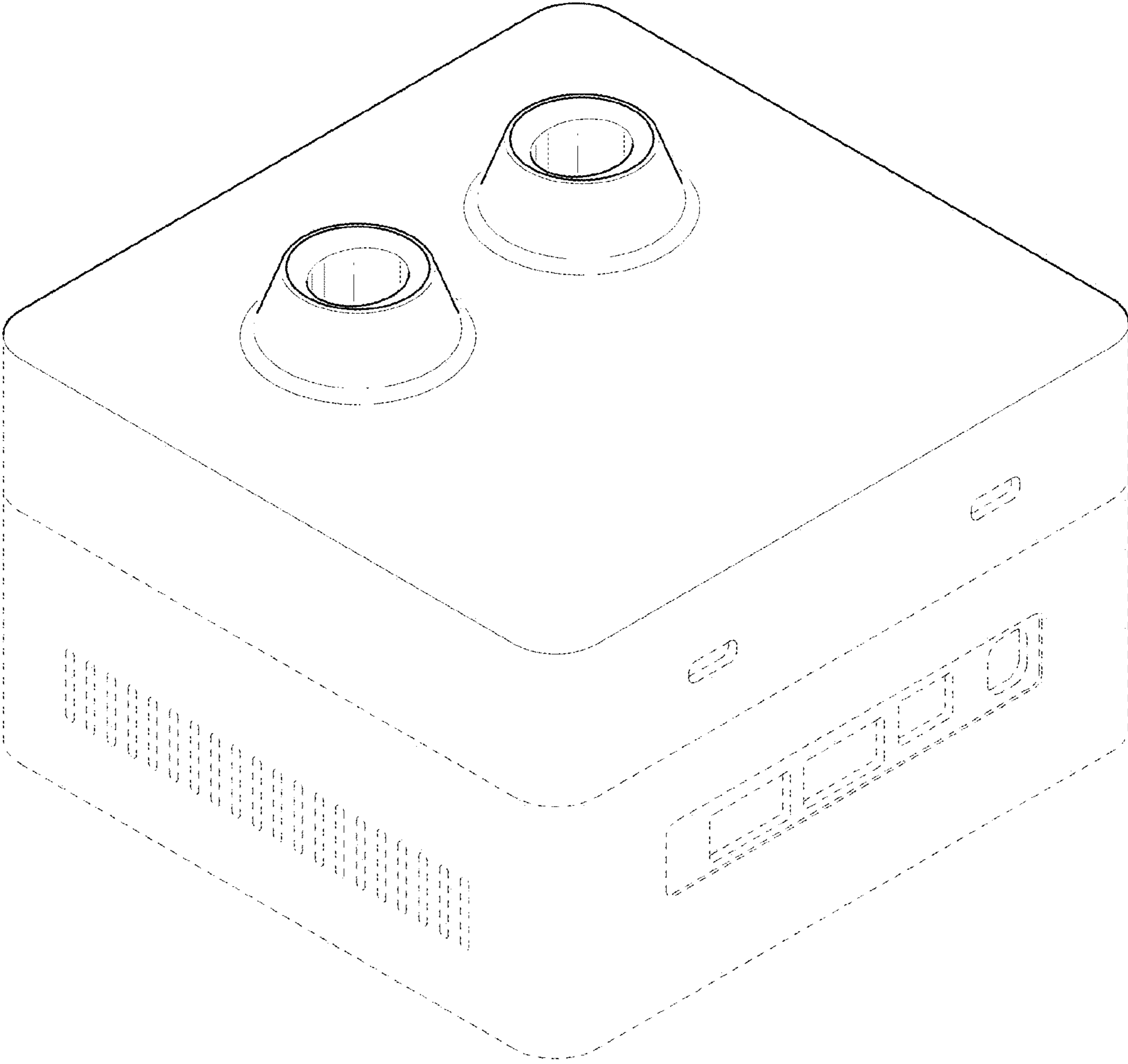


FIG. 1

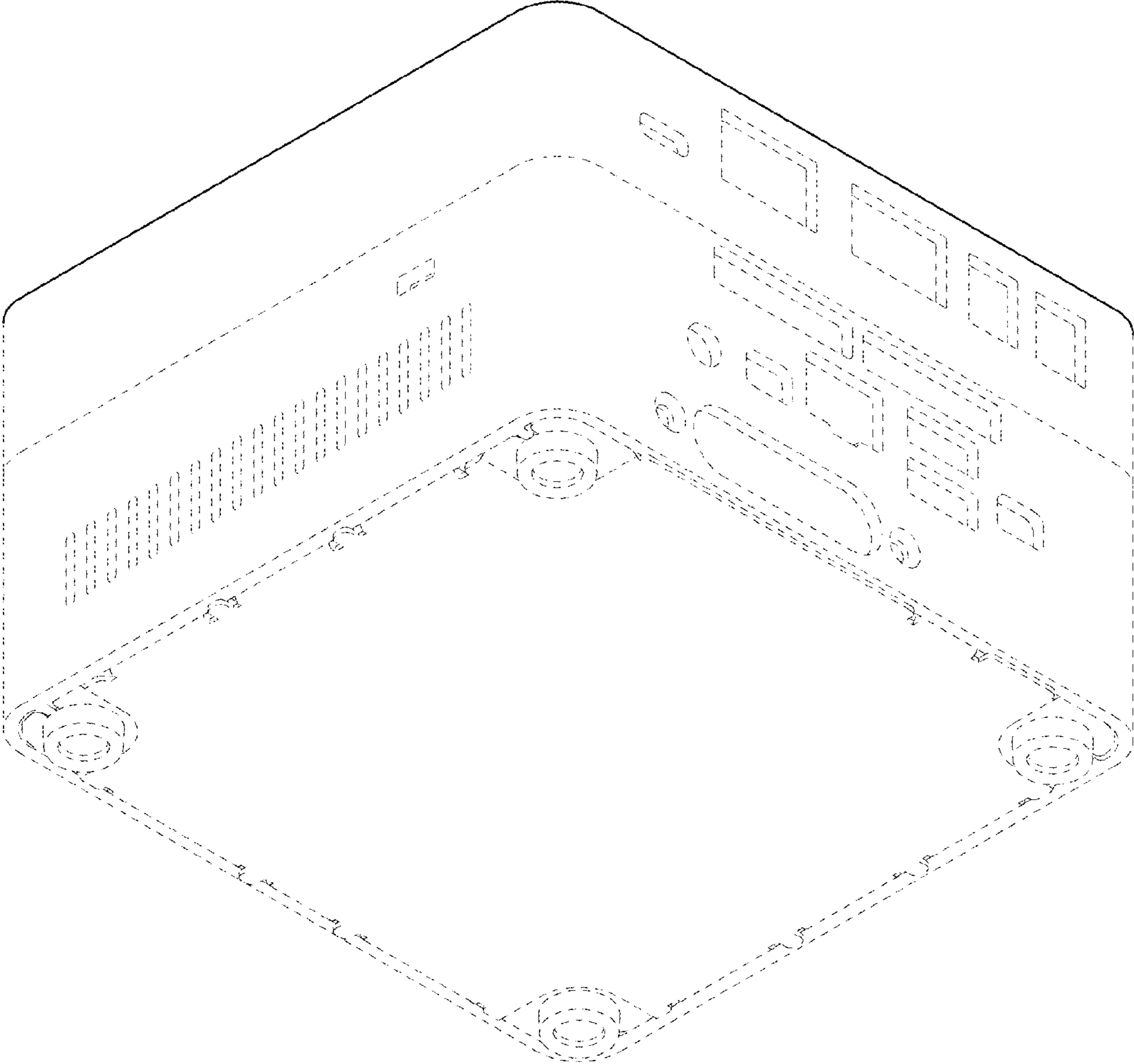


FIG. 2

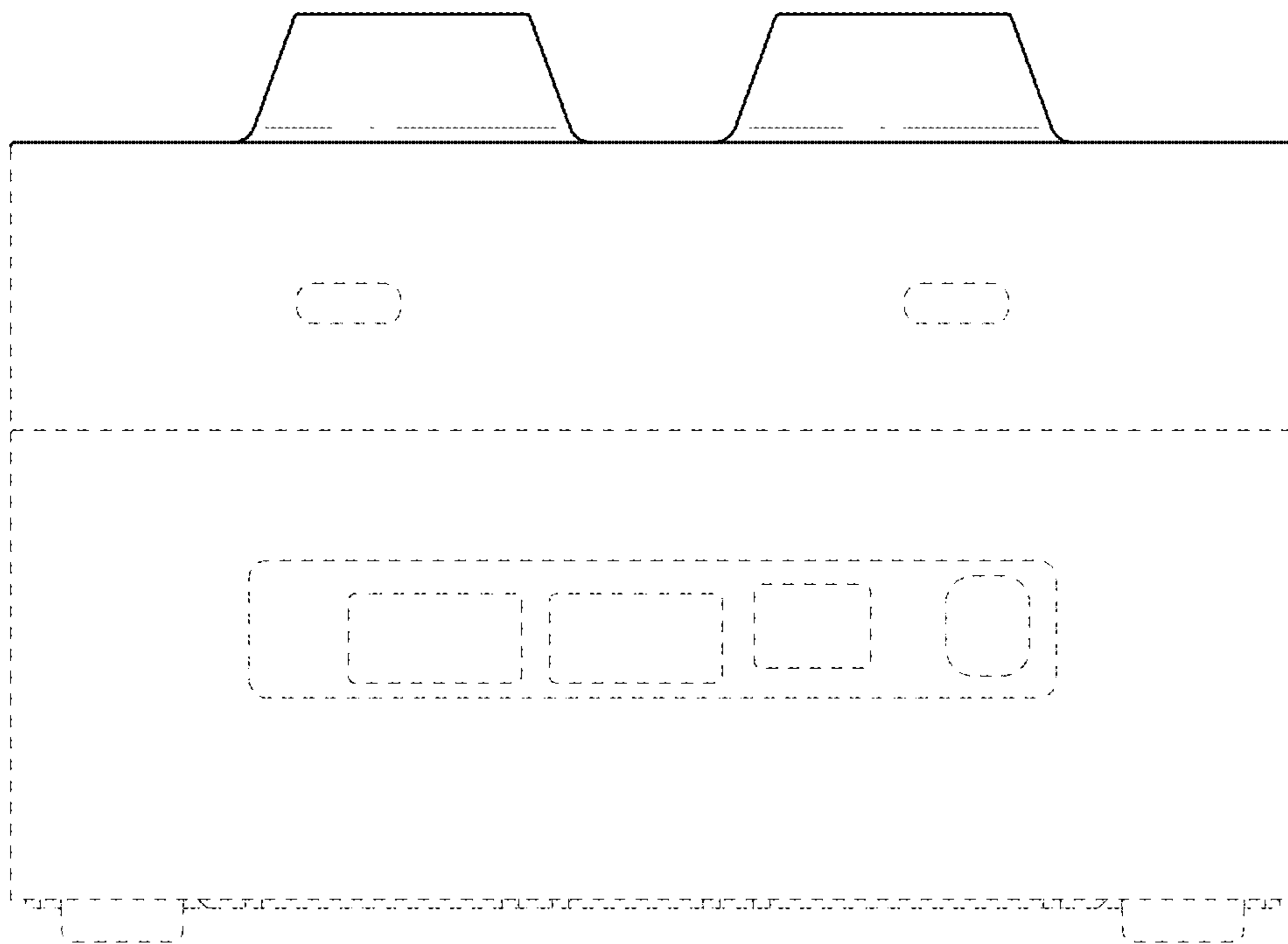


FIG. 3

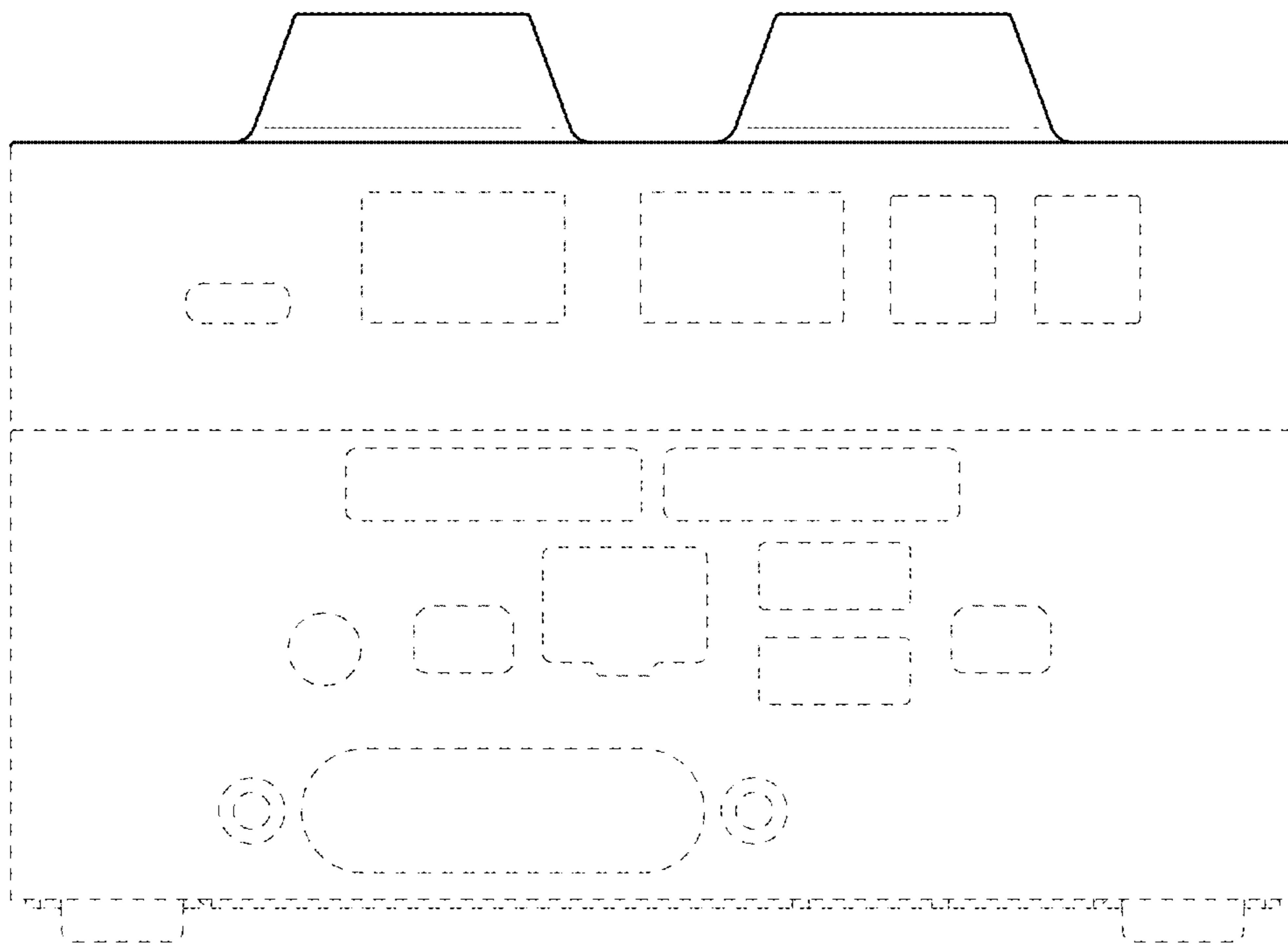


FIG. 4

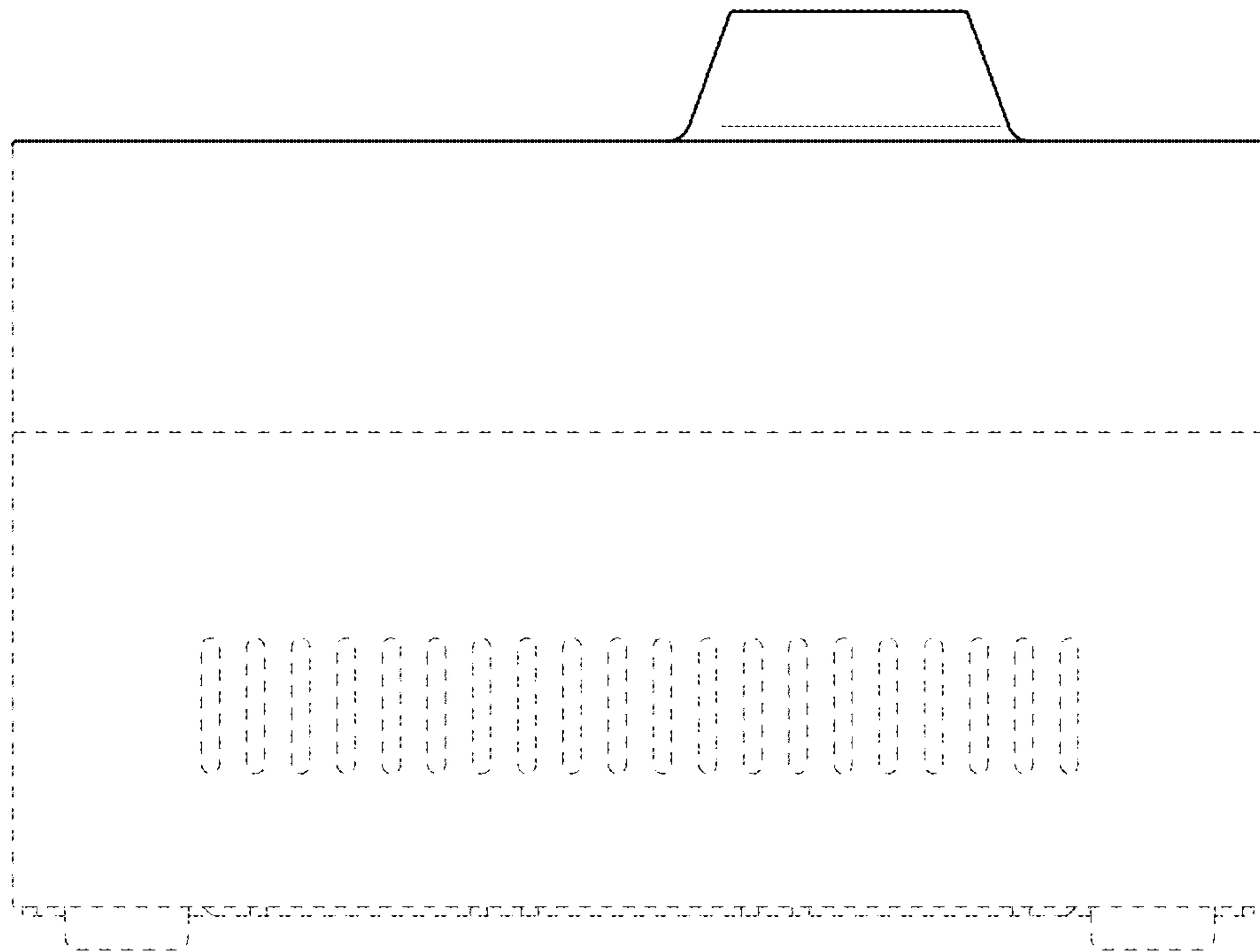


FIG. 5

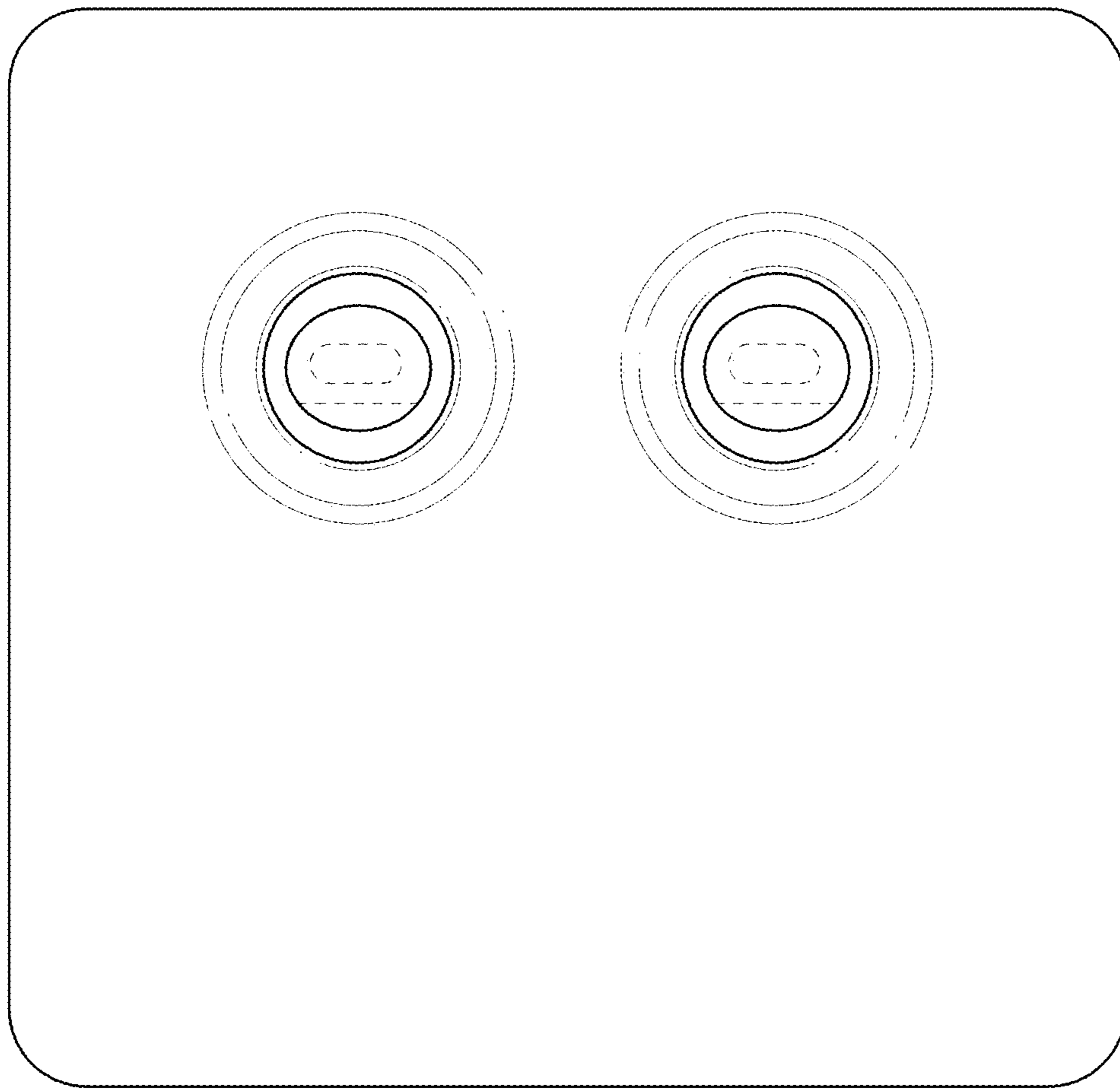


FIG. 6

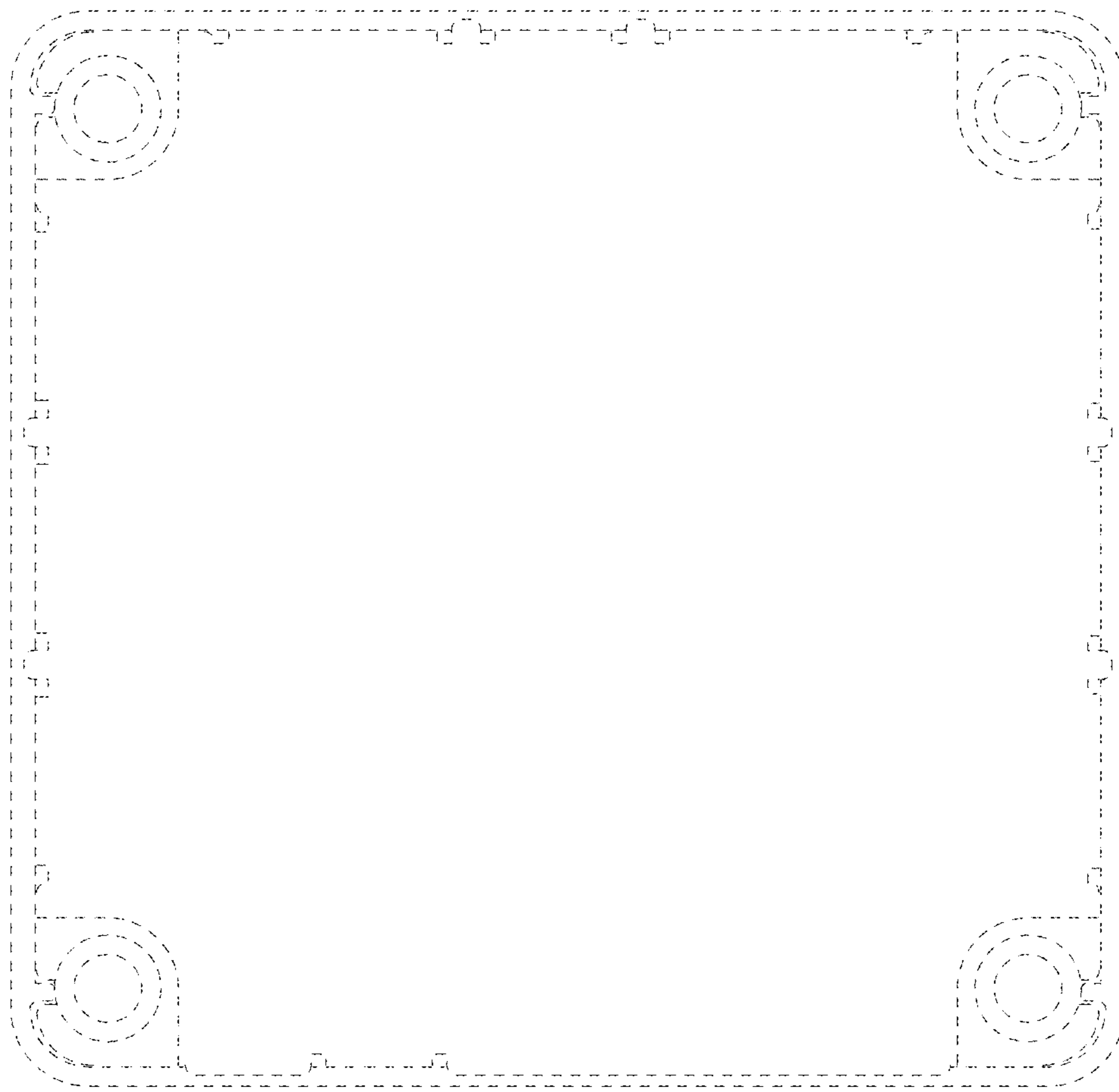


FIG. 7

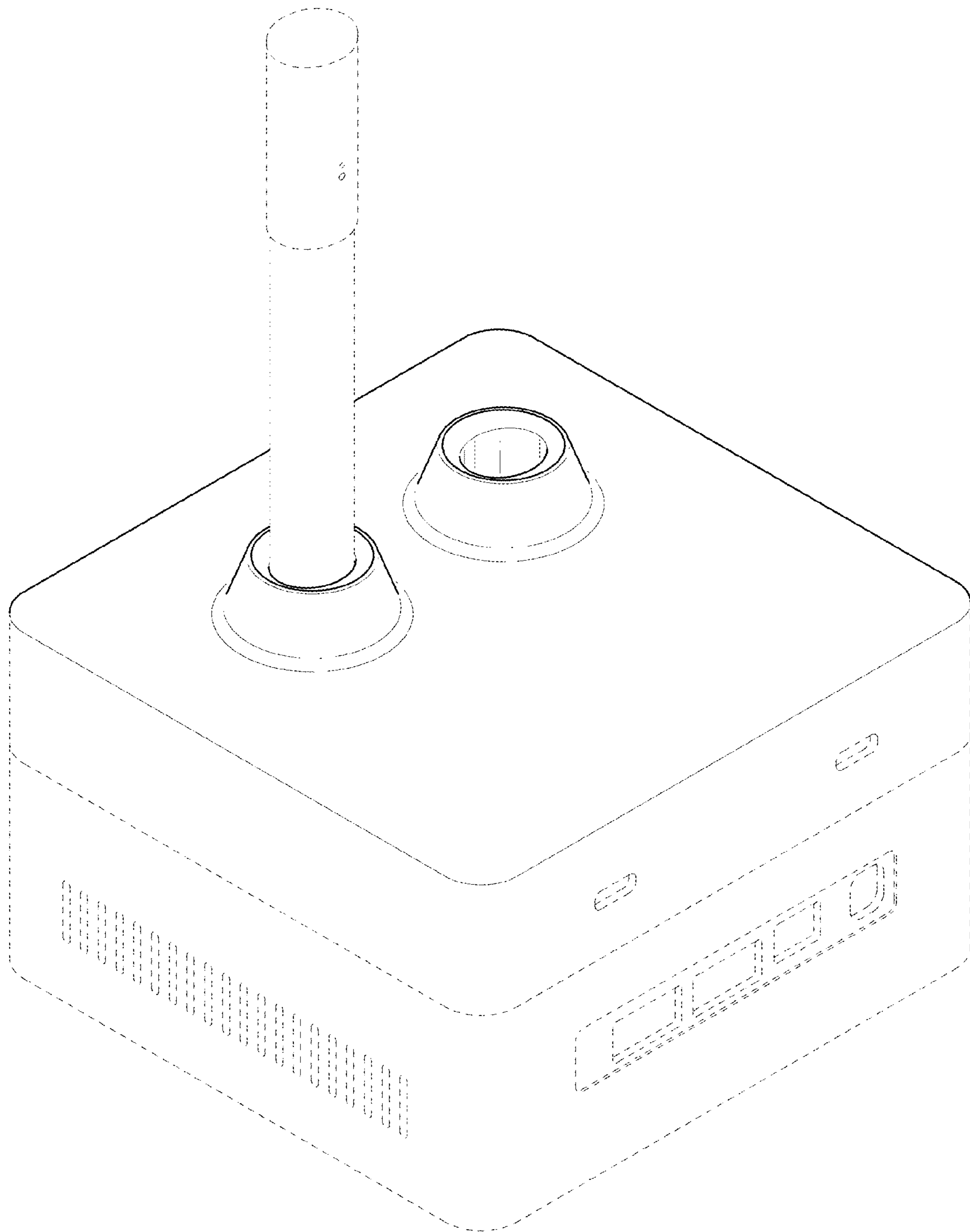


FIG. 8