



US00D942012S

(12) **United States Design Patent**
Nacev et al.

(10) **Patent No.:** **US D942,012 S**
(45) **Date of Patent:** **** Jan. 25, 2022**

(54) **ANALYTICAL DEVICE**
(71) Applicant: **Promaxo, Inc.**, Oakland, CA (US)
(72) Inventors: **Aleksandar Nacev**, San Francisco, CA (US); **Amit Vohra**, Rocklin, CA (US); **Ryan Hilaman**, Oakland, CA (US); **Said Ijanaten**, Bethesda, MD (US)
(73) Assignee: **Promaxo, Inc.**, Oakland, CA (US)
(**) Term: **15 Years**

D639,948 S 6/2011 Personelli
D658,294 S 4/2012 Awad
D665,911 S 8/2012 Laukkanen
D726,917 S 4/2015 Kim
D742,523 S 11/2015 Sui
D757,939 S 5/2016 Tsujita et al.
D783,830 S 4/2017 Baba
D804,031 S 11/2017 Hsu et al.
D817,494 S 5/2018 Apetauer et al.
D857,203 S 8/2019 Kim et al.
D890,927 S * 7/2020 Chong D24/158
D893,725 S * 8/2020 You D24/158
2017/0325763 A1 11/2017 Hoernig et al.
2018/0252782 A1* 9/2018 You G01R 33/34007

(21) Appl. No.: **29/744,371**
(22) Filed: **Jul. 28, 2020**

* cited by examiner

Primary Examiner — Anhdao Doan
(74) *Attorney, Agent, or Firm* — K&L Gates LLP

Related U.S. Application Data

(62) Division of application No. 29/681,014, filed on Feb. 21, 2019, now Pat. No. Des. 895,803.
(51) **LOC (13) Cl.** **24-01**
(52) **U.S. Cl.**
USPC **D24/158**
(58) **Field of Classification Search**
USPC D24/107, 158–160, 185–187
CPC G01N 2223/1016; G01N 2223/301; G01N 2223/031; G01N 2223/419; G01N 23/046; G01R 33/48; A61B 5/055
See application file for complete search history.

(57) **CLAIM**

The ornamental design for an analytical device, as shown and described.

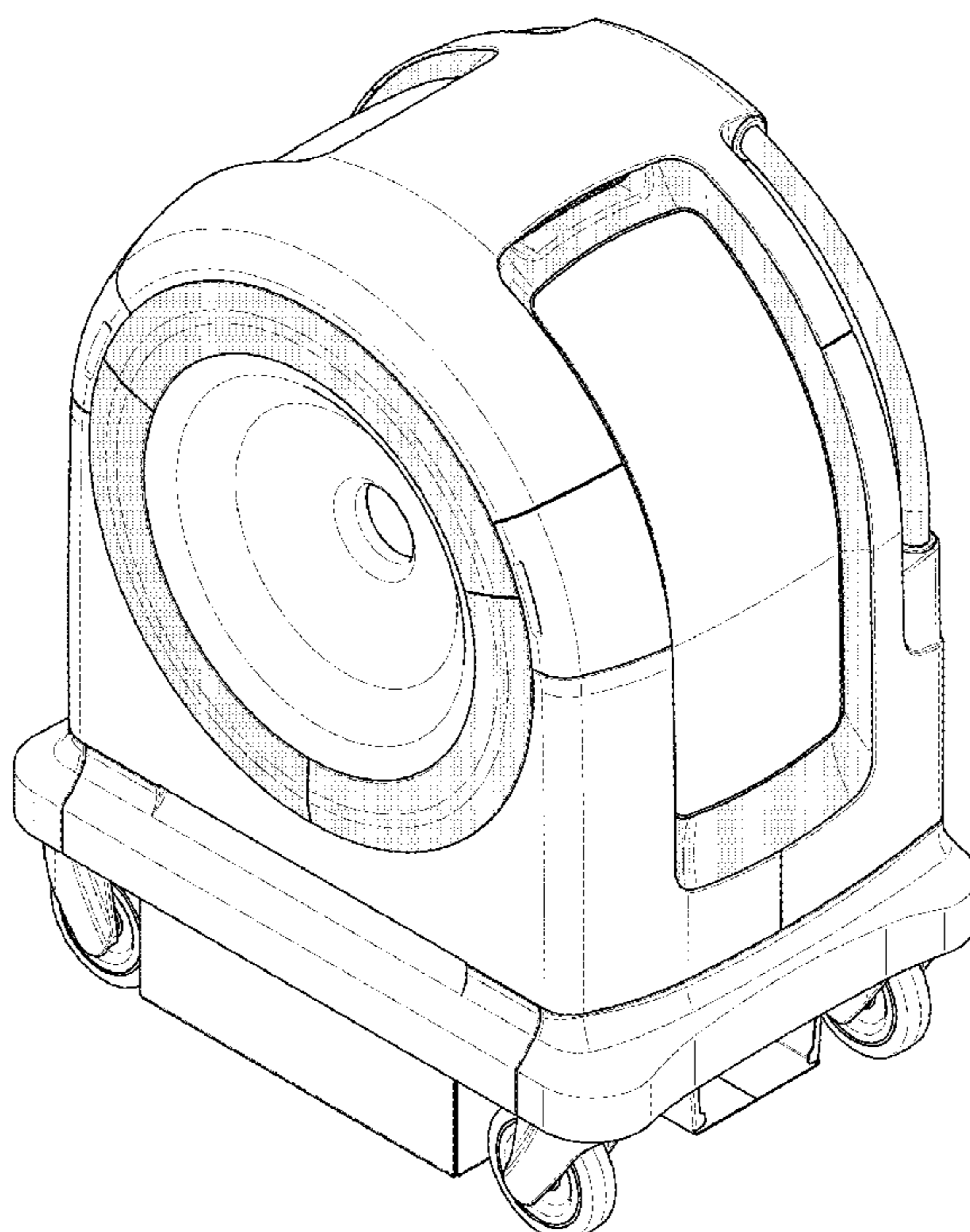
DESCRIPTION

FIG. 1 is a perspective view of an analytical device of our new design.
FIG. 2 is a front view of the analytical device of FIG. 1.
FIG. 3 is a back view of the analytical device of FIG. 1.
FIG. 4 is a side view of the analytical device of FIG. 1.
FIG. 5 is another side view of the analytical device of FIG. 1.
FIG. 6 is a top view of the analytical device of FIG. 1; and, FIG. 7 is a bottom view of the analytical device of FIG. 1.
The broken lines illustrate portions of the analytical device that form no part of the claimed design.

(56) **References Cited**
U.S. PATENT DOCUMENTS

D557,418 S 12/2007 Onuma et al.
D591,862 S * 5/2009 Taniguchi D24/158

1 Claim, 7 Drawing Sheets



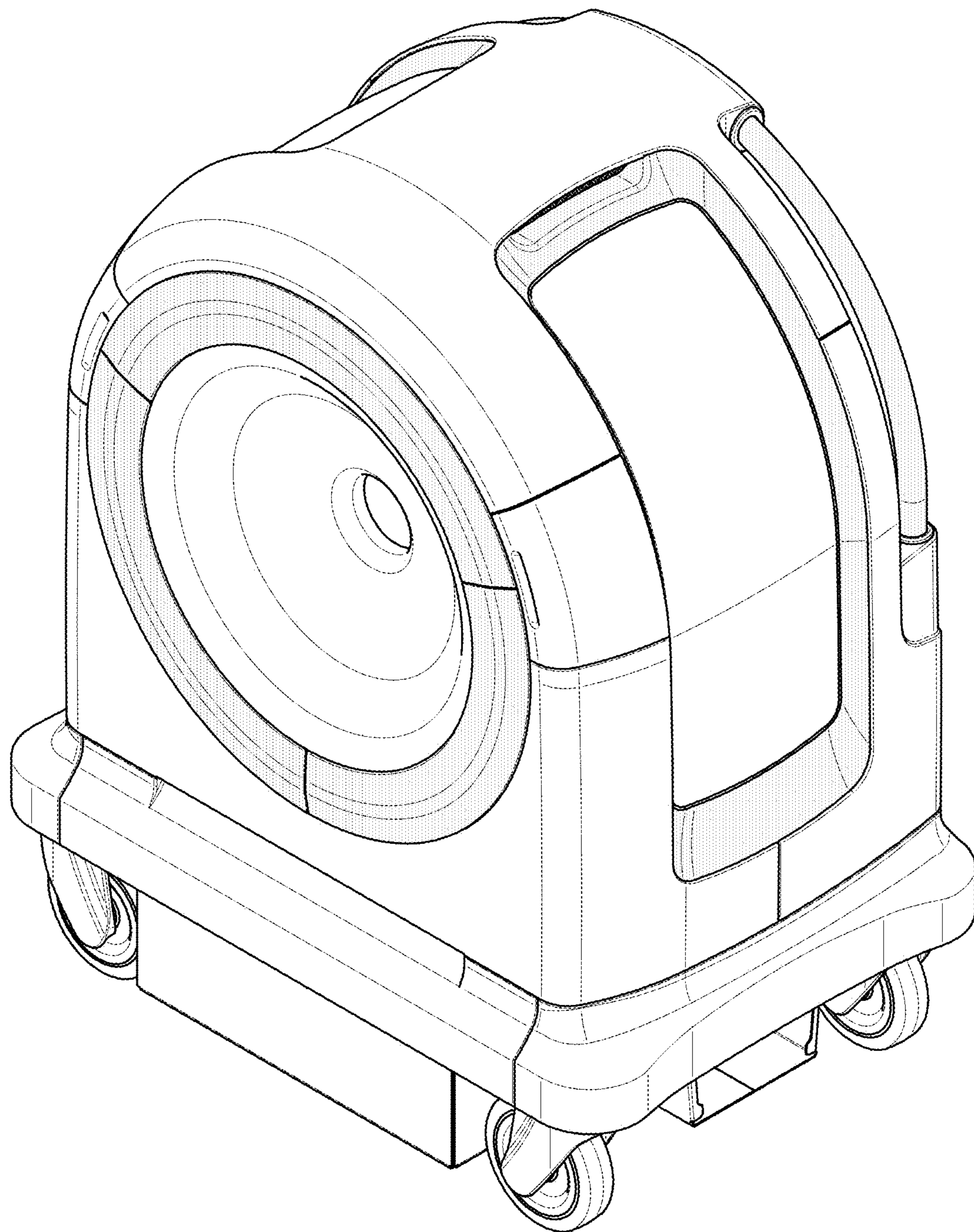


FIG. 1

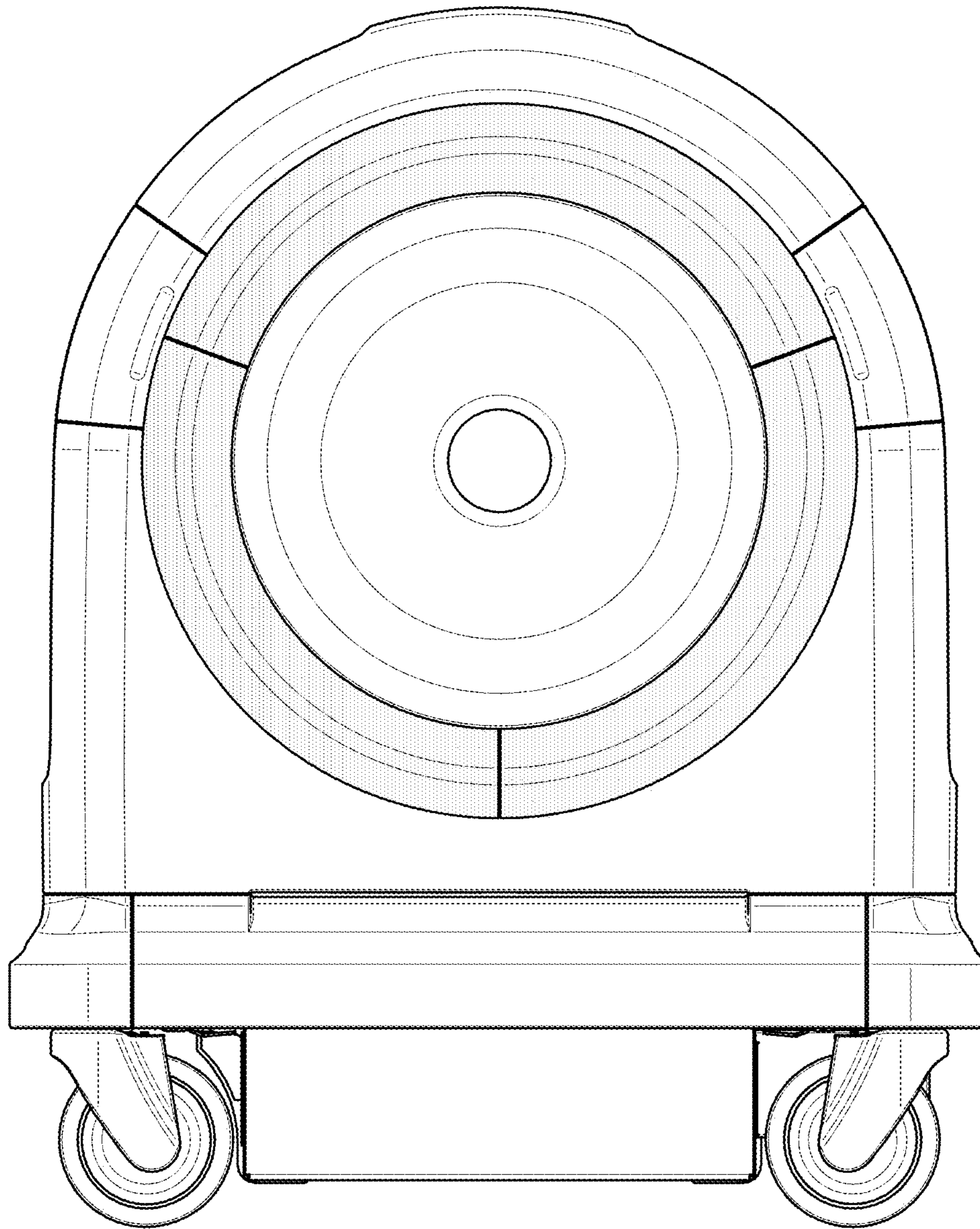


FIG. 2

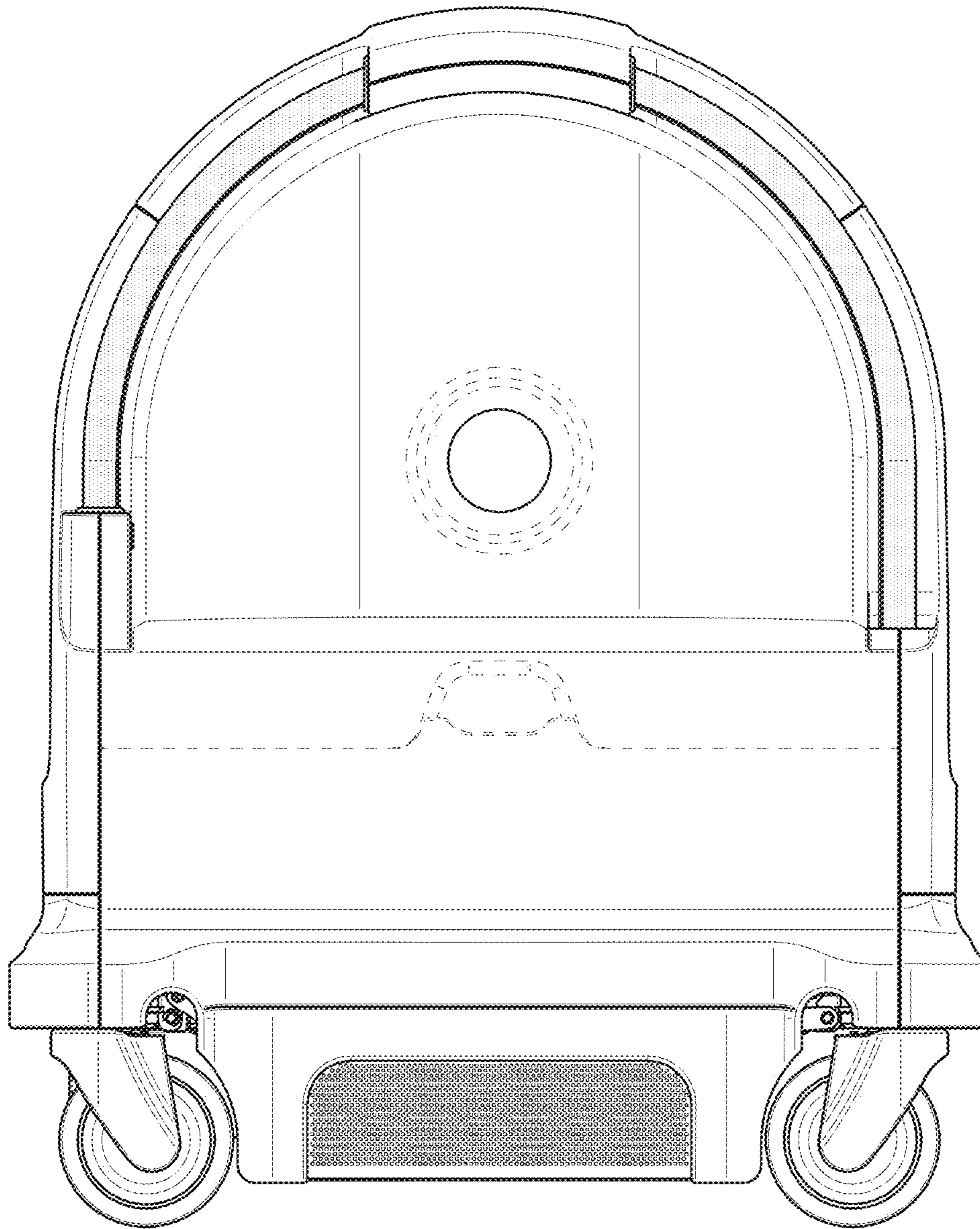


FIG. 3

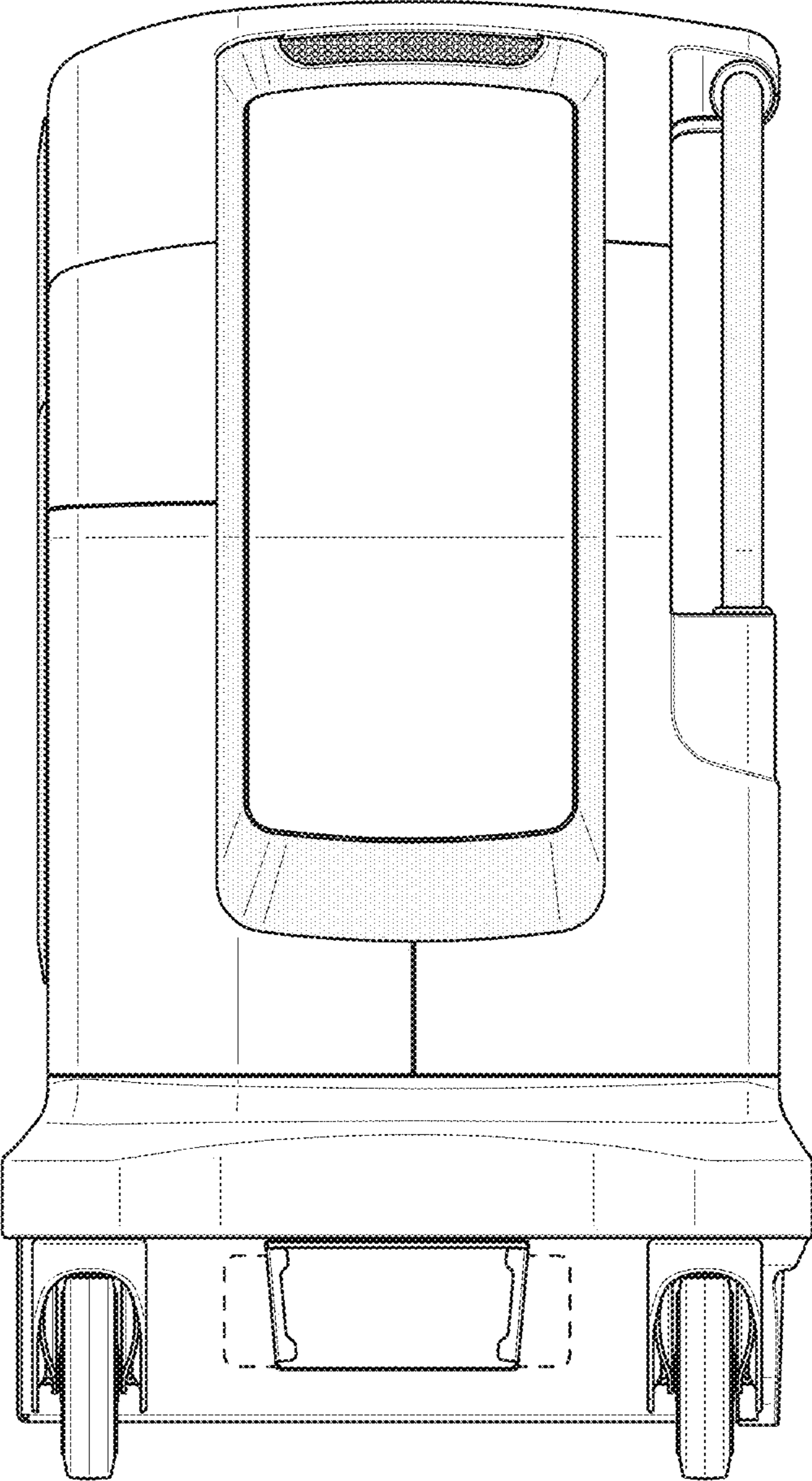


FIG. 4

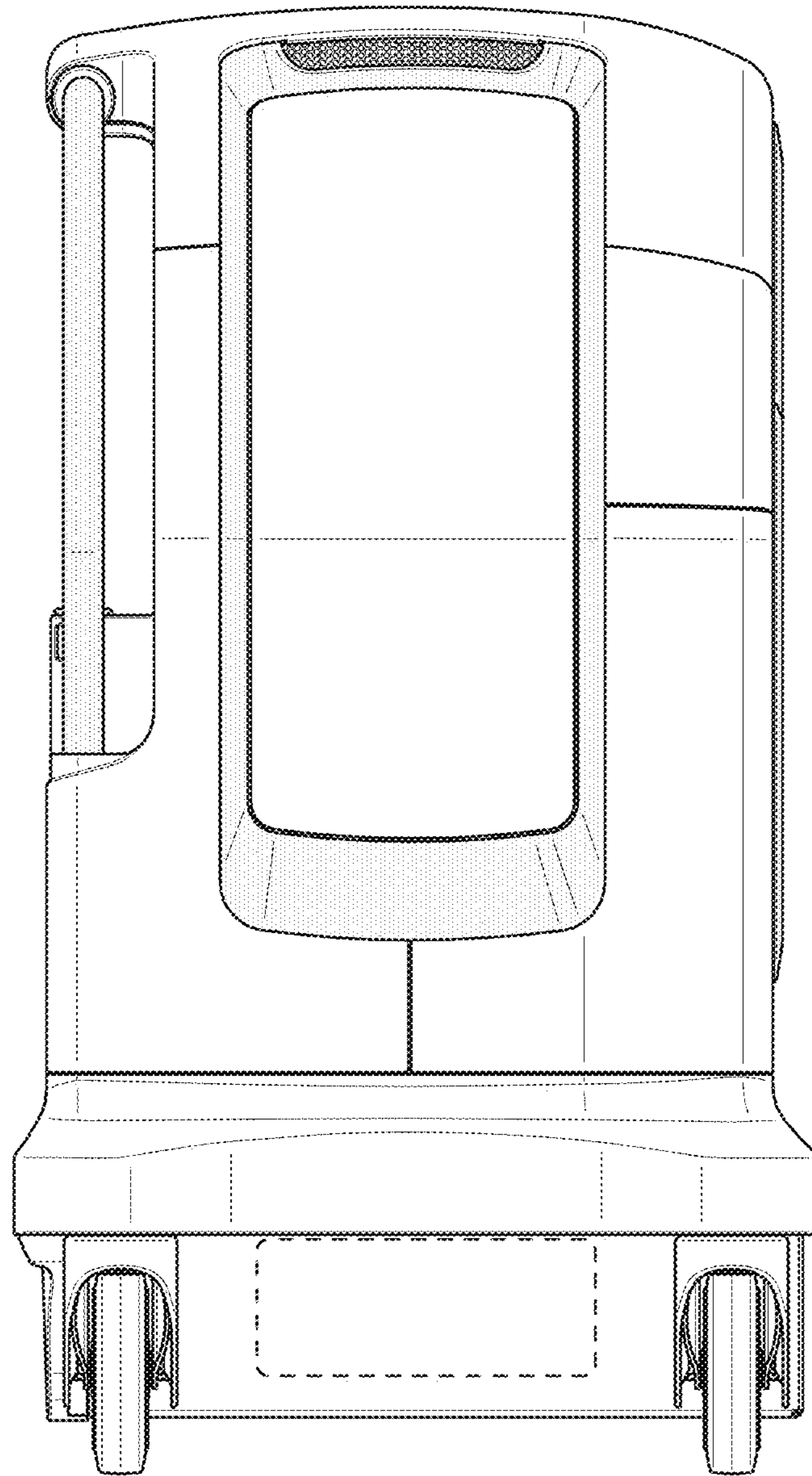


FIG. 5

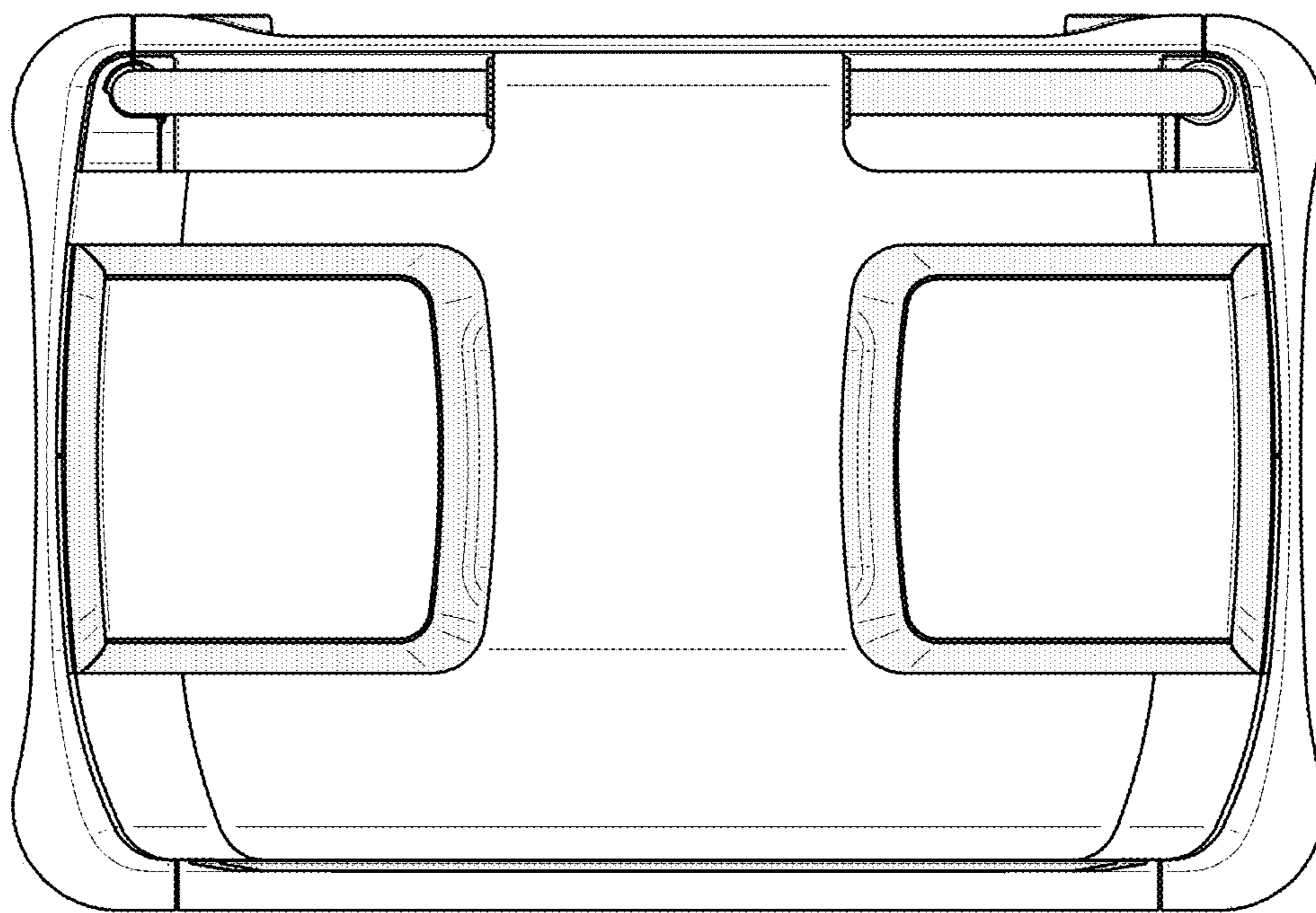


FIG. 6

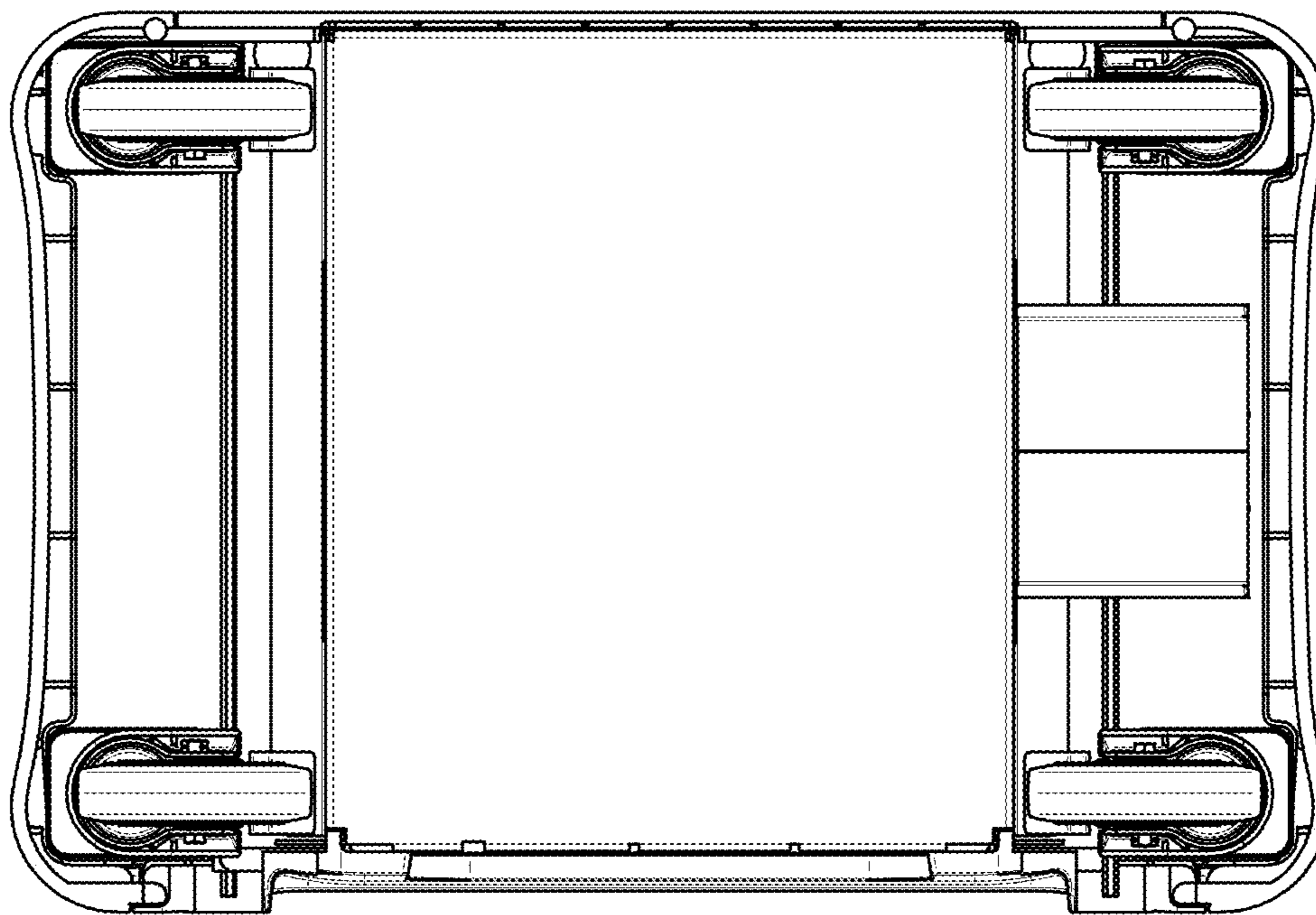


FIG. 7