



US00D942010S

(12) **United States Design Patent** (10) **Patent No.:** **US D942,010 S**
Zatta (45) **Date of Patent:** **** *Jan. 25, 2022**

(54) **CURVED ANGLED BUSHING**
(71) Applicant: **Next Orthosurgical, Inc., Vista, CA**
(US)
(72) Inventor: **Daniel Zatta, Vista, CA (US)**
(73) Assignee: **Next Orthosurgical, Inc., Vista, CA**
(US)
(*) Notice: This patent is subject to a terminal disclaimer.
(**) Term: **15 Years**

D241,491 S * 9/1976 O'Halloran D8/382
D269,590 S * 7/1983 Jansson D8/349
D271,376 S * 11/1983 Baroody D8/382
D289,374 S * 4/1987 Ziaylek, Jr. D8/382
4,807,847 A * 2/1989 Martz F16K 1/38
137/327
D403,949 S * 1/1999 Nakamura D8/356
D430,293 S * 8/2000 Jansen D24/129
D517,900 S * 3/2006 Goldenberg D8/354
D564,097 S * 3/2008 Olerud D24/171
D601,930 S * 10/2009 Chen D12/114
D657,232 S * 4/2012 Stahl, Sr. D8/354
D659,517 S * 5/2012 McGrath D8/355
D746,461 S * 12/2015 Butler D24/155

(Continued)

(21) Appl. No.: **29/686,543**
(22) Filed: **Apr. 4, 2019**
(51) **LOC (13) Cl.** **24-03**
(52) **U.S. Cl.**
USPC **D24/155; D15/143**
(58) **Field of Classification Search**
USPC D9/434, 435; D23/206, 213, 248, 249;
D24/121, 129, 155, 156, 231; D12/197,
D12/317; D8/349, 354, 363, 382, 385,
D8/399, 499; D13/133
CPC F01M 11/00; F01M 11/0408; F01M
11/0458; F01M 2011/0416; F01M
2011/0425; F01M 2011/0433; F01M
2011/0441; E03C 1/22; E03C 1/23; E03C
1/2302-2308; A61B 2017/565; A61B
2017/567; A61B 17/686; A61B 17/844;
A61B 17/7064; E21B 19/10
See application file for complete search history.

OTHER PUBLICATIONS

LDR, Spine Tune TL, (published Oct. 2016), LDR website, Product Brochure ST B 1 EN, p. 2, URL:<https://fr.ldr.com/Portals/11/PDF_FR/Products/SpineTune/STB1EN102016C.pdf> (Year: 2016).*

Primary Examiner — Calvin E Vansant
Assistant Examiner — Mark T. Philipps
(74) *Attorney, Agent, or Firm* — Sheppard Mullin Richter & Hamptons LLP

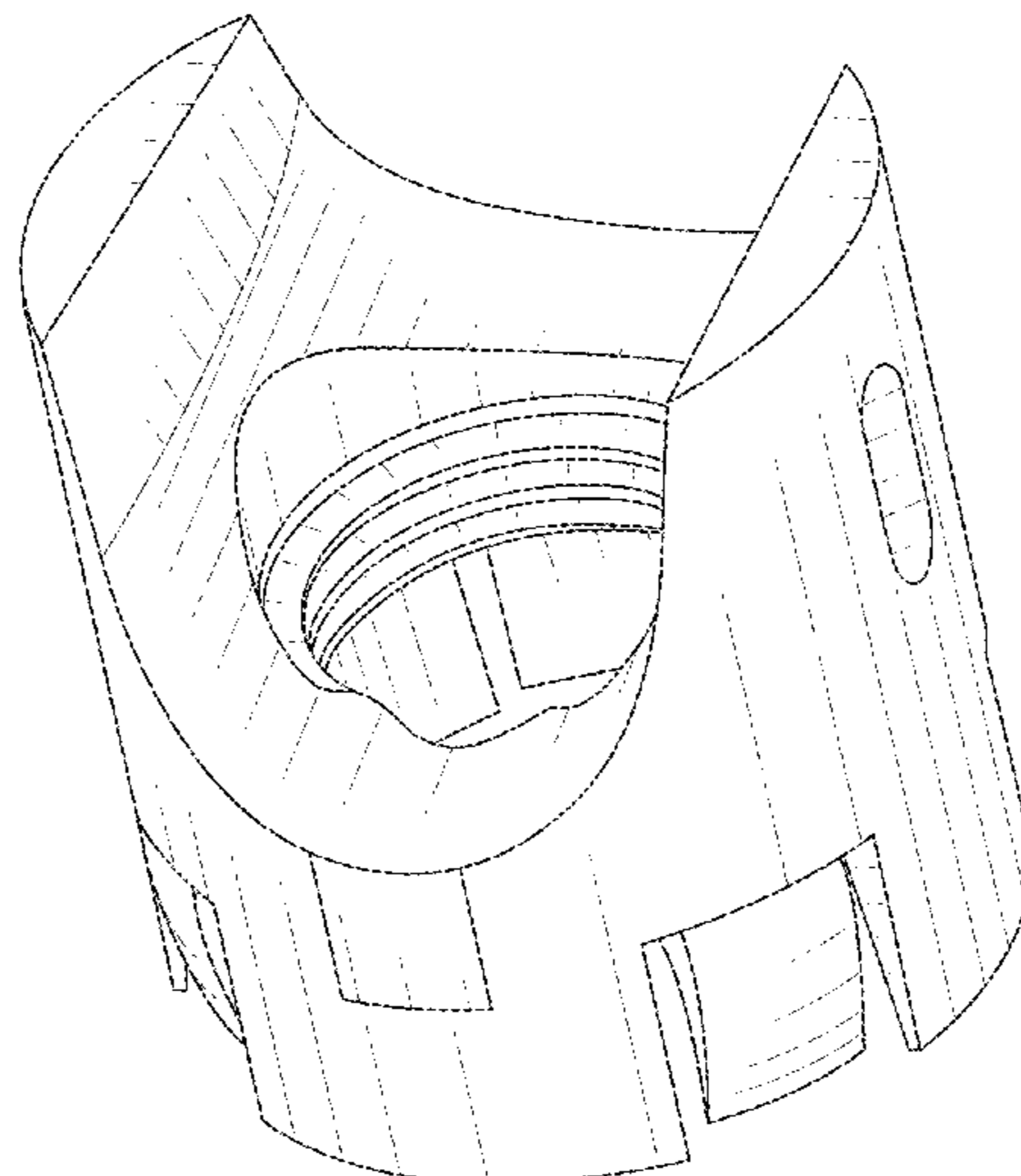
(56) **References Cited**
U.S. PATENT DOCUMENTS
2,834,621 A * 5/1958 Schroer F16B 7/0486
403/188
D206,402 S * 12/1966 Wing D8/397
3,787,131 A * 1/1974 Reachek E04G 7/22
403/234
D239,889 S * 5/1976 O'Halloran D8/382

(57) **CLAIM**
I claim the ornamental design for a curved angled bushing, as shown and described.

DESCRIPTION

FIG. 1 is a right side perspective view of an ornamental design for a curved angled brushing;
FIG. 2 is a left side perspective view thereof;
FIG. 3 is a side view thereof;
FIG. 4 is a front view thereof;
FIG. 5 is a cross-sectional view of FIG. 4 taken along line 5-5; and,
FIG. 6 is a top view thereof.

1 Claim, 6 Drawing Sheets



(56)

References Cited

U.S. PATENT DOCUMENTS

D802,407 S * 11/2017 Foerster, Jr. D8/387
D808,526 S * 1/2018 Kim D24/156
D828,147 S * 9/2018 Kaupp D8/385
D905,546 S * 12/2020 Liebelt D8/382
2008/0051794 A1 * 2/2008 Dec A61B 17/7085
606/250
2011/0152947 A1 * 6/2011 Kirschman A61B 17/8665
606/302
2012/0209336 A1 * 8/2012 Jackson A61B 17/7032
606/305
2016/0302831 A1 * 10/2016 Nichols A61B 17/8695
2017/0020576 A1 * 1/2017 Siccardi A61B 17/7037
2017/0128104 A1 * 5/2017 Nichols A61B 17/8605
2019/0274745 A1 * 9/2019 Smith A61B 17/1775
2020/0121365 A1 * 4/2020 Biester A61B 17/1637
2020/0138483 A1 * 5/2020 Zatta A61B 17/8685
2020/0253642 A1 * 8/2020 Zatta A61B 17/7032

* cited by examiner

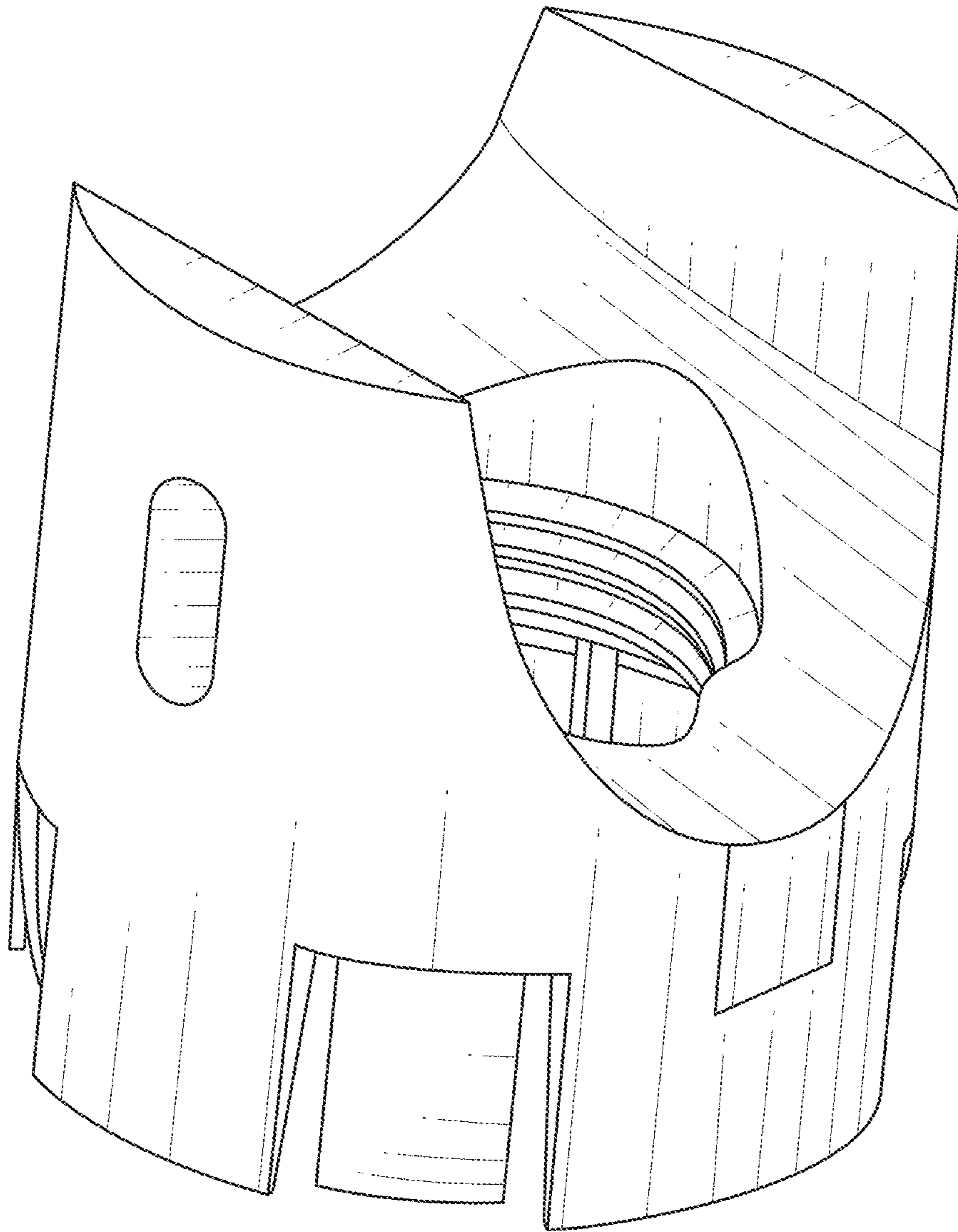


FIG. 1

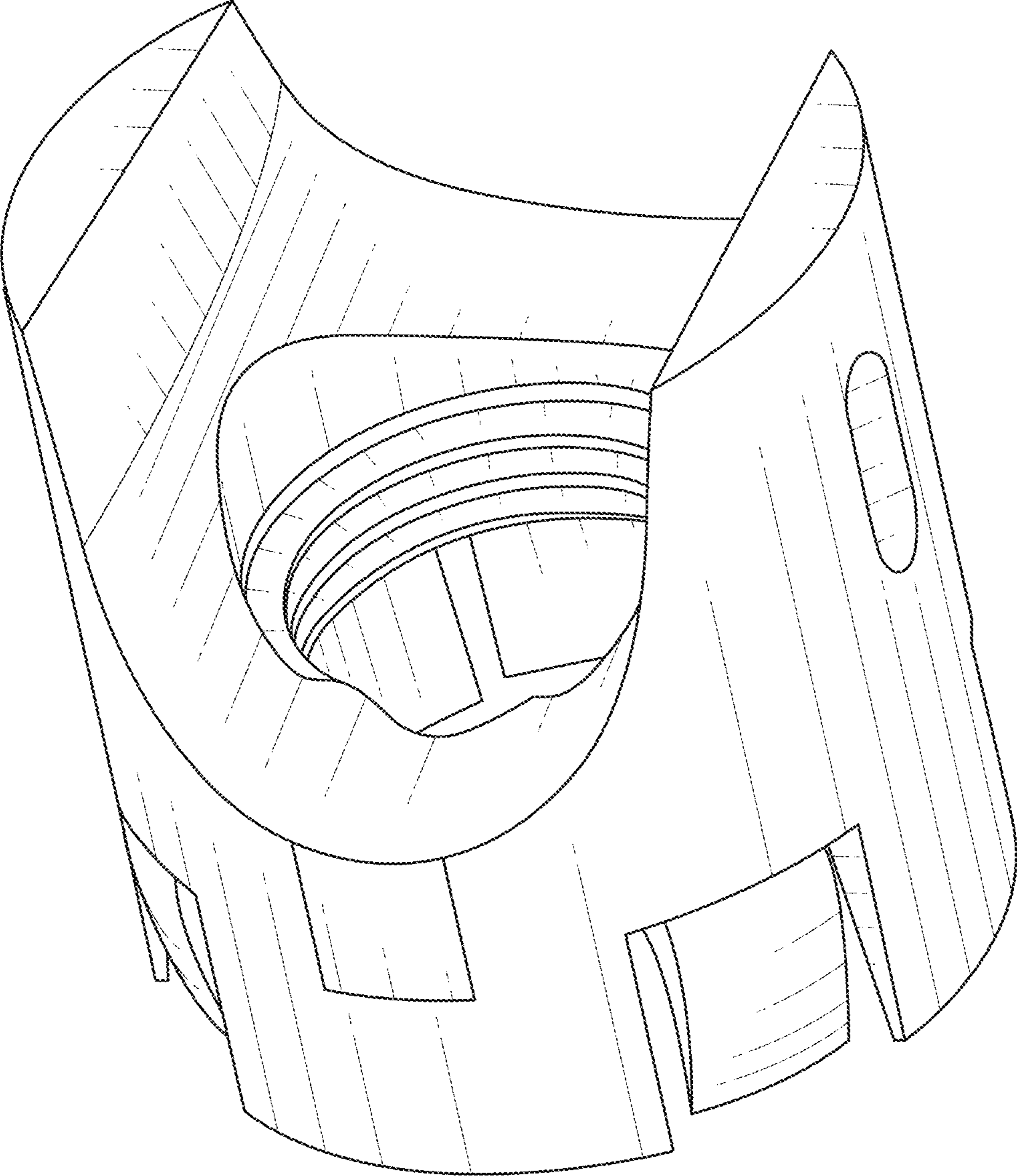


FIG. 2

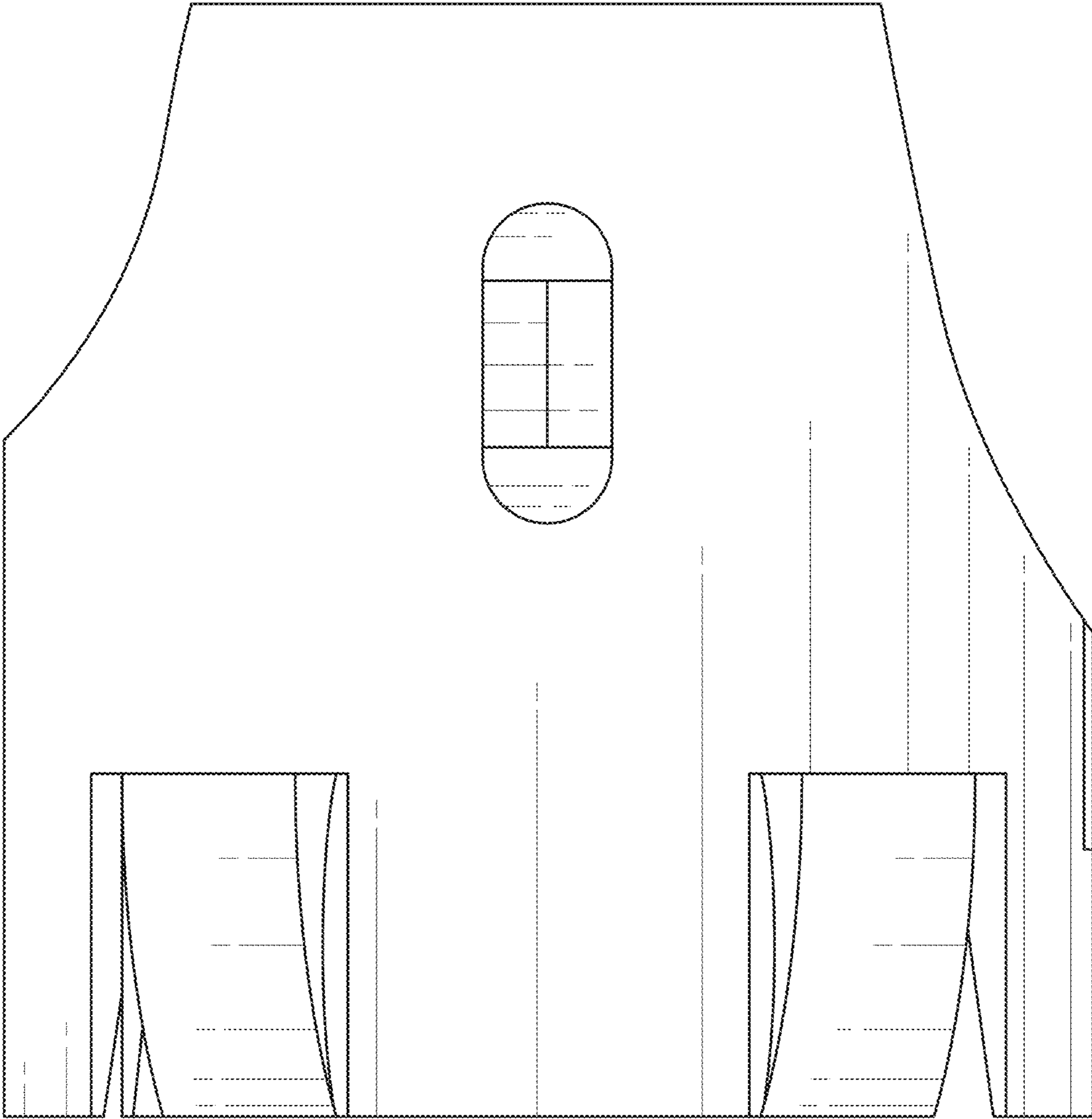


FIG. 3

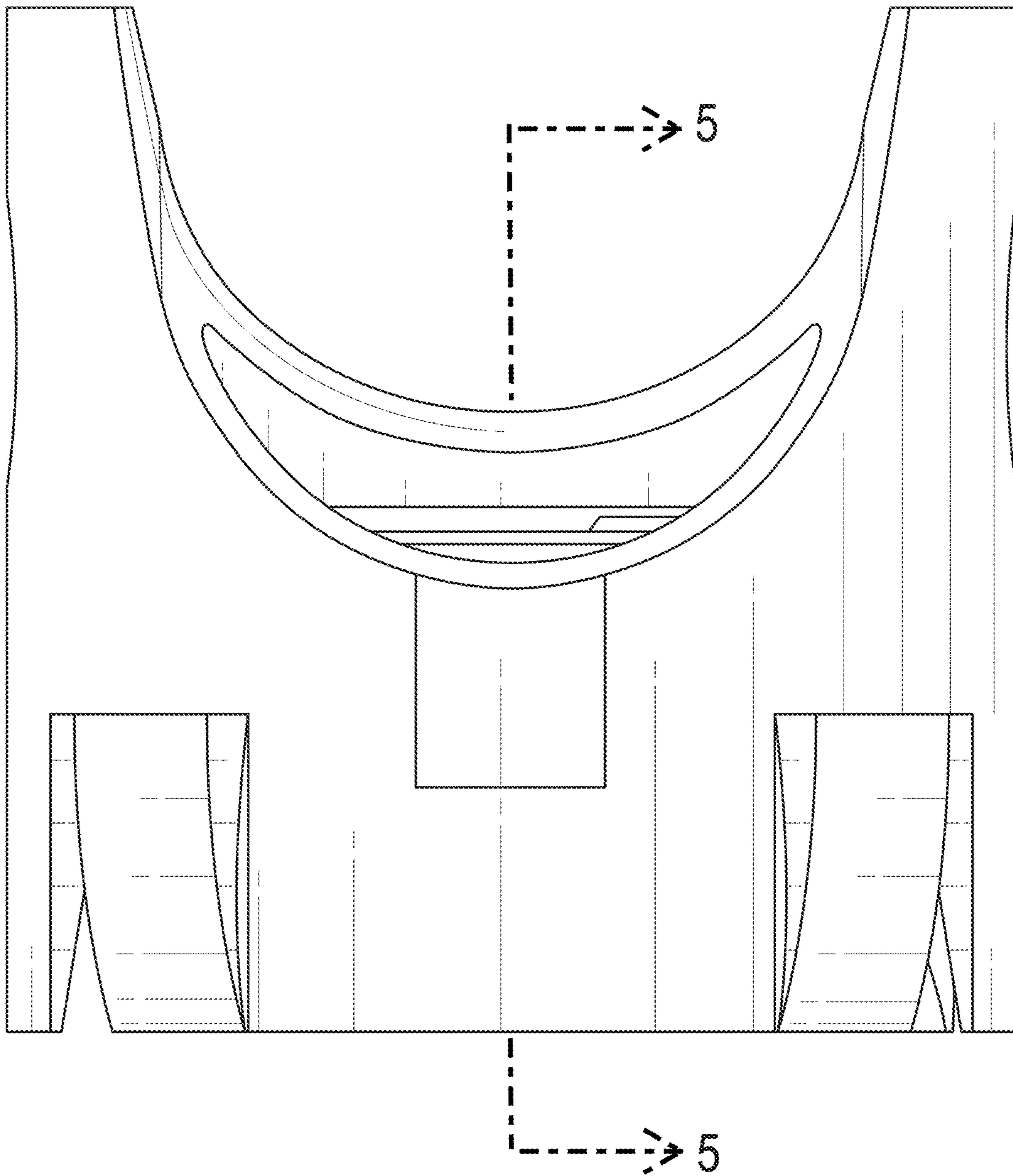


FIG. 4

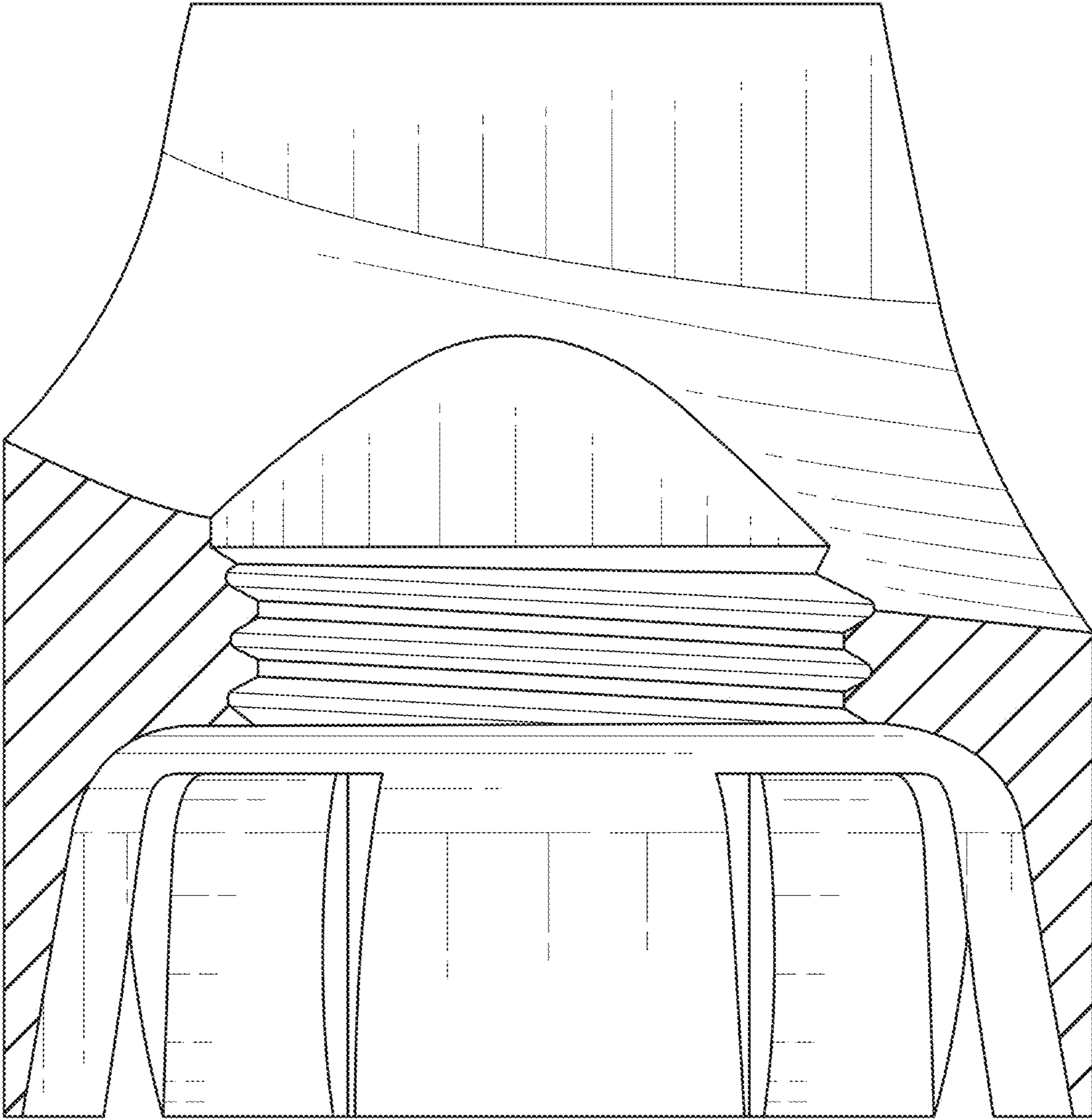


FIG. 5

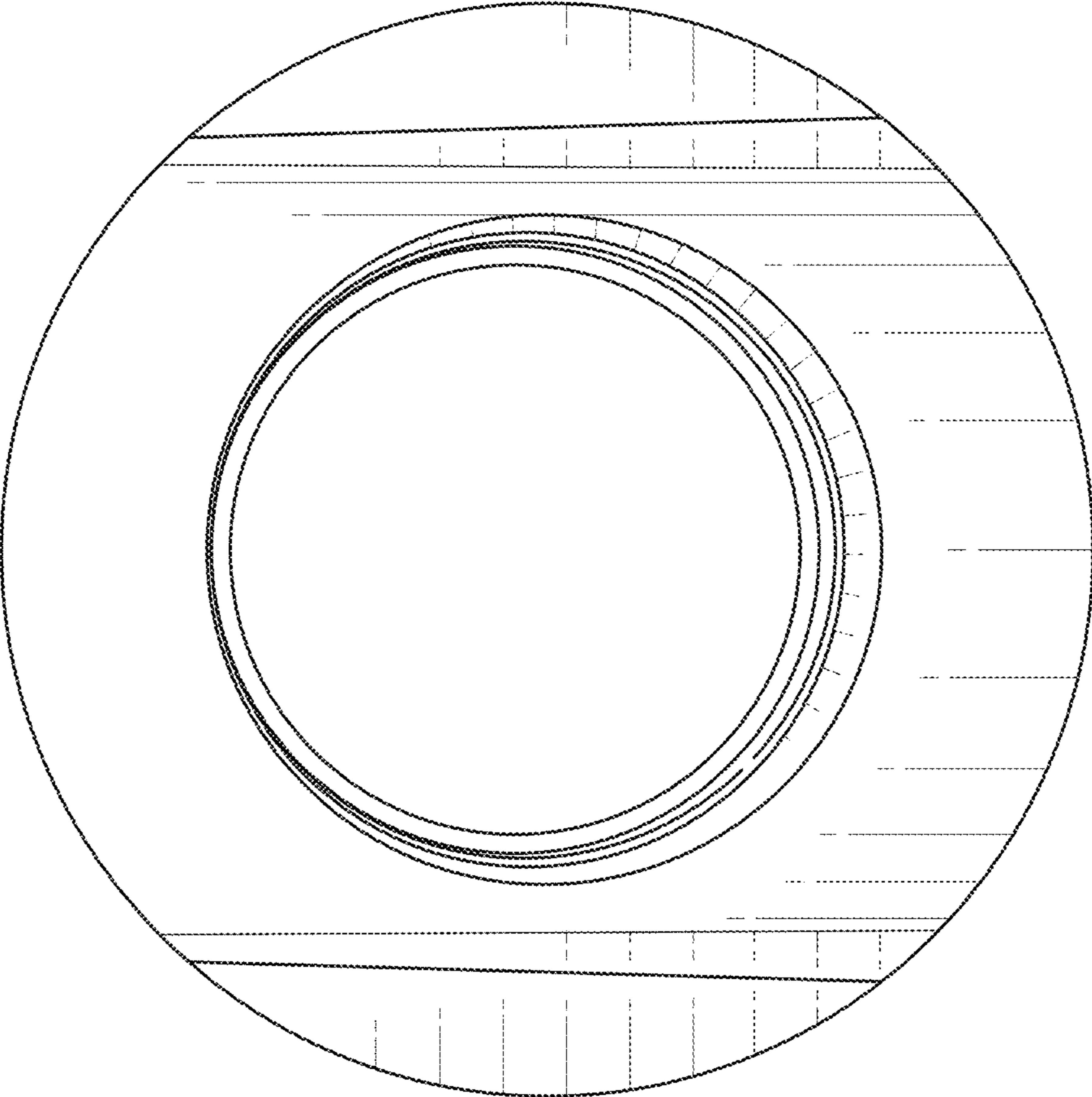


FIG. 6