



US00D942008S

(12) **United States Design Patent**
Castillo-Garcia

(10) **Patent No.:** **US D942,008 S**
(45) **Date of Patent:** **** Jan. 25, 2022**

(54) **MEDICAL DEVICE FOR DEBRIDEMENT OF TISSUE**

(71) Applicant: **Elvis Castillo-Garcia**, Wesley Chapel, FL (US)

(72) Inventor: **Elvis Castillo-Garcia**, Wesley Chapel, FL (US)

(**) Term: **15 Years**

(21) Appl. No.: **29/702,836**

(22) Filed: **Aug. 22, 2019**

Related U.S. Application Data

(63) Continuation of application No. 15/653,834, filed on Jul. 19, 2017, now abandoned, and a continuation of (Continued)

(51) **LOC (13) Cl.** **24-02**

(52) **U.S. Cl.**
USPC **D24/146**

(58) **Field of Classification Search**
USPC D28/56, 57, 59, 62, 44, 7, 9; D8/107, D8/14, 98-100, 300, 17, 20, 47, 98-99; D10/126; D23/223; D24/108, 112-115, D24/117-122, 127, 133, 146-149, 151, D24/172-176, 214, 231; D7/649, 669
CPC A61B 10/0266; A61B 17/3205; A61B 17/32053; A61B 2010/0208; A61B 2017/0076; A61B 2090/034; A61B 2090/0811; A61B 2017/00367; A61B 17/06; A61B 17/20; A61B 17/062; A61B 17/00; A61B 17/3211; A61B 2017/00761; A61B 2017/32113; A61B 2018/1422; A61B 5/6833; A61B 17/34; A61B 17/32; A61B 17/16; A61B 2018/00607; A61B 2018/00601; A61B 17/14; A61B 10/0275; A61B 2217/005; A61B 5/150213; A61B 5/150351; A61B 5/150352; A61B 90/11;
(Continued)

(56) **References Cited**

U.S. PATENT DOCUMENTS

2,103,083 A * 12/1937 Lynch A46B 5/04
601/139
D193,600 S * 9/1962 Kravitz, et al. D24/147
(Continued)

FOREIGN PATENT DOCUMENTS

CN 202130327448.5 * 5/2021

OTHER PUBLICATIONS

Singer 07330 Comfort Fit Gel Thimble, first available May 15, 2013, amazon.com, [online], [site visited Dec. 1, 2021], Available from internet URL: https://www.amazon.com/SINGER-07330-Comfort-Fit-Thimble/dp/B00CWENMZW/ref=pd_sbs_45/137-2904486-8021366?pd_rd_w=mvDLo&pf_rd_p=%E2%80%A6 (Year: 2013).*

(Continued)

Primary Examiner — Lauren D McVey

Assistant Examiner — Holly M Rodriguez

(74) *Attorney, Agent, or Firm* — Thomas Frost

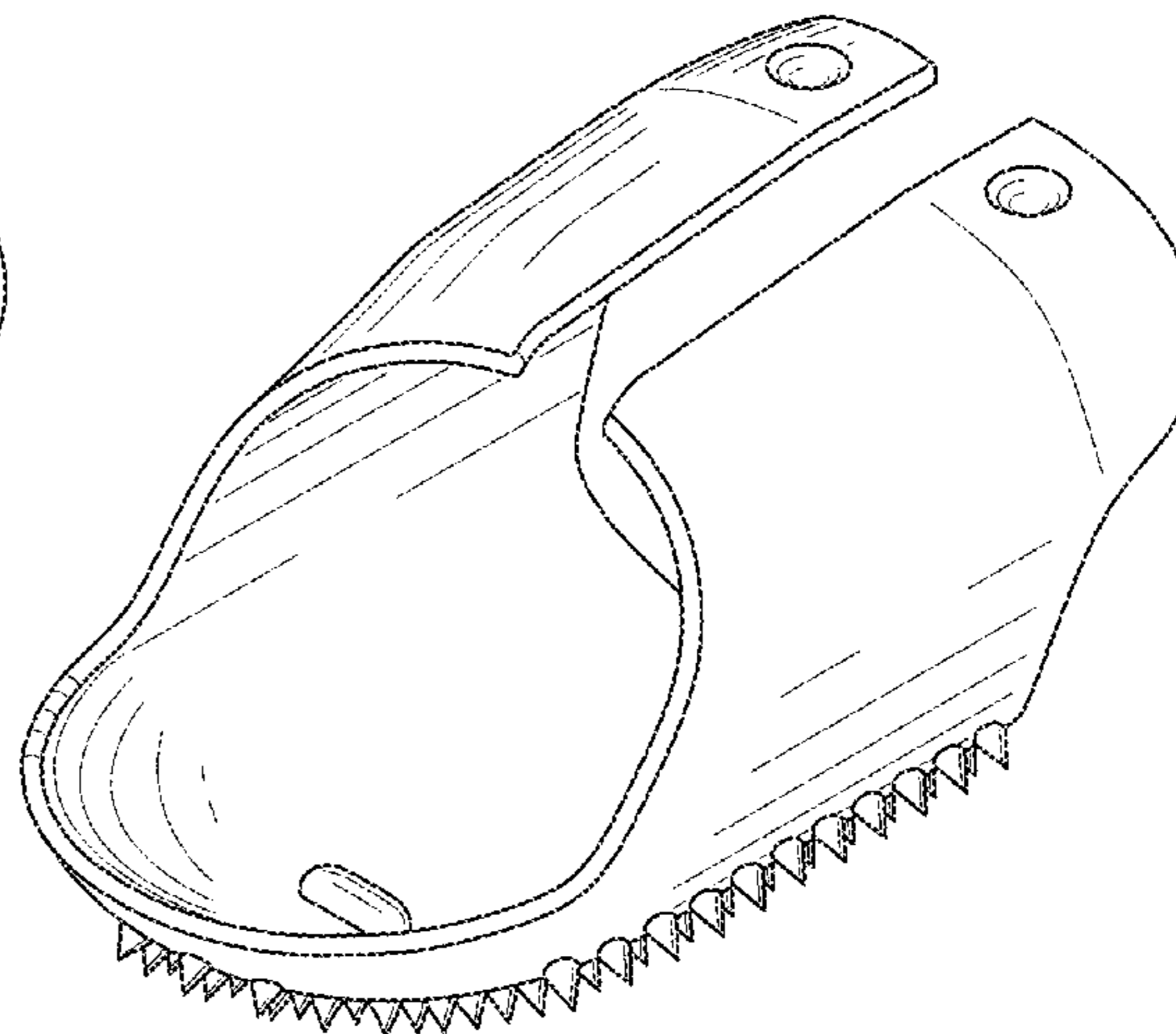
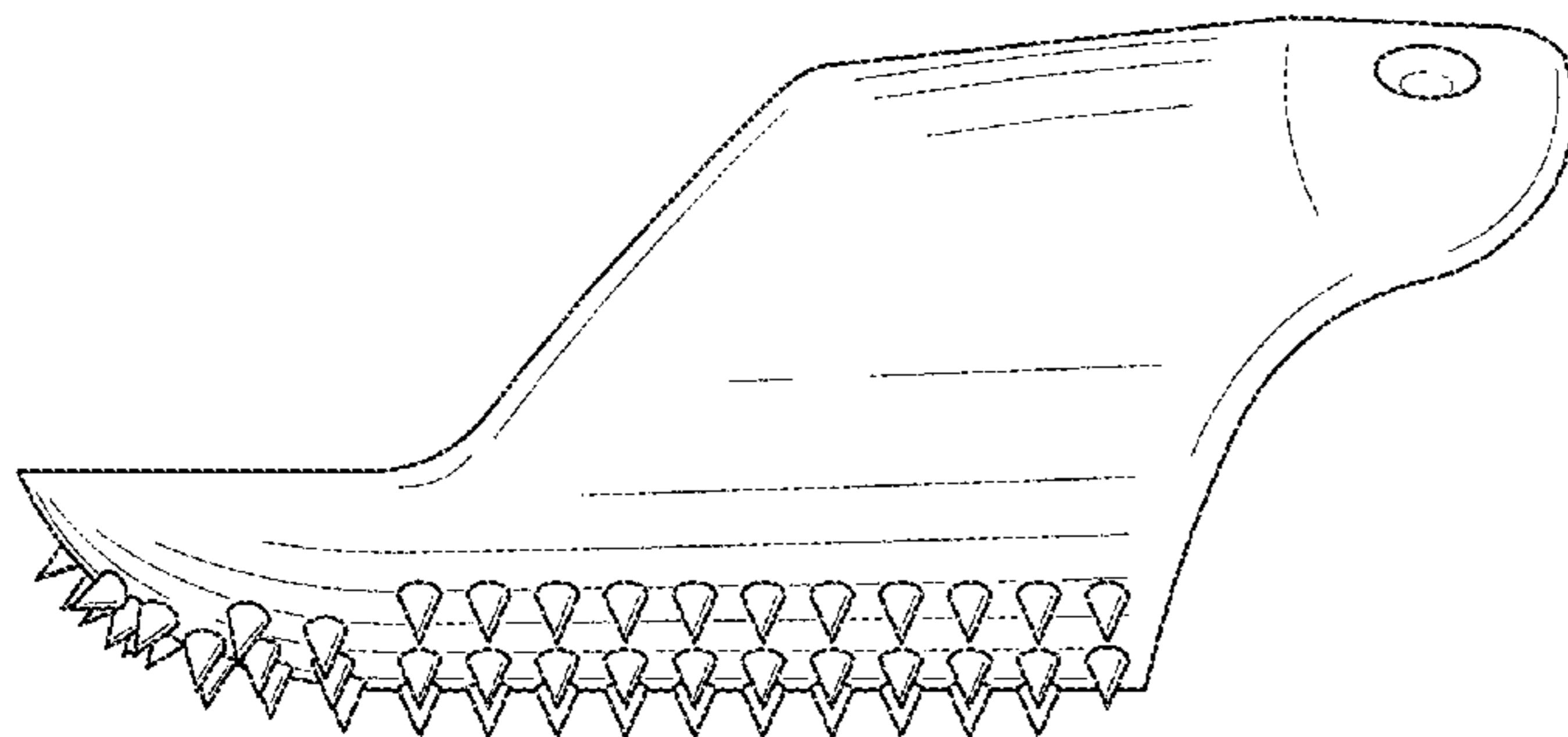
(57) **CLAIM**

The ornamental design for a medical device for debridement of tissue, as shown and described.

DESCRIPTION

FIG. 1 is a right side elevational view of the medical device for debridement of tissue showing my new design; FIG. 2 is a left side elevational view thereof; FIG. 3 is a rear elevational view thereof; FIG. 4 is a front elevational view thereof; FIG. 5 is a top view thereof; FIG. 6 is a bottom view thereof; and, FIG. 7 is a perspective illustration showing a front view and a right side view thereof.

1 Claim, 4 Drawing Sheets



Related U.S. Application Data

application No. 15/142,139, filed on Apr. 29, 2016, now Pat. No. 9,913,658.

(58) **Field of Classification Search**

CPC A61M 37/00; A61M 16/0472; A61M 3/00; A61M 1/0039; A61M 1/0064; A61M 5/20; A61M 5/31; A61M 5/178; A61M 5/3129; A61M 5/3146; A61M 5/3148; A61M 5/3287; A61H 15/00; B26B 5/00; A61F 5/0106; A61F 5/0123

See application file for complete search history.

(56) **References Cited**

U.S. PATENT DOCUMENTS

4,703,561	A	11/1987	Parisek	
D314,727	S *	2/1991	Samaras	D11/27
D410,112	S	5/1999	Doyle	
D537,165	S *	2/2007	Leite	D24/147
D572,821	S *	7/2008	Burgard	D24/146
D648,487	S *	11/2011	Demaree	D28/56
D651,347	S *	12/2011	Chang	D28/56
D685,087	S *	6/2013	Voic	D24/133
D702,402	S *	4/2014	Pew	D29/113
8,844,080	B2	9/2014	Stacy	
8,991,060	B2	3/2015	Safar	
D868,371	S *	11/2019	Huchet	D28/7

D933,896	S *	10/2021	Stephenson	D28/59
2004/0231167	A1	11/2004	Miklos	
2013/0096532	A1 *	4/2013	Ozel	A61B 17/205 604/506
2016/0242807	A1 *	8/2016	Castillo-Garcia	A61B 17/320708
2017/0311972	A1 *	11/2017	Castillo-Garcia	A61B 17/3211

OTHER PUBLICATIONS

20 Pieces Rubber Finger Tips Guard, first available Oct. 29, 2020, amazon.com, [online], [site visited Feb. 6, 2021], Available from internet URL: https://www.amazon.com/Non-Slip-Assorted-Protector-Sorting-Paperwork/dp/B08M66L746/ref=pd_sbs_13/137-2904486-8021366?pd_rd_w=lyS0X&pf_rd_w=E2%80%A6 (Year: 2020).*

12PCS Upgrade Adjustable Thimble, first available Mar. 9, 2021, amazon.com, [online], [site visited Dec. 1, 2021], Available from internet URL: https://www.amazon.com/dp/B08YDRYWS2/ref=sspa_dk_detail_1?psc=1&pd_rd_w=QC0OK&pf_rd_p=9fd3ea7c-b77c-42ac-b43b-c872d3f37c38&pd_w=E2%80%A6 (Year: 2021).*

CLAIRLA—Rubber Fingers Tips for Money Counting, first available Jan. 17, 2019, amazon.com, [online], [site visited Dec. 1, 2021], Available from internet URL: https://www.amazon.com/CLAIRLA-Fingers-Paperwork-Supplies-Silicone/dp/B07MWC91R7/ref=pd_sbs_42/137-2904486-8021366?pd_rd_w=lyS0X&pf_rd_w=E2%80%A6 (Year: 2019).*

* cited by examiner

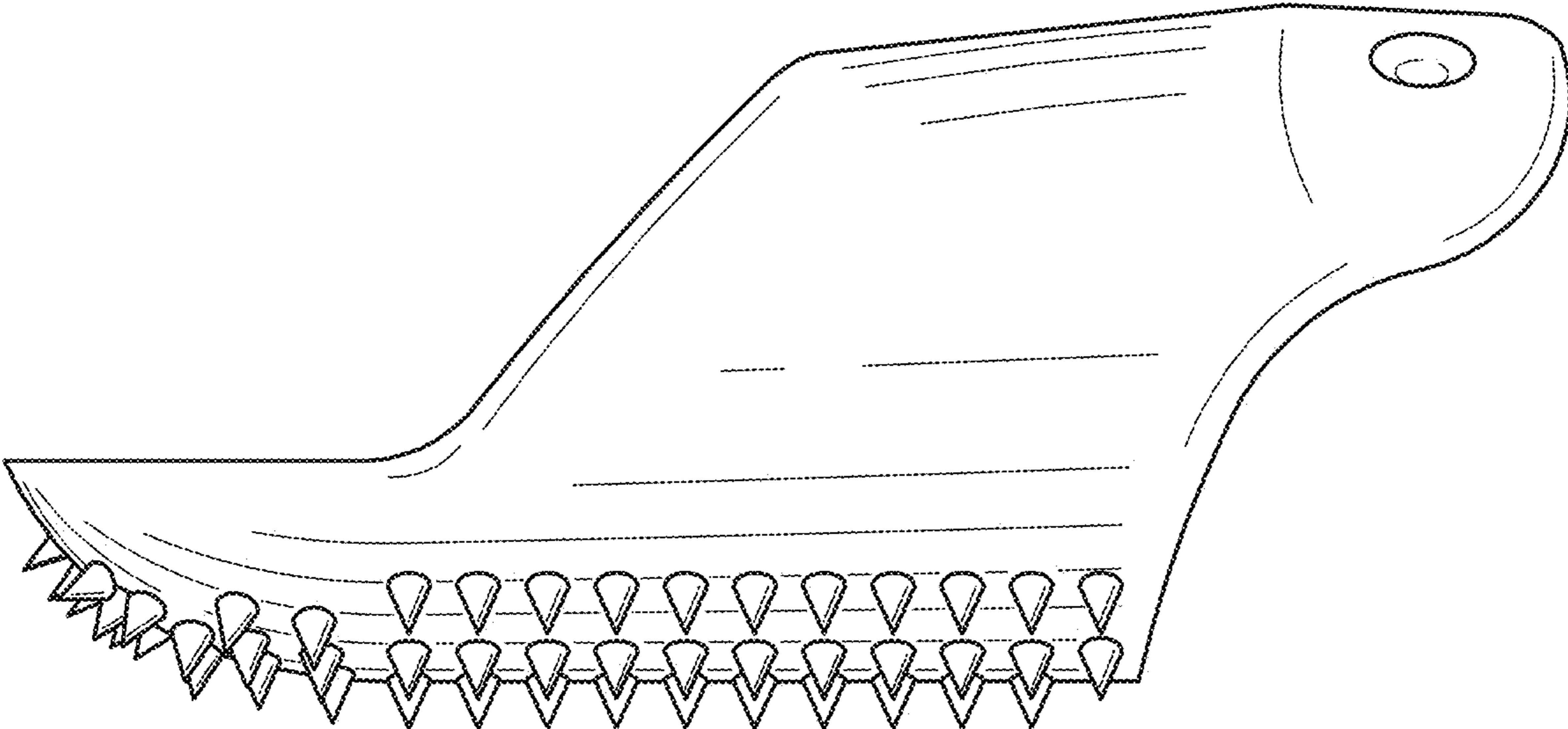


FIG. 1

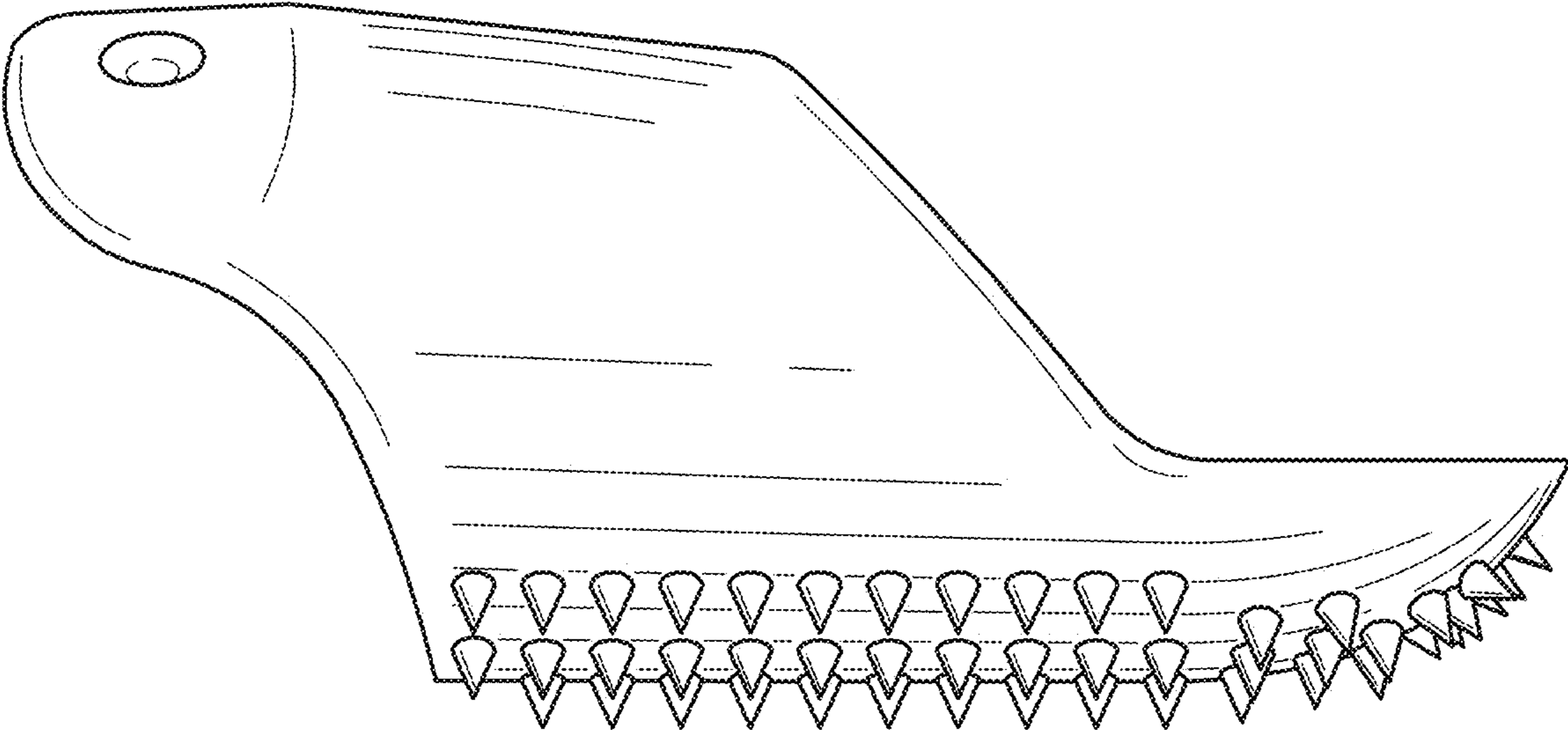


FIG. 2

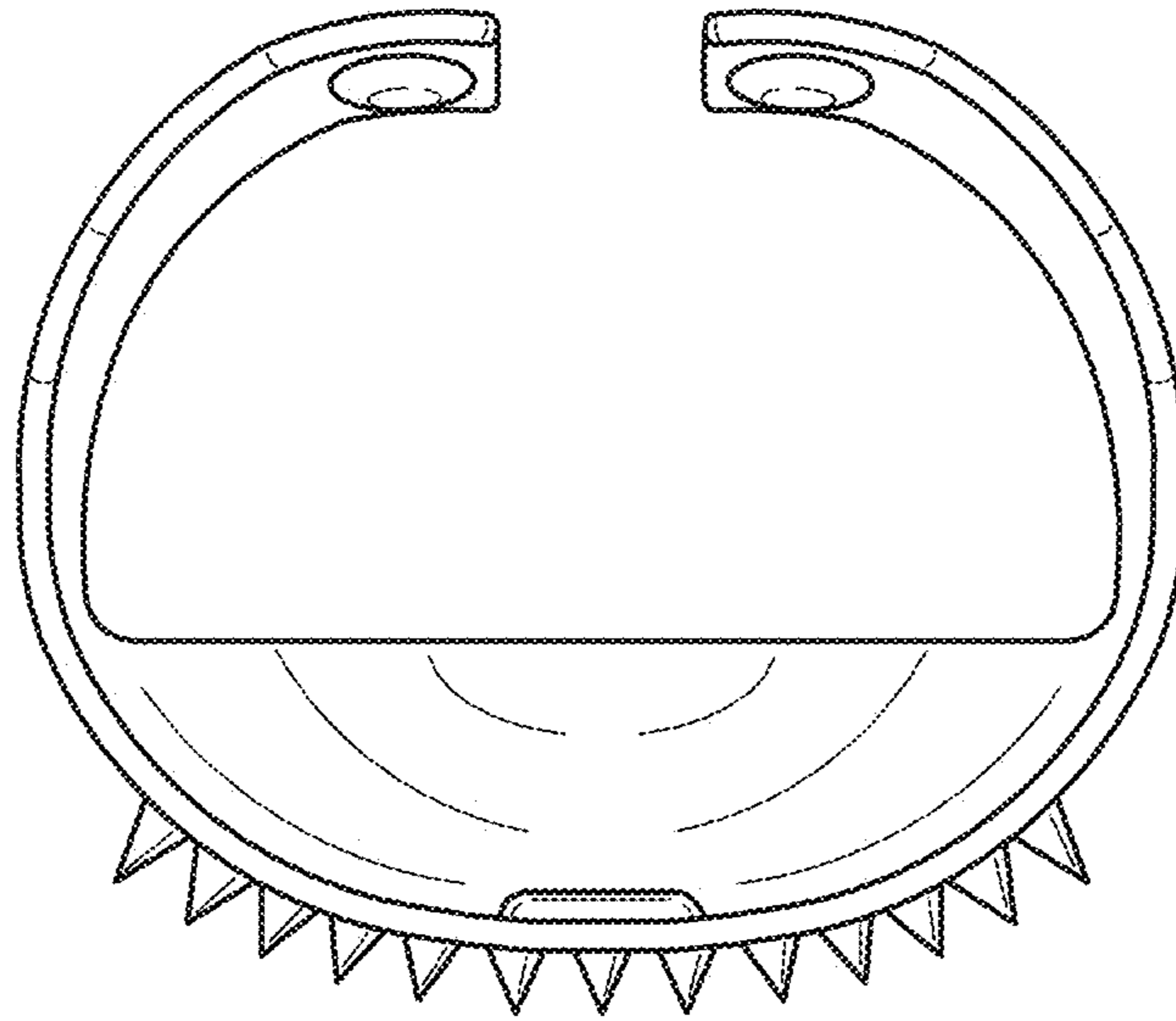


FIG. 3

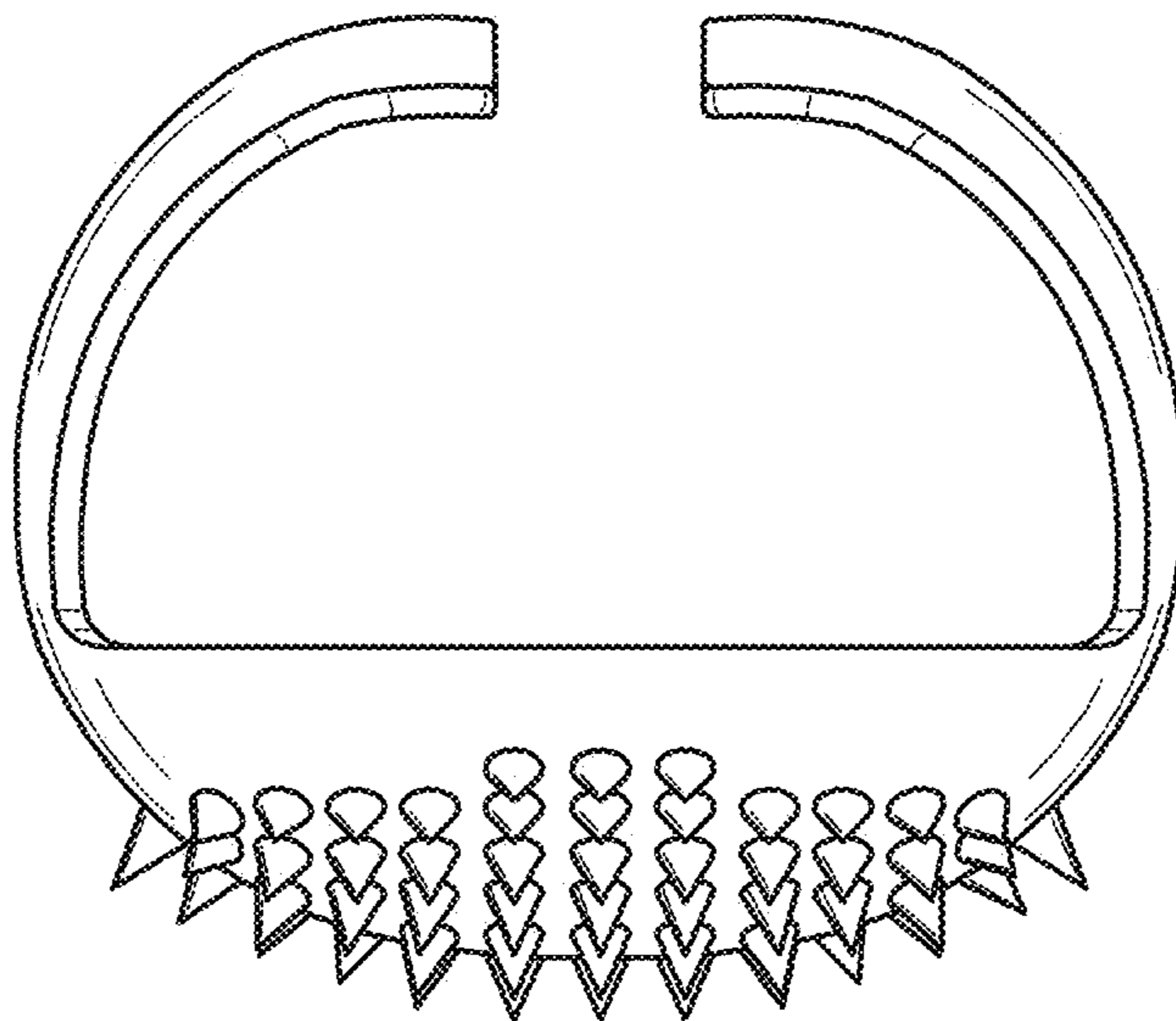


FIG. 4

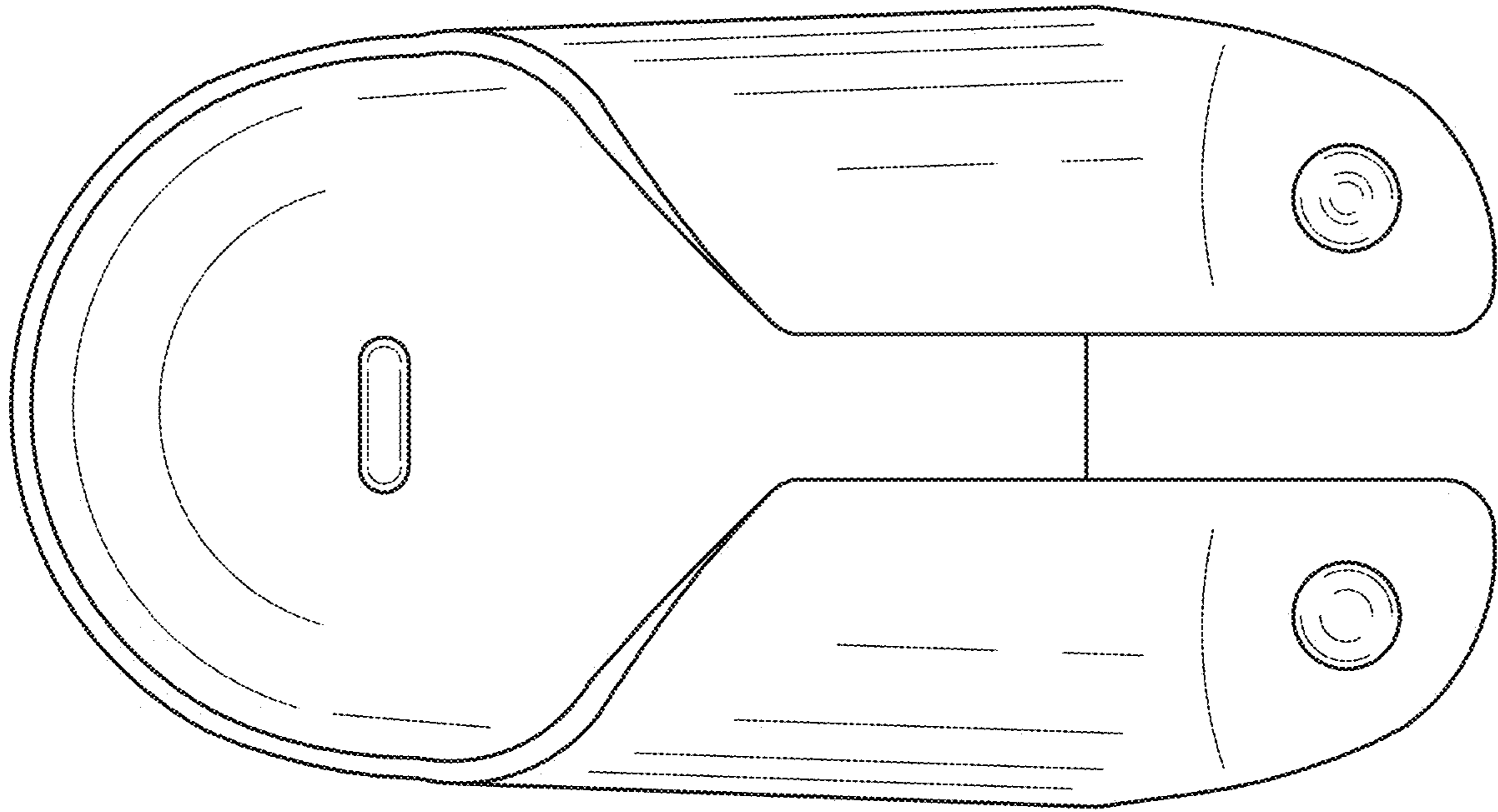


FIG. 5

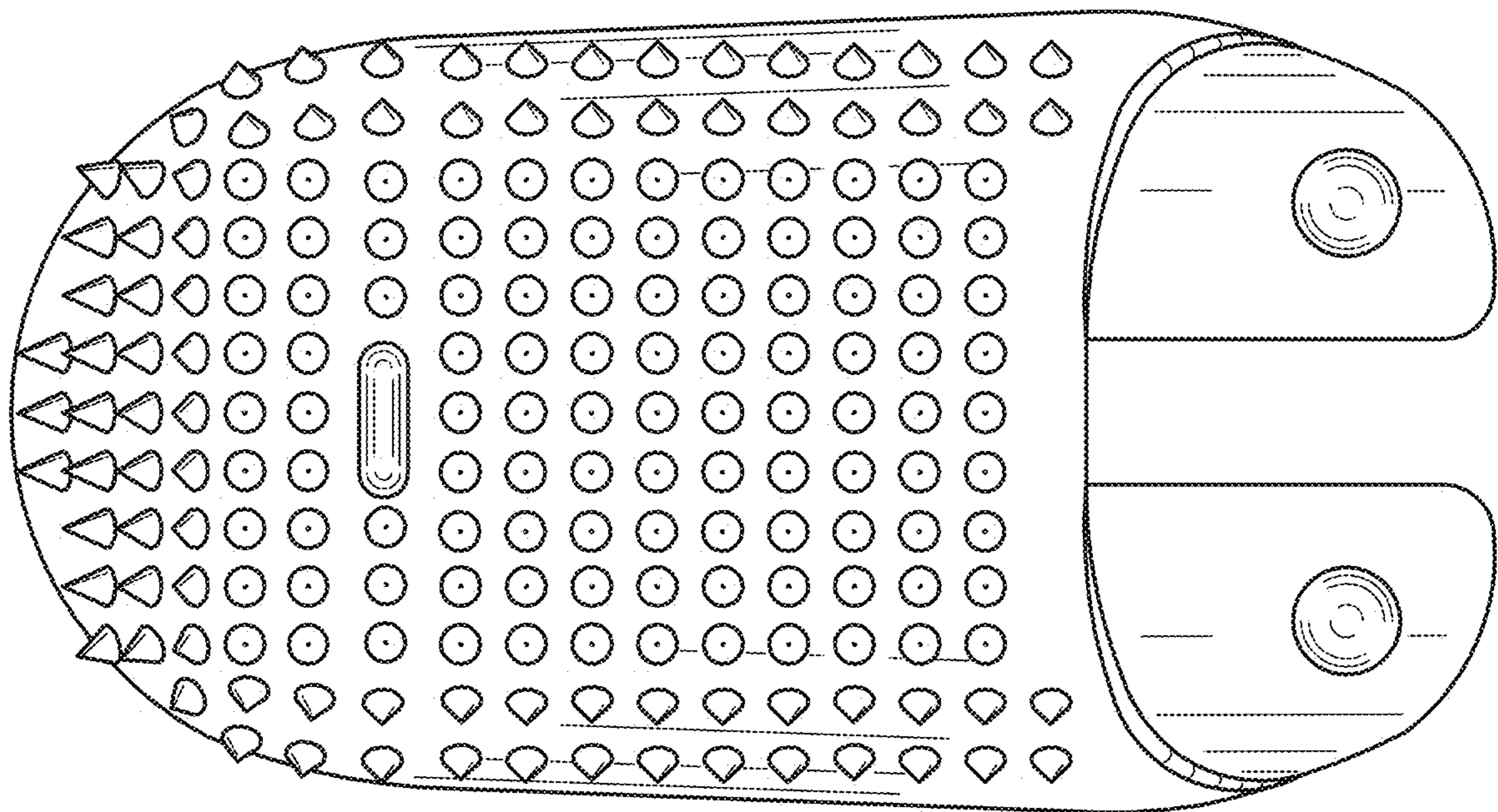


FIG. 6

FIG. 7

