



US00D942007S

(12) **United States Design Patent** (10) **Patent No.:** **US D942,007 S**
Yan et al. (45) **Date of Patent:** **** Jan. 25, 2022**

(54) **UTERUS STENT**

(71) Applicant: **Yipurun (Shanghai) Biotechnology Co., Ltd.**, Shanghai (CN)

(72) Inventors: **Wei Yan**, Shanghai (CN); **Peipei Xia**, Shanghai (CN); **Rui Yang**, Shanghai (CN); **Zheng Wei**, Shanghai (CN)

(73) Assignee: **Yipurun (Shanghai) Biotechnology Co., Ltd.**, Shanghai (CN)

(**) Term: **15 Years**

(21) Appl. No.: **29/699,739**

(22) Filed: **Jul. 29, 2019**

(30) **Foreign Application Priority Data**

Jan. 29, 2019 (CN) 201930052020.7

(51) **LOC (13) Cl.** **24-02**

(52) **U.S. Cl.**
USPC **D24/141**

(58) **Field of Classification Search**
USPC D24/141, 155
CPC A61B 17/4241; A61B 17/12136; A61B 2017/1205; A61F 2/00; A61F 2/0009; A61F 2/0022; A61F 2/0036; A61F 2/005; A61K 9/0039

See application file for complete search history.

(56) **References Cited**

U.S. PATENT DOCUMENTS

6,695,763 B2 * 2/2004 Zunker A61F 2/0022
600/29
9,707,065 B2 * 7/2017 Kunz A61F 2/0009
9,724,128 B2 * 8/2017 Fairney A61B 17/4241
10,064,651 B2 * 9/2018 Norred A61B 17/42

D835,784 S * 12/2018 Orr D24/141
10,441,396 B2 * 10/2019 Kunz A61F 2/0009
10,813,668 B2 * 10/2020 Isch A61B 17/12136
2016/0183977 A1 * 6/2016 Marshburn A61B 17/4241
606/193
2017/0071630 A1 * 3/2017 Weeks A61B 17/4241
2019/0328659 A1 * 10/2019 Xia A61K 9/0039
2020/0405281 A1 * 12/2020 Aksakal A61B 17/4241

OTHER PUBLICATIONS

Balloon Uterine Stent | Hysteroscopy-jesilicone. Retrieved on Apr. 21, 2021. Retrieved from the internet: <https://www.jesilicone.com/product-347.html>.
Intrauterine Adhesions. Hysteronews, Aug. 5, 2019. Retrieved on Apr. 21, 2021. Retrieved from the internet: <https://hysteroscopynewsletter.com/2019/08/05/intrauterine-adhesions-3/>.

* cited by examiner

Primary Examiner — Wan Laymon

(74) *Attorney, Agent, or Firm* — McCarter & English, LLP; Jonathan C. Lovely

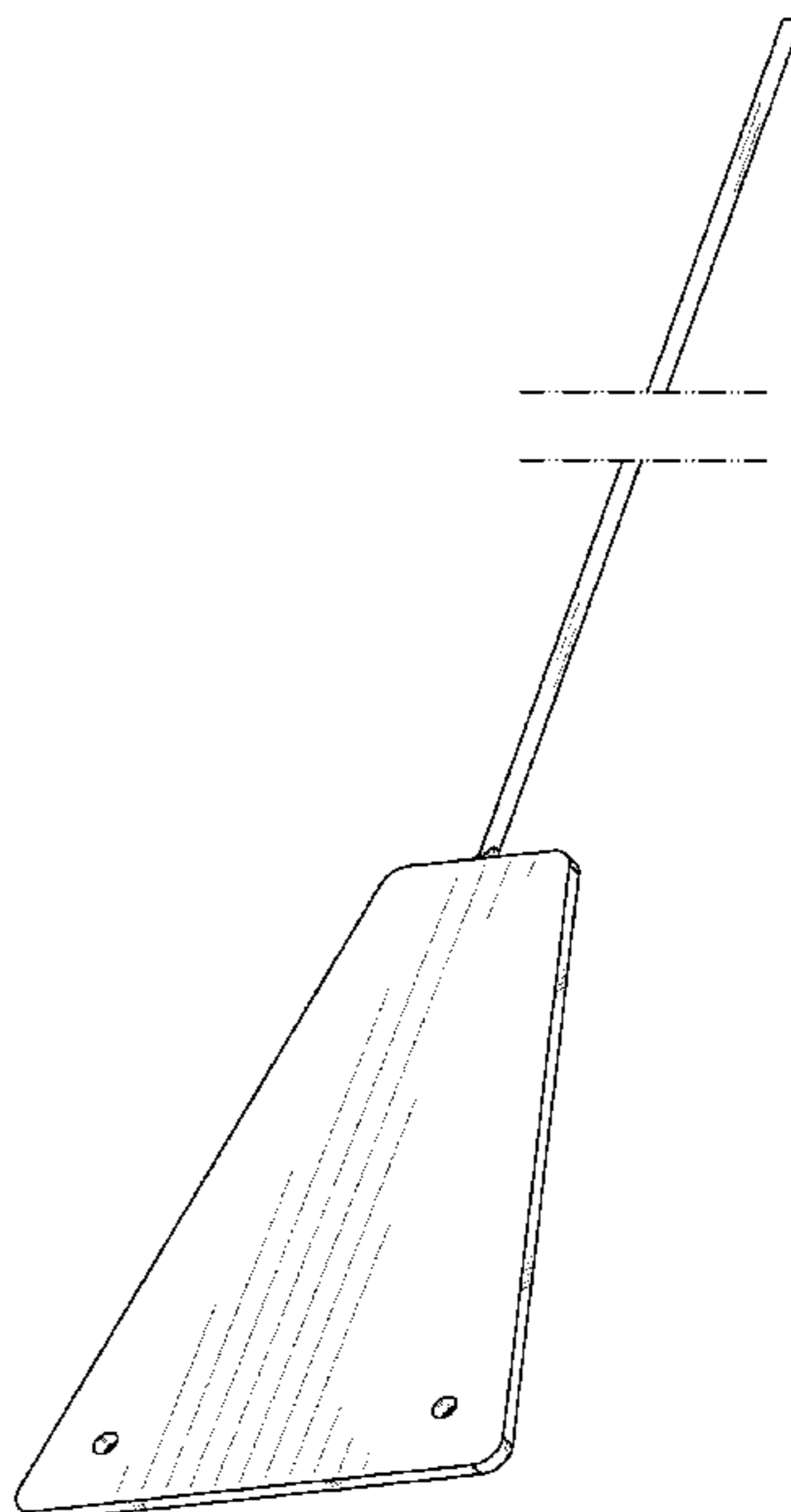
(57) **CLAIM**

The ornamental design for a uterus stent, as shown and described.

DESCRIPTION

FIG. 1 is a front view of the design for a uterus stent; FIG. 2 is a rear view thereof; FIG. 3 is a left view thereof; FIG. 4 is a right view thereof; FIG. 5 is a top view thereof; FIG. 6 is a bottom view thereof; and, FIG. 7 is a perspective view thereof. The broken away symbols in the drawings indicate the appearance of any portion of the article between the break lines forms no part of the claimed design.

1 Claim, 7 Drawing Sheets



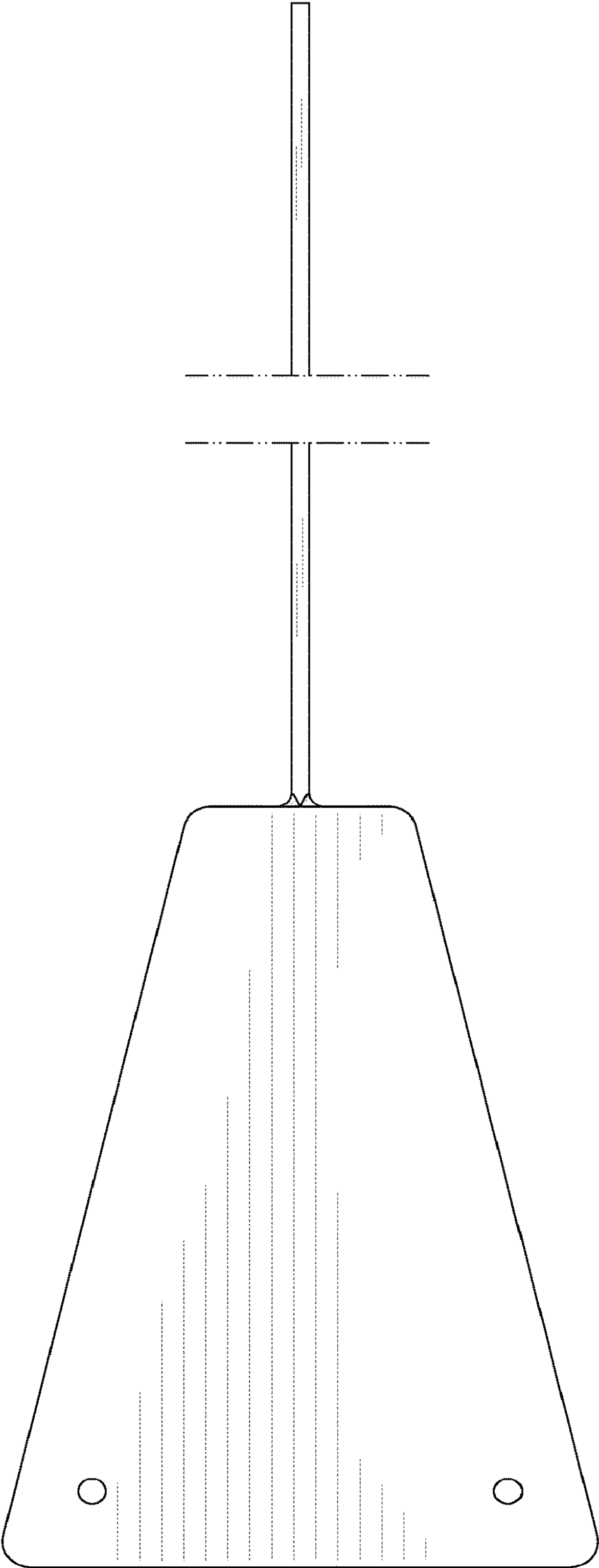


FIG. 1

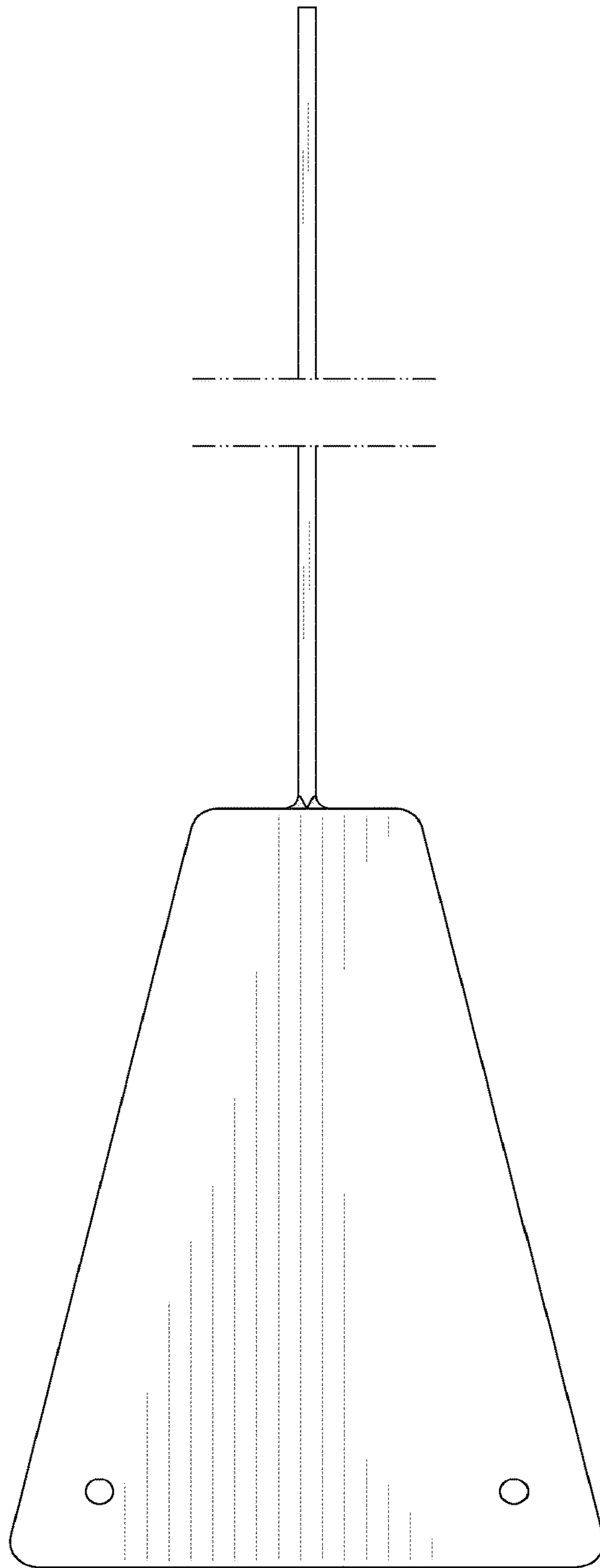


FIG.2

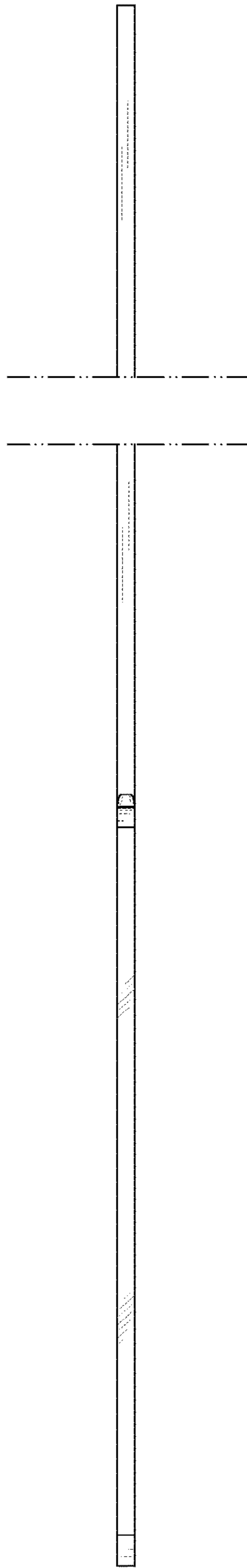


FIG.3

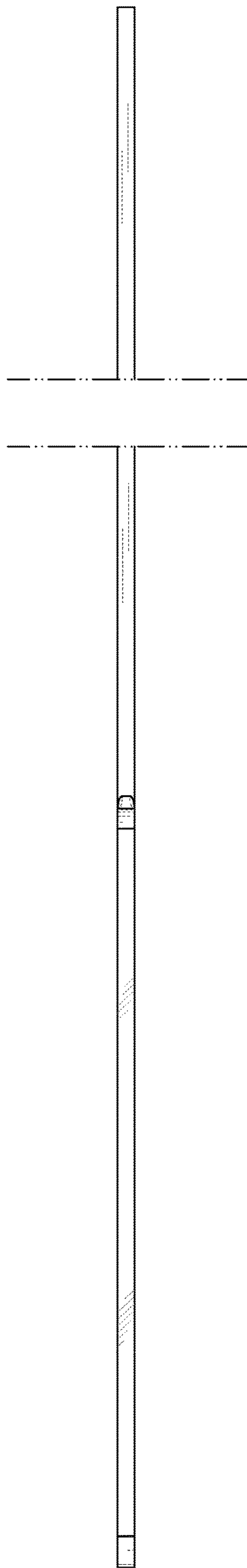


FIG.4



FIG.5



FIG.6

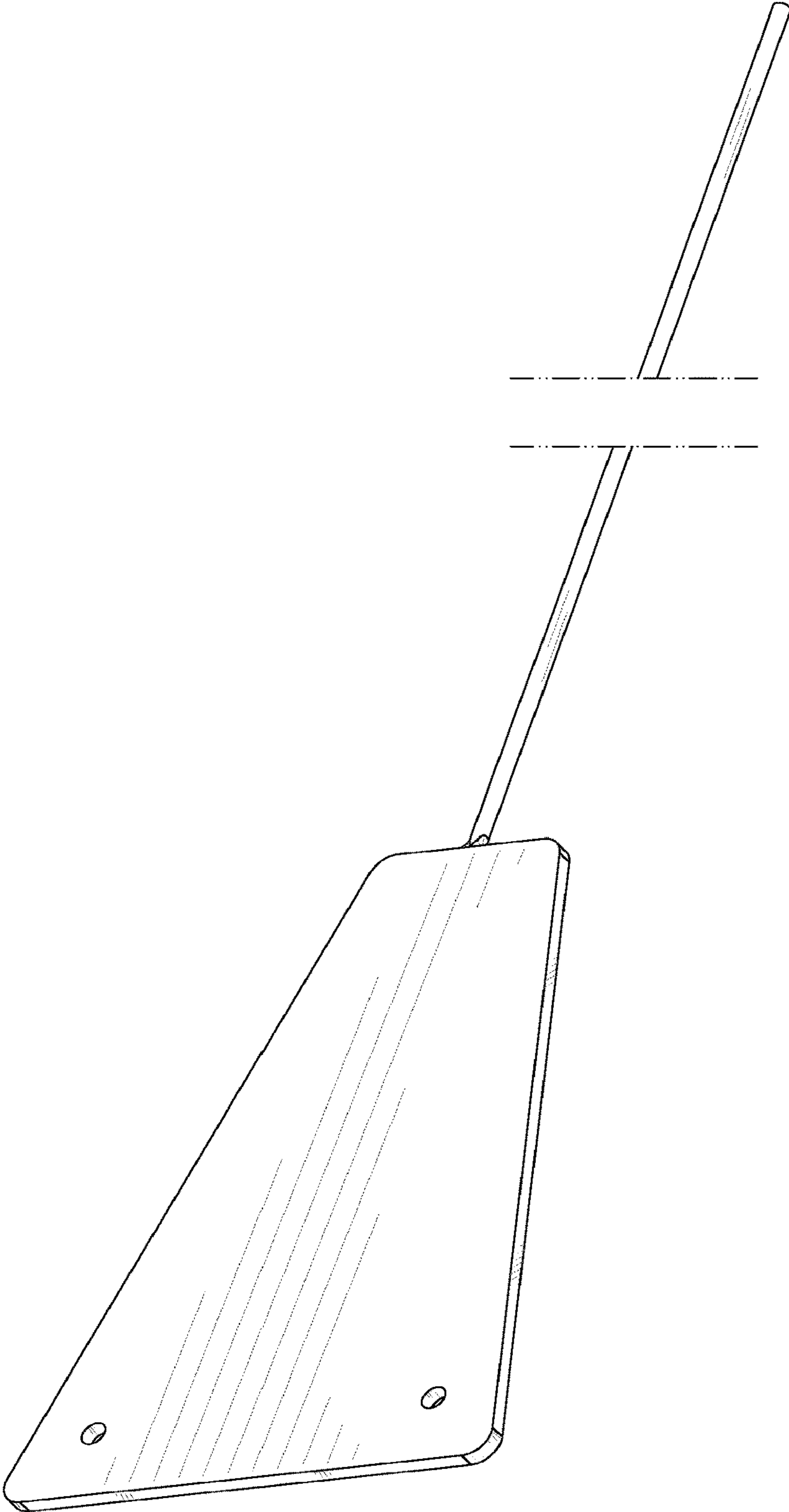


FIG. 7