



US00D942004S

(12) **United States Design Patent**
Doerr

(10) **Patent No.:** **US D942,004 S**
(45) **Date of Patent:** **** Jan. 25, 2022**

(54) **MOUNT FOR AN INDICATOR OR INSTRUMENT**

(71) Applicant: **Robert Bosch GmbH**, Stuttgart (DE)

(72) Inventor: **Daniel Doerr**, Stuttgart (DE)

(73) Assignee: **Robert Bosch GmbH**, Stuttgart (DE)

(**) Term: **15 Years**

(21) Appl. No.: **29/724,420**

(22) Filed: **Feb. 14, 2020**

(30) **Foreign Application Priority Data**

Aug. 16, 2019 (EM) 006731279

(51) **LOC (13) Cl.** **24-02**

(52) **U.S. Cl.**
USPC **D24/128; D14/238**

(58) **Field of Classification Search**
USPC D24/128; D13/107; D14/434, 371, 238,
D14/217, 224, 251-253, 440, 447, 451,
D14/452; D12/415; D10/98
See application file for complete search history.

(56) **References Cited**

U.S. PATENT DOCUMENTS

- D471,907 S * 3/2003 Peiker D14/253
- D523,008 S * 6/2006 Lodato D14/253
- D609,030 S * 2/2010 Barabas D14/238
- D676,371 S * 2/2013 Son D12/415
- D749,549 S * 2/2016 Wengreen D14/238.1
- D796,735 S * 9/2017 Foleghi D27/107

- D920,339 S * 5/2021 Kaji D14/447
- 2013/0048811 A1* 2/2013 Tseng F16M 13/02
248/220.21
- 2015/0336682 A1* 11/2015 Farnes F16M 11/2028
248/291.1

* cited by examiner

Primary Examiner — Natasha Vujcic

Assistant Examiner — Gilbert B Ford

(74) *Attorney, Agent, or Firm* — Maginot, Moore & Beck LLP

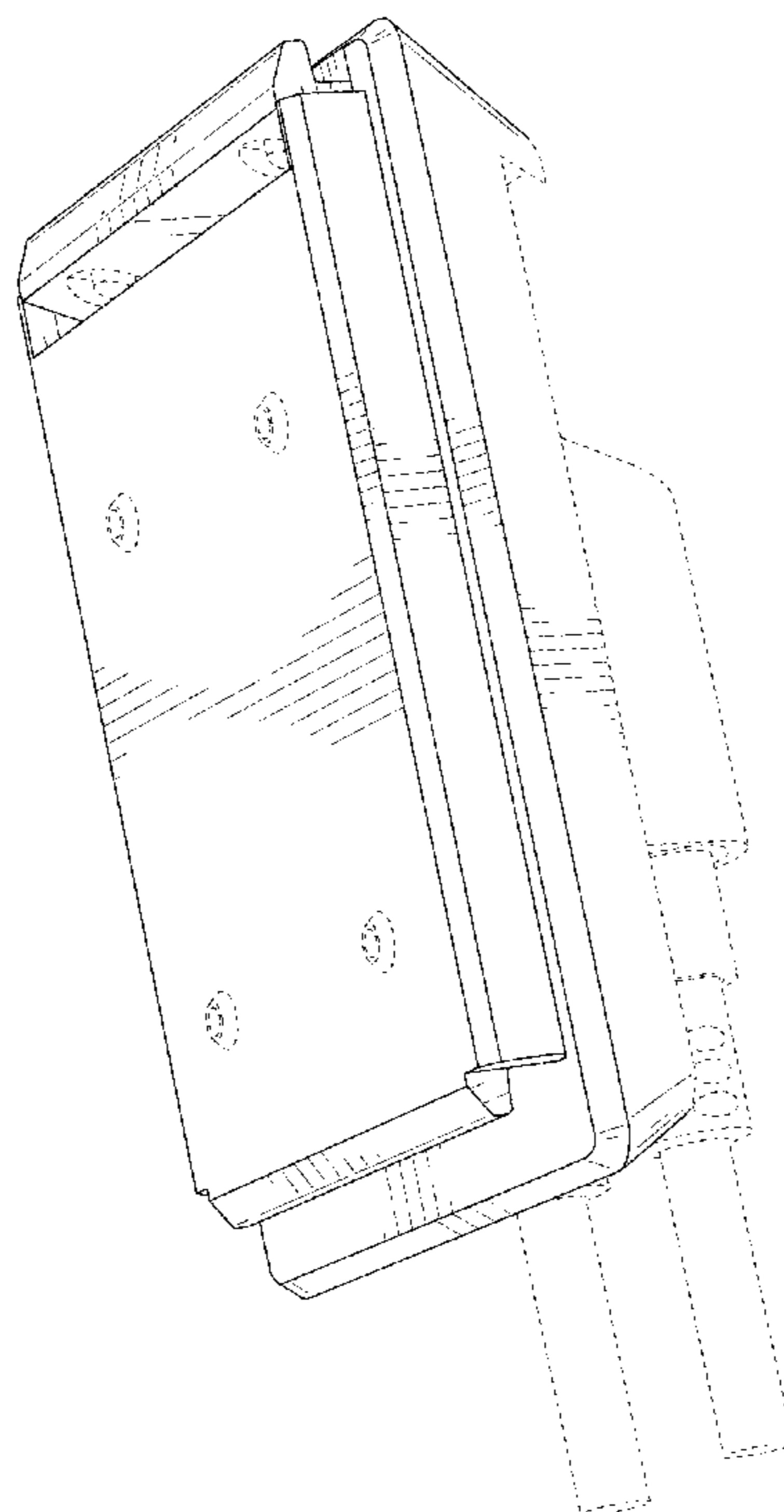
(57) **CLAIM**

The ornamental design for a mount for an indicator or instrument, as shown and described.

DESCRIPTION

FIG. 1 is a perspective view of a mount for an indicator or instrument showing my new design;
 FIG. 2 is a right side elevational view of the mount for an indicator or instrument of FIG. 1;
 FIG. 3 is a left side elevational view of the mount for an indicator or instrument of FIG. 1;
 FIG. 4 is a bottom plan view of the mount for an indicator or instrument of FIG. 1;
 FIG. 5 is a top plan view of the mount for an indicator or instrument of FIG. 1;
 FIG. 6 is a front side elevational view of the mount for an indicator or instrument of FIG. 1; and,
 FIG. 7 is a rear side elevational view of the mount for an indicator or instrument of FIG. 1.
 The broken lines shown in the drawings illustrate portions of the mount for an indicator or instrument that form no part of the claimed design.

1 Claim, 6 Drawing Sheets



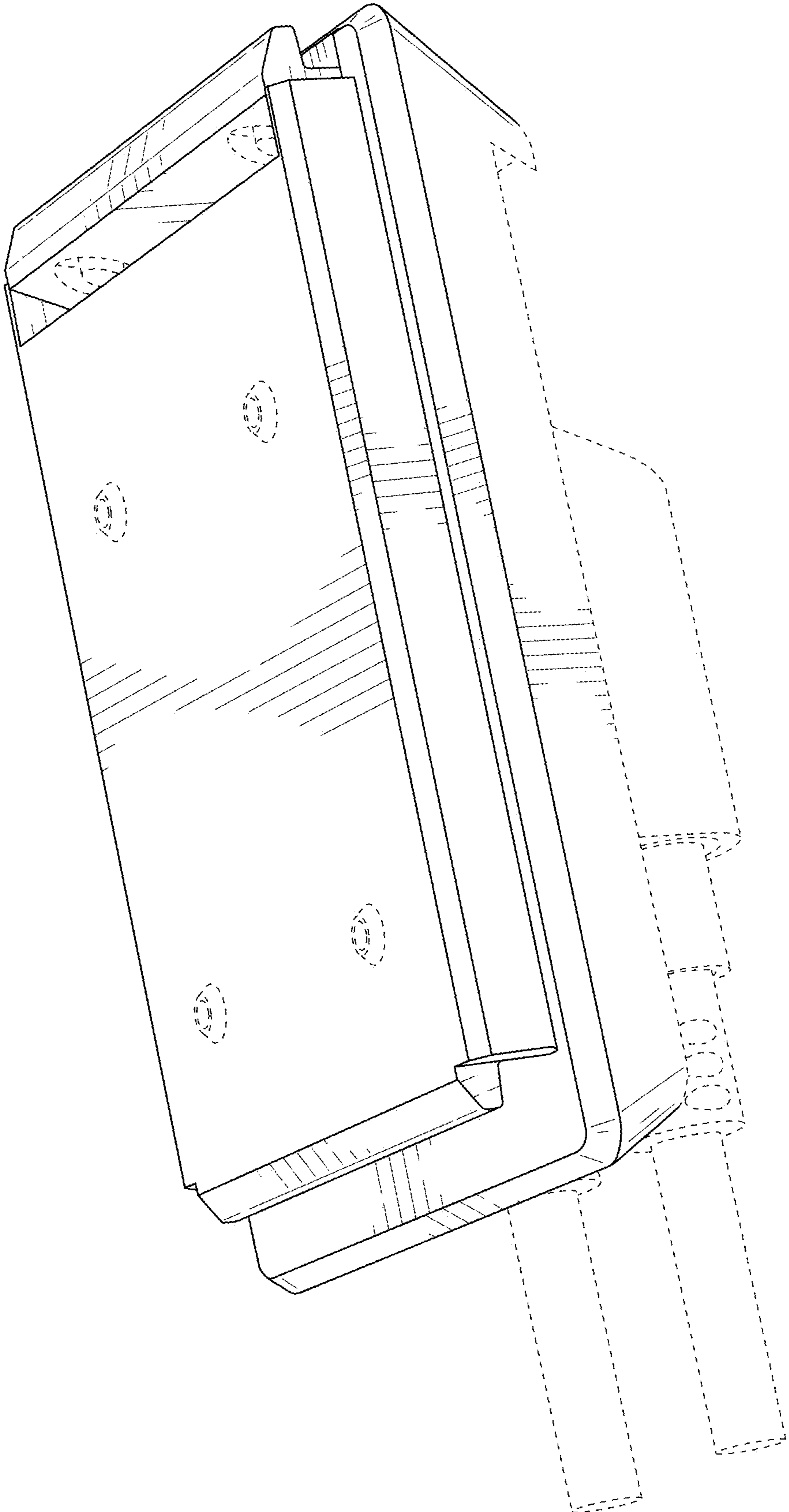


FIG. 1

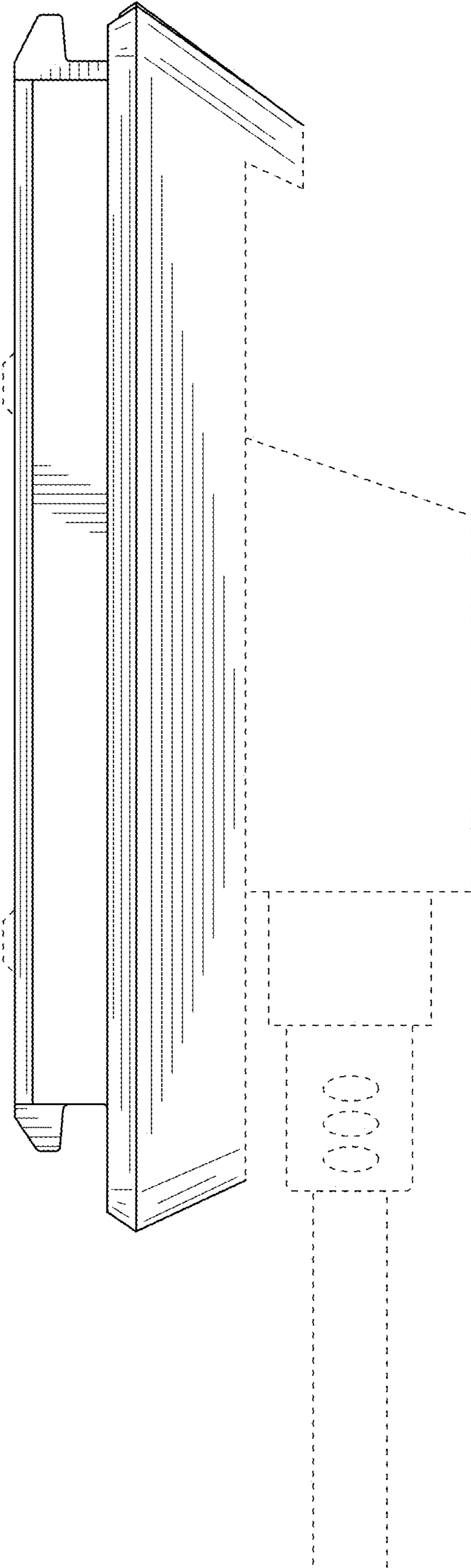


FIG. 2

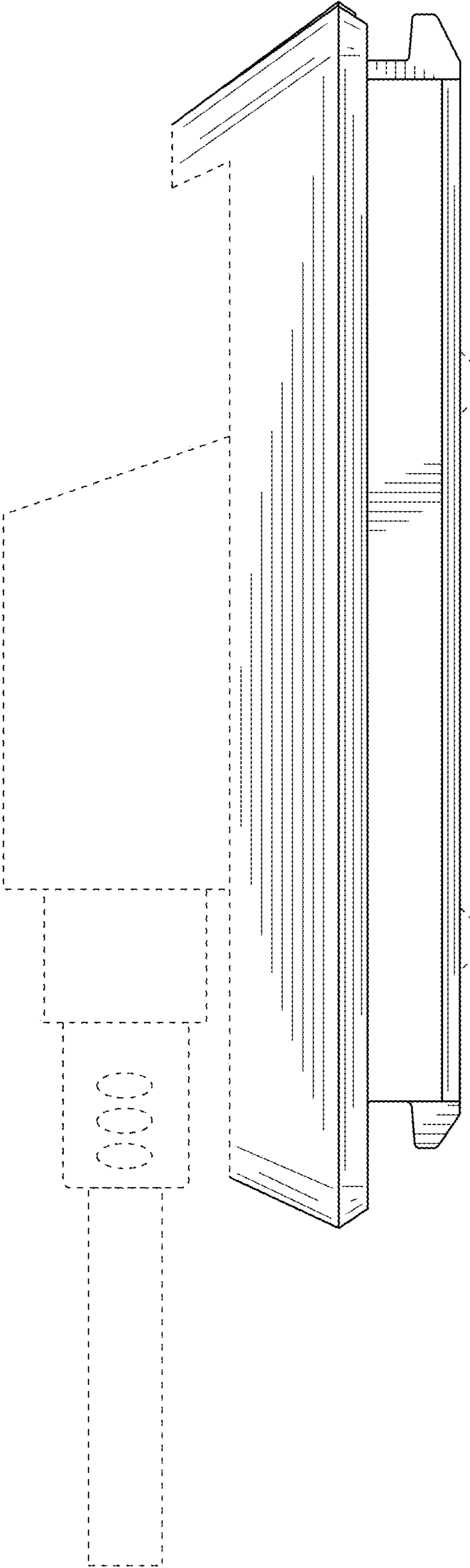


FIG. 3

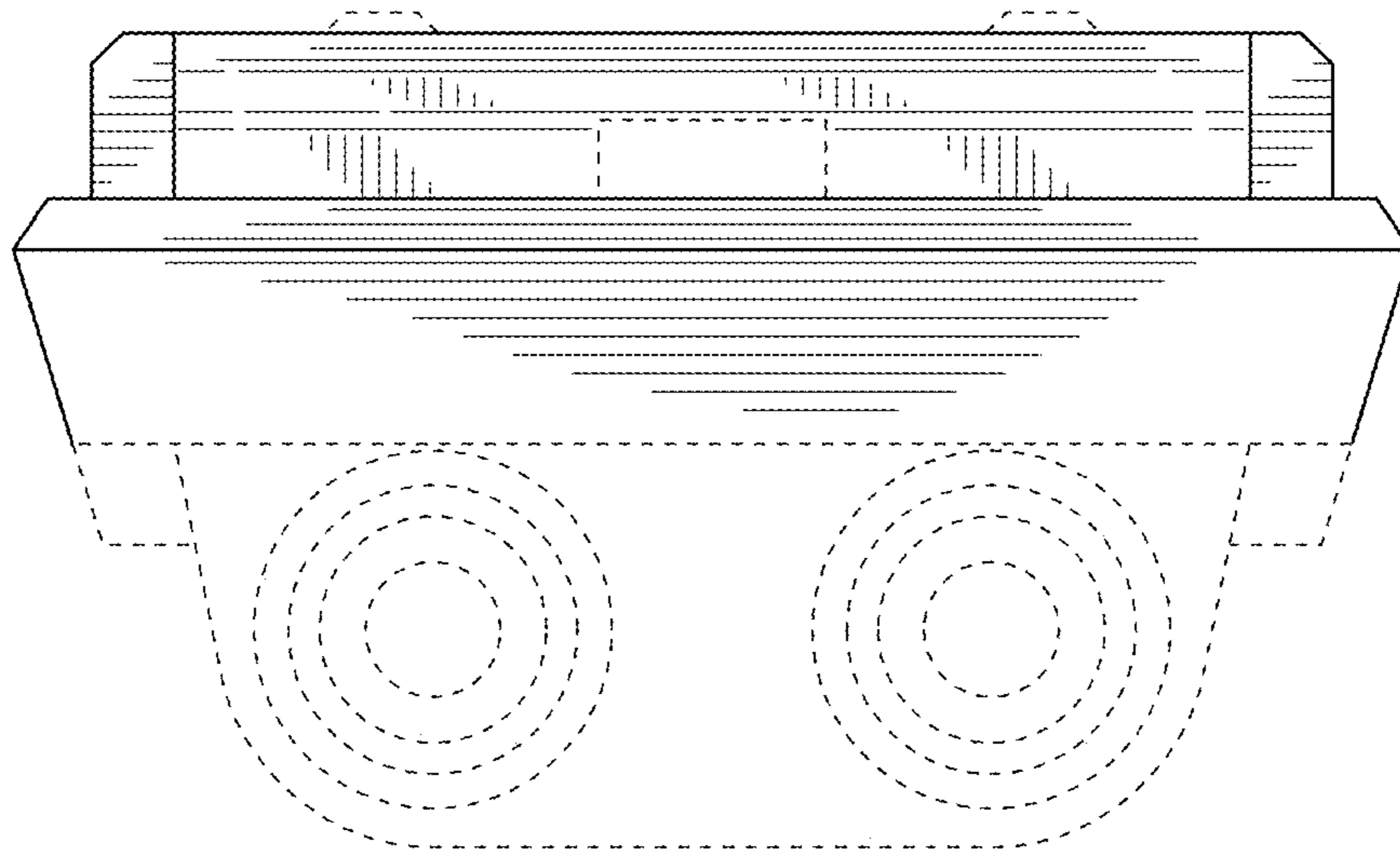


FIG. 4

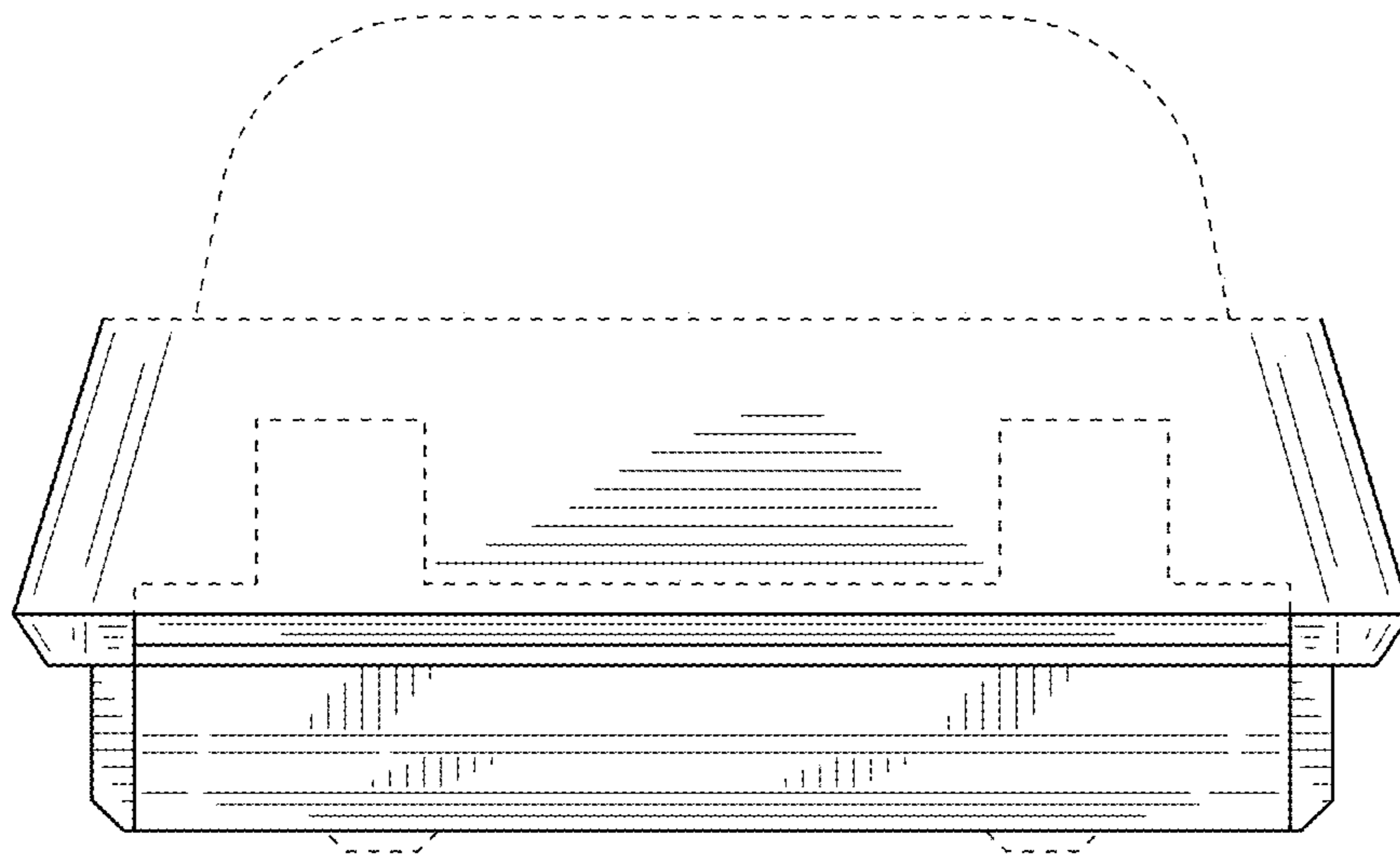


FIG. 5

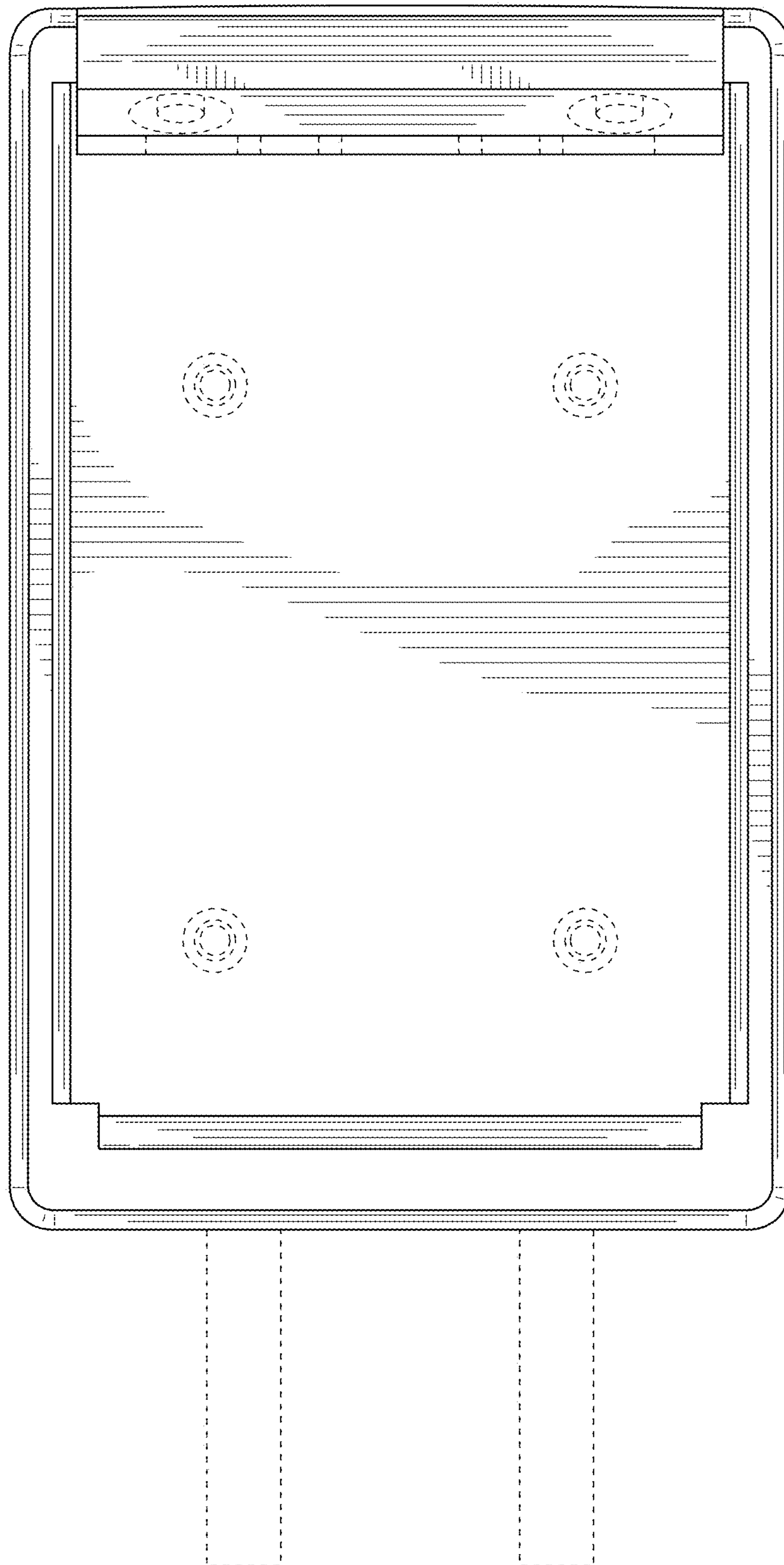


FIG. 6

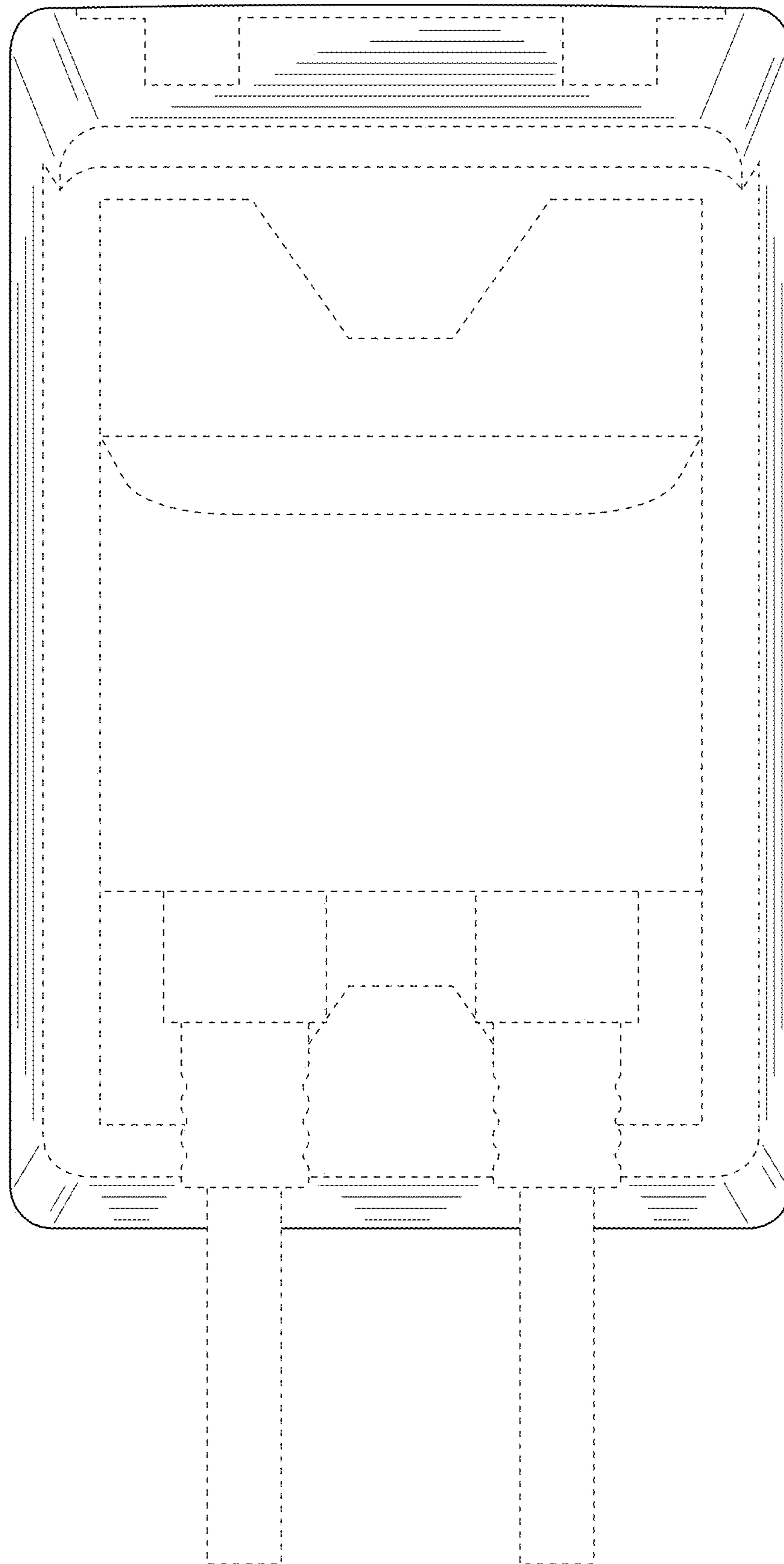


FIG. 7