



US00D942003S

(12) **United States Design Patent** (10) **Patent No.:** **US D942,003 S**
Doerr (45) **Date of Patent:** **** Jan. 25, 2022**

(54) **MOUNT FOR AN INDICATOR OR INSTRUMENT**

D884,165 S * 5/2020 deBock D24/128
D886,094 S * 6/2020 Xu D14/253
D899,431 S * 10/2020 Burns D14/447

(Continued)

(71) Applicant: **Robert Bosch GmbH**, Stuttgart (DE)

Primary Examiner — Natasha Vujcic

(72) Inventor: **Daniel Doerr**, Stuttgart (DE)

Assistant Examiner — Gilbert B Ford

(73) Assignee: **Robert Bosch GmbH**, Stuttgart (DE)

(74) *Attorney, Agent, or Firm* — Maginot, Moore & Beck LLP

(**) Term: **15 Years**

(57) **CLAIM**

(21) Appl. No.: **29/724,415**

The ornamental design for a mount for an indicator or instrument, as shown and described.

(22) Filed: **Feb. 14, 2020**

DESCRIPTION

(30) **Foreign Application Priority Data**

Aug. 16, 2019 (EM) 006731261

(51) **LOC (13) Cl.** **24-02**

(52) **U.S. Cl.**
USPC **D24/128**; D14/238

(58) **Field of Classification Search**
USPC D24/128; D13/107; D14/434, 371, 238,
D14/217, 224, 251–253, 440, 447, 451,
D14/452; D12/415; D10/98
See application file for complete search history.

Cross reference is made to copending U.S. design patent application Ser. No. 29/724,414 entitled “Mount for an Indicator or Instrument” by Daniel Doerr, which was filed on even date herewith; and to copending U.S. design patent application Ser. No. 29/724,417 entitled “Mount for an Indicator or Instrument” by Daniel Doerr, which was filed on even date herewith.

FIG. 1 is a perspective view of a mount for an indicator or instrument showing my new design;

FIG. 2 is a right side elevational view of the mount for an indicator or instrument of FIG. 1;

FIG. 3 is a left side elevational view of the mount for an indicator or instrument of FIG. 1;

FIG. 4 is a top plan view of the mount for an indicator or instrument of FIG. 1;

FIG. 5 is a bottom plan view of the mount for an indicator or instrument of FIG. 1;

FIG. 6 is a front side elevational view of the mount for an indicator or instrument of FIG. 1; and,

FIG. 7 is a rear side elevational view of the mount for an indicator or instrument of FIG. 1.

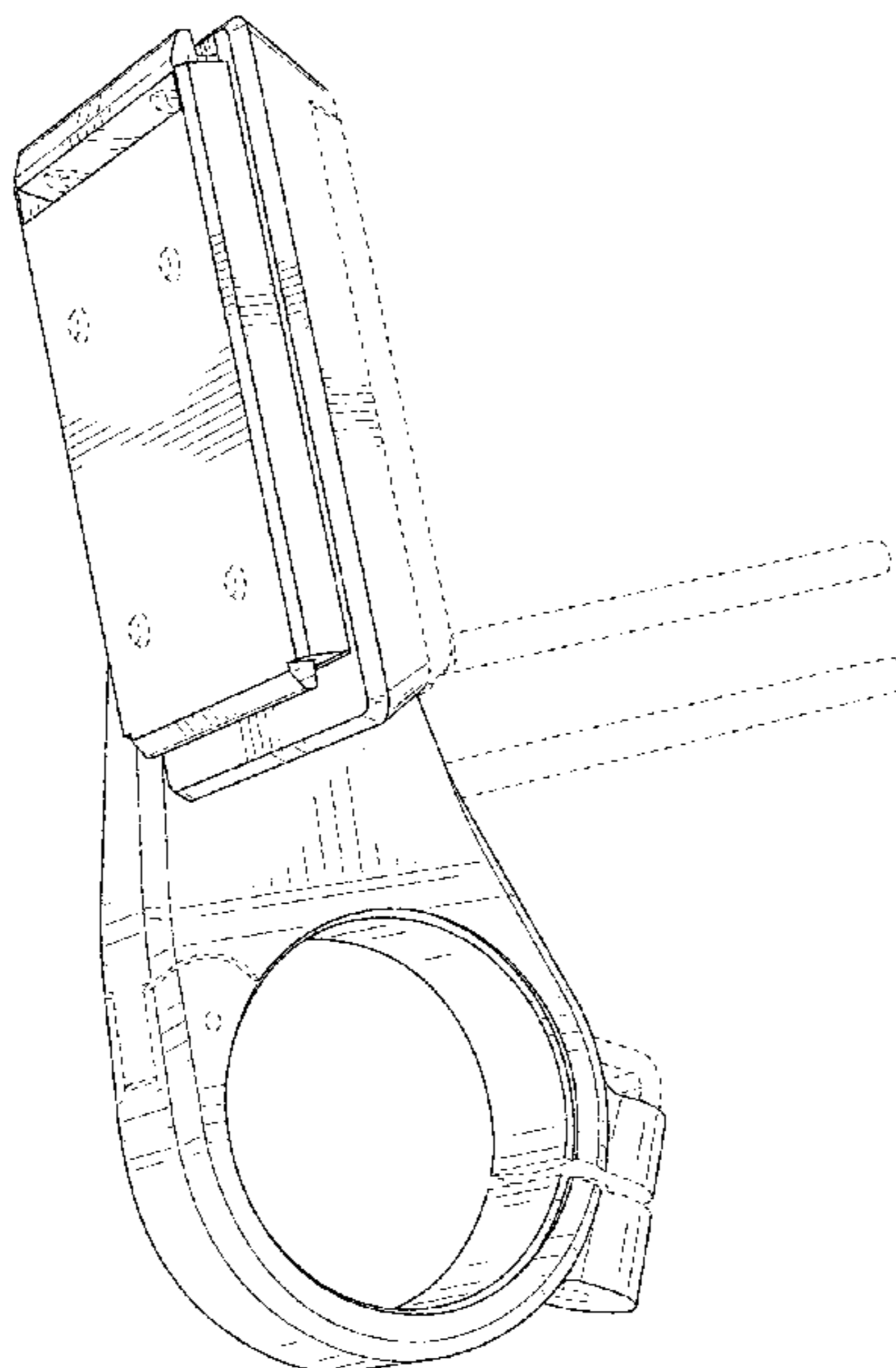
The broken lines shown in the drawings illustrate portions of the mount for an indicator or instrument that form no part of the claimed design.

(56) **References Cited**

U.S. PATENT DOCUMENTS

D547,863 S * 7/2007 Heinsch D24/128
D569,973 S * 5/2008 Oren D24/133
D609,030 S * 2/2010 Barabas D14/238
D676,371 S * 2/2013 Son D12/415
D749,549 S * 2/2016 Wengreen D14/238.1
D796,735 S * 9/2017 Foleghi D27/107
D808,021 S * 1/2018 Coonahan D24/186
D845,960 S * 4/2019 Yao D14/447
10,315,585 B2 * 6/2019 Minn F16B 2/065
D858,509 S * 9/2019 Yao D14/253
D859,395 S * 9/2019 Yao D14/253
D873,814 S * 1/2020 Yang D14/253

1 Claim, 6 Drawing Sheets



(56)

References Cited

U.S. PATENT DOCUMENTS

D921,202 S * 6/2021 Al-Ali D24/165
2012/0223196 A1* 9/2012 Musselman B60R 11/02
248/220.21
2013/0048811 A1* 2/2013 Tseng F16M 13/02
248/220.21
2015/0336682 A1* 11/2015 Farnes F16M 11/2028
248/291.1
2017/0072872 A1* 3/2017 Balmer F16M 11/14
2018/0043840 A1* 2/2018 Minn B60R 11/02
2020/0254940 A1* 8/2020 Dang B60R 11/0252

* cited by examiner

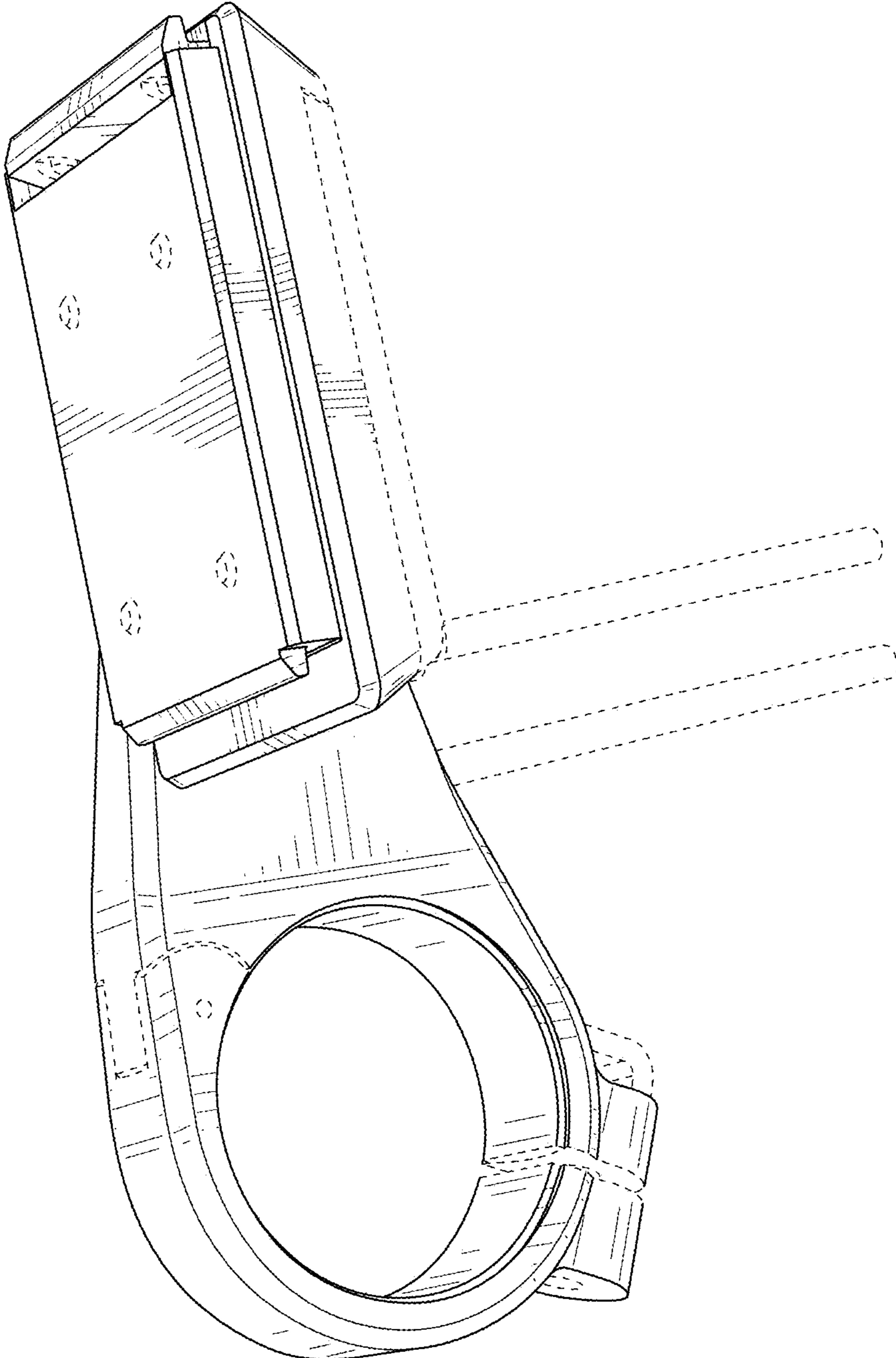


FIG. 1

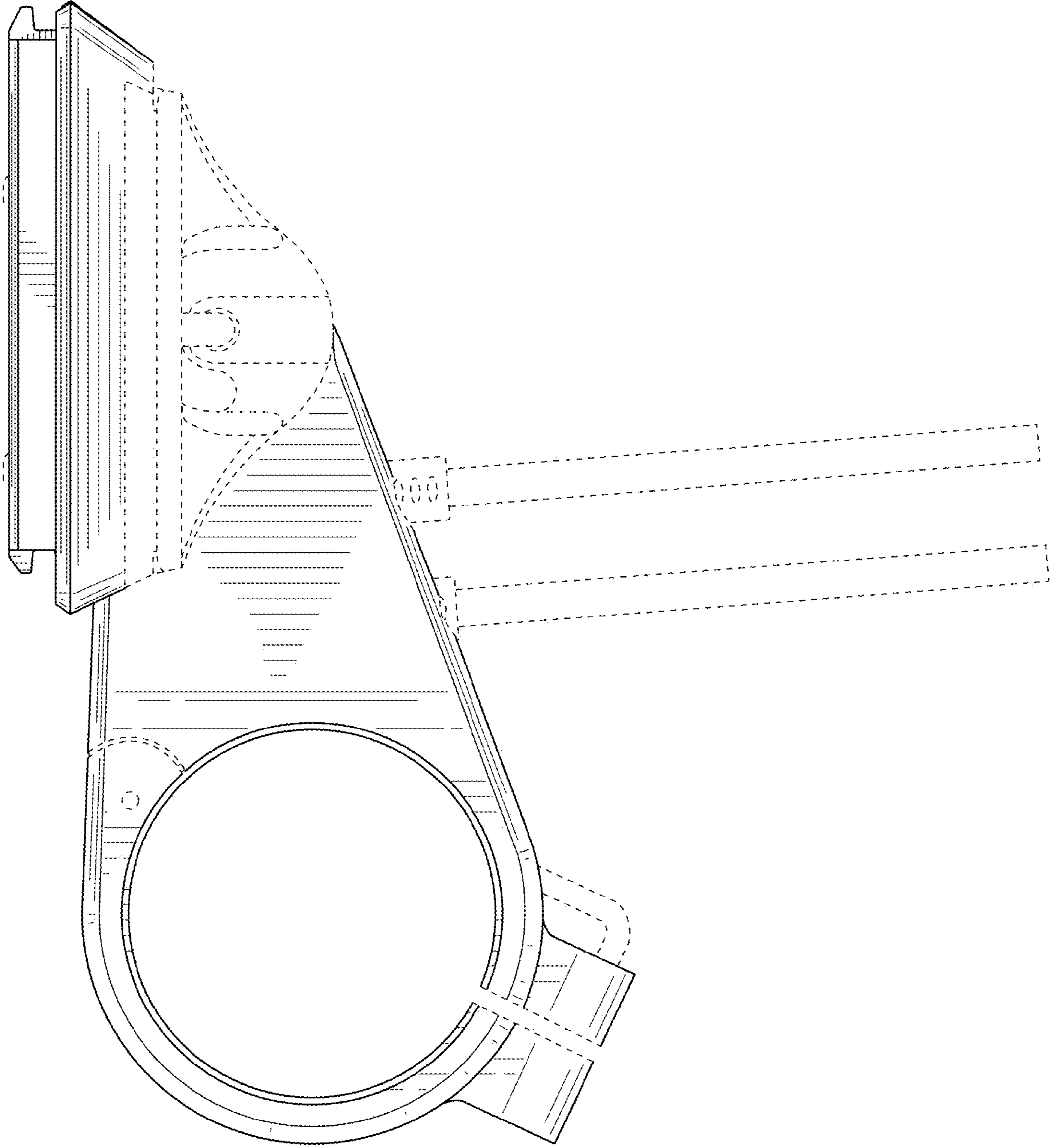


FIG. 2

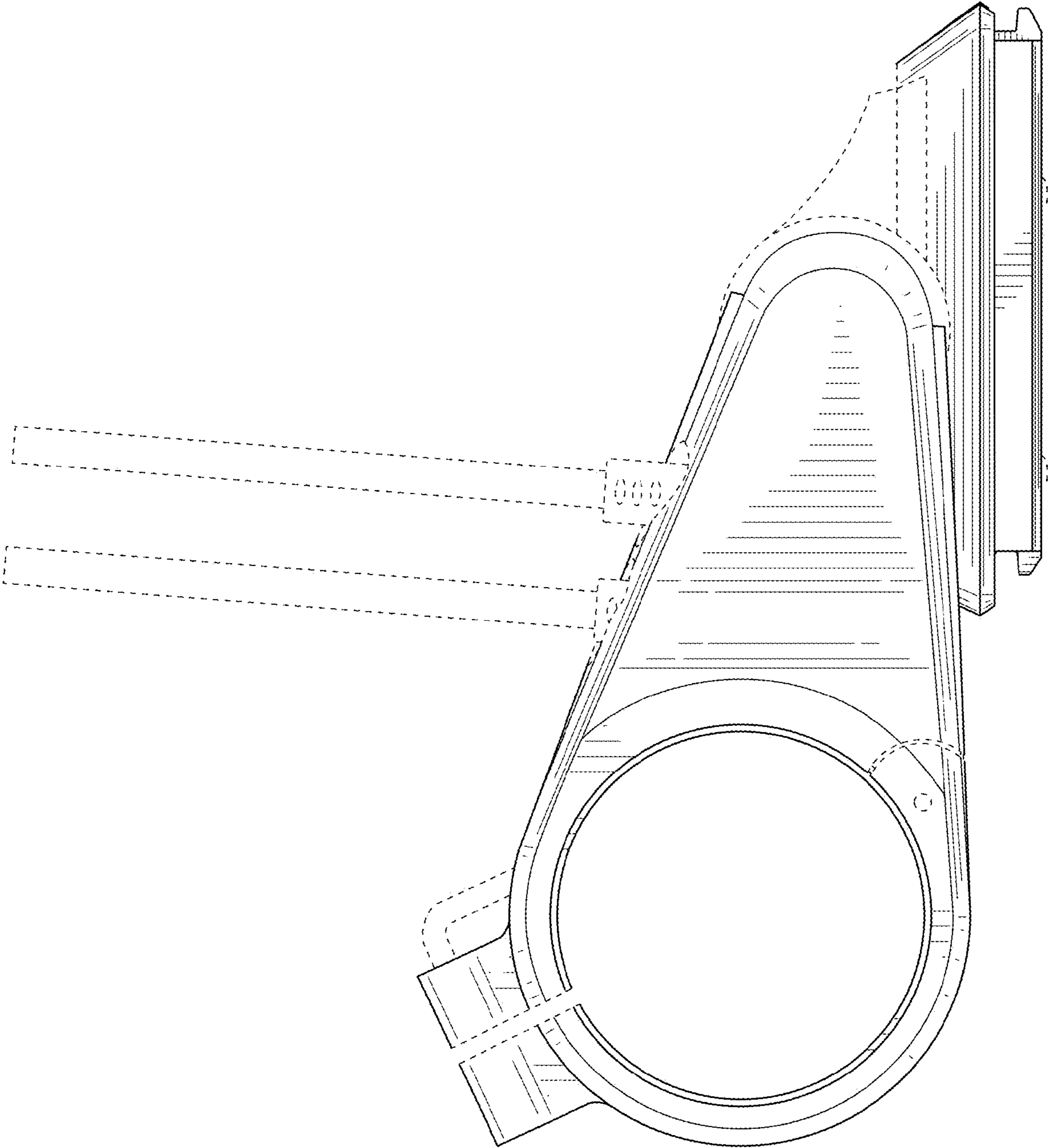
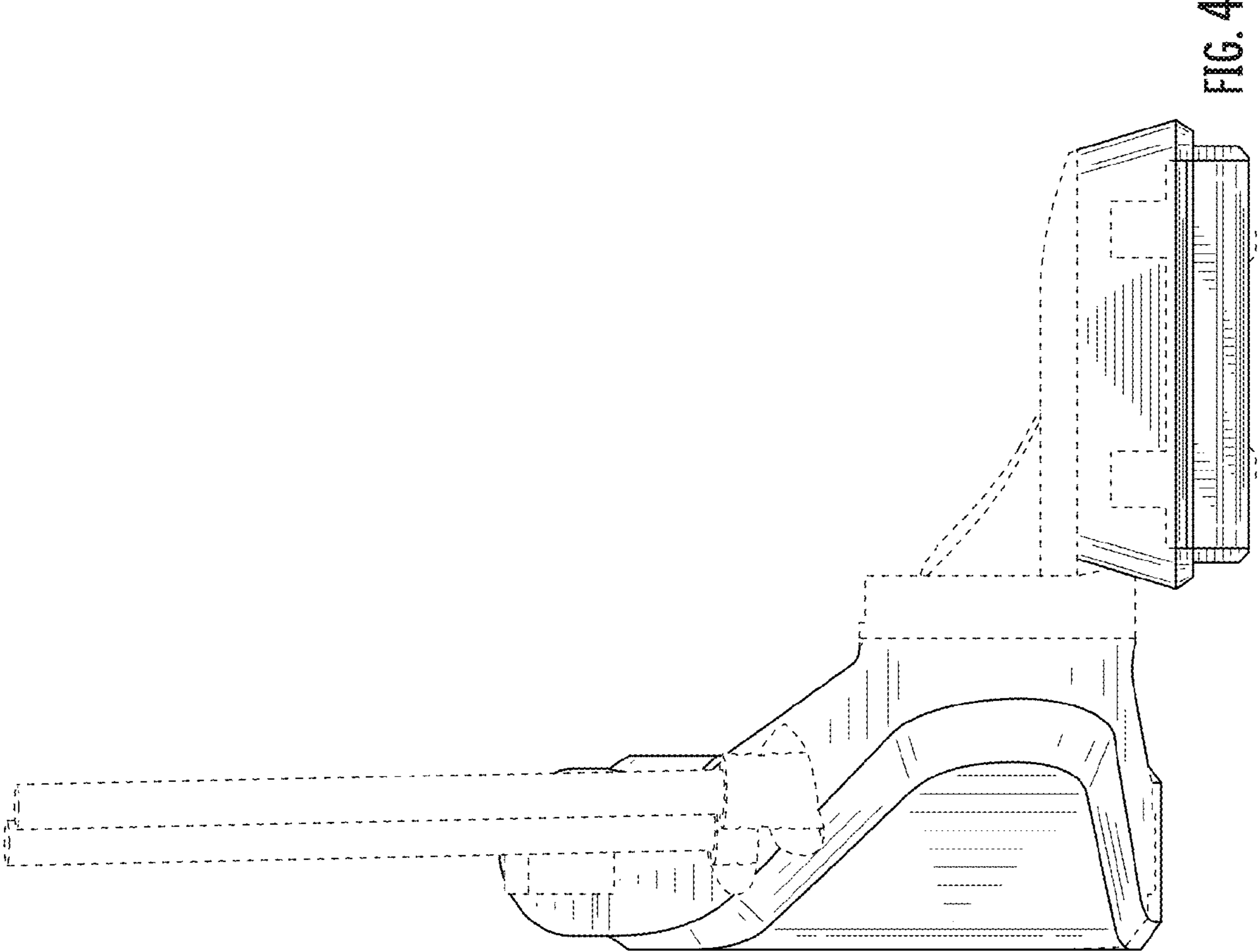
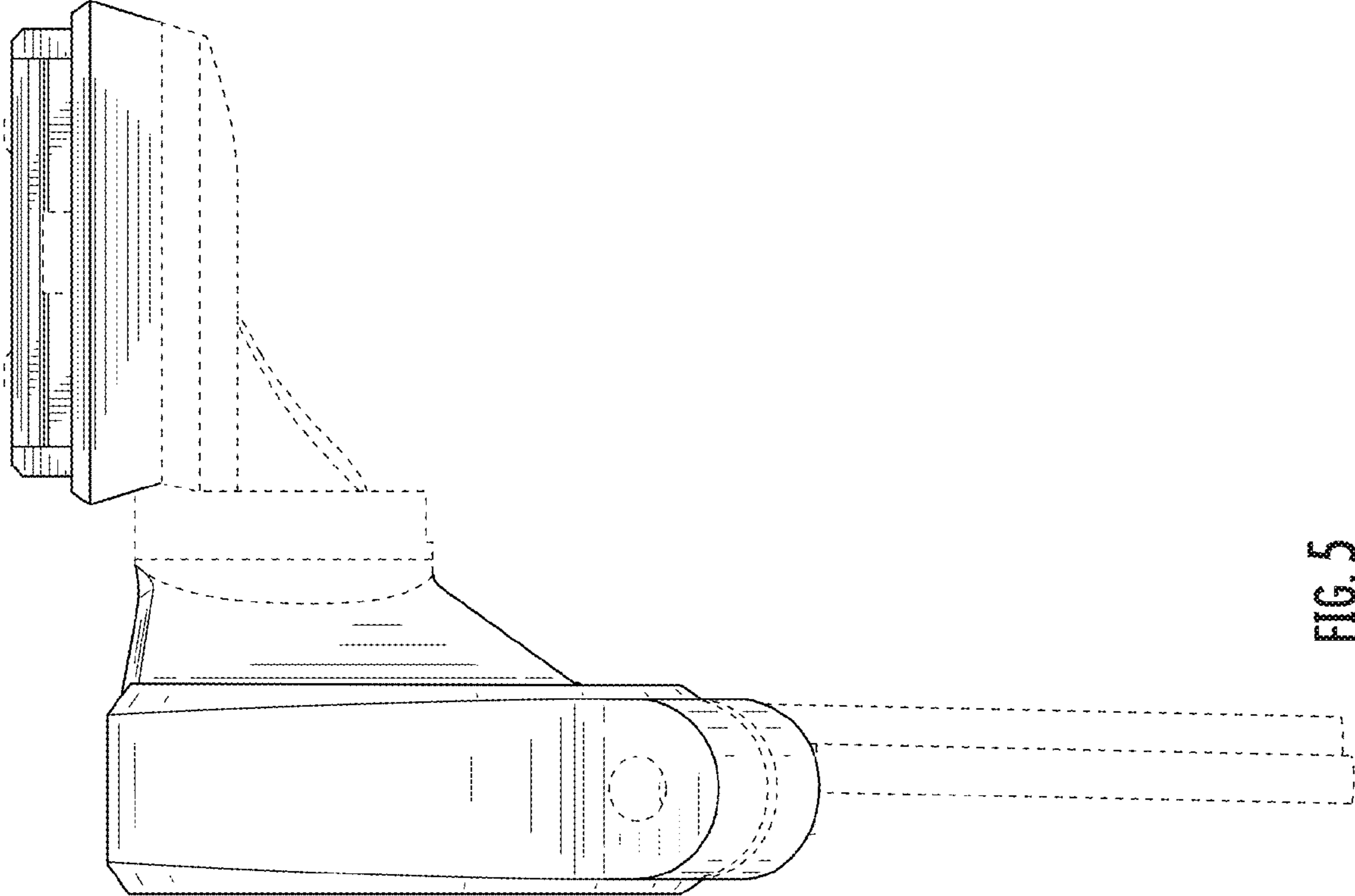


FIG. 3



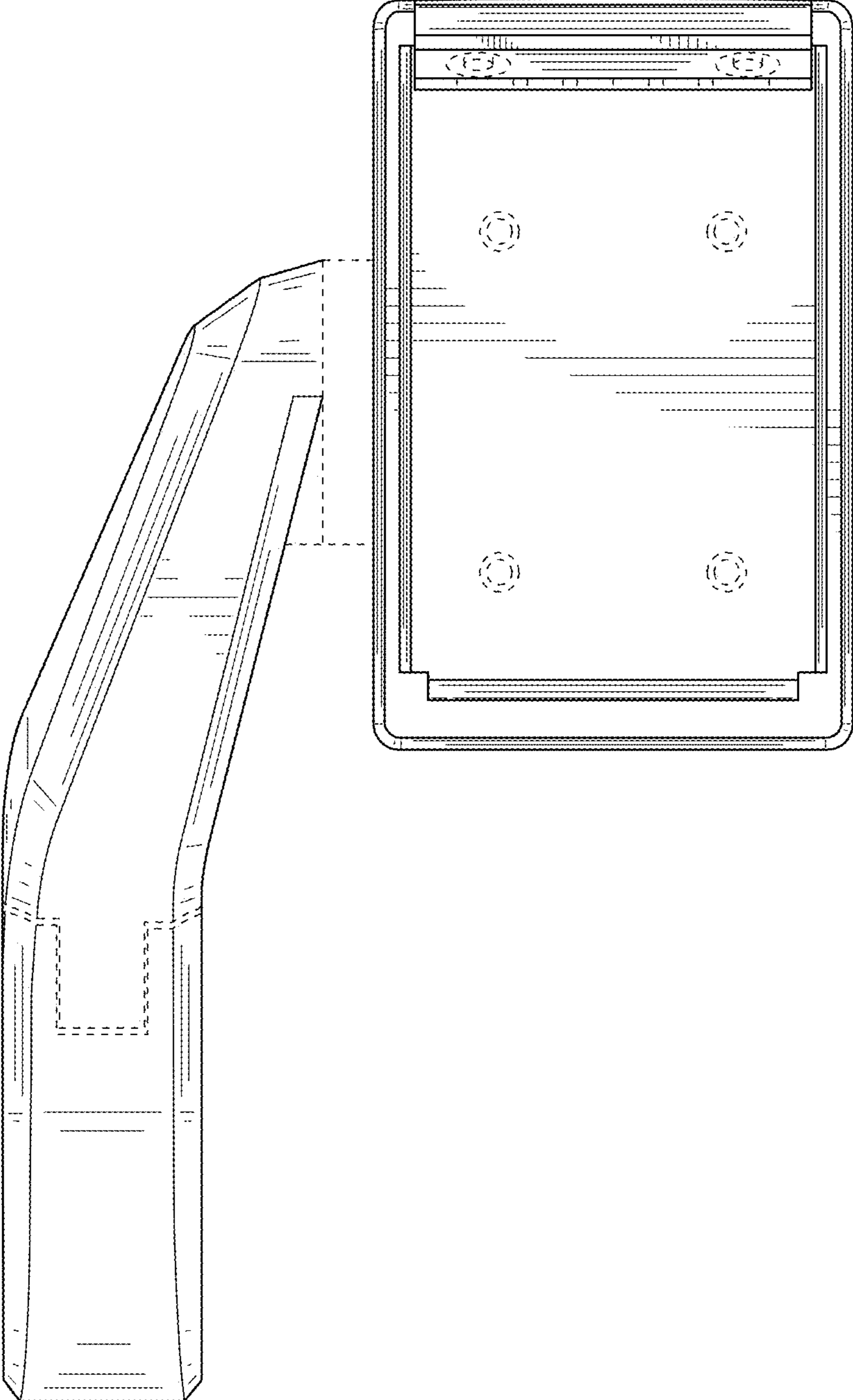


FIG. 6

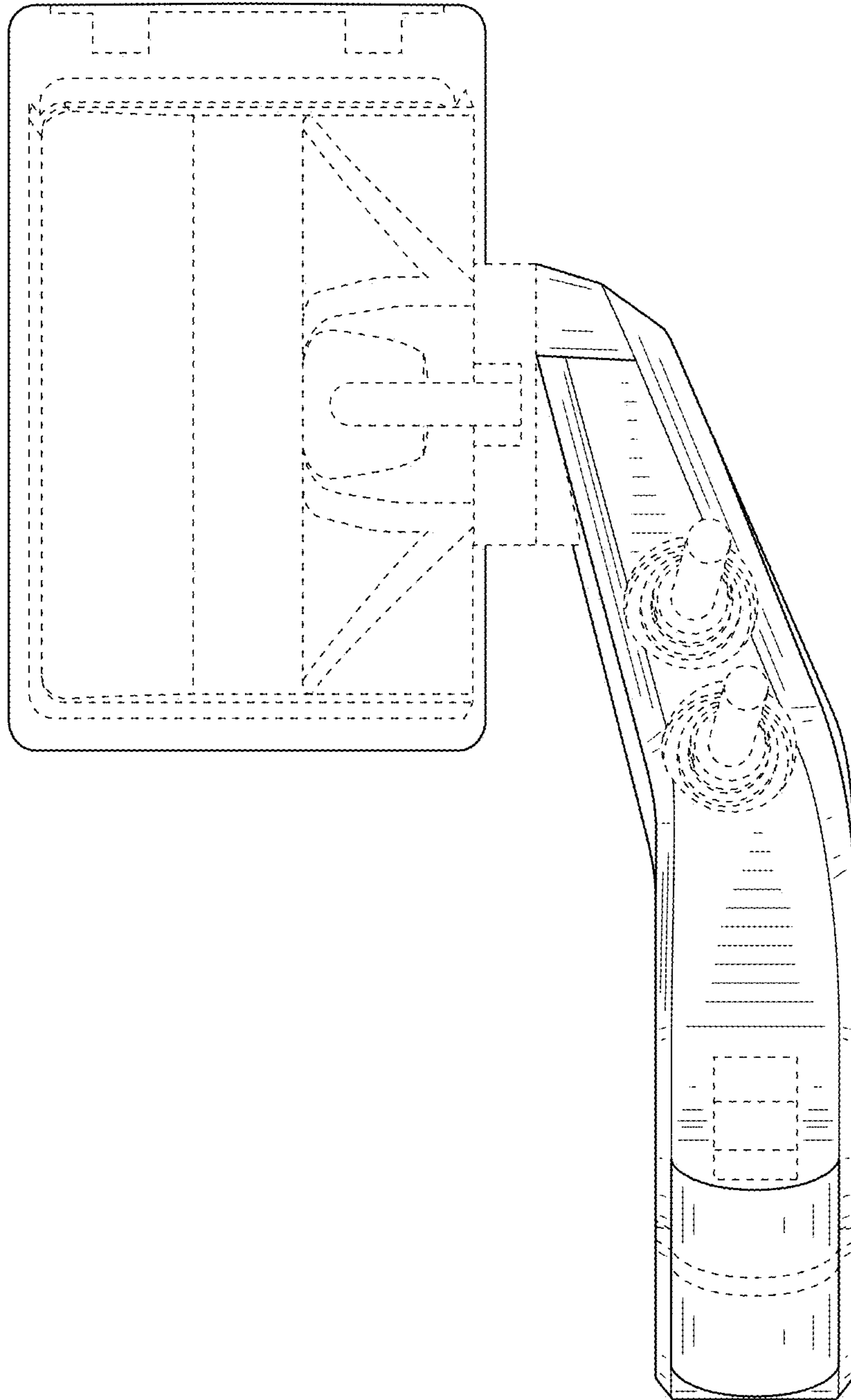


FIG. 7