



US00D941996S

(12) **United States Design Patent** (10) **Patent No.:** **US D941,996 S**
Tani (45) **Date of Patent:** **** Jan. 25, 2022**

(54) **MEDICINE INJECTOR**

(71) Applicant: **PHC Holdings Corporation**, Tokyo (JP)

(72) Inventor: **Ryosuke Tani**, Ehime (JP)

(73) Assignee: **PHC Holdings Corporation**, Tokyo (JP)

(**) Term: **15 Years**

(21) Appl. No.: **29/774,933**

(22) Filed: **Mar. 19, 2021**

Related U.S. Application Data

(62) Division of application No. 29/680,108, filed on Feb. 13, 2019, now Pat. No. Des. 921,191.

(30) **Foreign Application Priority Data**

Nov. 5, 2018 (JP) 2018-024294

(51) **LOC (13) Cl.** **24-02**

(52) **U.S. Cl.**
USPC **D24/113**

(58) **Field of Classification Search**
USPC D24/112-114, 108, 133, 130, 127, 186;
606/181, 185; 604/264, 272, 187, 181,
604/184, 227
CPC A61M 5/178; A61M 3/00; A61M 5/20;
A61M 5/31; A61M 5/3146; A61M
5/3129; A61M 5/3148
See application file for complete search history.

(56) **References Cited**

U.S. PATENT DOCUMENTS

D479,598 S 9/2003 Tyce
D479,746 S * 9/2003 Tyce D24/112

D601,257 S * 9/2009 Berlinger D24/169
D650,070 S 12/2011 Mori
D695,394 S 12/2013 Takemoto et al.
D695,395 S 12/2013 Tani et al.
D732,410 S * 6/2015 Waaler D10/81
D741,995 S 10/2015 Prasser et al.
D806,233 S * 12/2017 Wolper D24/112
D833,624 S * 11/2018 DeJong D24/186
D834,708 S * 11/2018 Glocker D24/113
D834,709 S * 11/2018 Glocker D24/113
D835,285 S * 12/2018 Barker D24/186
D837,388 S * 1/2019 DaCosta D24/186
D837,975 S * 1/2019 Protasiewicz D24/113
10,293,110 B2 * 5/2019 Murakami A61M 5/20
2002/0133114 A1 * 9/2002 Itoh A61P 7/04
604/67
2014/0243787 A1 * 8/2014 Mukai A61M 5/20
604/506

* cited by examiner

Primary Examiner — David G Muller

(74) *Attorney, Agent, or Firm* — Crowell & Moring LLP

(57) **CLAIM**

I claim the ornamental design for a medicine injector, as shown and described.

DESCRIPTION

FIG. 1 is a front perspective view of a medicine injector of the present invention;
FIG. 2 is a rear perspective view thereof;
FIG. 3 is a front view thereof;
FIG. 4 is a rear view thereof;
FIG. 5 is a left side view thereof;
FIG. 6 is a right side view thereof;
FIG. 7 is a top view thereof; and,
FIG. 8 is a bottom view thereof.
The broken lines in the figures show portions of the air purifier that form no part of the claimed design.

1 Claim, 4 Drawing Sheets

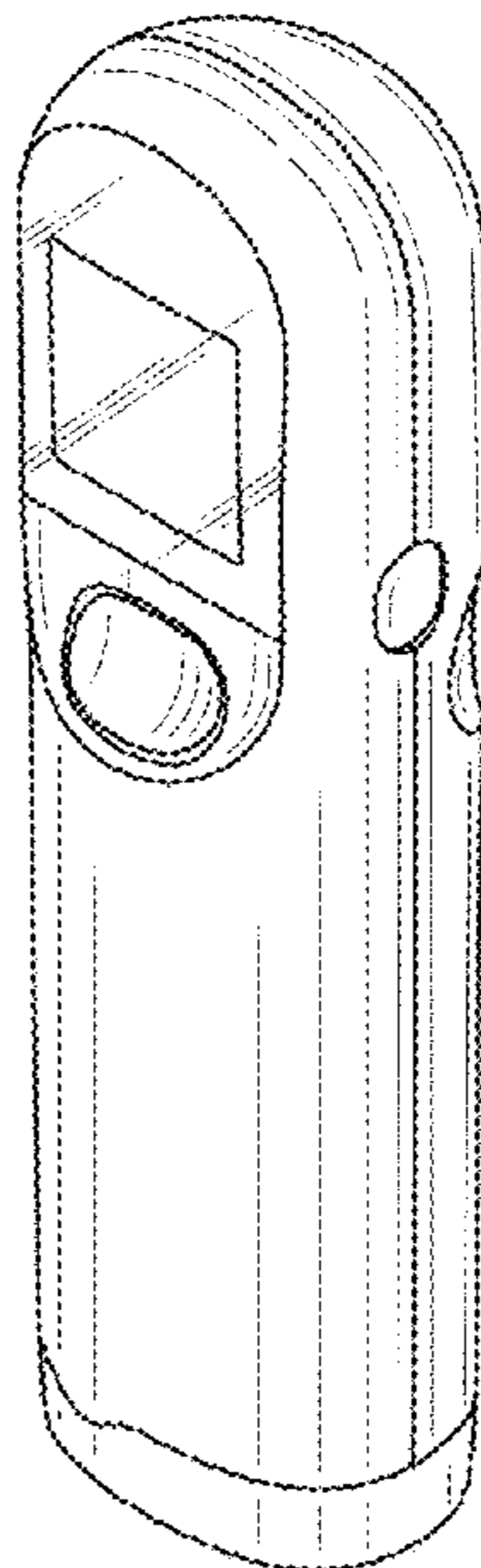


Fig. 1

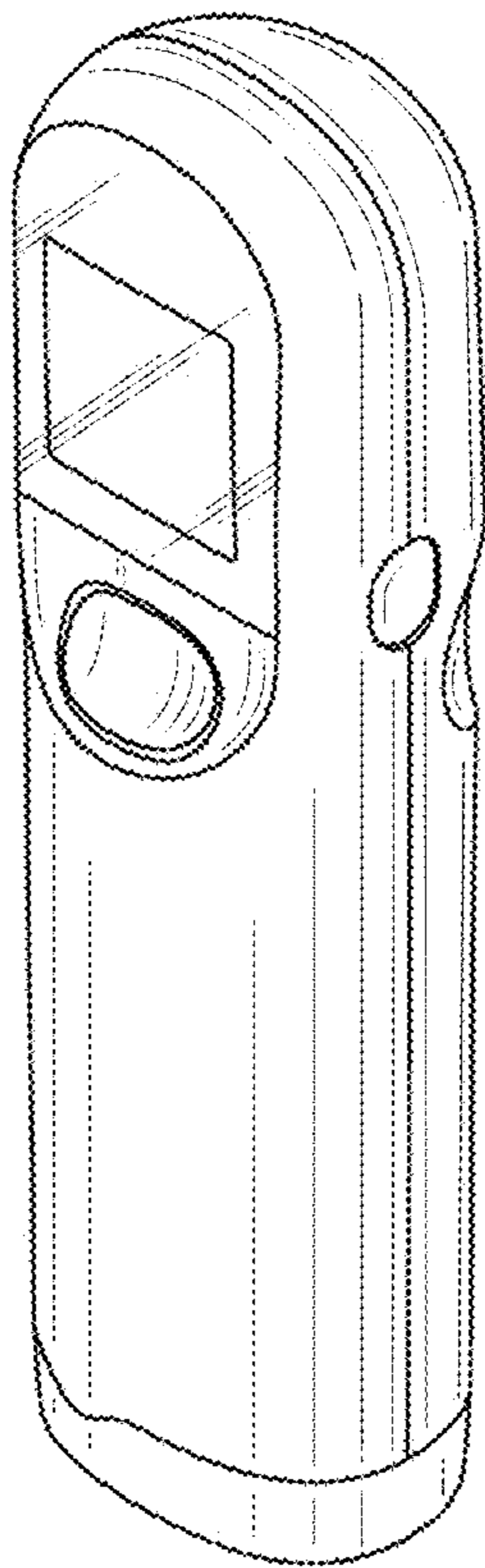


Fig. 2

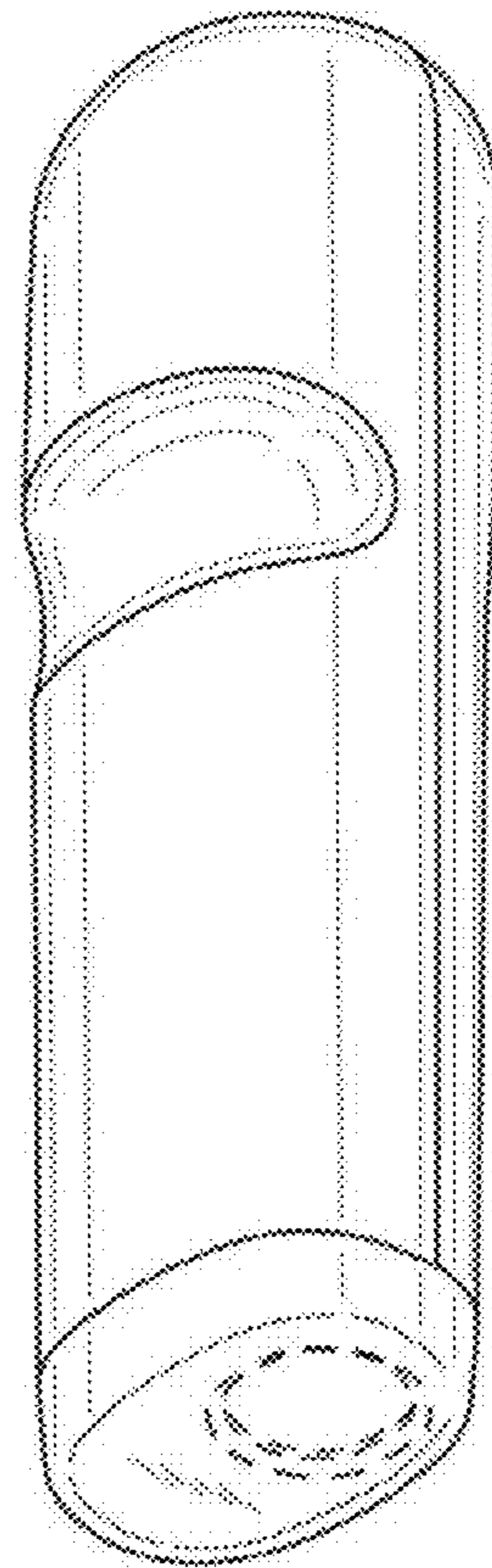


Fig. 3

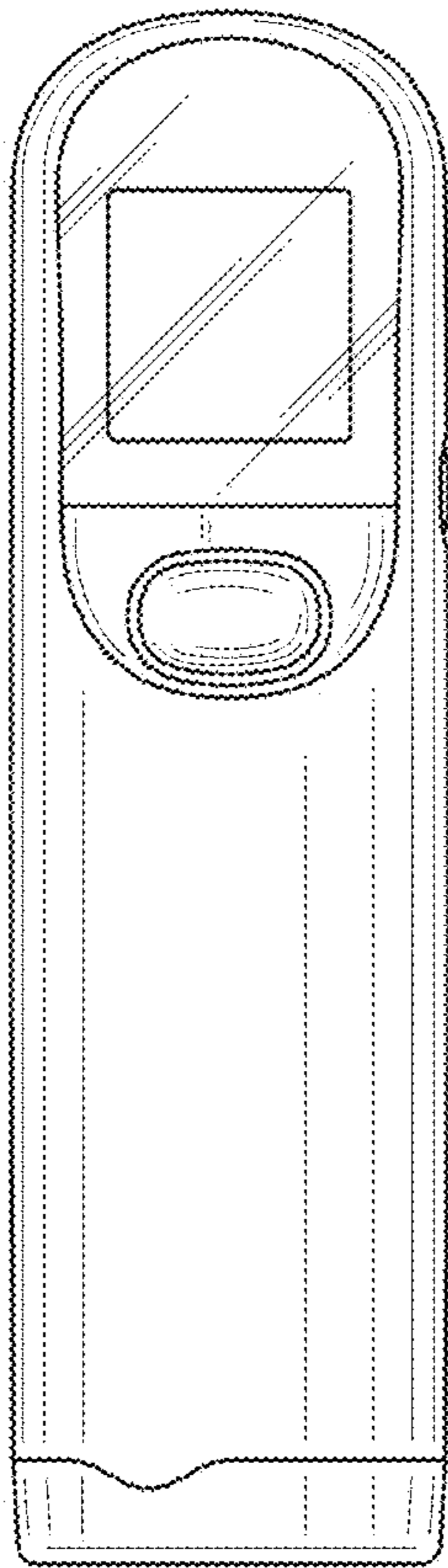


Fig. 4

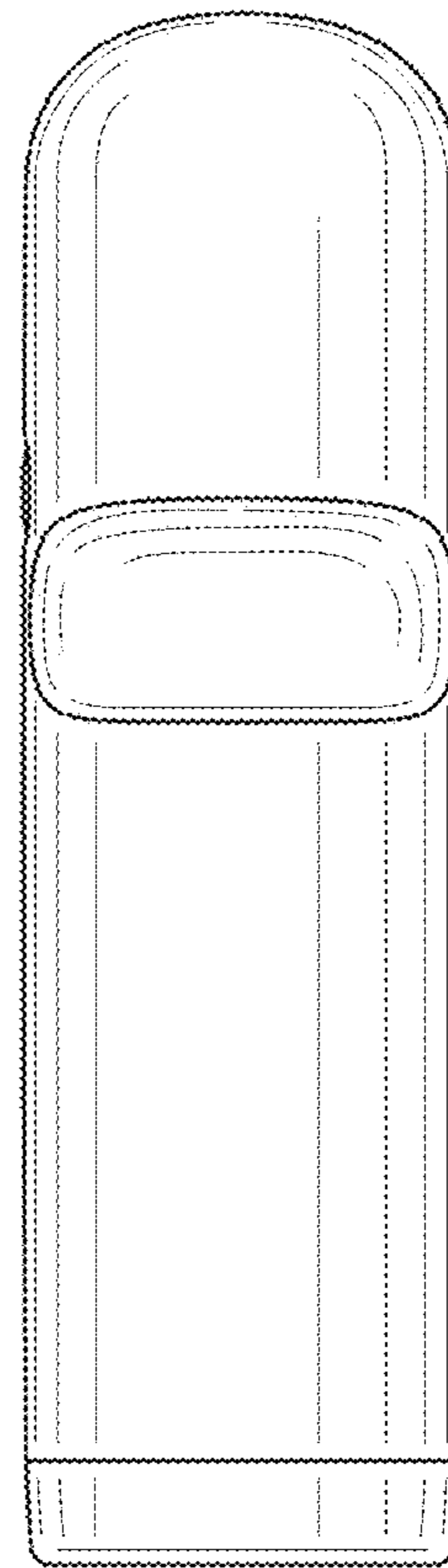


Fig. 5

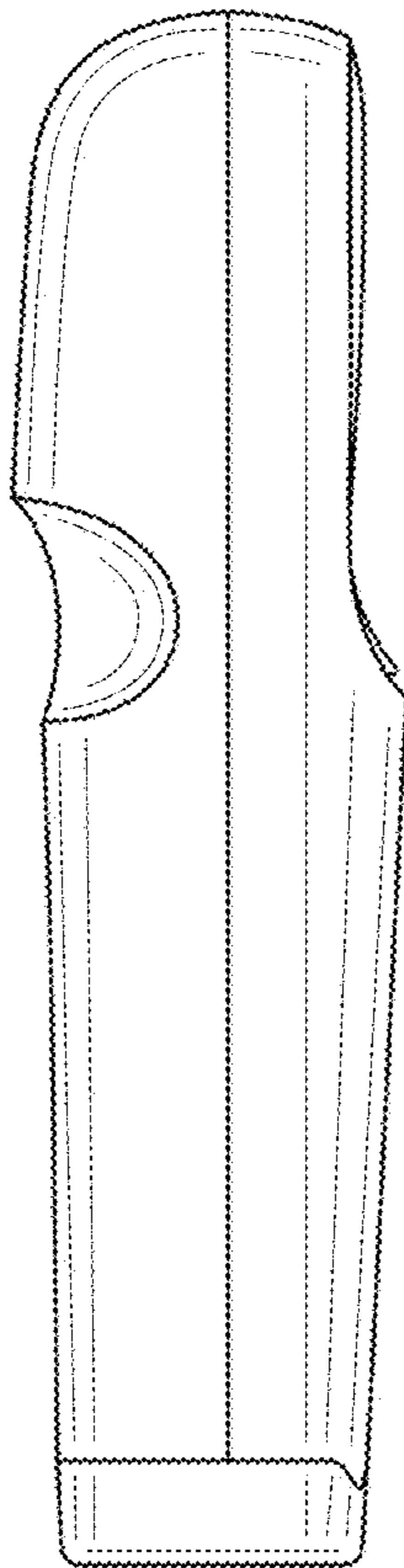


Fig. 6

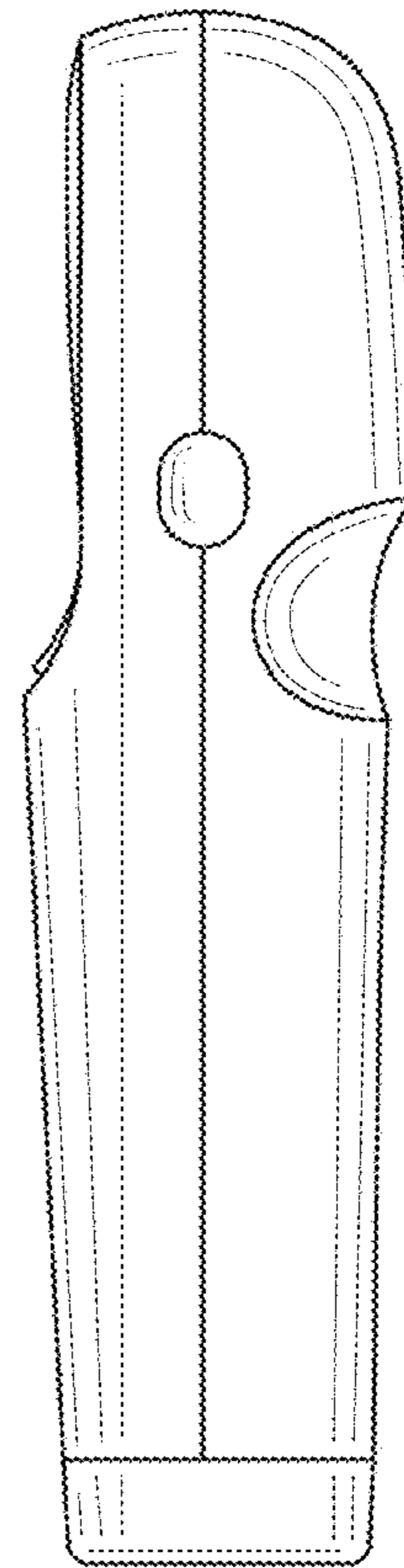


Fig. 7

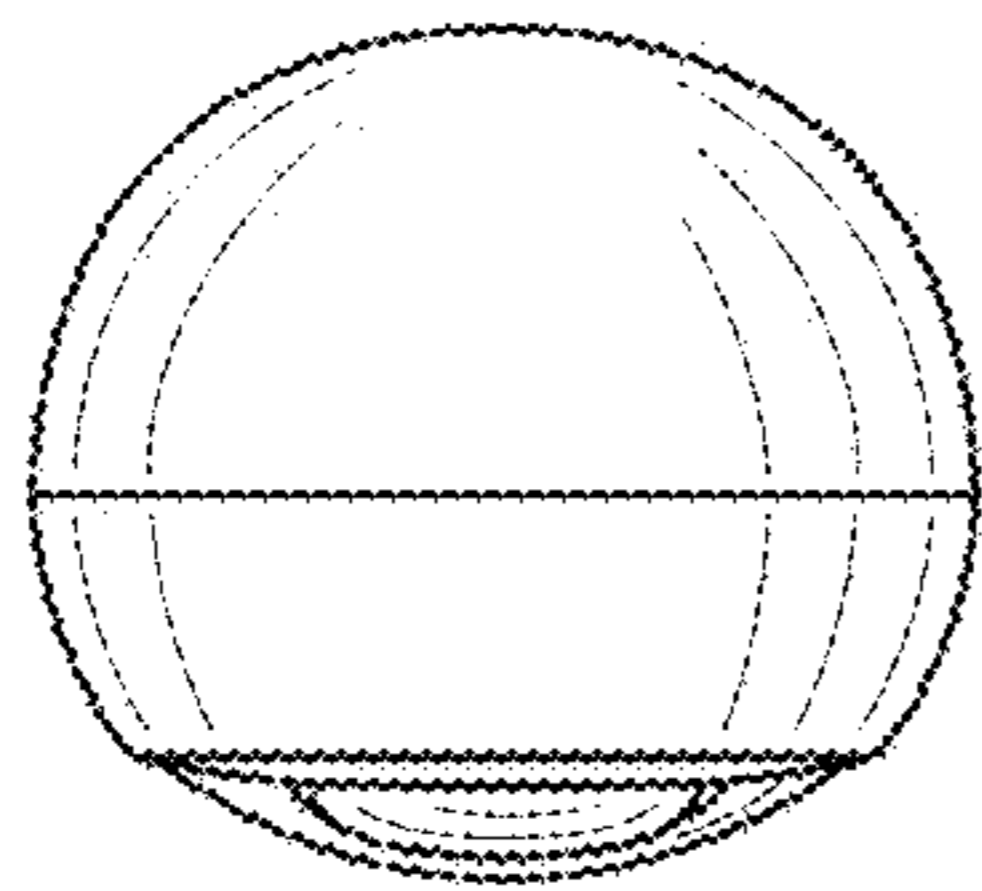


Fig. 8

