



US00D941994S

(12) **United States Design Patent** (10) **Patent No.:** **US D941,994 S**  
**Inoue et al.** (45) **Date of Patent:** **\*\* Jan. 25, 2022**

(54) **SYRINGE**

(56) **References Cited**

(71) Applicant: **MERZ PHARMACEUTICALS GmbH**, Frankfurt am Main (DE)

U.S. PATENT DOCUMENTS

(72) Inventors: **Norihiko Inoue**, London (GB); **Norbert Kaspers**, Schnaittenbach (DE); **Johannes Egger**, Munich (DE); **Simon Schmitt**, Wiesbaden (DE); **Uwe Wortmann**, Marburg (DE); **Jonathan Mason**, St. Albans (GB); **Michael Kunz**, Munster (DE)

D581,046 S *	11/2008	Sudo .....	D24/130
D641,078 S *	7/2011	Morgan .....	D24/114
D674,086 S *	1/2013	Khalaj .....	D24/114
D747,797 S *	1/2016	Fourt .....	D24/114
D754,331 S *	4/2016	Wargner .....	D24/112
D755,955 S *	5/2016	Kawamura .....	D24/112
D776,273 S *	1/2017	Takemoto .....	D24/130
D872,259 S *	1/2020	Guo .....	A61M 5/19 D24/114
D889,639 S *	7/2020	Johnson .....	D24/114
D892,313 S *	8/2020	Lin .....	D24/114

(\*\*) Term: **15 Years**

OTHER PUBLICATIONS

(21) Appl. No.: **29/757,122**

Cardinalhealth.com, Monoject Hypodermic Safety Needles, undated online product page, retrieved Sep. 28, 2021 from <URL:https://www.cardinalhealth.com/en/product-solutions/medical/patient-care/sharps-safety/medication-delivery/safety-needles-and-syringes/monoject-hypodermic-safety-needles.html> (Year: 2021).\*

(22) Filed: **Nov. 3, 2020**

\* cited by examiner

**Related U.S. Application Data**

(62) Division of application No. 35/507,725, filed on Jun. 14, 2019 (U.S. filing date under 35 U.S.C. 384), and having an international filing date of Jun. 14, 2019.

*Primary Examiner* — Calvin E Vansant

(74) *Attorney, Agent, or Firm* — Gregory L. Mayback

(30) **Foreign Application Priority Data**

(57) **CLAIM**

The ornamental design for a syringe, as shown and described.

Jun. 14, 2019 (WO) ..... 84493

**DESCRIPTION**

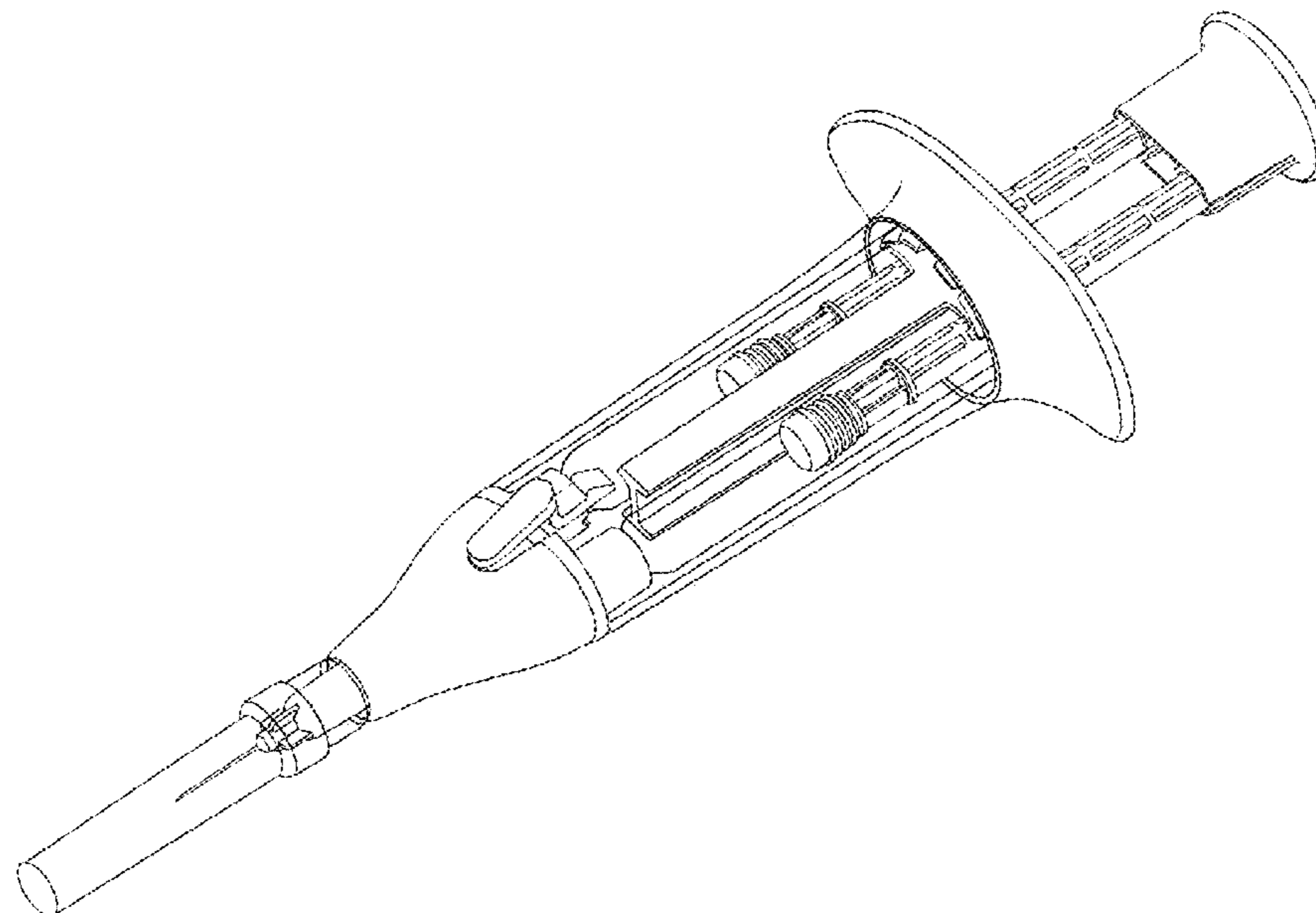
(51) **LOC (13) Cl.** ..... **24-02**

(52) **U.S. Cl.**  
USPC ..... **D24/113**

(58) **Field of Classification Search**  
USPC ..... D24/216, 222, 114, 112, 130, 113  
CPC .. A61M 5/3134; A61M 5/178; A61M 5/3129;  
A61M 5/3245; A61M 5/28; A61M  
5/31513; A61M 5/3293; A61M 5/34  
See application file for complete search history.

FIG. 1 is a side perspective view of a syringe showing our new design;  
FIG. 2 is a top plan view thereof;  
FIG. 3 is a bottom plan view thereof;  
FIG. 4 is a front elevation view thereof;  
FIG. 5 is a rear elevation view thereof;  
FIG. 6 is right side elevation view thereof; and,  
FIG. 7 is a left side elevation view thereof.

**1 Claim, 3 Drawing Sheets**



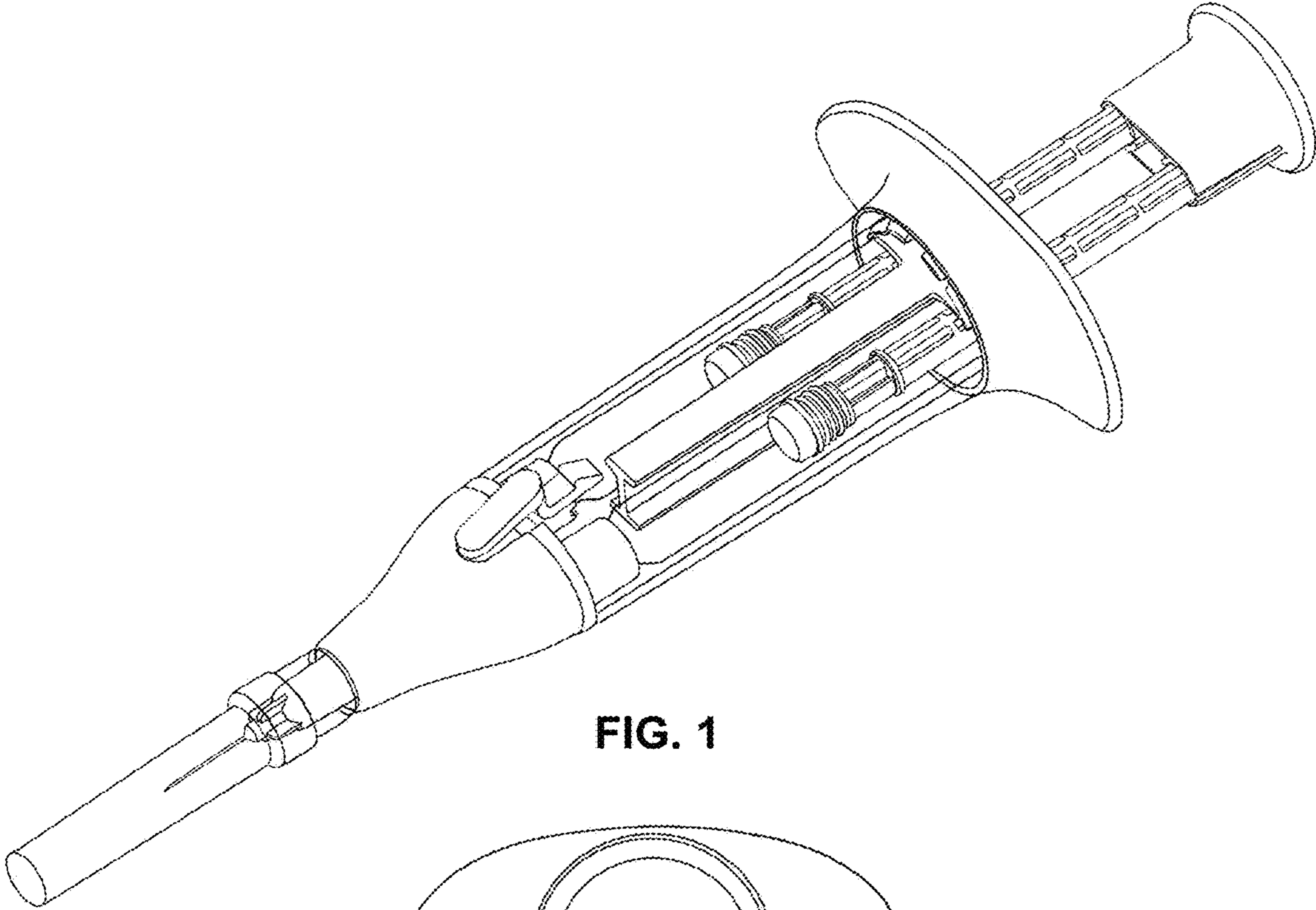


FIG. 1

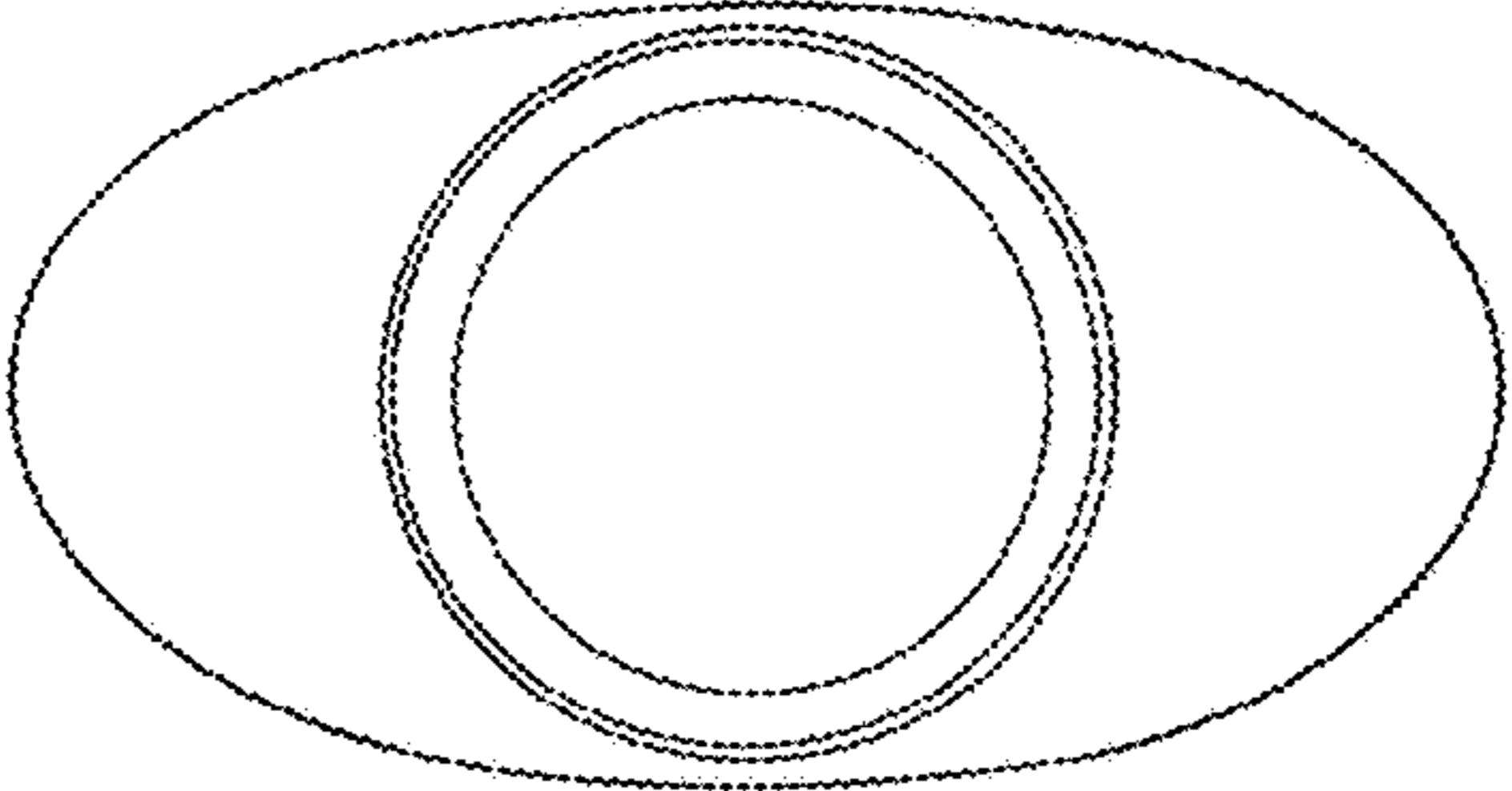


FIG. 2

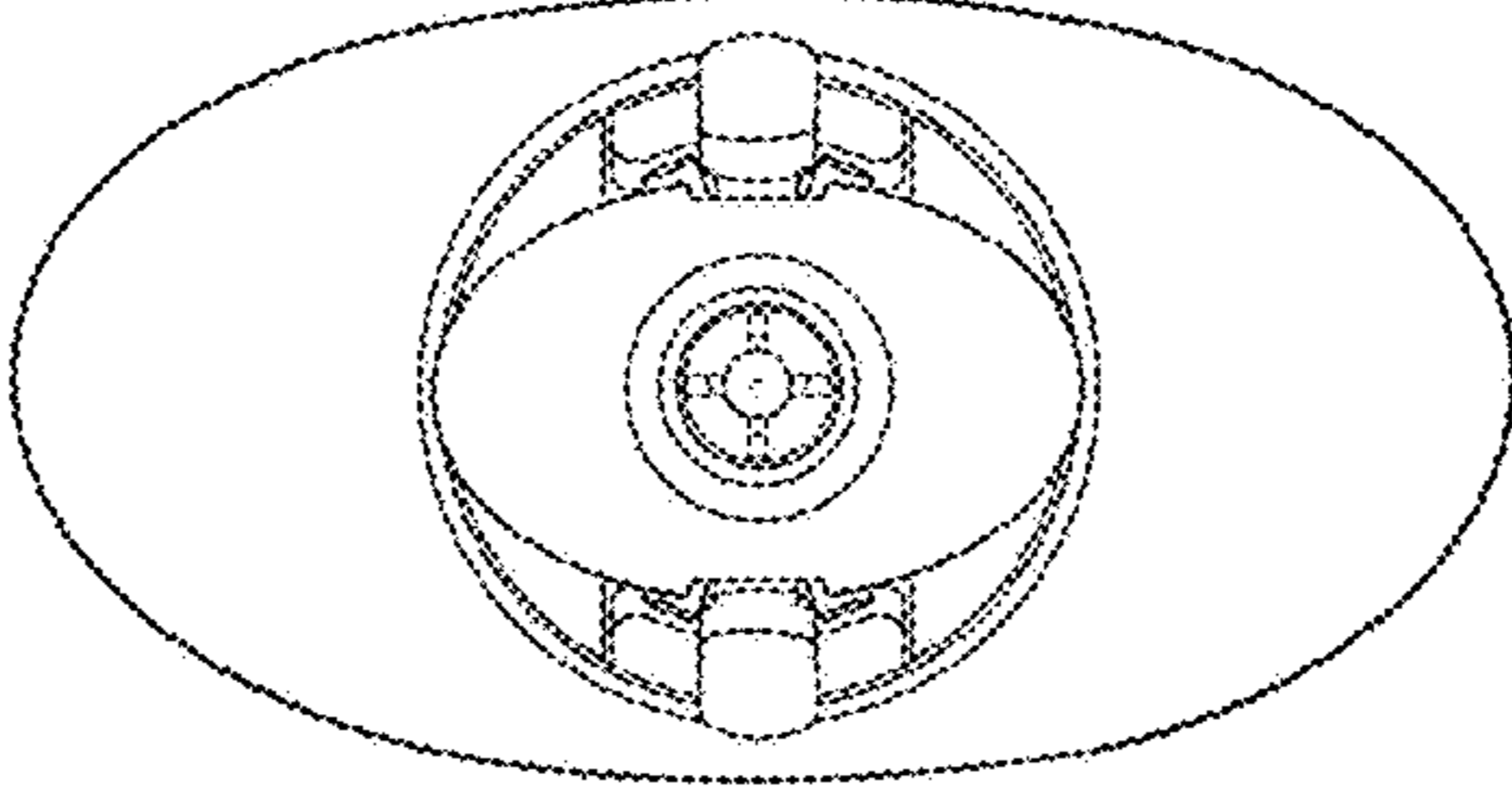


FIG. 3

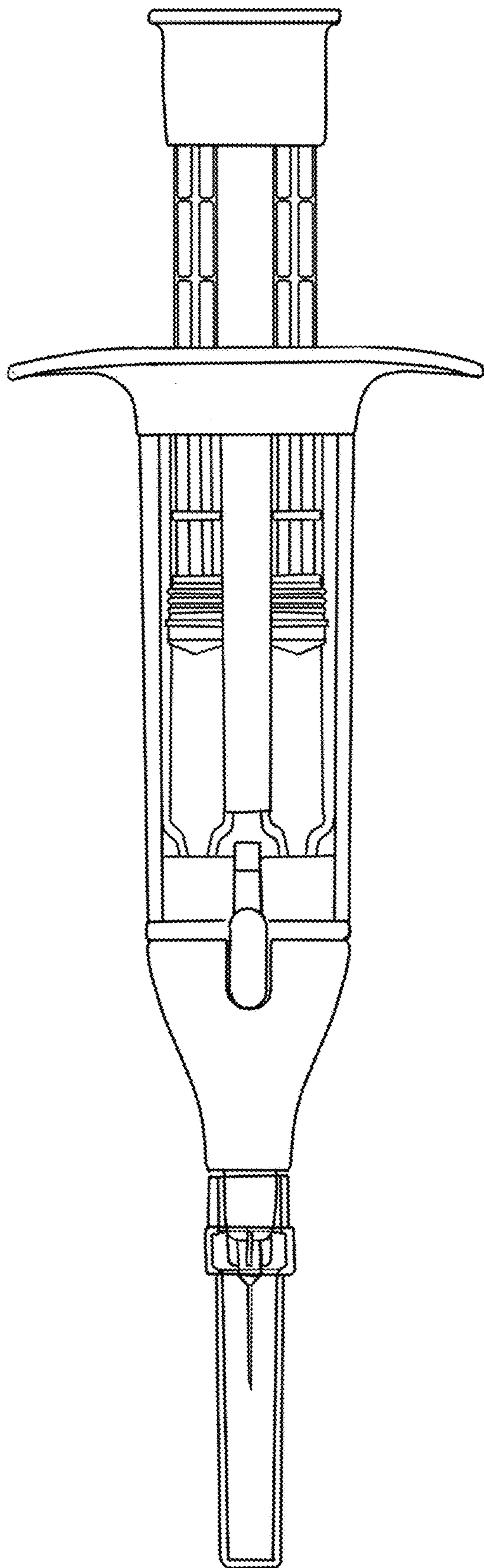


FIG. 4

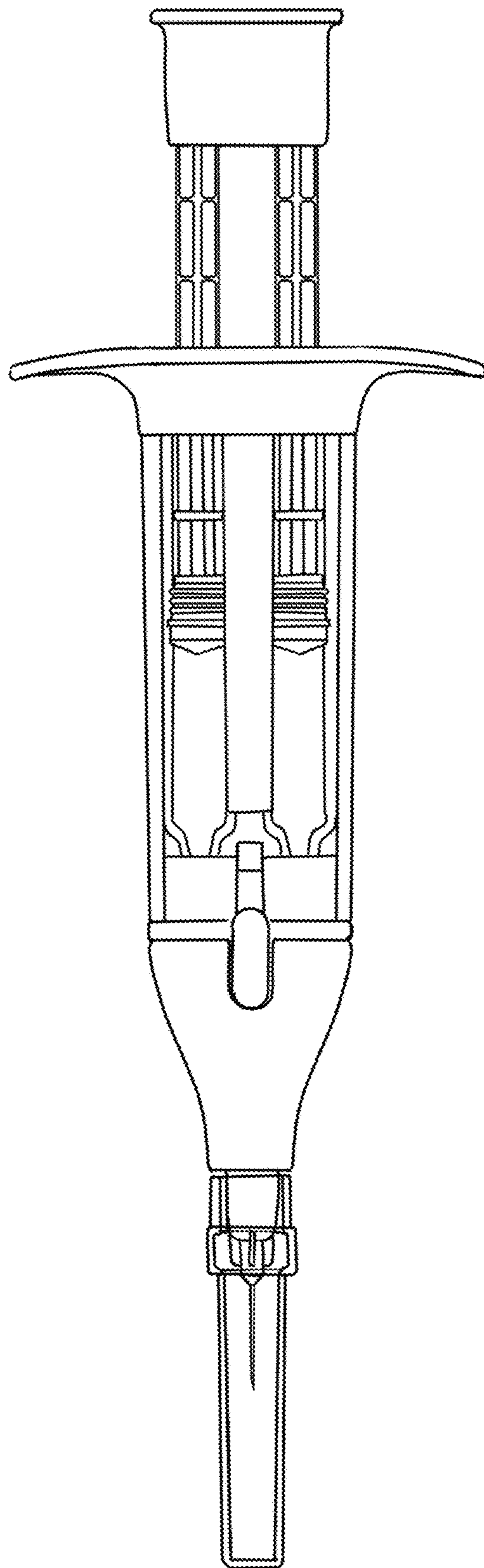


FIG. 5

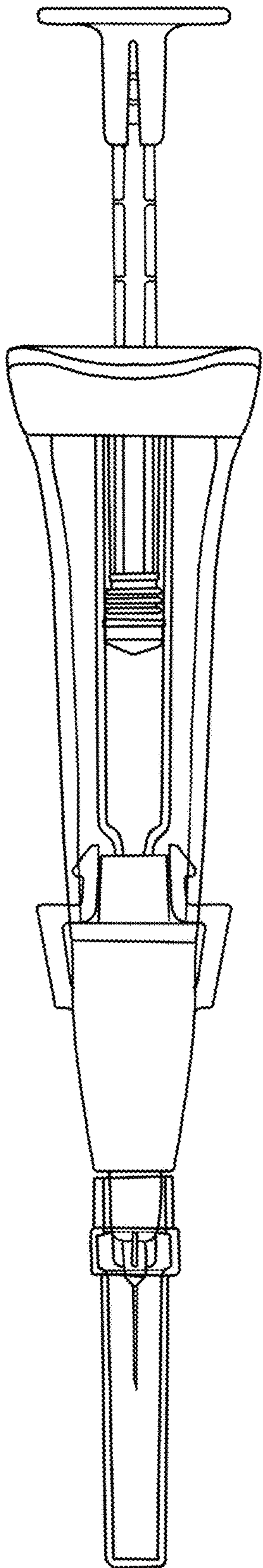


FIG. 6

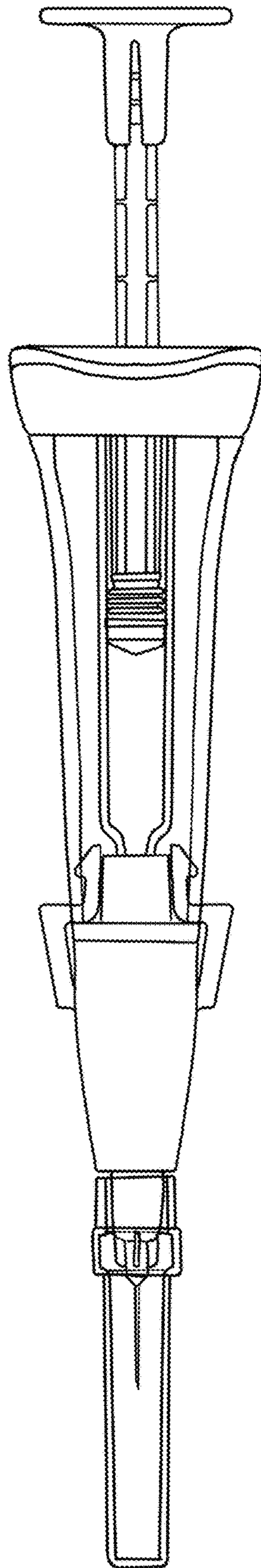


FIG. 7

UNITED STATES PATENT AND TRADEMARK OFFICE  
**CERTIFICATE OF CORRECTION**

PATENT NO. : D941,994 S  
APPLICATION NO. : 29/757122  
DATED : January 25, 2022  
INVENTOR(S) : Norihiko Inoue et al.

Page 1 of 1

It is certified that error appears in the above-identified patent and that said Letters Patent is hereby corrected as shown below:

On the Title Page

(62) should read:

Division of application No. 35/507,725, filed on Jun. 14, 2019 (U.S. filing date under 35 U.S.C. 384), and having an international filing date of Jun. 14, 2019, which claims priority to International Registration No. DM/201,620 corresponding to Application No. WIPO73829, filed on Dec. 20, 2018.

(30) Foreign Application Priority Data should read:

Dec. 20, 2018 (IB) ..... WIPO78329

Signed and Sealed this  
Seventh Day of February, 2023



Katherine Kelly Vidal  
*Director of the United States Patent and Trademark Office*

UNITED STATES PATENT AND TRADEMARK OFFICE  
**CERTIFICATE OF CORRECTION**

PATENT NO. : D941,994 S  
APPLICATION NO. : 29/757122  
DATED : January 25, 2022  
INVENTOR(S) : Norihiko Inoue et al.

Page 1 of 1

It is certified that error appears in the above-identified patent and that said Letters Patent is hereby corrected as shown below:

On the Title Page

(62) Should read:

Division of application No. 35/507,725, filed on Jun. 14, 2019 (U.S. filing date under 35 U.S.C. 384), and having an international filing date of Jun. 14, 2019, which claims priority to International Registration No. DM/201,620, corresponding to Application No. WIPO78329, filed on Dec. 20, 2018.

(30) Foreign Application Priority Data should read:

Dec. 20, 2018 (IB) ..... WIPO78329

This certificate supersedes the Certificate of Correction issued February 7, 2023.

Signed and Sealed this  
Sixteenth Day of July, 2024  
*Katherine Kelly Vidal*

Katherine Kelly Vidal  
*Director of the United States Patent and Trademark Office*