



US00D941992S

(12) **United States Design Patent** (10) **Patent No.:** **US D941,992 S**
Hu (45) **Date of Patent:** **** Jan. 25, 2022**

(54) **SNORKEL MASK**

(71) Applicant: **Dongguan RenTong Silicon Plastic Products Co., Ltd., Dongguan (CN)**

(72) Inventor: **Guoren Hu, Dongguan (CN)**

(**) Term: **15 Years**

(21) Appl. No.: **29/738,026**

(22) Filed: **Jun. 14, 2020**

(51) **LOC (13) Cl.** **29-02**

(52) **U.S. Cl.**
USPC **D24/110.2**

(58) **Field of Classification Search**
USPC D24/110.1, 110.2, 110.3; D29/108, 109,
D29/110; D16/101, 300-339
CPC B63C 11/12; B63C 11/16; A63B 33/002;
G02C 1/00
See application file for complete search history.

(56) **References Cited**

U.S. PATENT DOCUMENTS

1,986,089	A *	1/1935	Wingate	G02C 7/00 351/156
D134,976	S *	2/1943	Fishberger	D16/329
D177,581	S *	5/1956	Moeller	D16/312
D227,597	S *	7/1973	Shindler	D16/320
D240,077	S *	5/1976	Shindler	D16/325
D243,237	S *	2/1977	Teufelhart	D16/325
D246,656	S *	12/1977	Johnsen	D16/320
D290,465	S *	6/1987	Levoy	D16/320
D302,747	S *	8/1989	Hattori	D24/110.2
D312,085	S *	11/1990	Weber	D16/313
D324,589	S *	3/1992	Dagnino	D24/110.2
D325,106	S *	3/1992	Sugita	D24/110.2
D325,391	S *	4/1992	Cantor	D16/313
D334,999	S *	4/1993	Faulconer	D24/110.2
D342,810	S *	12/1993	Berenson	D16/312
D343,029	S *	1/1994	Berenson	B63C 11/12 D16/311
5,479,917	A *	1/1996	Hsieh	B63C 11/12 128/200.29

(Continued)

FOREIGN PATENT DOCUMENTS

CN	304364668	*	11/2017
JP	D1136252	*	3/2002
JP	D1613724	*	9/2018

OTHER PUBLICATIONS

[IST M50 Shadow Single Window Diving Snorkeling Mask], Amazon.com, Date First Available: Jun. 24, 2011 [online], Customer Review Oldest Date: N/A, site visited: [Nov. 5, 2021], URL: <https://www.amazon.com/dp/B0057S7PJY>. (Year: 2011).*

(Continued)

Primary Examiner — T Chase Nelson

Assistant Examiner — Amanda J Berlinski

(74) *Attorney, Agent, or Firm* — Prakash Nama; Global IP Services, PLLC

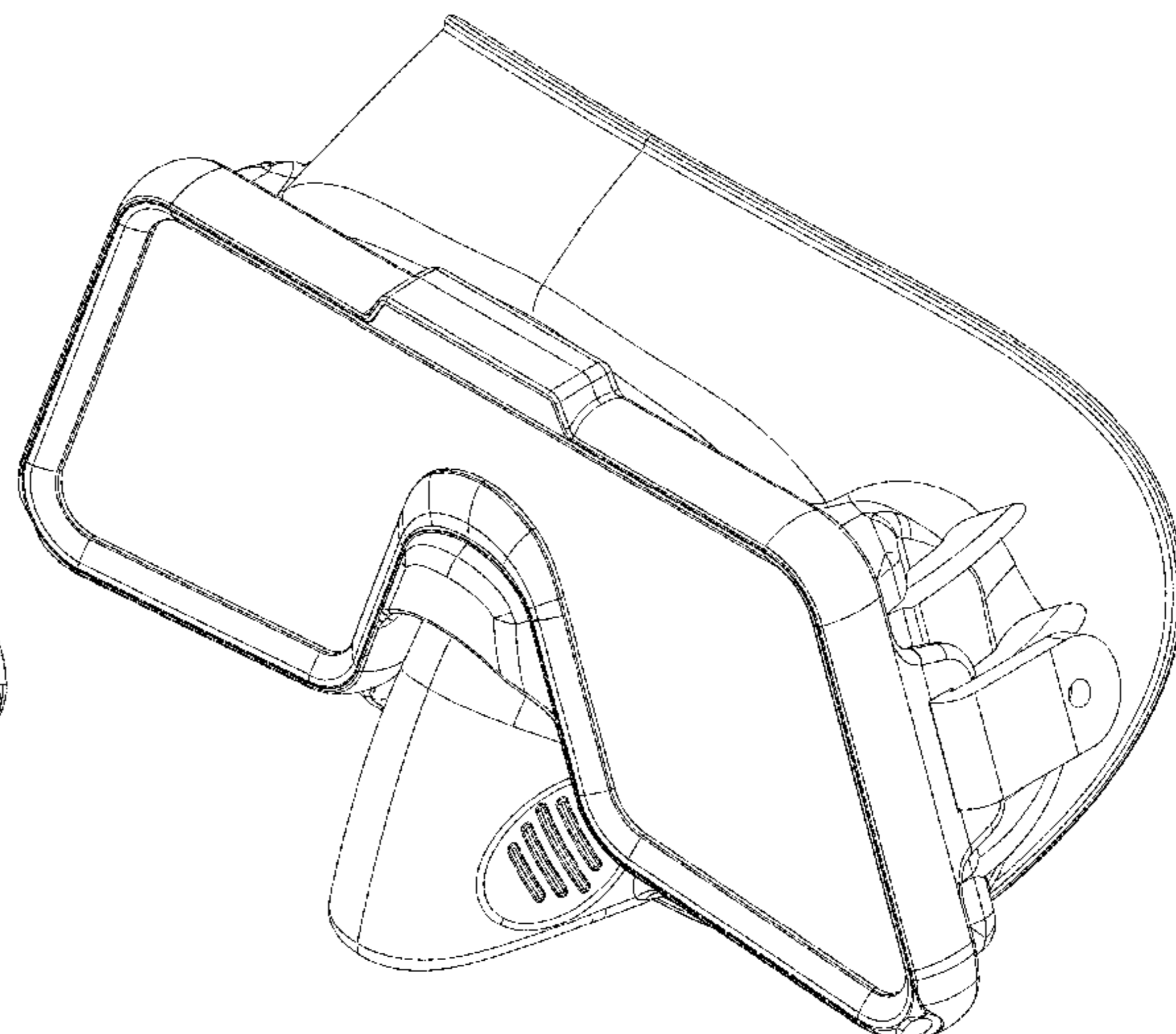
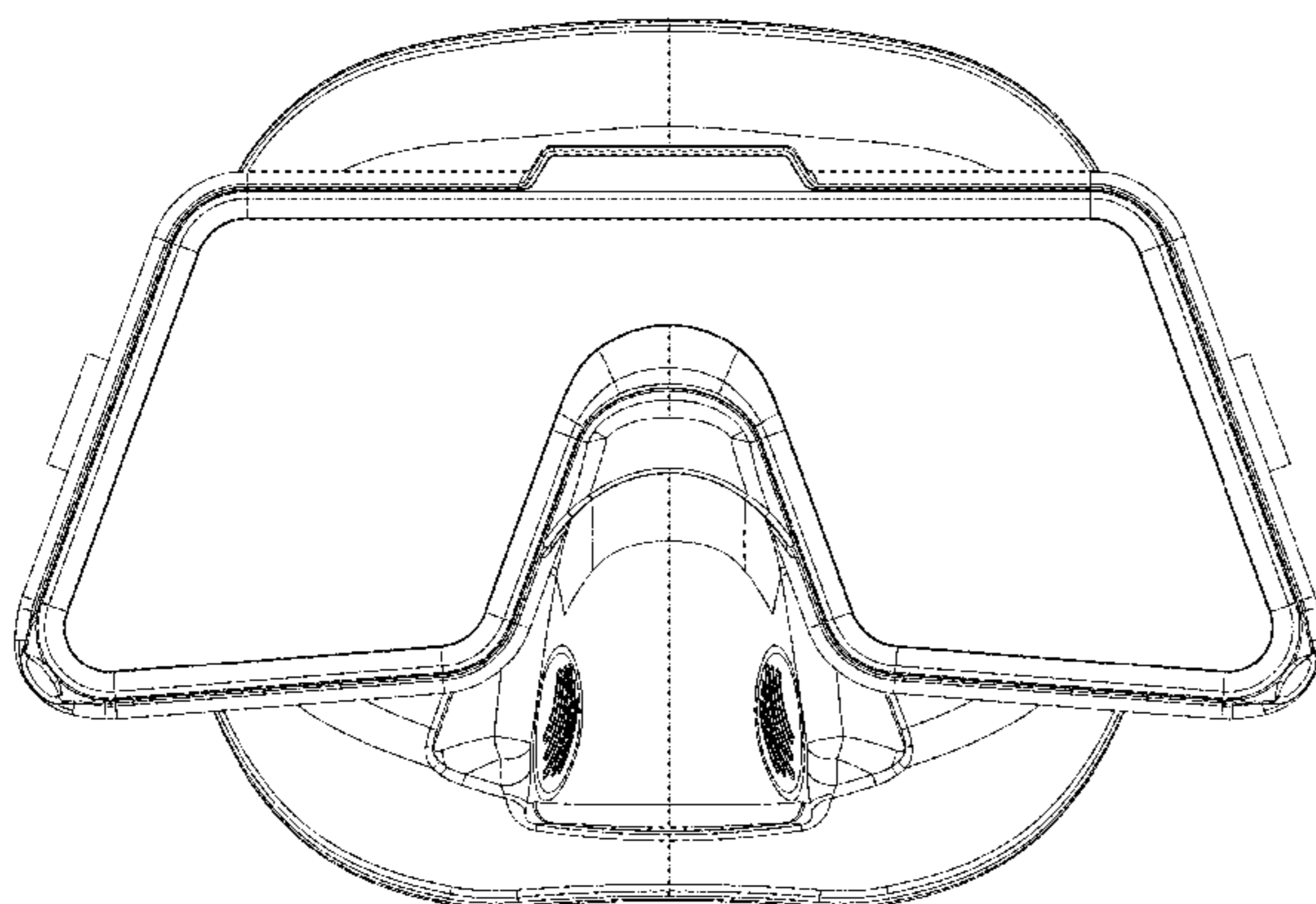
(57) **CLAIM**

The ornamental design for a snorkel mask, as shown.

DESCRIPTION

FIG. 1 is a front elevational view of a snorkel mask showing my new design;
FIG. 2 is a rear elevational view thereof;
FIG. 3 is a left side view thereof;
FIG. 4 is a right side view thereof;
FIG. 5 is a top plan view thereof;
FIG. 6 is a bottom plan view thereof;
FIG. 7 is a perspective view thereof;
FIG. 8 is a second perspective view thereof;
FIG. 9 is a third perspective view thereof;
FIG. 10 is a fourth perspective view thereof;
FIG. 11 is a fifth perspective view thereof; and,
FIG. 12 is a sixth perspective view thereof.

1 Claim, 12 Drawing Sheets



(56)

References Cited

U.S. PATENT DOCUMENTS

D368,107 S * 3/1996 Lutz D16/311
 D371,566 S * 7/1996 Kolada D16/311
 D371,841 S * 7/1996 Oliver 2/440
 5,572,989 A * 11/1996 Lutz B63C 11/12
 5,603,124 A * 2/1997 Garofalo B63C 11/12
 5,608,920 A * 3/1997 Oliver B63C 11/12
 D385,574 S * 10/1997 Fireman D16/311
 D391,284 S * 2/1998 Hermansen D16/312
 D393,478 S * 4/1998 Park D16/326
 D450,833 S * 11/2001 Olivieri D16/311
 6,532,603 B1 * 3/2003 Lan A63B 33/002
 D473,256 S * 4/2003 Feng D16/311
 D484,171 S * 12/2003 Urabe D16/312
 D548,268 S * 8/2007 Yee D16/320
 D596,659 S * 7/2009 Kucera B63C 11/12
 D625,350 S * 10/2010 Morgan D16/311
 D685,020 S * 6/2013 O'Doherty B63C 11/12
 D685,407 S * 7/2013 Lin D16/312
 D725,695 S * 3/2015 Garfias B63C 11/12

9,381,118 B1 * 7/2016 Connelly A61F 9/026
 D880,574 S * 4/2020 Liang D16/312
 2003/0056280 A1 * 3/2003 Semeia B63C 11/12
 2006/0117468 A1 * 6/2006 Lan B63C 11/12
 2006/0162056 A1 * 7/2006 Sato B63C 11/12
 2009/0288241 A1 * 11/2009 Fullerton A61F 9/027
 2016/0120701 A1 * 5/2016 Fujimoto B63C 11/12
 2018/0267335 A1 * 9/2018 Knibbe G02C 11/00
 2020/0354031 A1 * 11/2020 Song B63C 11/12
 2021/0170236 A1 * 6/2021 Hu A63B 33/002

OTHER PUBLICATIONS

[Tusa M-1003 Freedom Elite Scuba Diving Mask], Amazon.com, Date First Available: Jan. 28, 2015 [online], Customer Review Oldest Date: Aug. 26, 2015 [online], site visited: [Nov. 5, 2021], URL: <<https://www.amazon.com/dp/B00SVY5DMC>>. (Year: 2015).*
 [Cressi Frameless Adult Scuba Diving Mask: Wide Visibility, Silicone Skirt: SF1 : Quality Since 1946], Amazon.com, Date First Available: Jun. 13, 2020 [online], Customer Review Oldest Date: Nov. 23, 2020 [online], site visited: [Nov. 5, 2021], URL: <<https://www.amazon.com/dp/B082PF9VQ6/>>. (Year: 2020).*

* cited by examiner

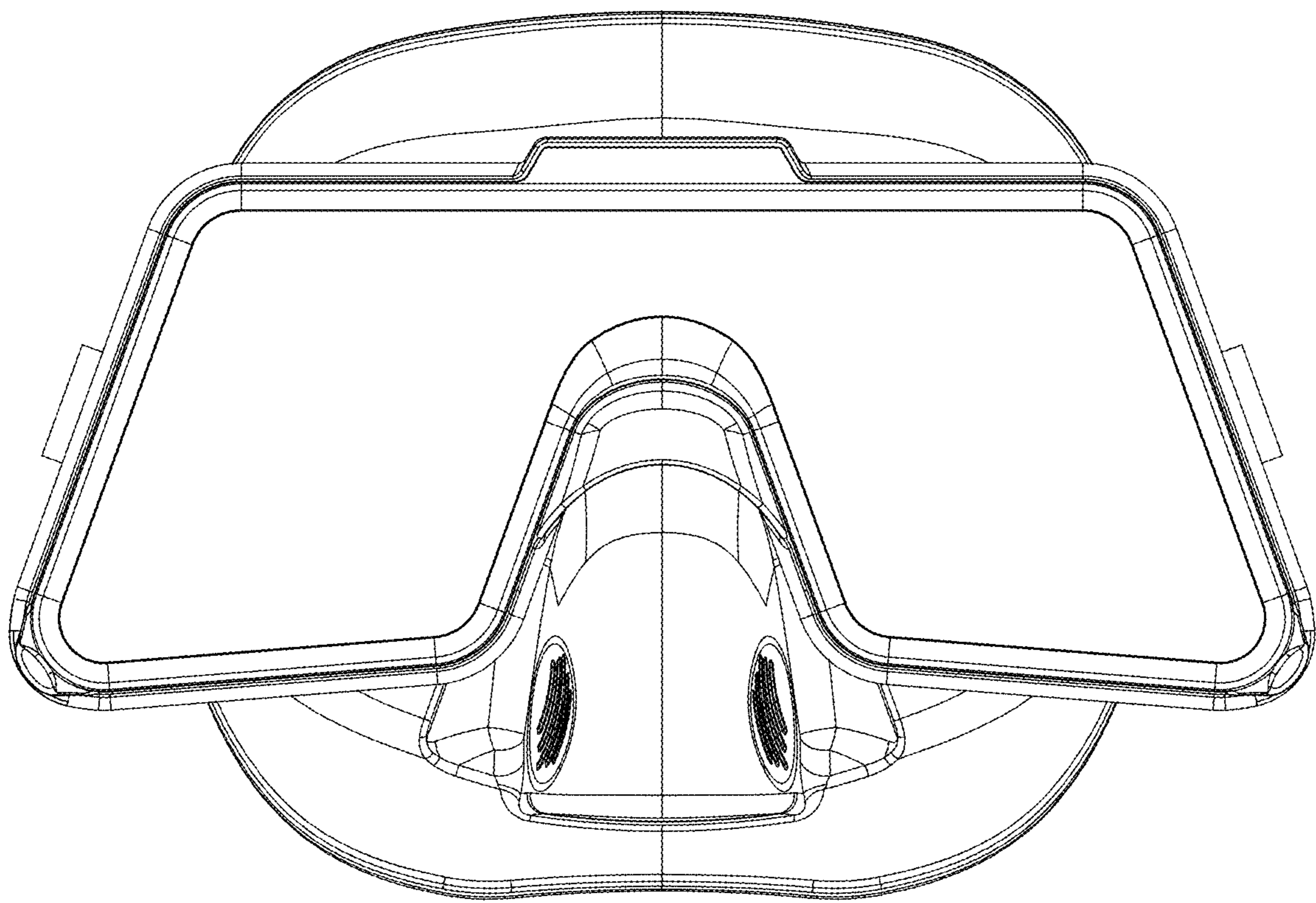


FIG. 1

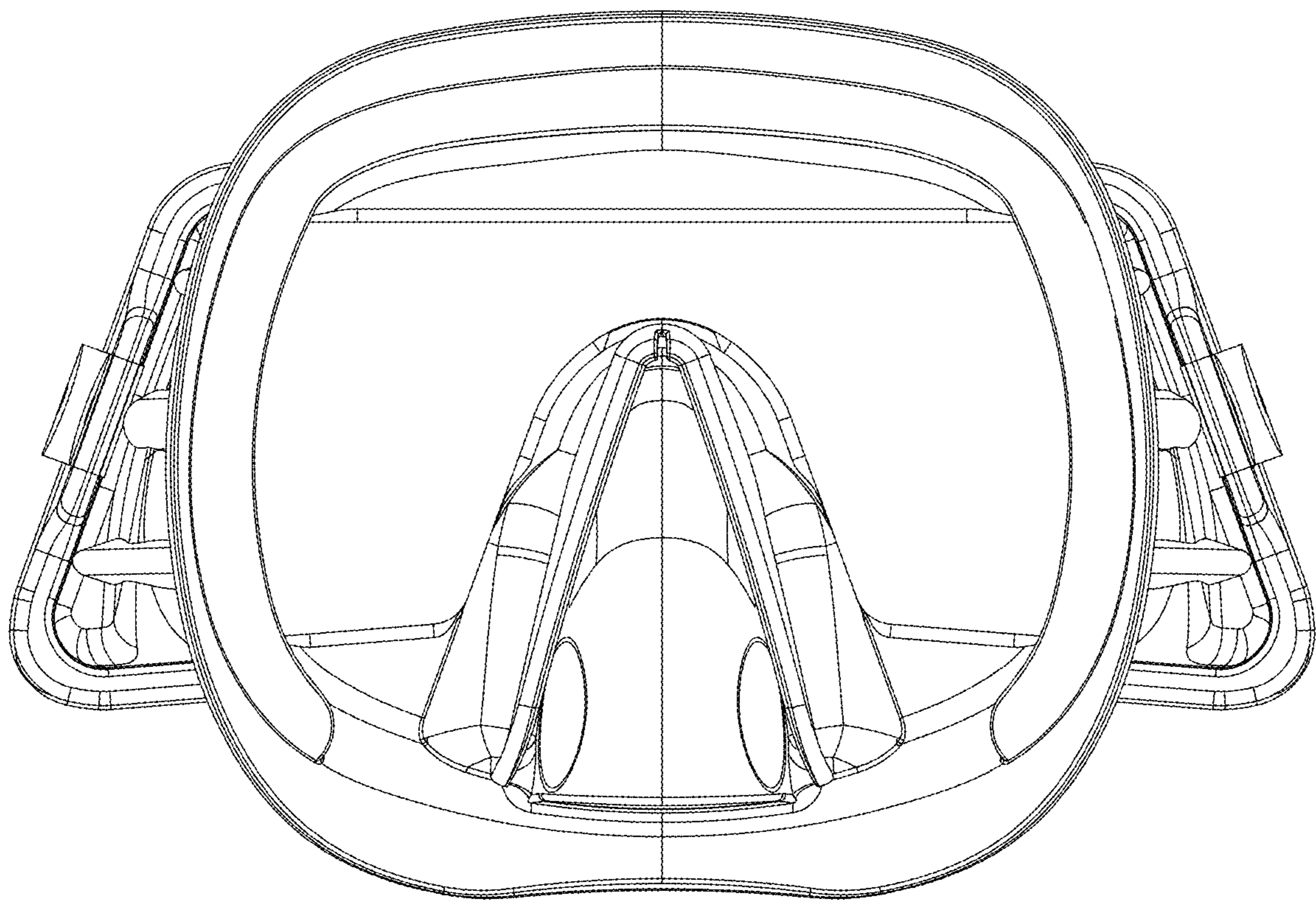


FIG. 2

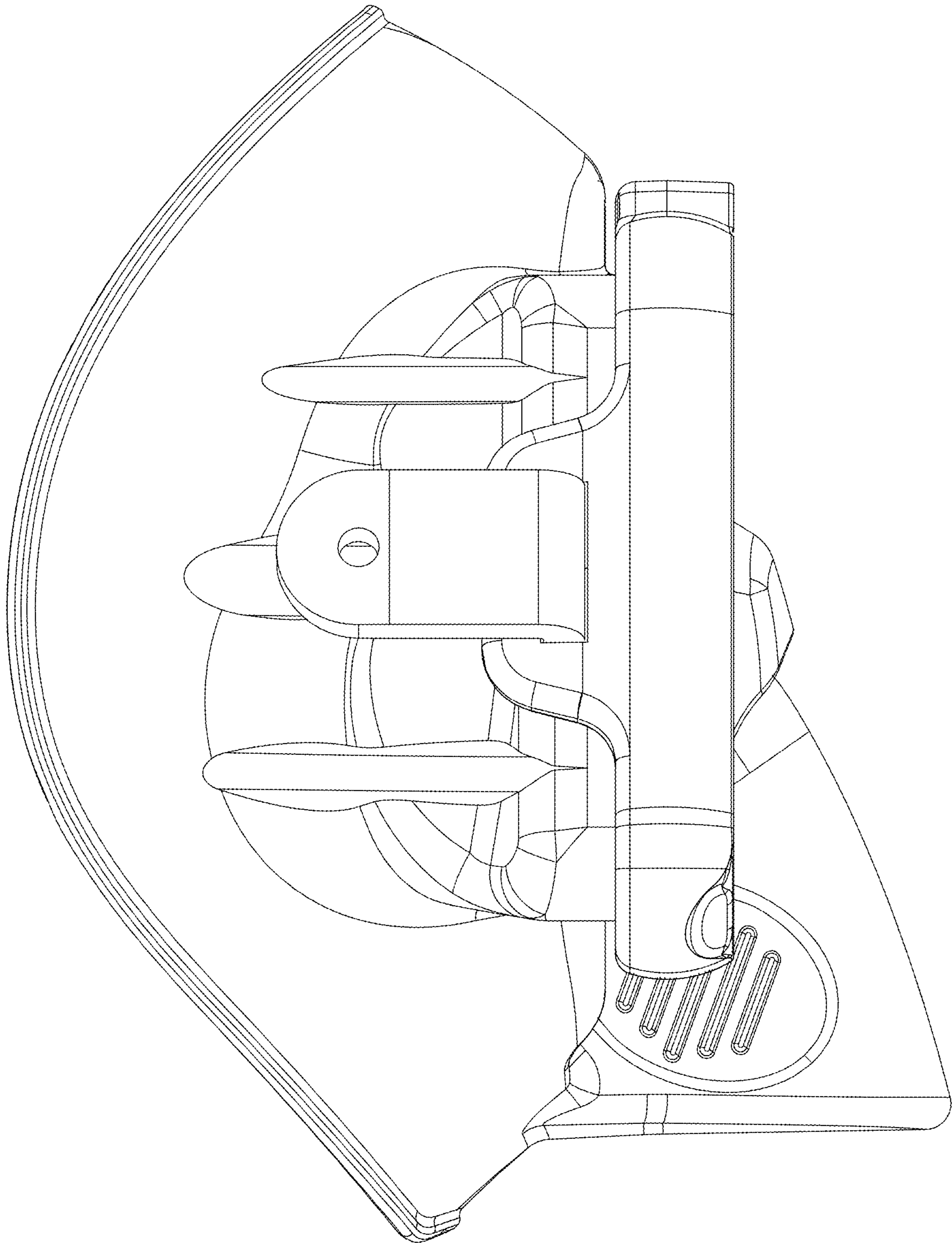


FIG. 3

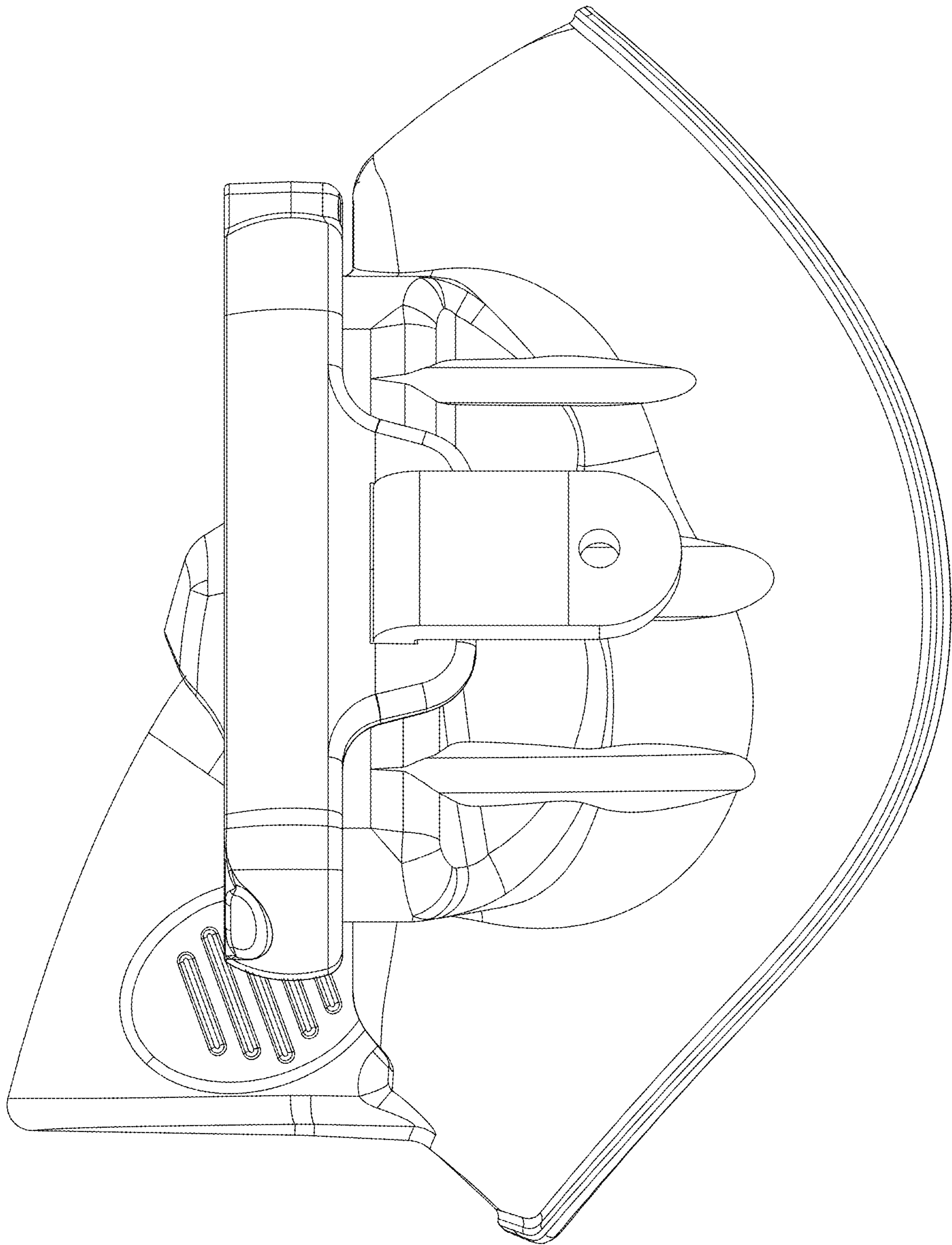


FIG. 4

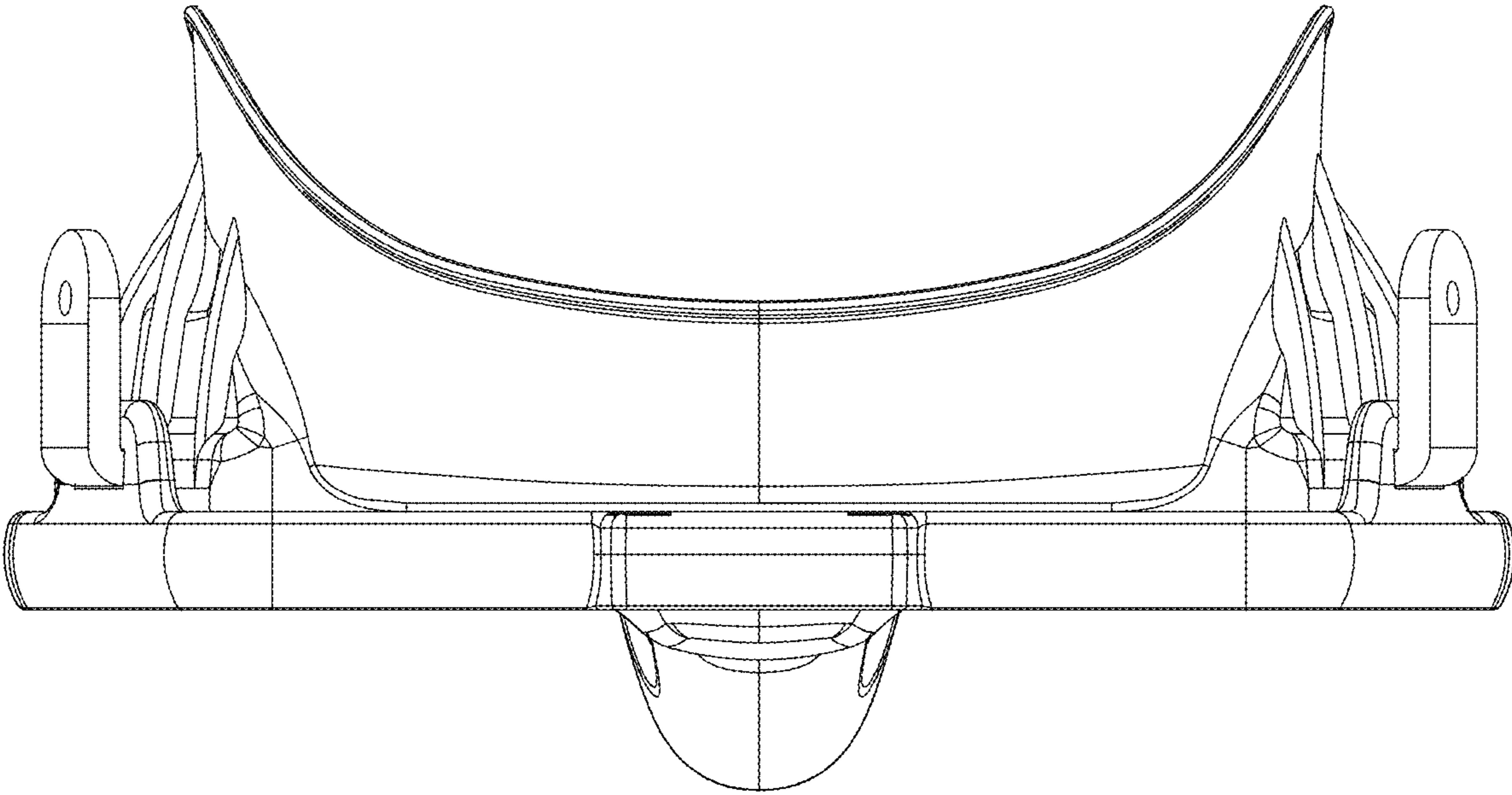


FIG. 5

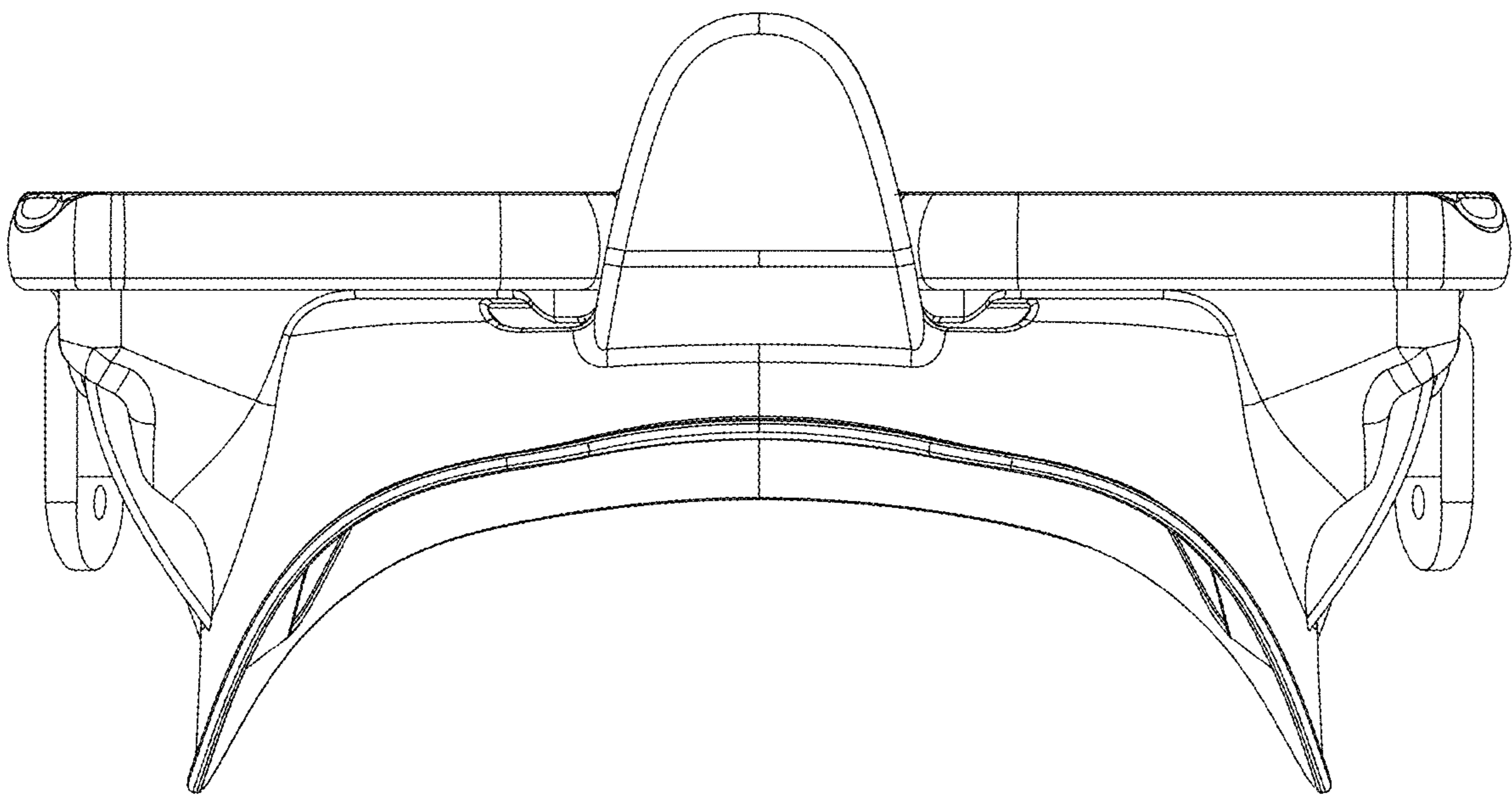


FIG. 6

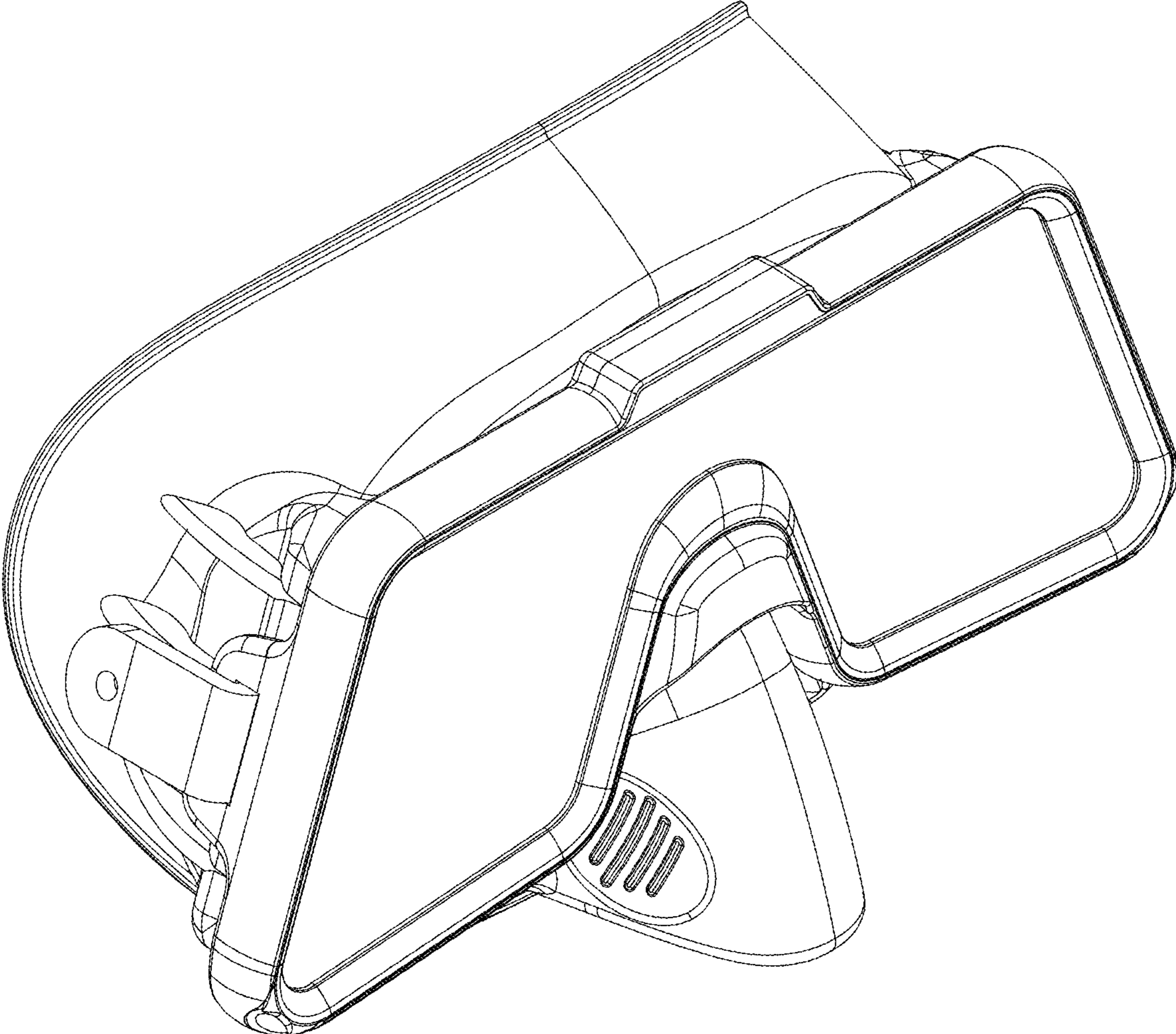


FIG. 7

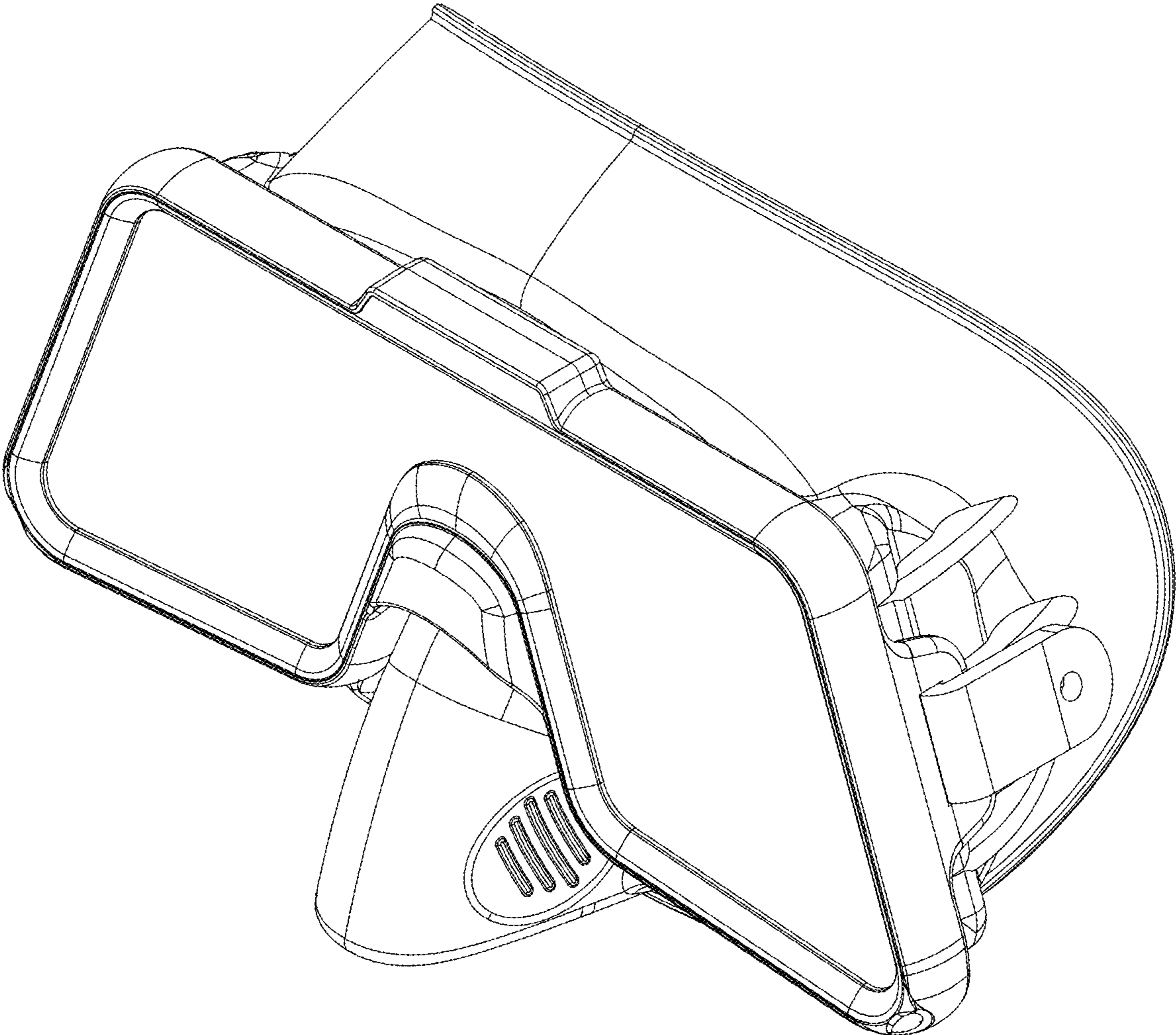


FIG. 8

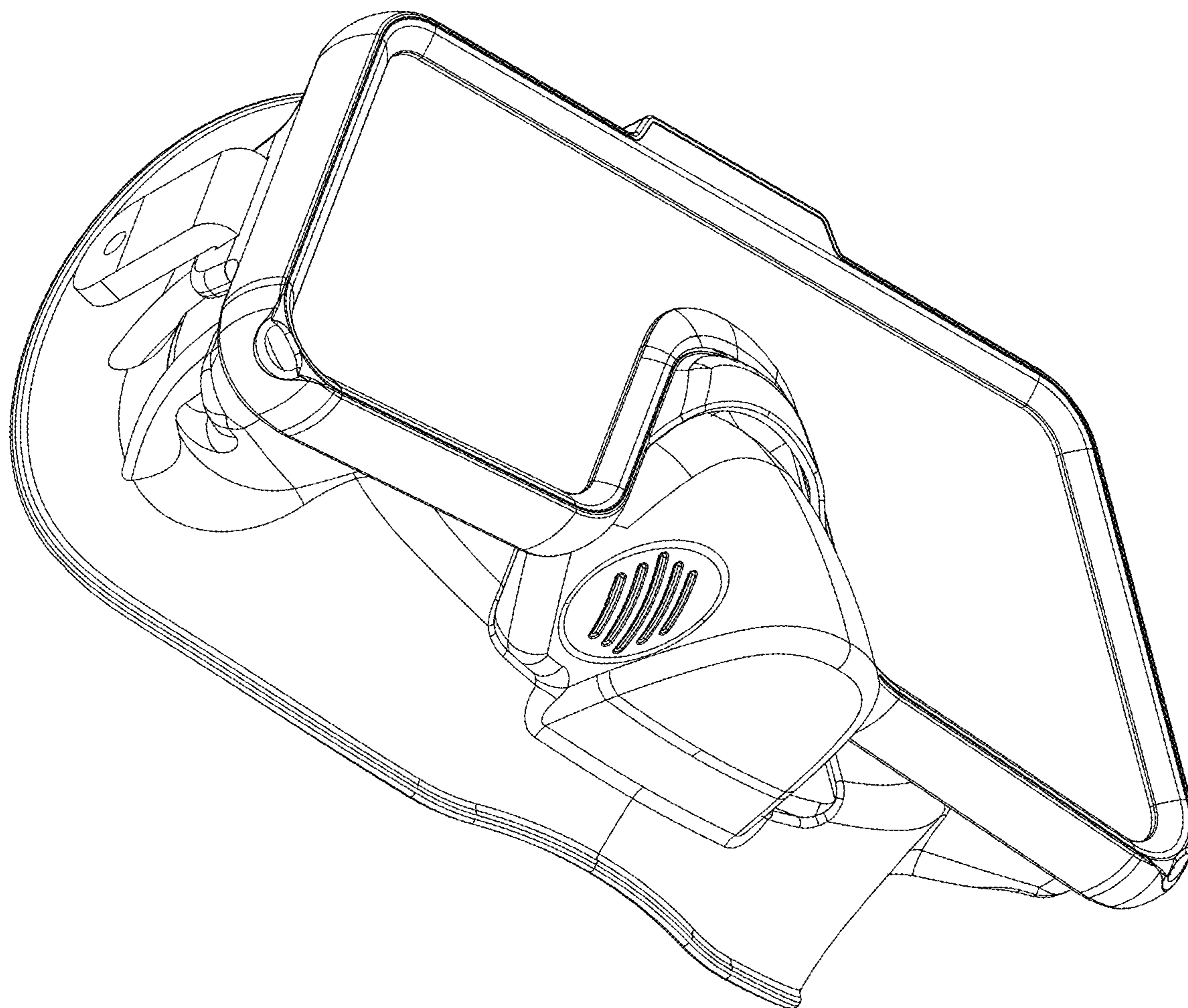


FIG. 9

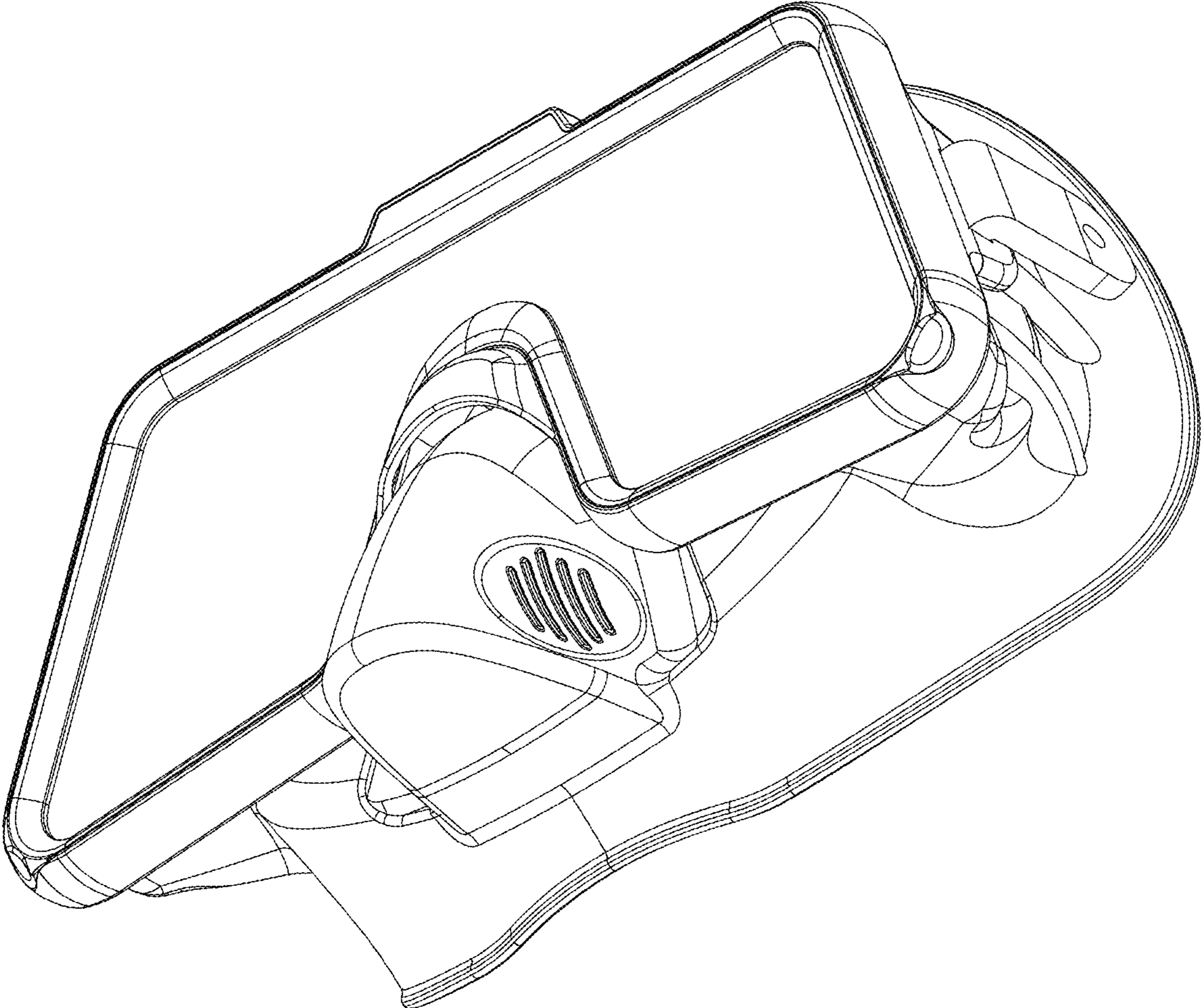


FIG. 10

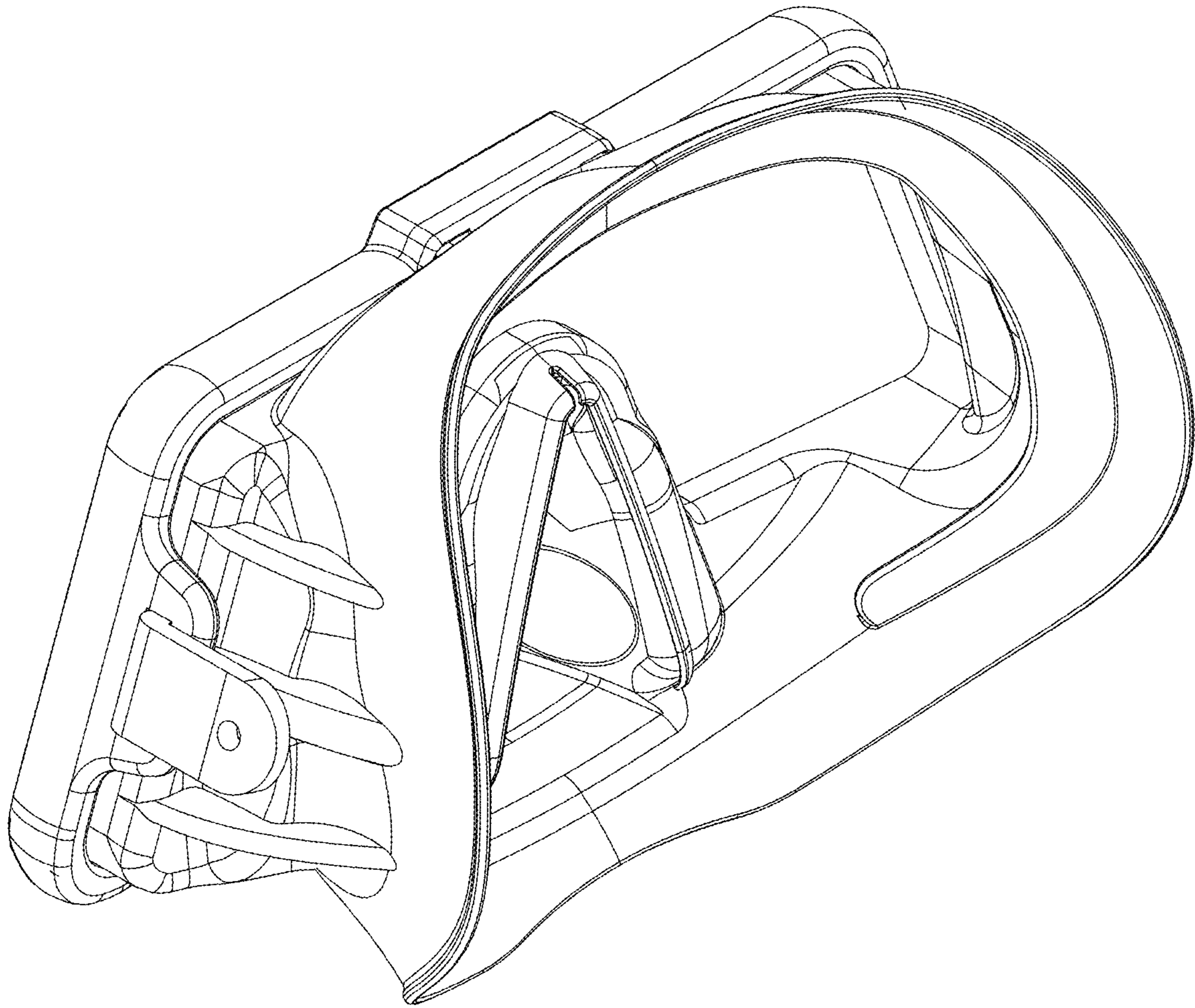


FIG. 11

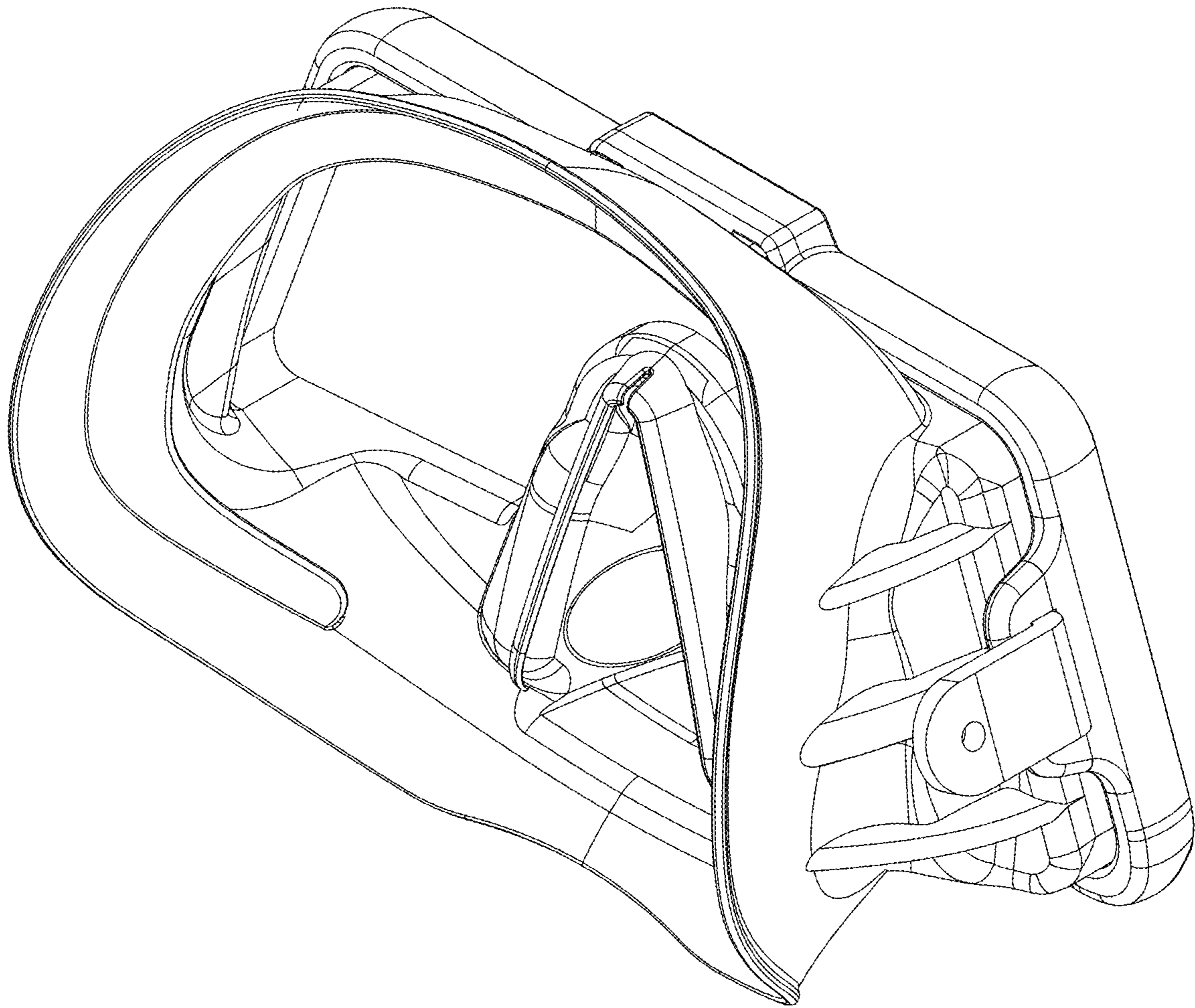


FIG. 12