



US00D941991S

(12) **United States Design Patent**
Torbenson

(10) **Patent No.:** **US D941,991 S**
(45) **Date of Patent:** **** Jan. 25, 2022**

(54) **MASK ASSEMBLY**

(74) *Attorney, Agent, or Firm* — Crawford Maunu PLLC

(71) Applicant: **Steve Gordon Torbenson**, Lakeville, MN (US)

(57) **CLAIM**

The ornamental design for a mask assembly, as shown and described.

(72) Inventor: **Steve Gordon Torbenson**, Lakeville, MN (US)

(73) Assignee: **Steve Gordon Torbenson**, Lakeville, MN (US)

DESCRIPTION

(**) Term: **15 Years**

(21) Appl. No.: **29/779,370**

(22) Filed: **Apr. 19, 2021**

Related U.S. Application Data

(62) Division of application No. 29/686,962, filed on Apr. 9, 2019, now Pat. No. Des. 919,081.

(51) **LOC (13) Cl.** **29-02**

(52) **U.S. Cl.**
USPC **D24/110.1**

(58) **Field of Classification Search**
USPC D24/107–108, 110.1–110.5, 127, 164;
D29/108, 122

(Continued)

(56) **References Cited**

U.S. PATENT DOCUMENTS

D340,317 S * 10/1993 Cole D24/110.1
D765,237 S * 8/2016 Danford D24/110.1

(Continued)

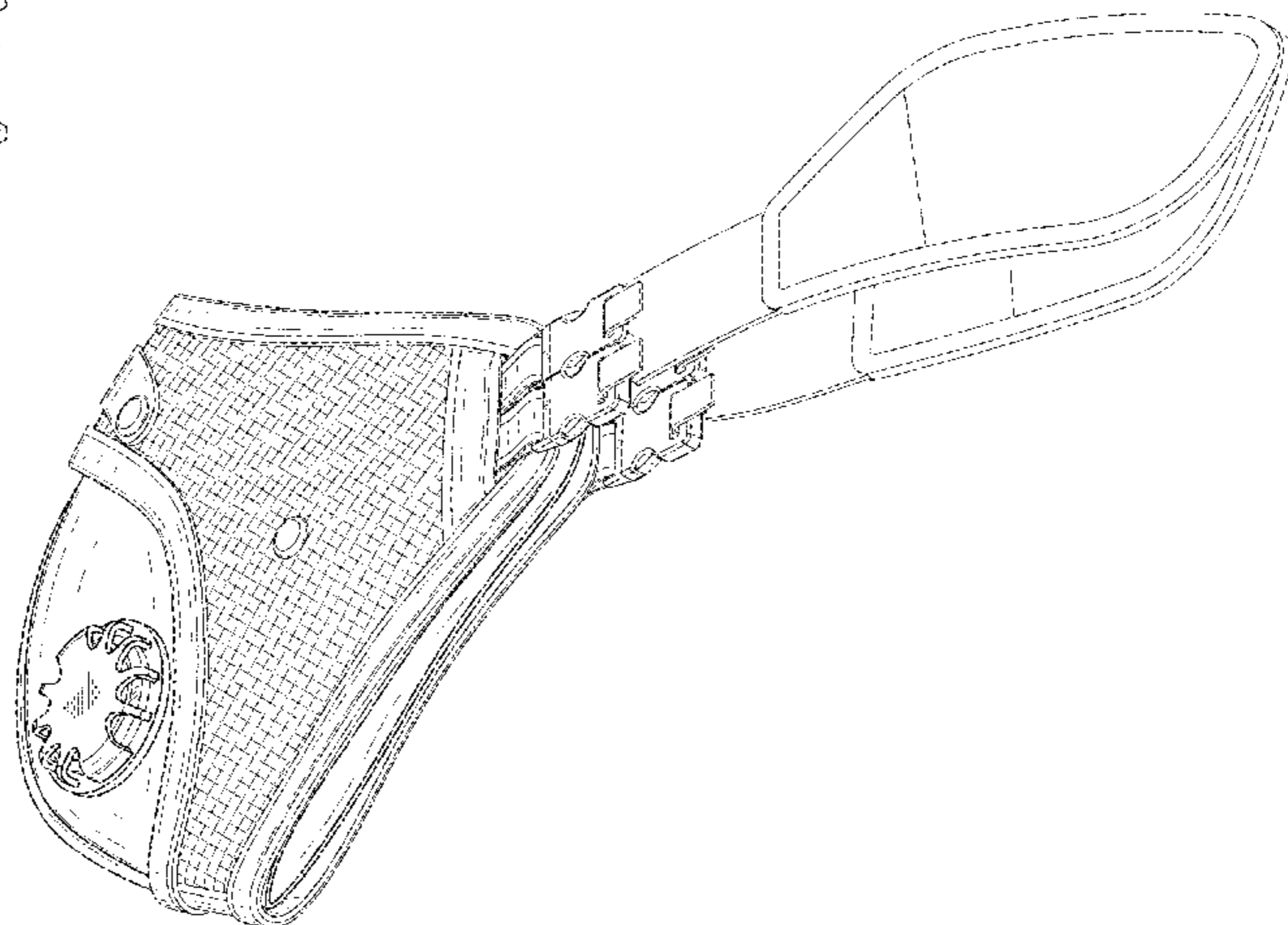
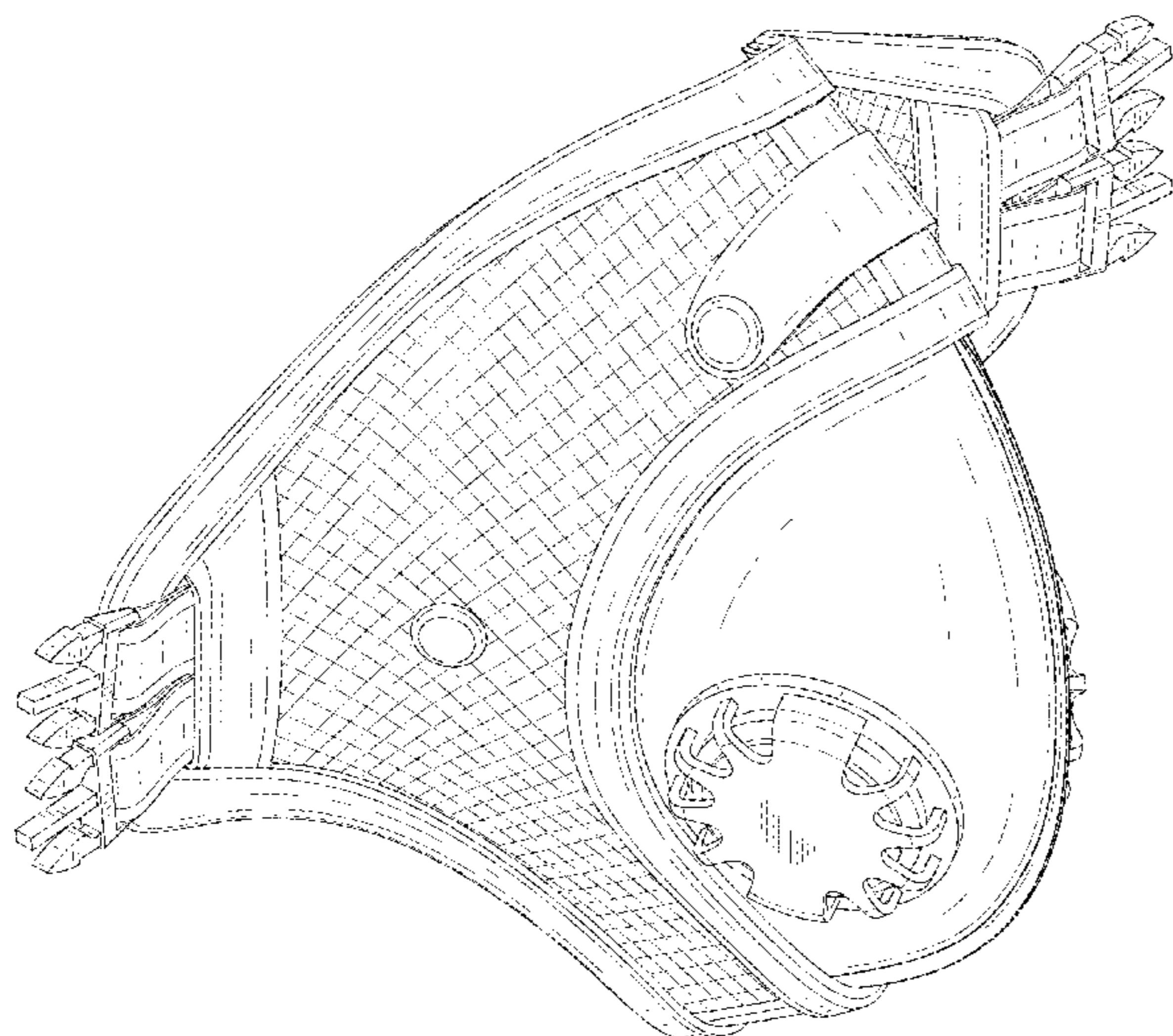
FOREIGN PATENT DOCUMENTS

GB 9006967634-0001 * 10/2019
GB 9006967634-0002 * 10/2019

(Continued)

Primary Examiner — Lilyana Bekic

1 Claim, 15 Drawing Sheets



(58) **Field of Classification Search**

CPC A62B 18/02; A62B 18/025; A62B 23/025;
 A62B 7/10; A62B 9/02; A63B 23/18;
 A63B 29/00

See application file for complete search history.

(56) **References Cited**

U.S. PATENT DOCUMENTS

9,579,540 B1 * 2/2017 Danford A63B 21/0004
 10,434,341 B1 * 10/2019 Torbenson A62B 18/00
 10,798,979 B2 * 10/2020 Hosmer A41D 13/1161
 D919,081 S * 5/2021 Torbenson D24/110.1
 2002/0162556 A1 * 11/2002 Smith A61B 5/6803
 128/207.12
 2003/0154984 A1 * 8/2003 Fernandes A62B 23/025
 D24/110.1
 2010/0018533 A1 * 1/2010 Biedermann D06M 16/00
 128/206.19
 2010/0101584 A1 * 4/2010 Bledstein A62B 18/10
 128/863

2012/0247474 A1 * 10/2012 Torbenson A62B 18/086
 128/206.15
 2013/0319420 A1 * 12/2013 Danford A63B 21/0004
 128/206.21
 2015/0053206 A1 * 2/2015 Seppala A62B 18/025
 128/202.27
 2016/0129287 A1 * 5/2016 Danford A62B 23/025
 128/863
 2017/0172137 A1 * 6/2017 Wynalda, Jr. A62B 9/02
 2018/0264294 A1 * 9/2018 Hancock A41D 13/1138
 2018/0280758 A1 * 10/2018 Tao A63B 21/00058
 2019/0166929 A1 * 6/2019 Bergman A62B 18/10
 2020/0114179 A1 * 4/2020 Torbenson A62B 18/025
 2020/0298032 A1 * 9/2020 Torbenson A41D 13/1107

FOREIGN PATENT DOCUMENTS

GB 9006967634-0003 * 10/2019
 GB 9006967634-0004 * 10/2019
 GB 9006967634-0005 * 10/2019
 GB 9006967634-0006 * 10/2019
 GB 9006967634-0007 * 10/2019

* cited by examiner

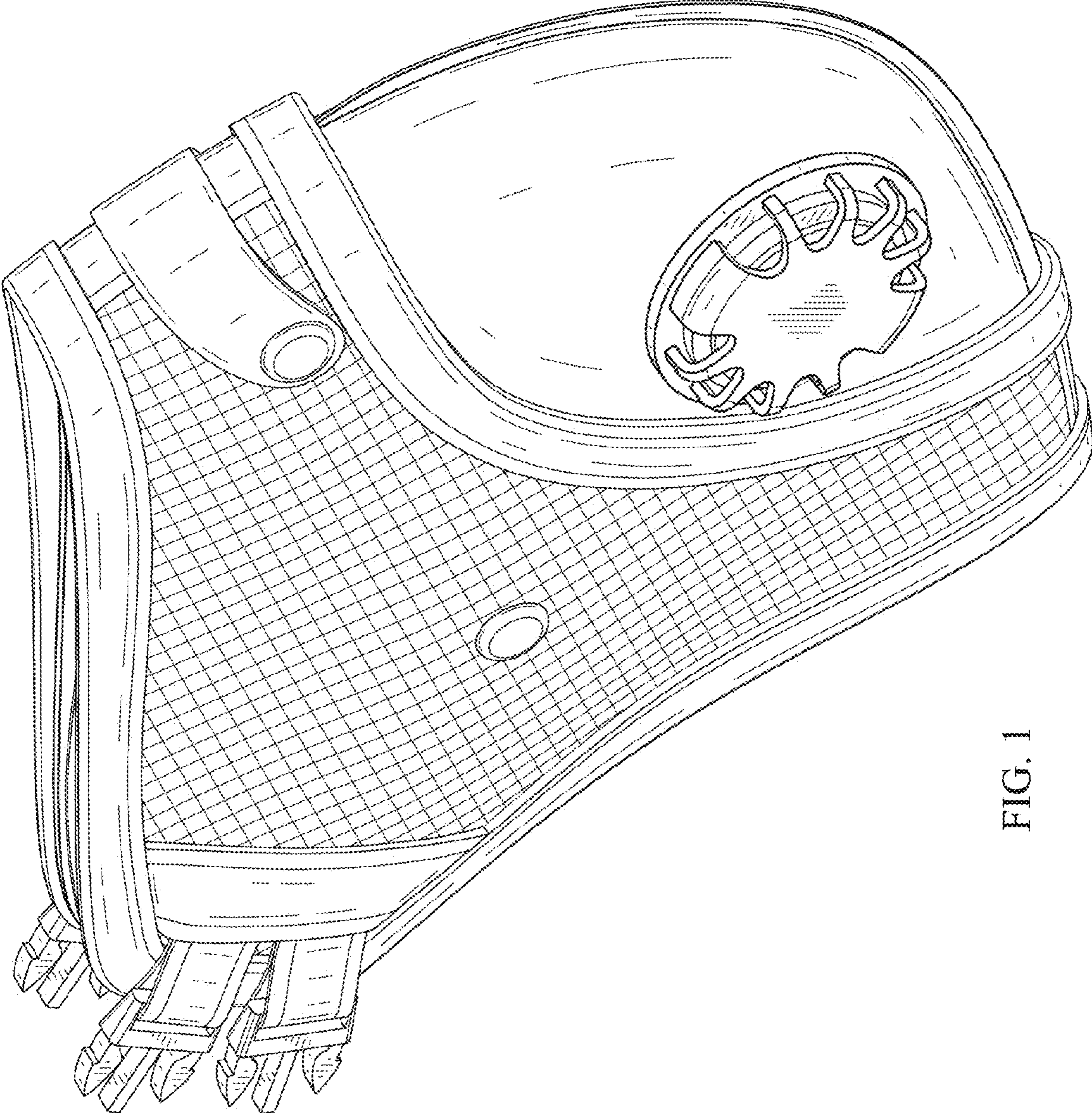


FIG. 1

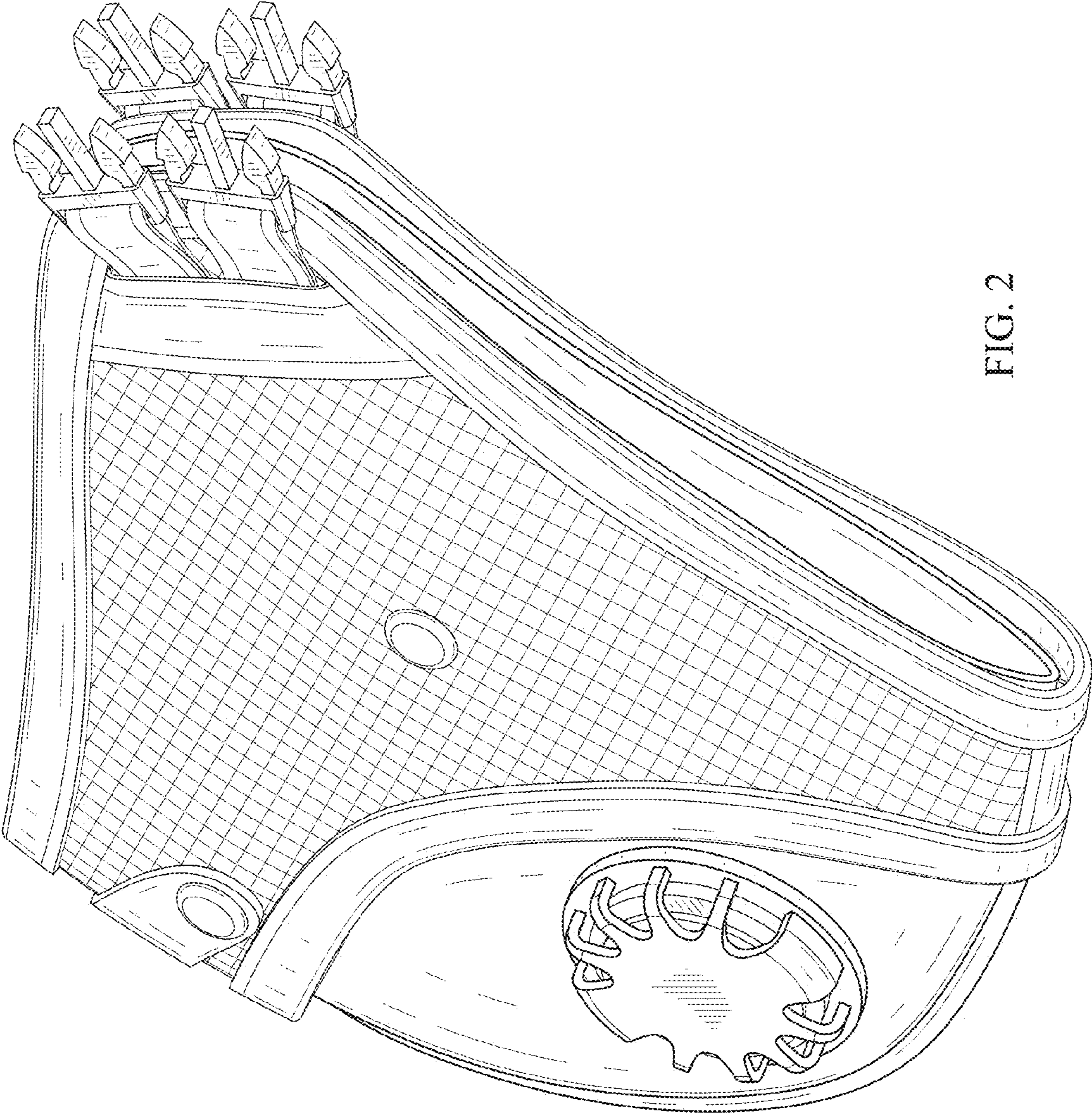


FIG. 2

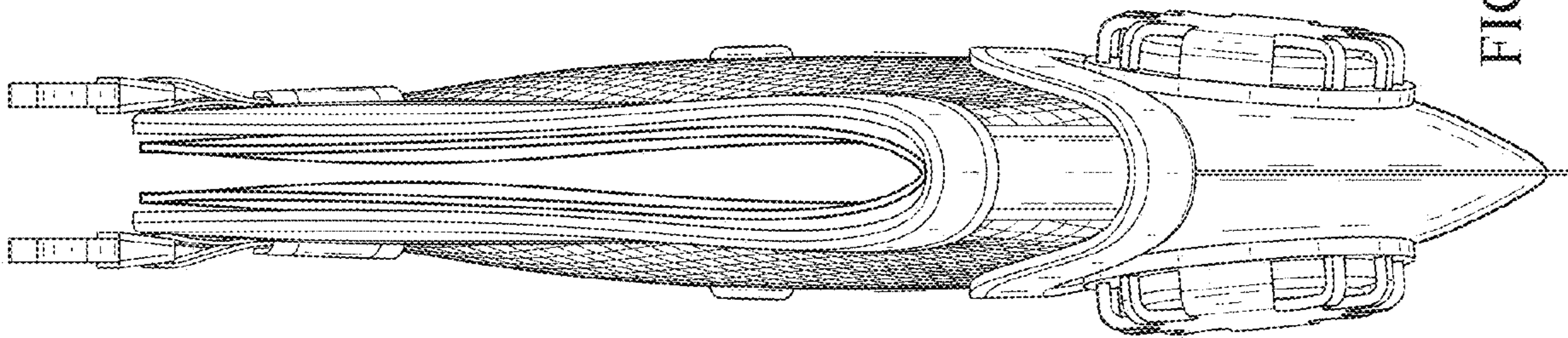


FIG. 4

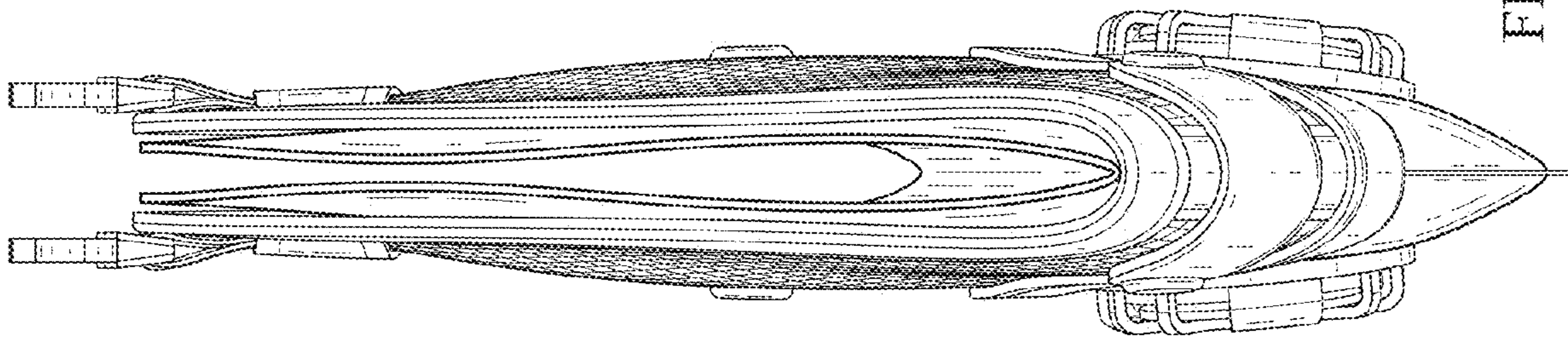


FIG. 3

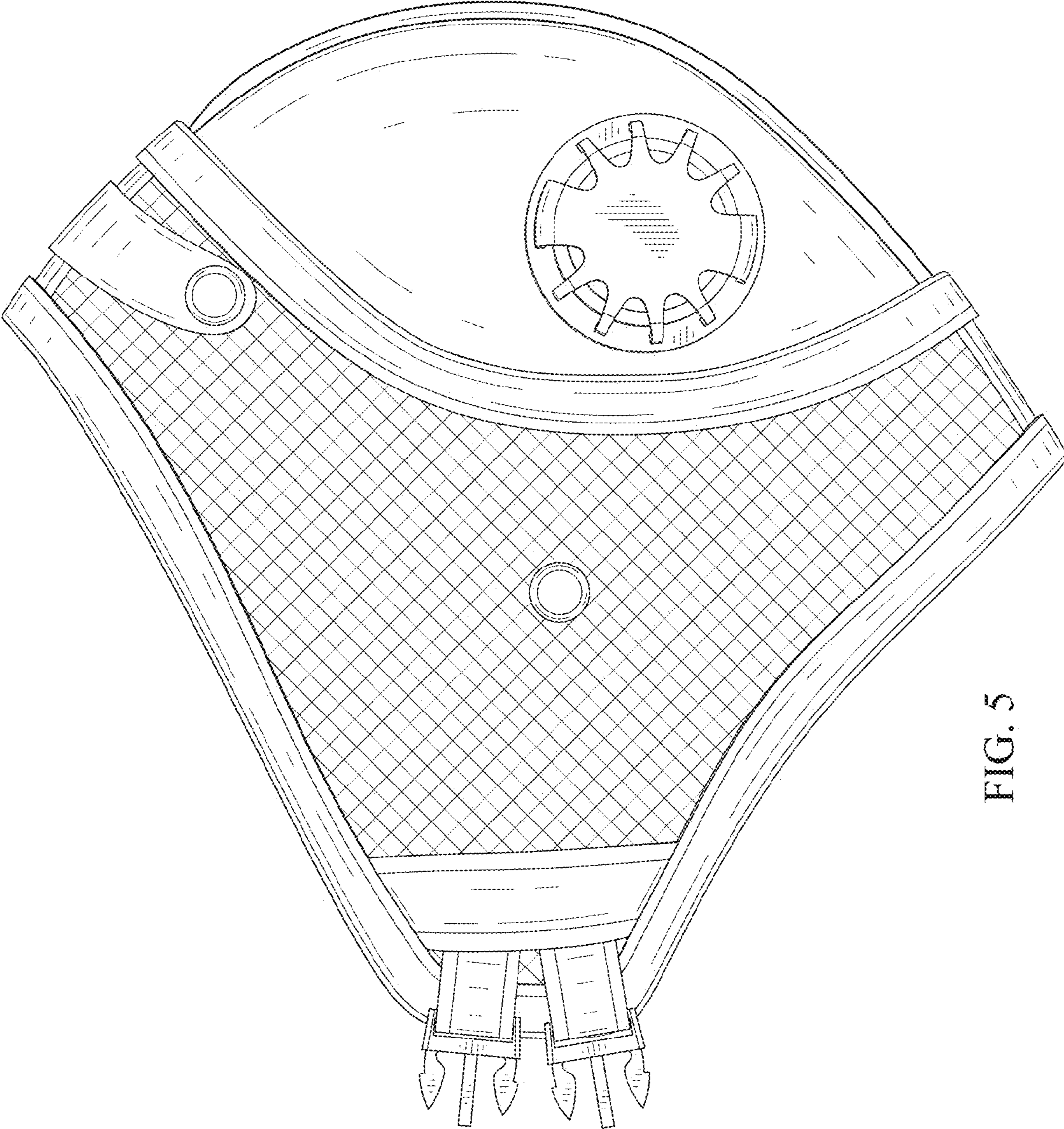


FIG. 5

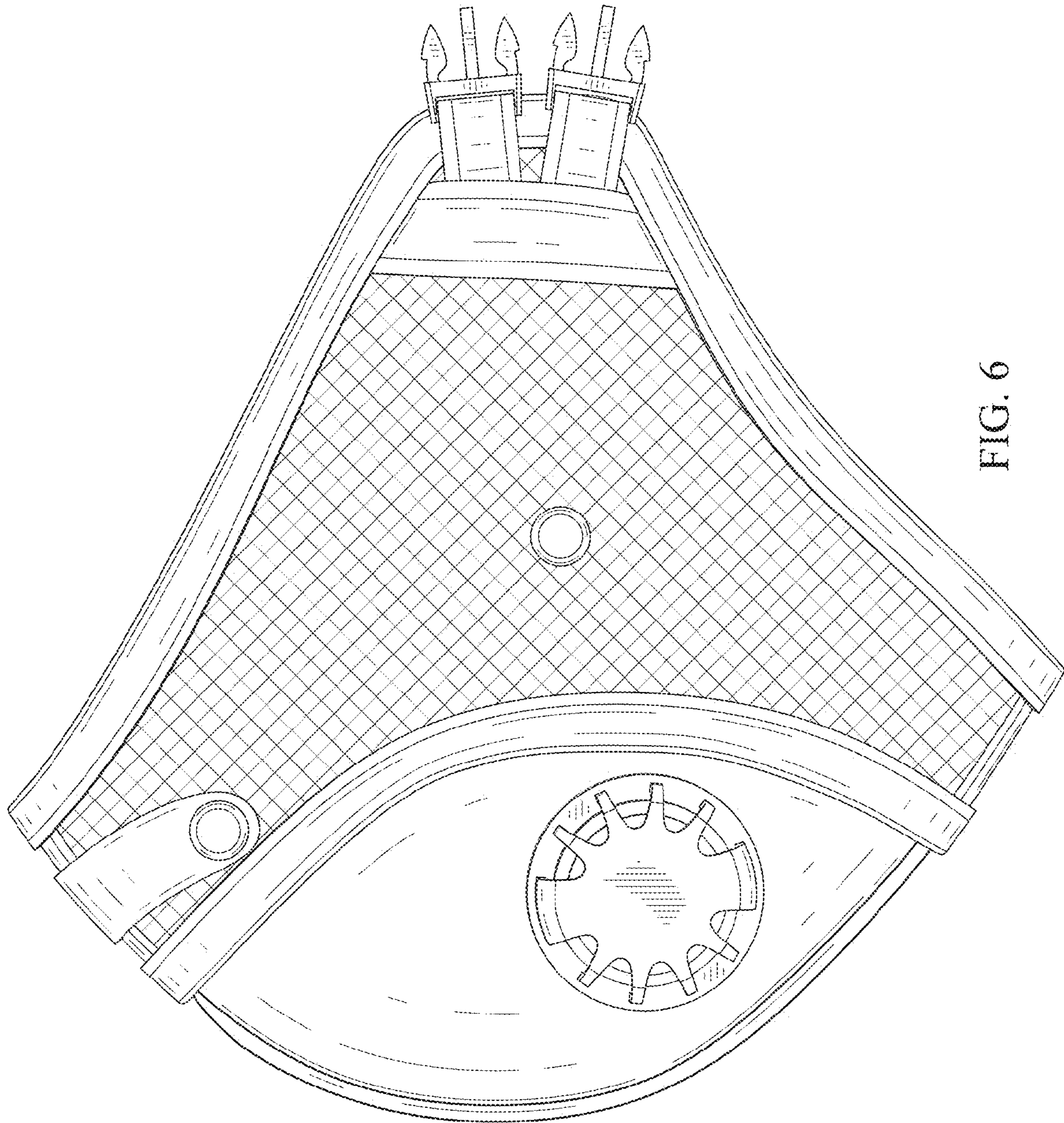


FIG. 6

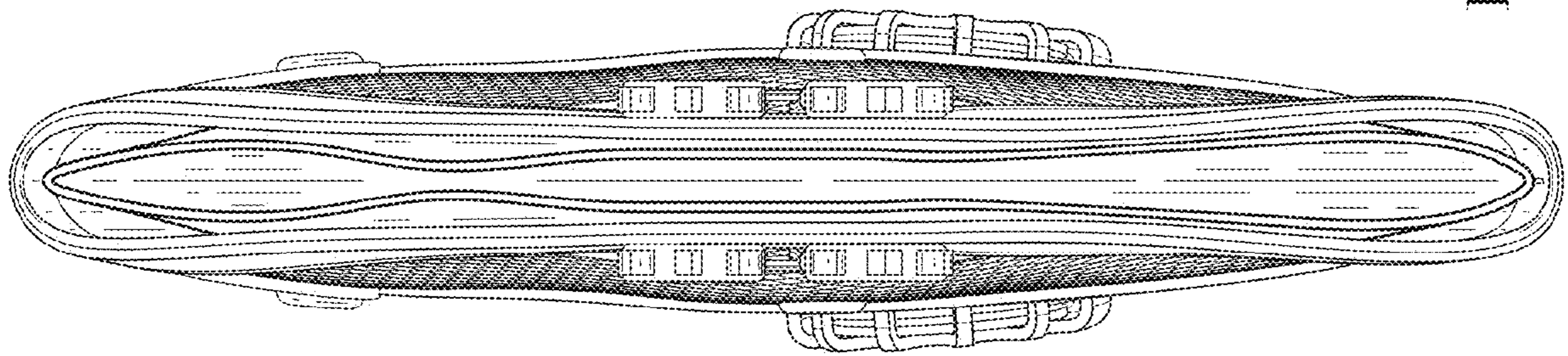


FIG. 8

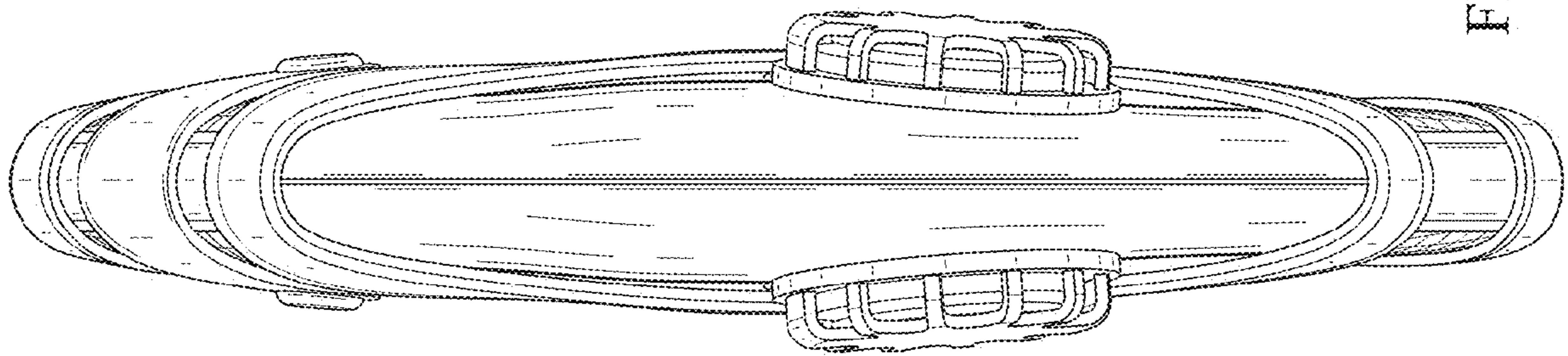


FIG. 7

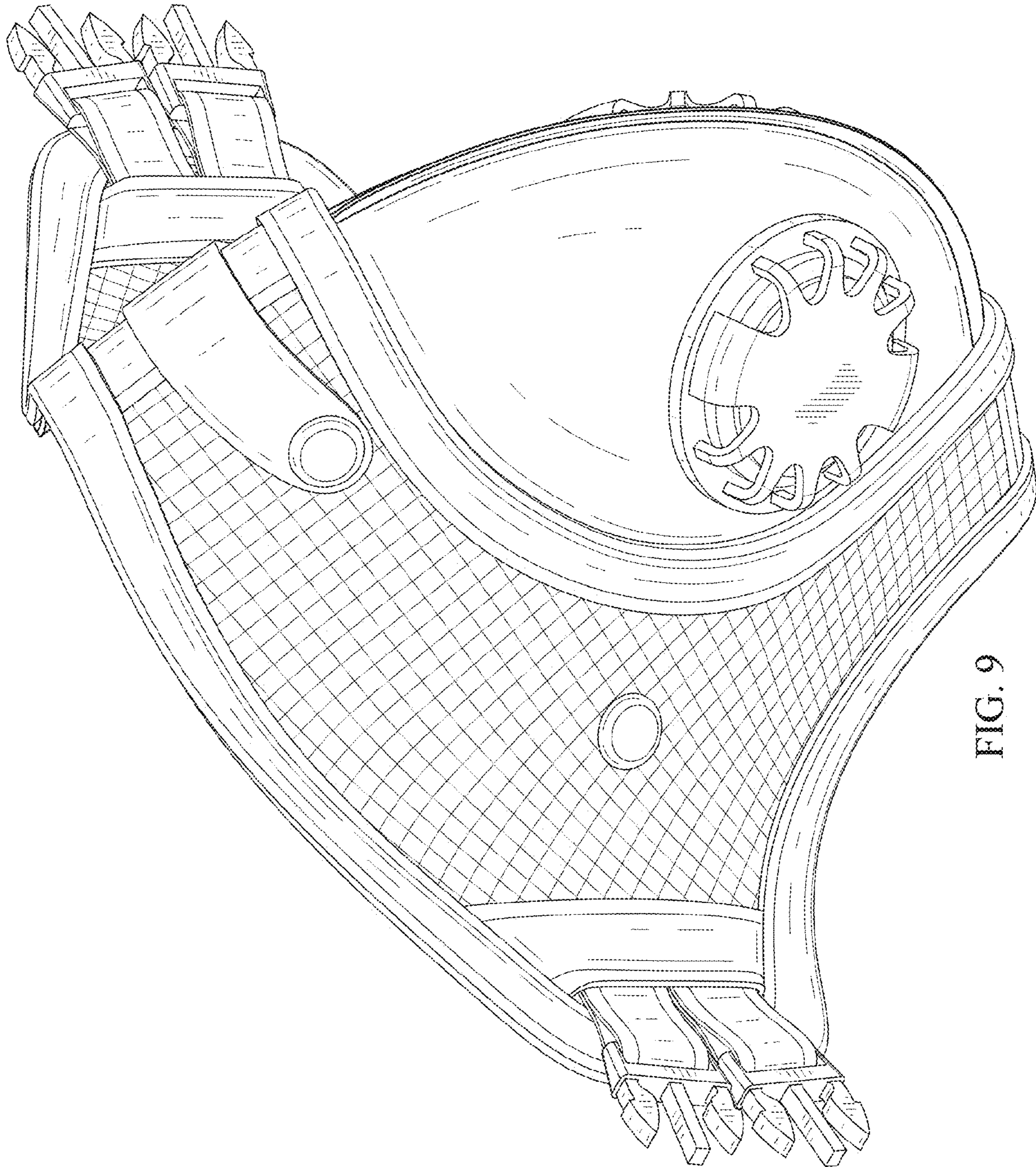


FIG. 9

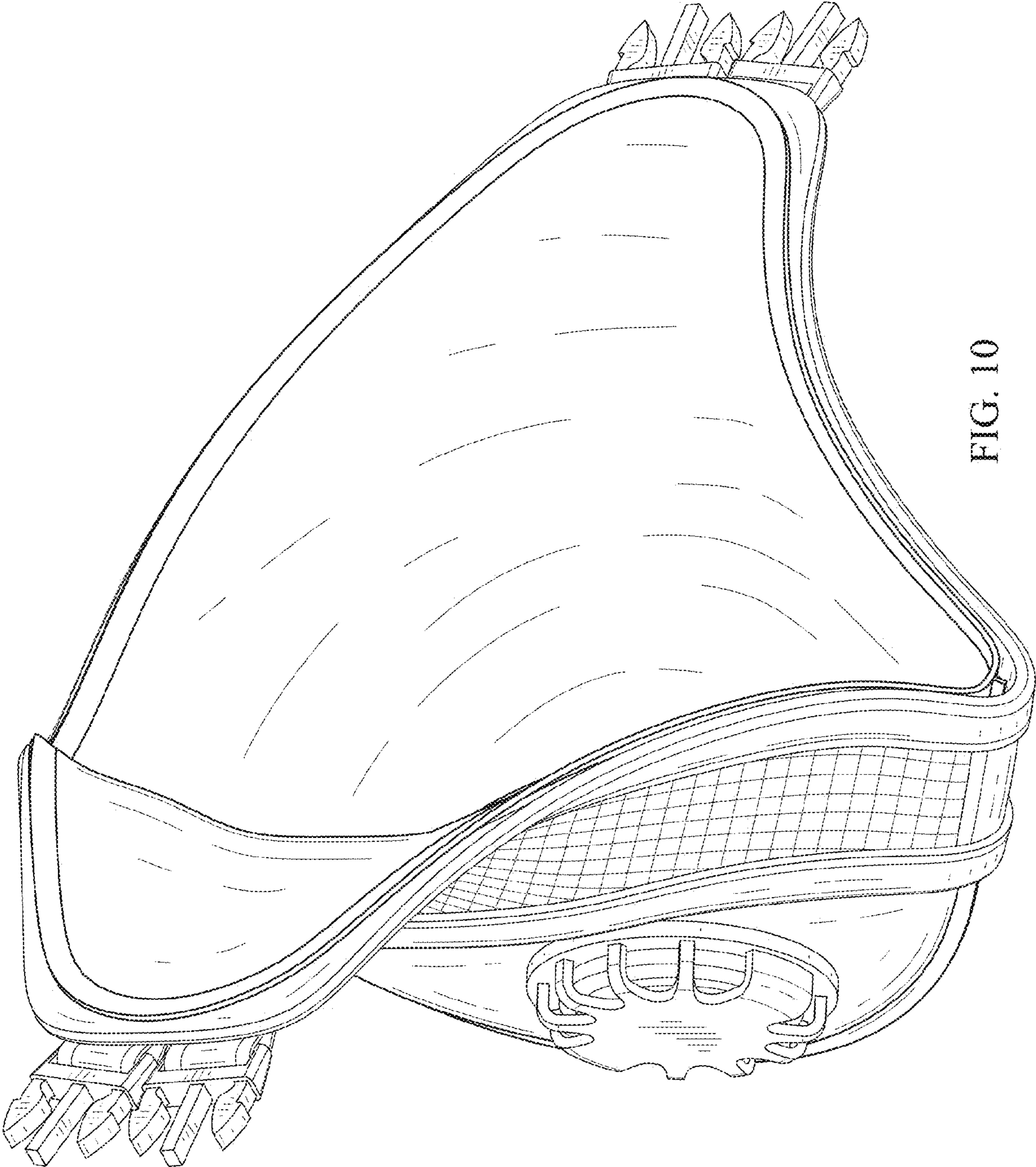


FIG. 10

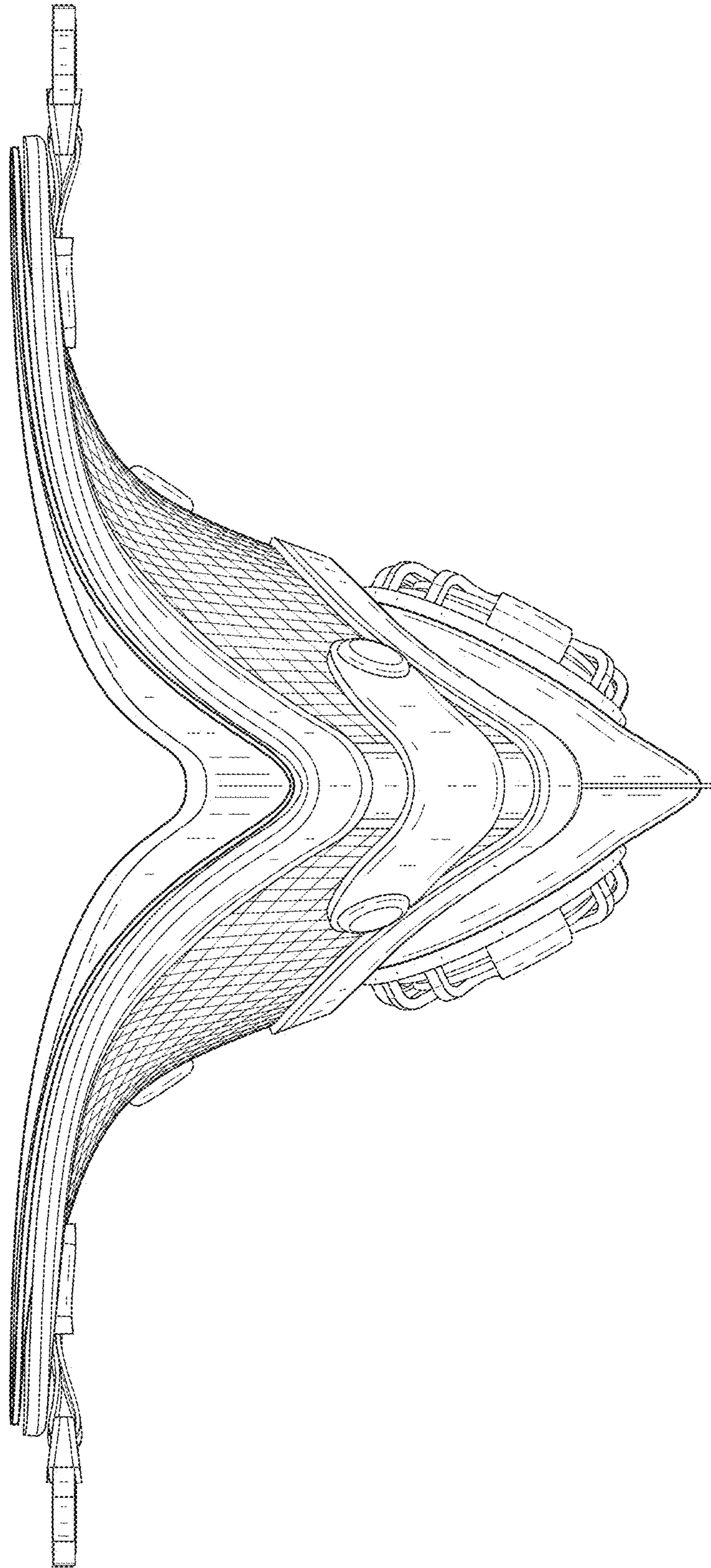


FIG. 11

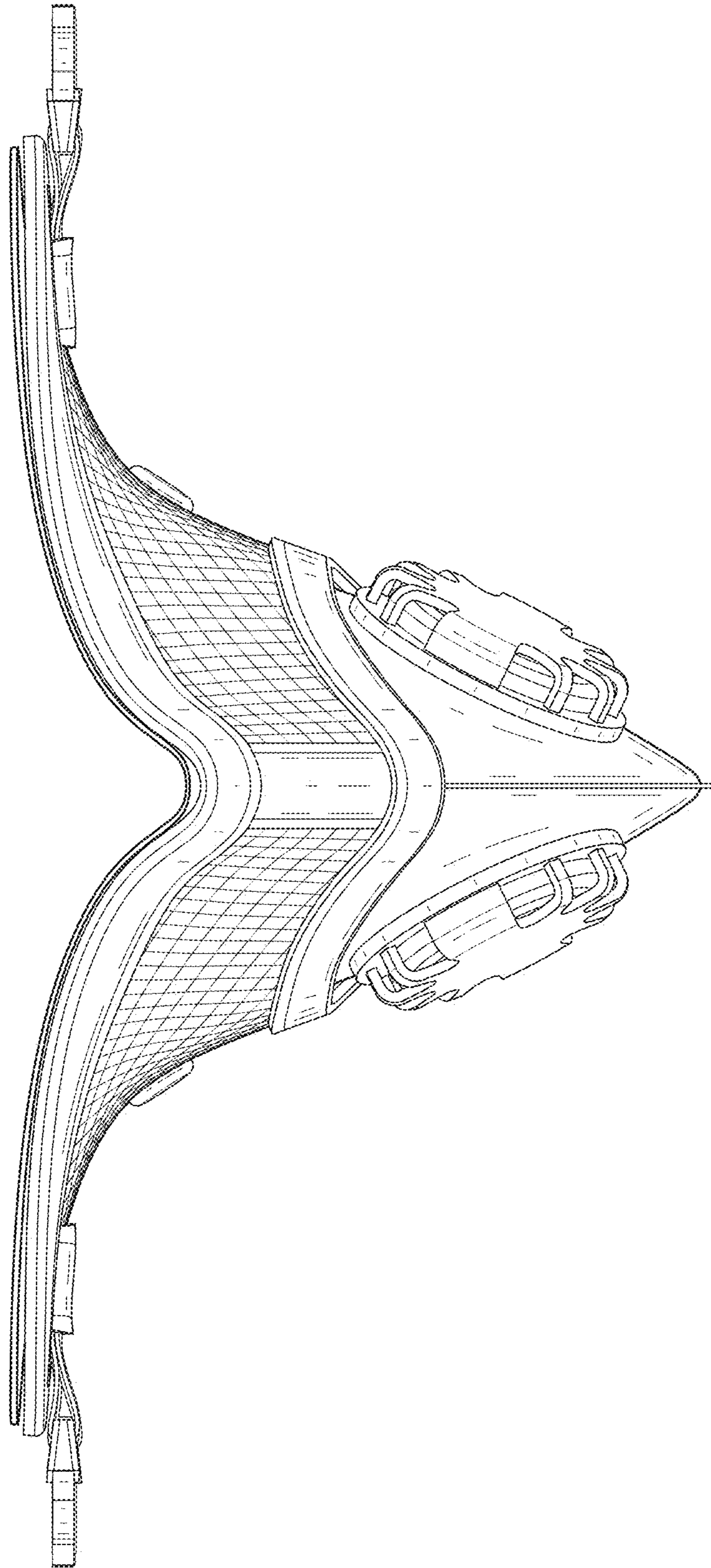


FIG. 12

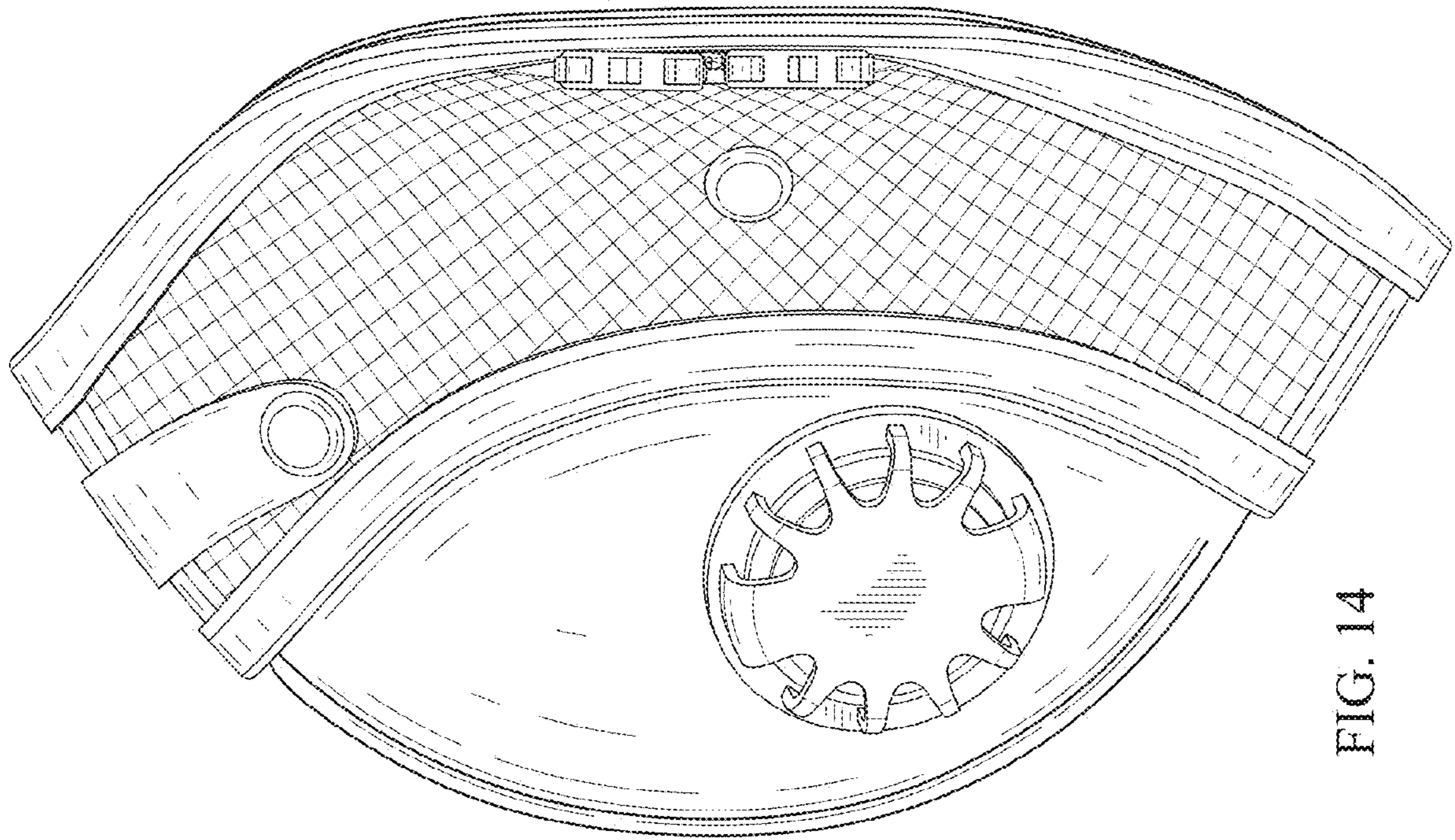


FIG. 14

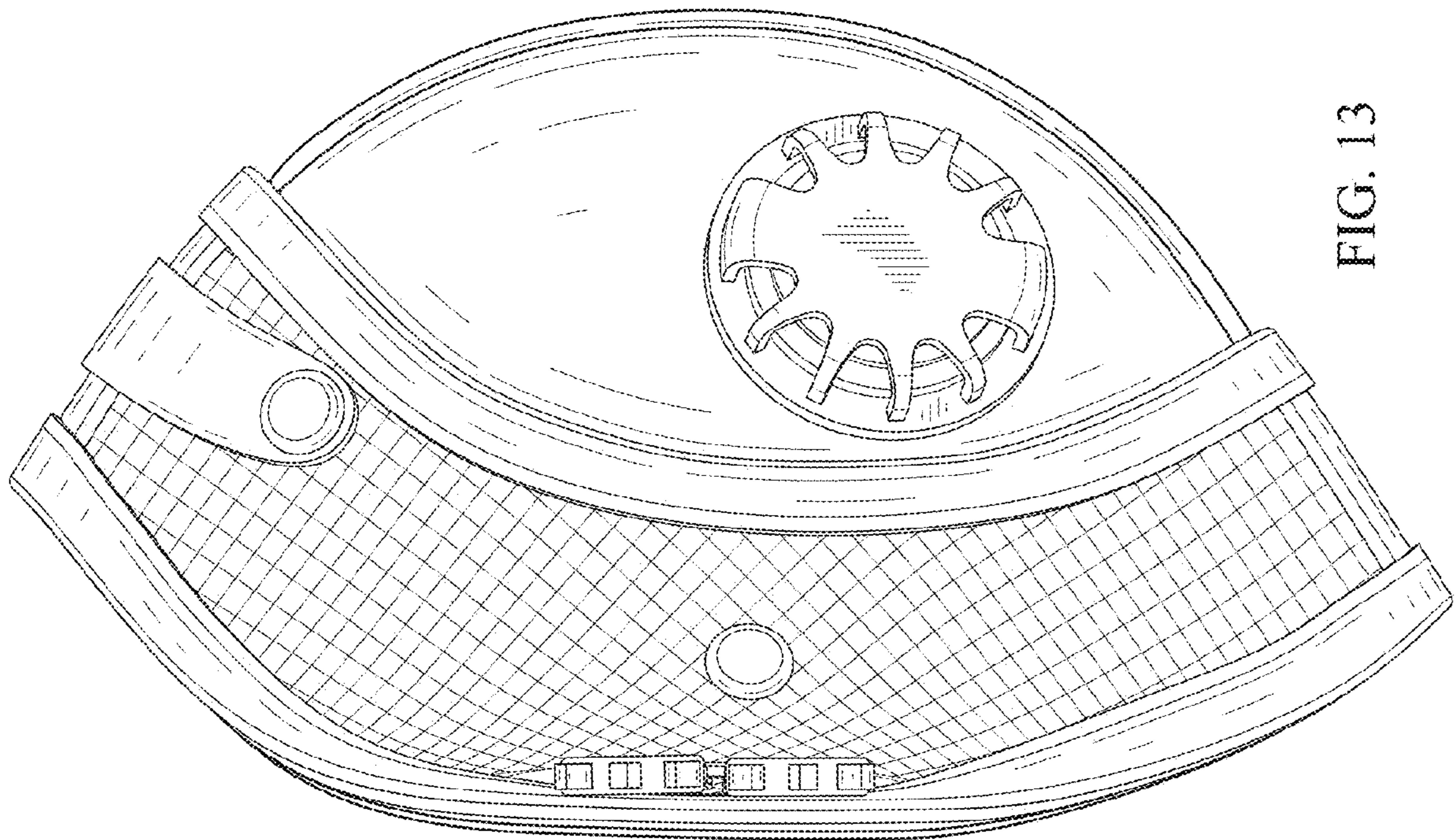


FIG. 13

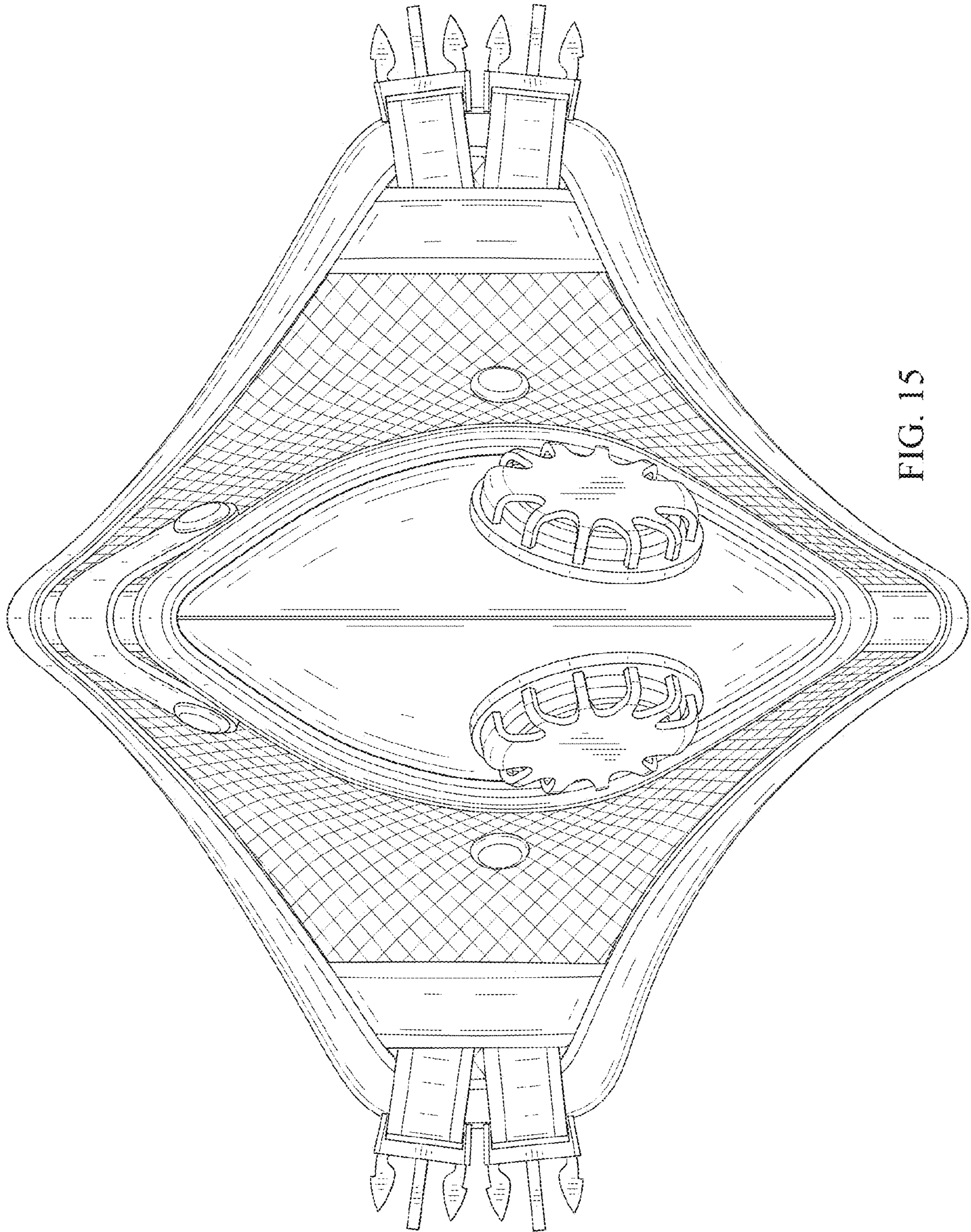


FIG. 15

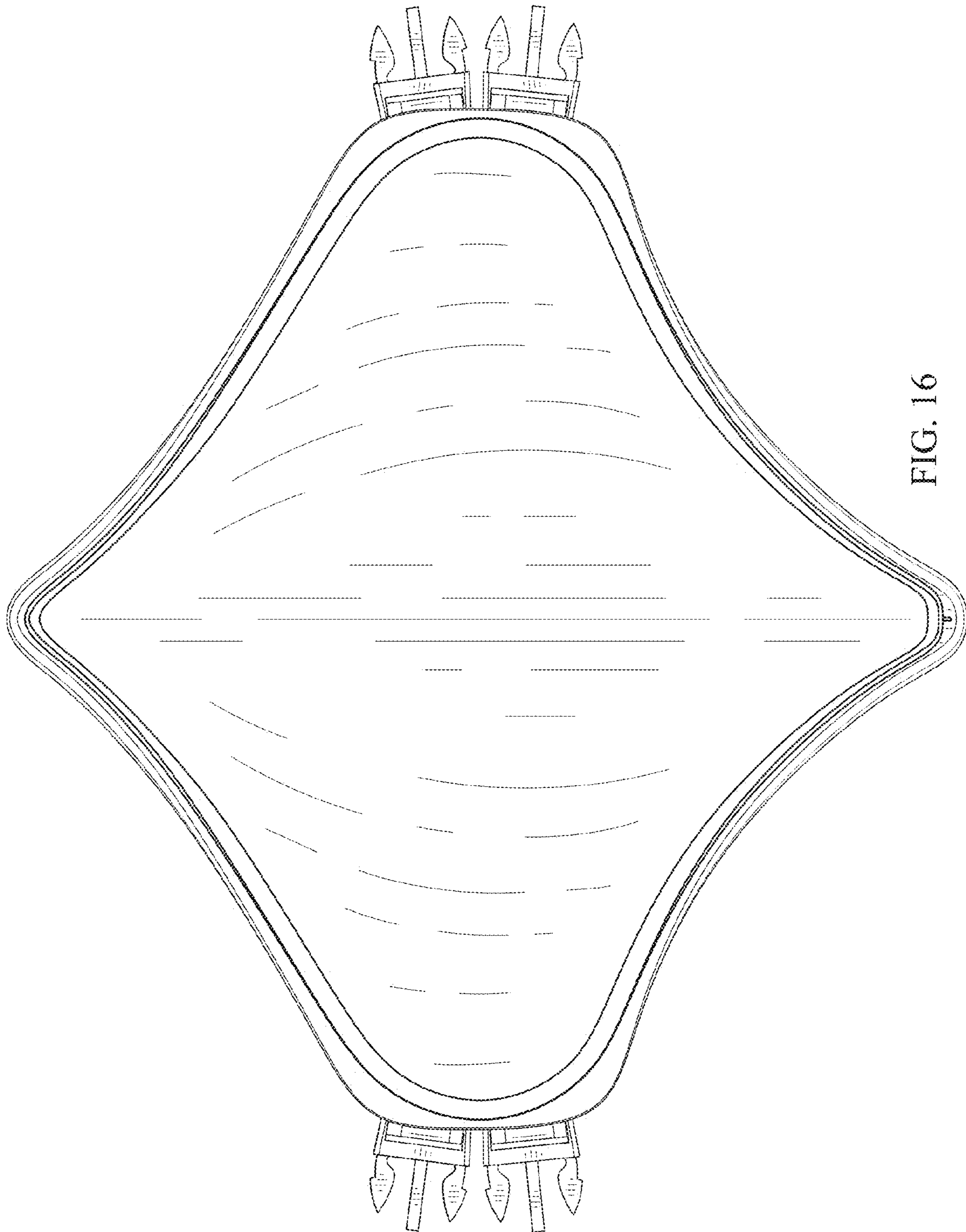


FIG. 16

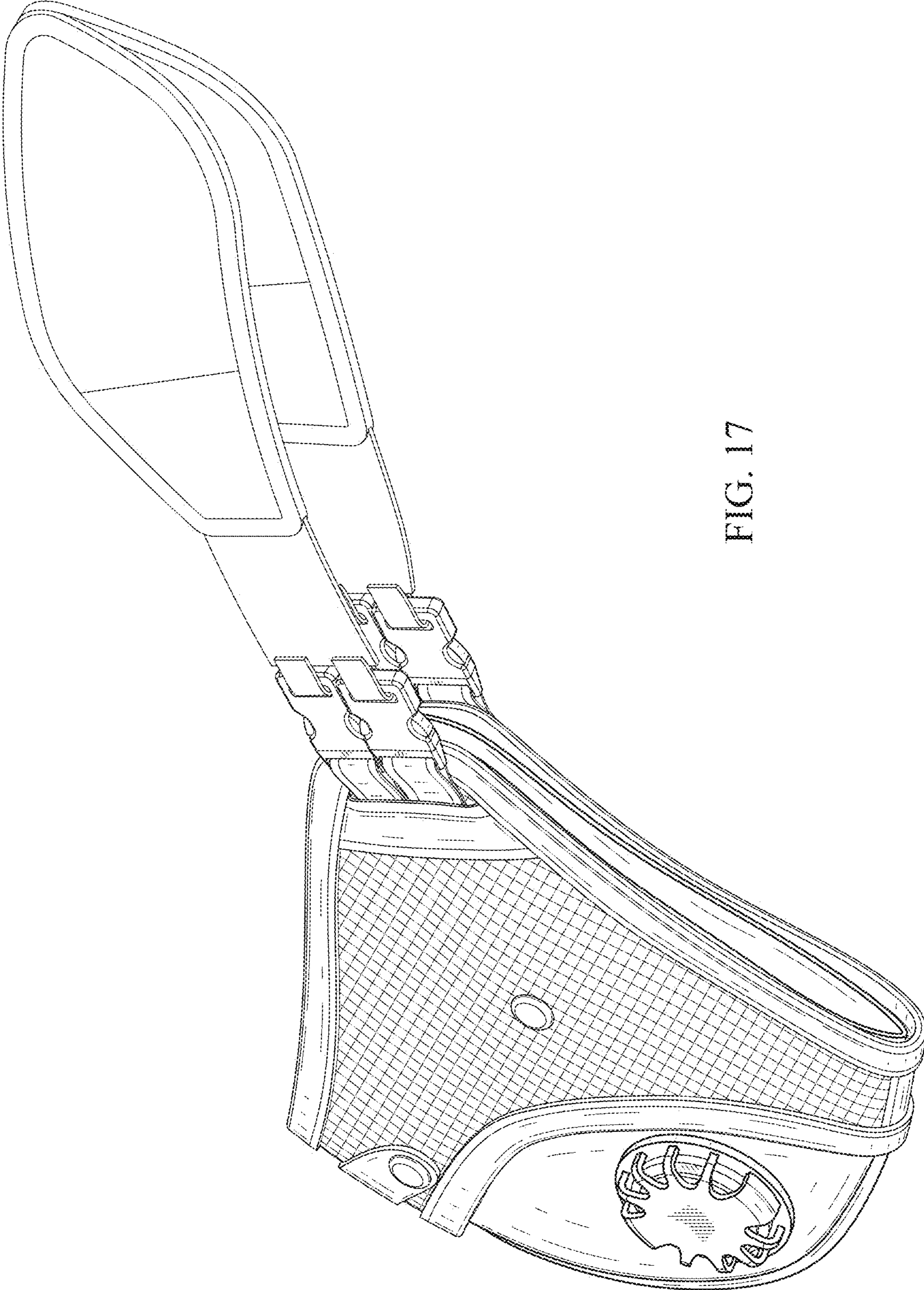


FIG. 17

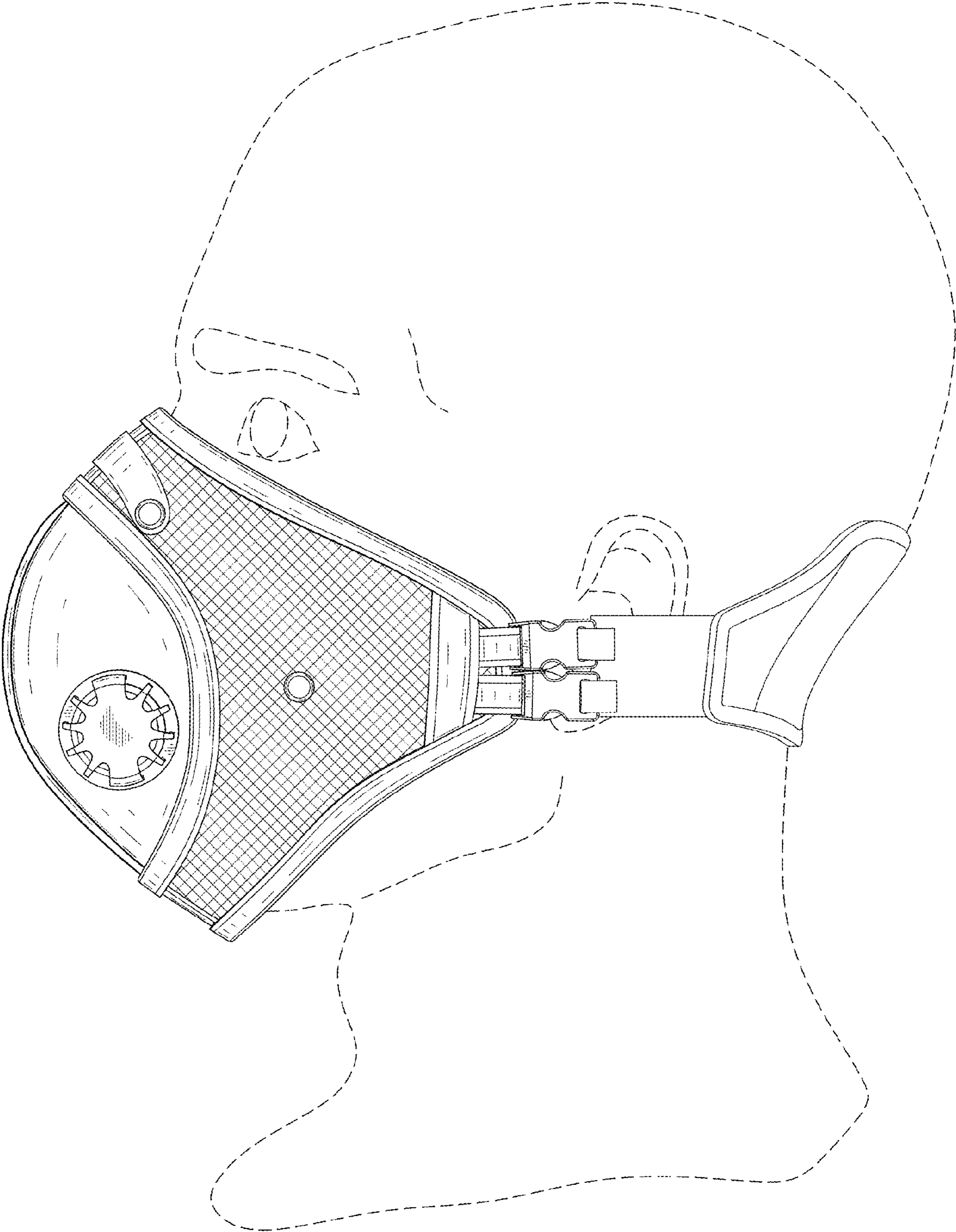


FIG. 18