



US00D941989S

(12) **United States Design Patent**
Ward et al.

(10) **Patent No.:** **US D941,989 S**
(45) **Date of Patent:** **** Jan. 25, 2022**

(54) **RESPIRATORY MASK**
(71) Applicant: **Huhtamaki, Inc.**, De Soto, KS (US)
(72) Inventors: **Dustin Ward**, China, ME (US);
William Bonczyk, Sidney, ME (US);
Michaela Schnell, Waterville, ME (US)
(73) Assignee: **HUHTAMAKI, INC.**, De Soto, KS
(US)

4,807,619 A * 2/1989 Dyrud B32B 38/0036
128/206.16
5,012,805 A * 5/1991 Muckerheide A41D 13/1146
128/205.28
5,307,796 A * 5/1994 Kronzer D04H 1/54
128/206.16
5,374,458 A * 12/1994 Burgio A41D 13/1146
128/206.16

(Continued)

(**) Term: **15 Years**

CN 202030296526.5 * 9/2020

(21) Appl. No.: **29/752,247**

OTHER PUBLICATIONS

(22) Filed: **Sep. 25, 2020**

Honeywell Safety (available Jun. 1, 2021) Retrieved from the internet Oct. 21, 2021 from URL: <https://www.amazon.com/Honeywell-Safety-NIOSH-Approved-20-pack-DC365N95HC/dp/B096BGQ88W/>.*

(51) **LOC (13) Cl.** **29-02**

(52) **U.S. Cl.**
USPC **D24/110.1**

(58) **Field of Classification Search**
USPC D24/110.1; D29/108
CPC . A41D 13/11; A41D 13/1107; A41D 13/1115;
A41D 13/1123; A41D 13/113; A41D
13/1138; A41D 13/1146; A41D 13/1153;
A41D 13/1161; A41D 13/1169; A41D
24/00; A41D 24/52; A62B 18/00; A62B
18/02; A62B 18/025; A62B 18/08; A62B
18/084; A62B 18/10

See application file for complete search history.

Primary Examiner — Eric L Goodman
Assistant Examiner — Michael Hoffman
(74) *Attorney, Agent, or Firm* — Husch Blackwell LLP

(57) **CLAIM**

The ornamental design for a respiratory mask, as shown and described.

DESCRIPTION

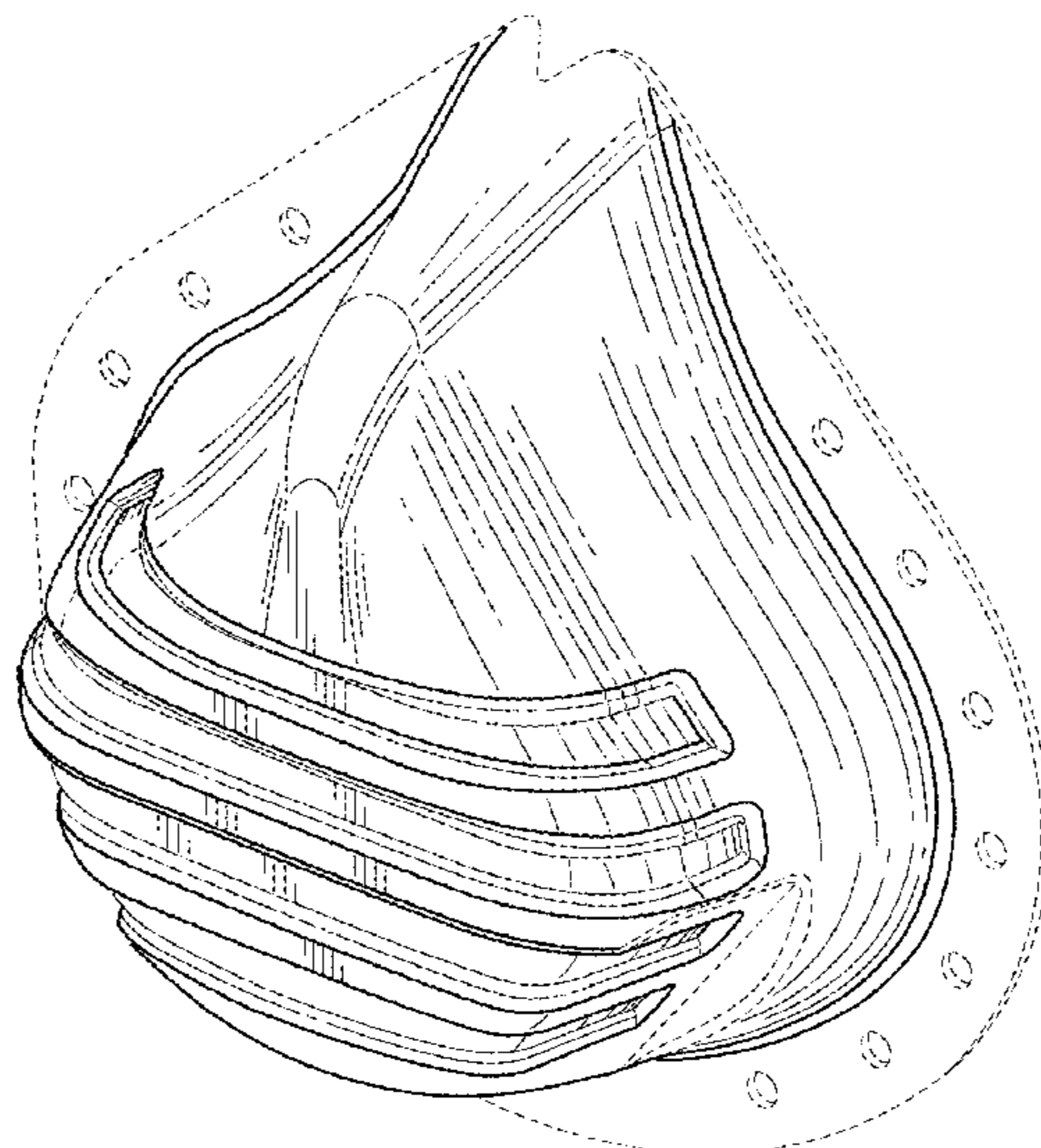
(56) **References Cited**

U.S. PATENT DOCUMENTS

3,333,585 A * 8/1967 Barghini A41D 13/1146
128/201.13
D267,985 S * 2/1983 Huber D24/110.1
4,384,577 A * 5/1983 Huber A41D 13/1146
128/206.19
D273,145 S * 3/1984 Ponsi D24/110.1
4,536,440 A 8/1985 Berg
4,600,002 A 7/1986 Maryyanek et al.
4,616,647 A 10/1986 McCreadie
4,641,645 A 2/1987 Tayebi

FIG. 1 is a perspective view of a respiratory mask showing the new design;
FIG. 2 is a front elevation view thereof;
FIG. 3 is a top plan view thereof;
FIG. 4 is a rear elevation view thereof;
FIG. 5 is a bottom plan view thereof; and,
FIG. 6 is a right side elevation view thereof (the left side elevation view is a mirror image of FIG. 6).
The dash-dash type broken lines shown in the drawing views are included for the purpose of showing environmental subject matter that forms no part of the claimed design.

1 Claim, 4 Drawing Sheets



(56)

References Cited

U.S. PATENT DOCUMENTS

5,842,470 A * 12/1998 Ruben A41D 13/1115
128/206.19
6,041,782 A * 3/2000 Angadjivand A41D 13/1146
128/206.19
6,095,143 A 8/2000 Dyrud et al.
D442,276 S * 5/2001 Geist D24/110.1
6,827,764 B2 12/2004 Springett et al.
6,923,182 B2 * 8/2005 Angadjivand A41D 13/1146
128/205.27
6,988,500 B1 * 1/2006 Cox A41D 13/11
128/201.15
8,381,727 B2 2/2013 Matich
D721,169 S * 1/2015 Moon A62B 18/02
D24/110.1
9,320,923 B2 4/2016 Koehler
D844,253 S * 3/2019 Cho D29/108
D870,390 S * 12/2019 Mao D29/108
D885,559 S * 5/2020 Gabriel D24/110.1
D923,775 S * 6/2021 Gilner D24/110.1

* cited by examiner

FIG. 1

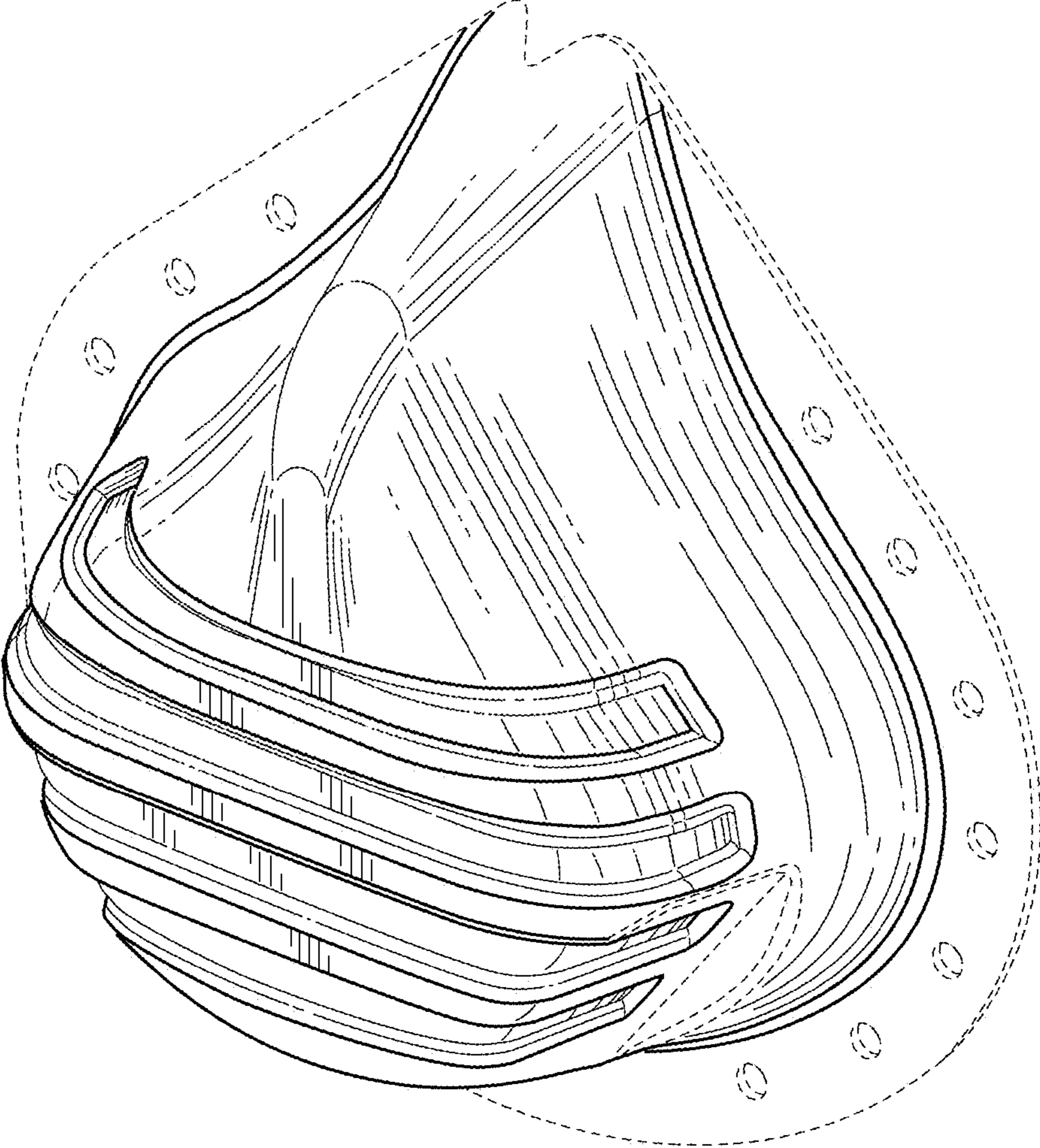


FIG. 2

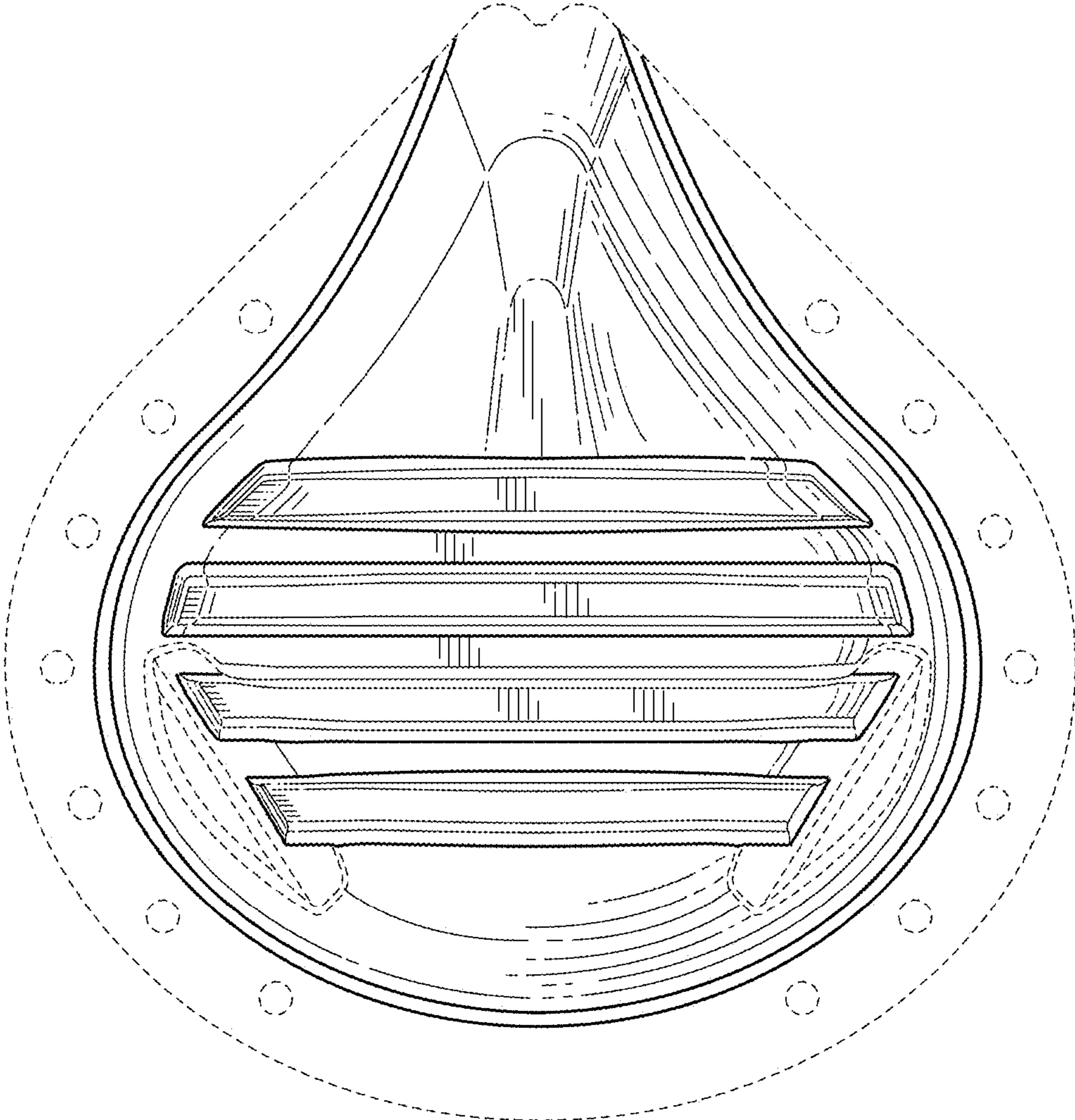


FIG. 3

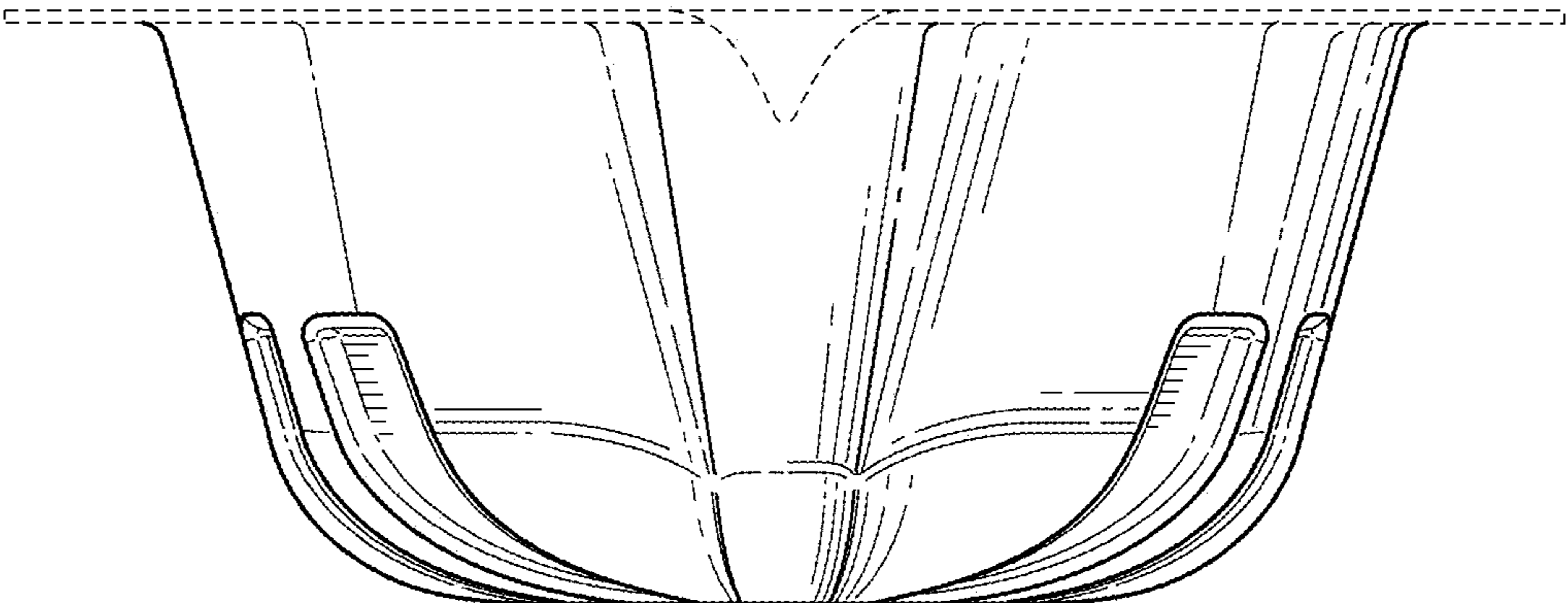


FIG. 4

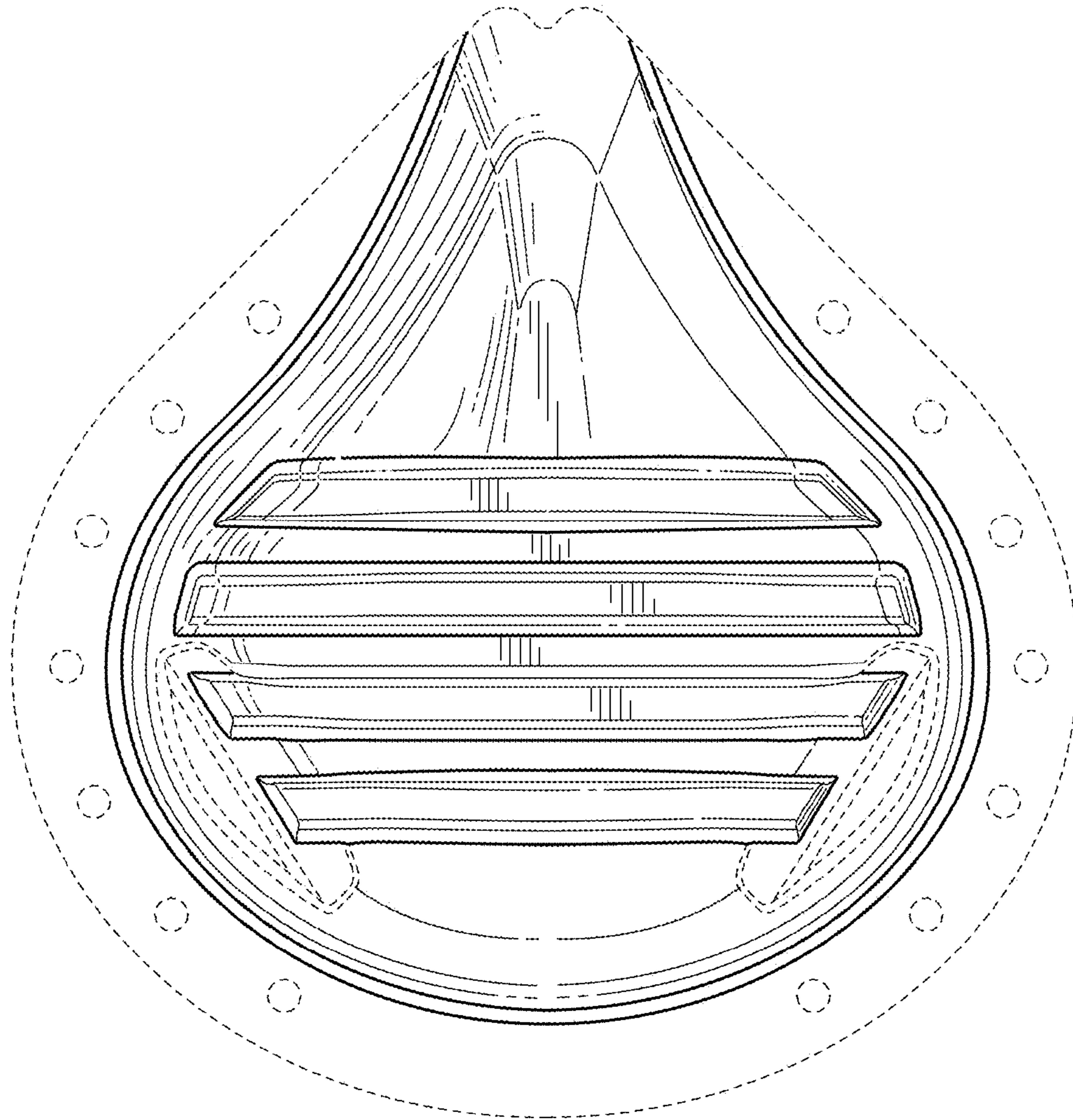


FIG. 5

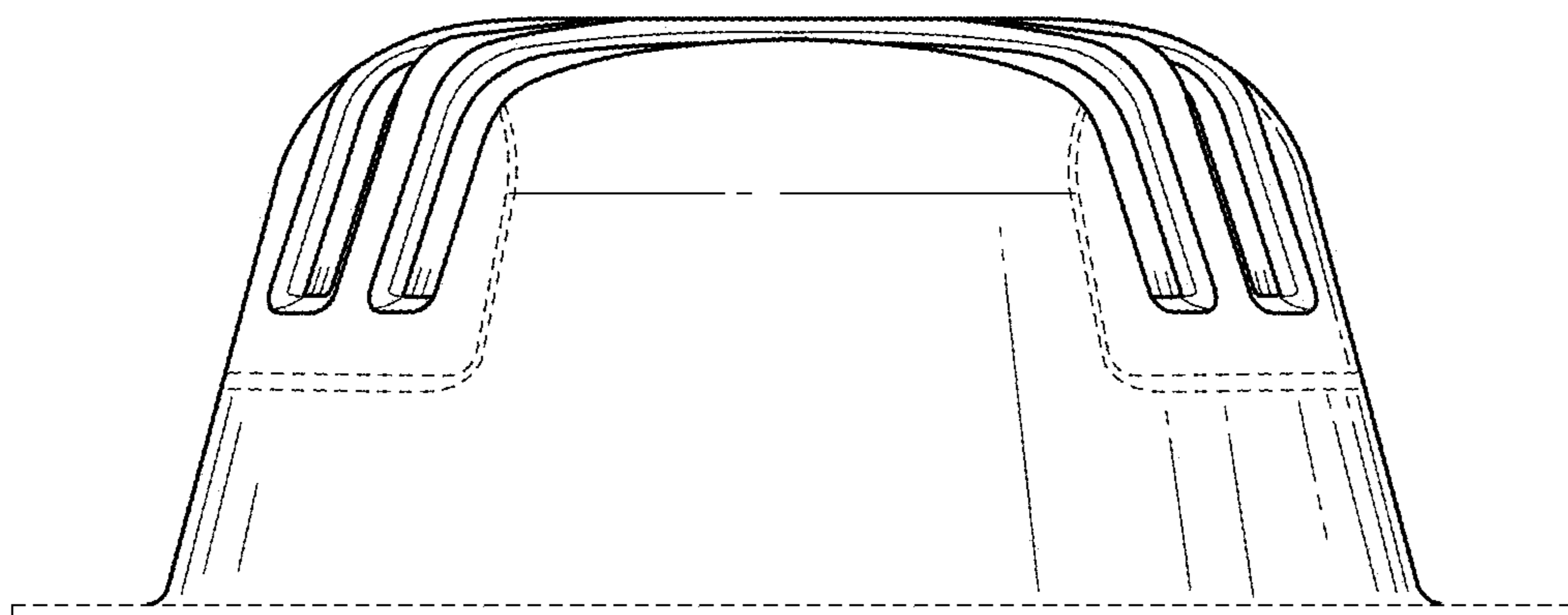


FIG. 6

