



US00D941987S

(12) **United States Design Patent**  
**Sandberg**

(10) **Patent No.:** **US D941,987 S**

(45) **Date of Patent:** **\*\* Jan. 25, 2022**

(54) **BREAST PUMP FUNNEL**

(71) Applicant: **KONINKLIJKE PHILIPS N.V.**,  
Eindhoven (NL)

(72) Inventor: **Emma Stina Katarina Sandberg**,  
Amsterdam (NL)

(73) Assignee: **KONINKLIJKE PHILIPS N.V.**,  
Eindhoven (NL)

(\*\*) Term: **15 Years**

(21) Appl. No.: **29/709,442**

(22) Filed: **Oct. 15, 2019**

(30) **Foreign Application Priority Data**

May 17, 2019 (EM) ..... 006477592

(51) **LOC (13) Cl.** ..... **24-02**

(52) **U.S. Cl.**  
USPC ..... **D24/109**

(58) **Field of Classification Search**

USPC ..... D24/107-109, 111, 113, 127, 185, 193,  
D24/197; D9/500, 549; D7/700;  
D14/203.2-203.7; D13/168

CPC ..... A61M 1/00; A61M 1/06; A61M 1/062;  
A61M 1/064; A61M 1/80; A61M 1/82;  
A61M 1/0001; A61M 2205/502; A61M  
2205/8206; A61M 2205/07; A61M  
2205/505; A61M 2205/071; A61M  
2205/075; A61M 2205/123; A61J 9/00;  
A61J 13/00; A61J 2200/50; A61J 2200/76

See application file for complete search history.

(56) **References Cited**

**U.S. PATENT DOCUMENTS**

D251,015 S \* 2/1979 Cone ..... 604/74  
D564,656 S \* 3/2008 Matsutori ..... D24/109

D676,956 S \* 2/2013 Kirchner ..... D24/109  
D683,442 S \* 5/2013 Cudworth ..... D24/109  
D783,803 S \* 4/2017 Rigert ..... D24/109  
D810,924 S \* 2/2018 Emmenegger ..... D24/109  
D814,018 S \* 3/2018 Emmenegger ..... D24/109  
D815,272 S \* 4/2018 Emmenegger ..... D24/109  
D886,985 S \* 6/2020 Subbanna ..... D24/109  
2018/0021492 A1 \* 1/2018 Furrer ..... A61M 1/064  
604/74  
2018/0028733 A1 \* 2/2018 Rigert ..... A61M 1/066  
2019/0275222 A1 \* 9/2019 Evans ..... A61M 1/064  
2019/0365609 A1 \* 12/2019 Le ..... A61M 1/066

\* cited by examiner

*Primary Examiner* — Sheryl Lane

*Assistant Examiner* — Aula Soroush

(57) **CLAIM**

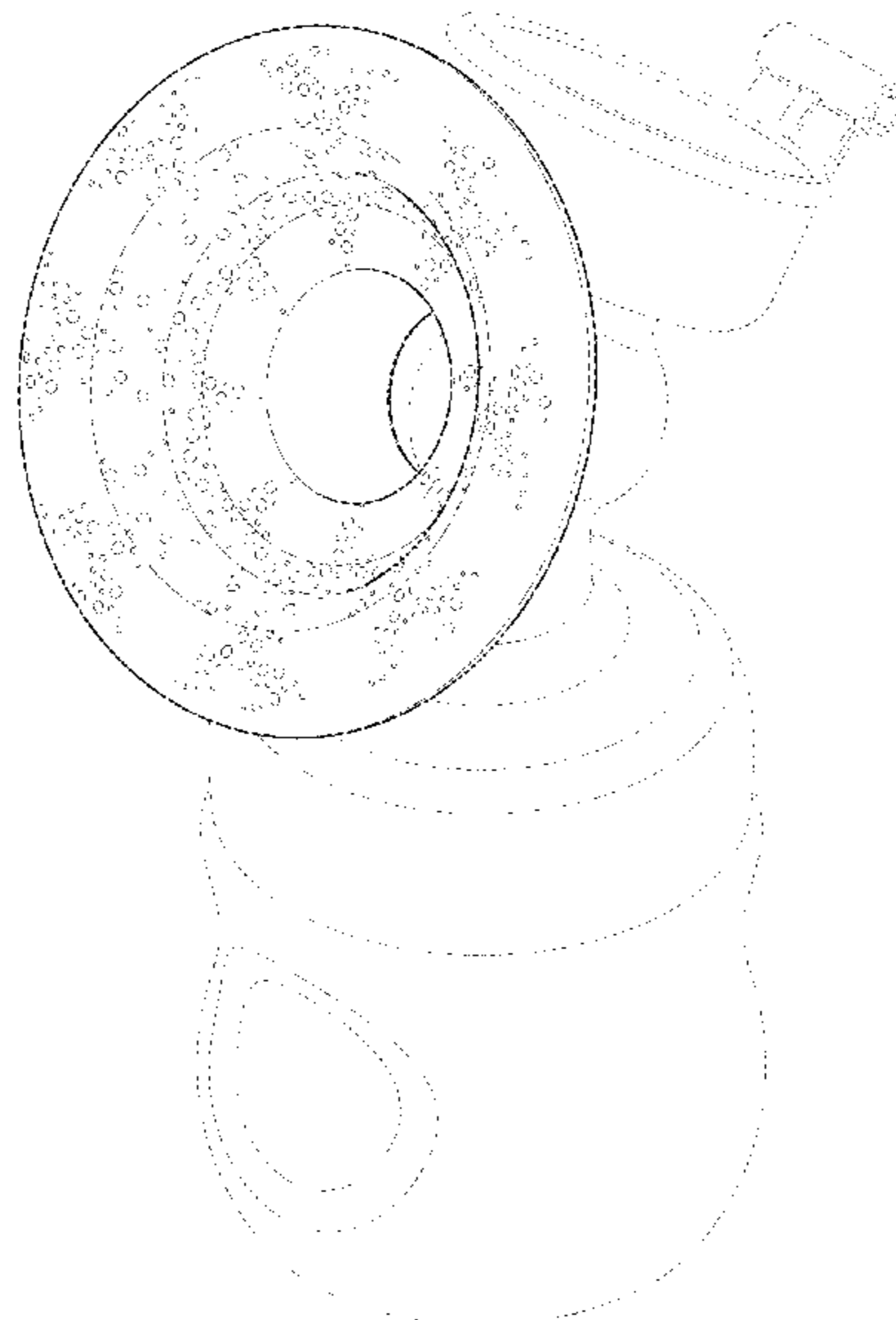
The ornamental design for a breast pump funnel, as shown.

**DESCRIPTION**

FIG. 1 is a perspective view of a first embodiment of a breast pump funnel showing mydesign;  
FIG. 2 is a front elevational view thereof;  
FIG. 3 is a rear elevational view thereof;  
FIG. 4 is a right side elevational view thereof;  
FIG. 5 is a left side elevational view thereof;  
FIG. 6 is a top plan view thereof;  
FIG. 7 is a bottom plan view thereof;  
FIG. 8 is a perspective view of a second embodiment of a breast pump funnel showing mydesign;  
FIG. 9 is a front elevational view thereof;  
FIG. 10 is a rear elevational view thereof;  
FIG. 11 is a right side elevational view thereof;  
FIG. 12 is a left side elevational view thereof;  
FIG. 13 is a top plan view thereof; and,  
FIG. 14 is a bottom plan view thereof.

The broken lines in the drawings illustrate portions of the breast pump funnel that form no part of the claimed design.

**1 Claim, 14 Drawing Sheets**



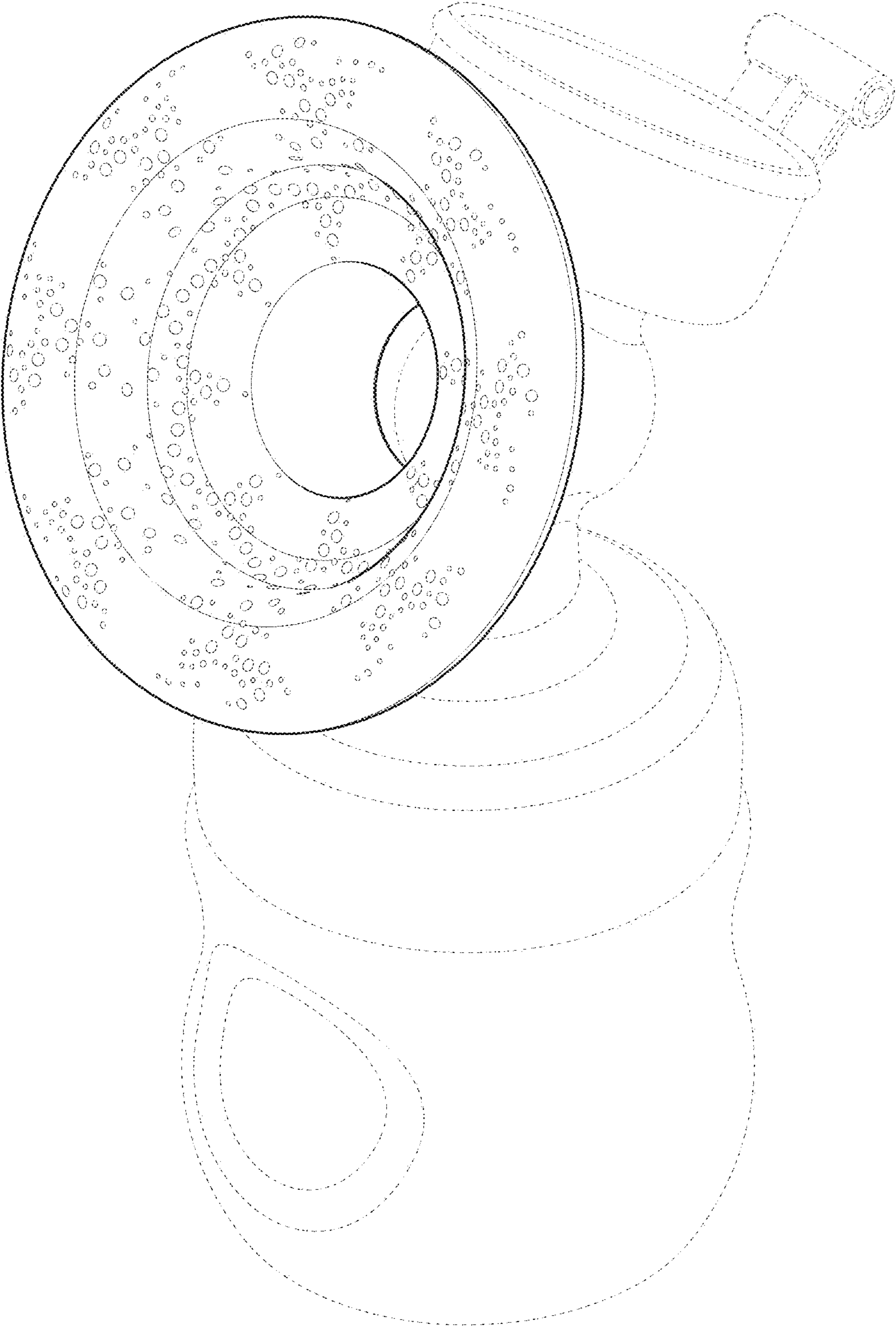


FIG. 1

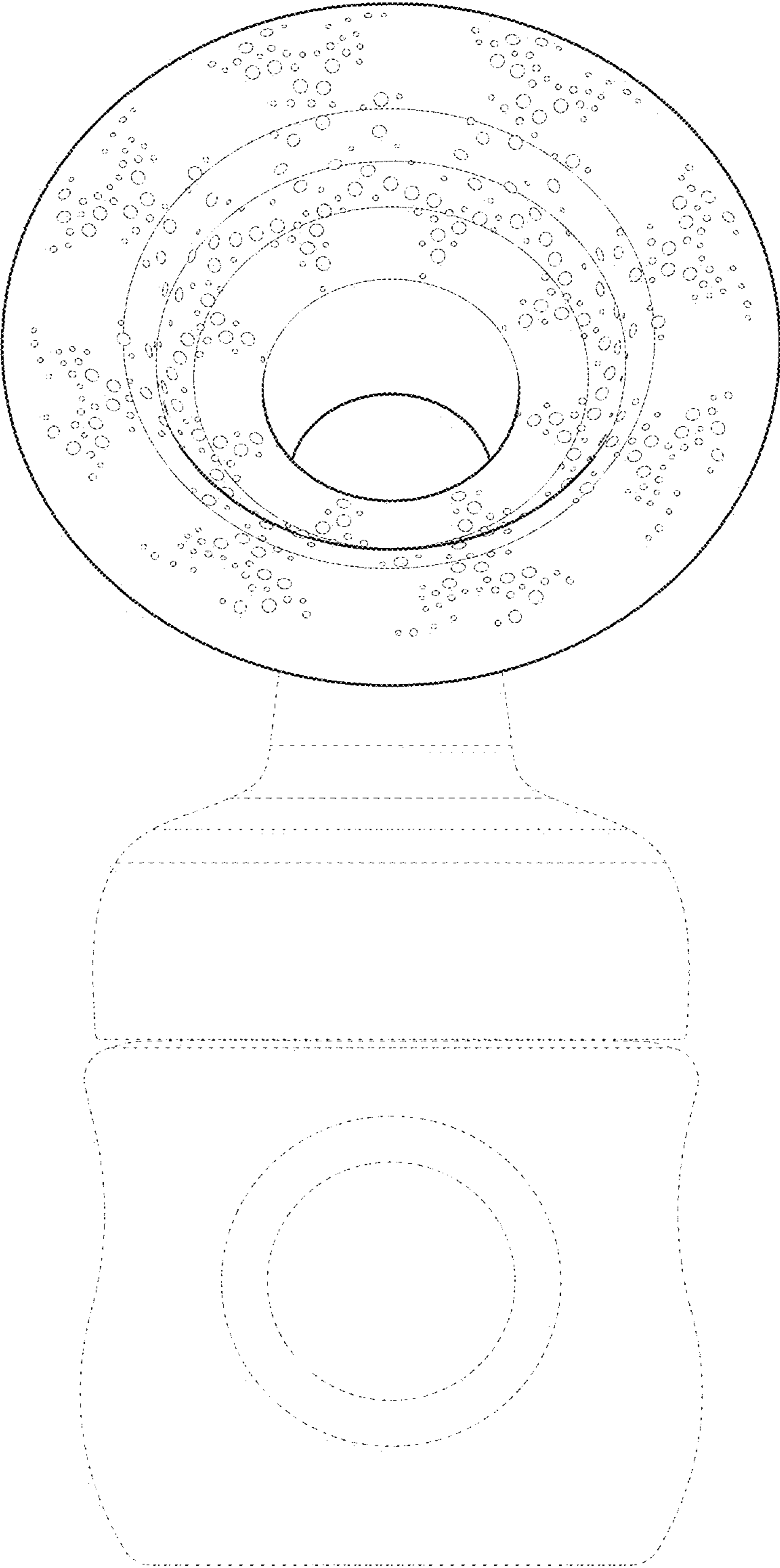


FIG. 2

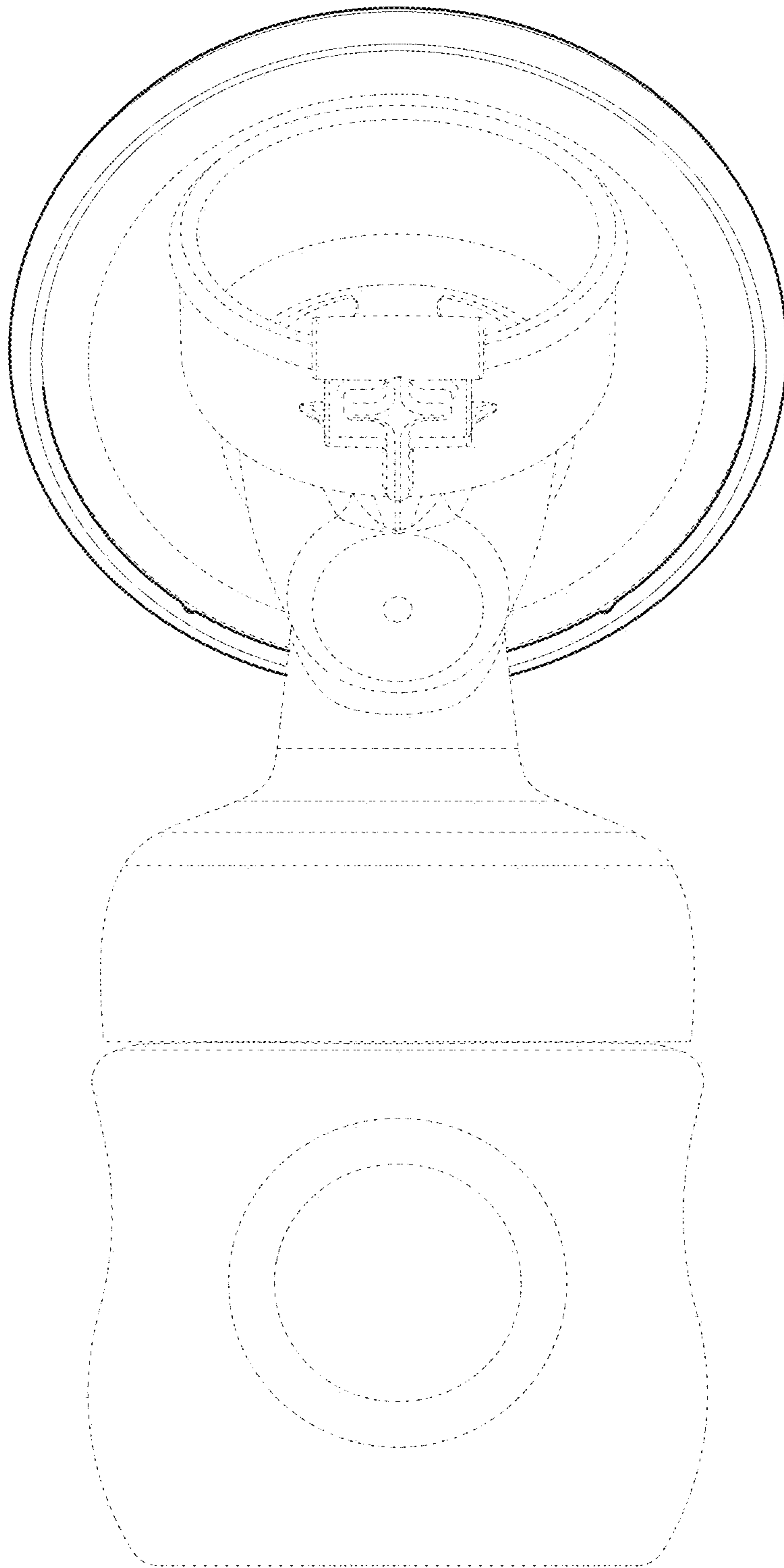


FIG. 3

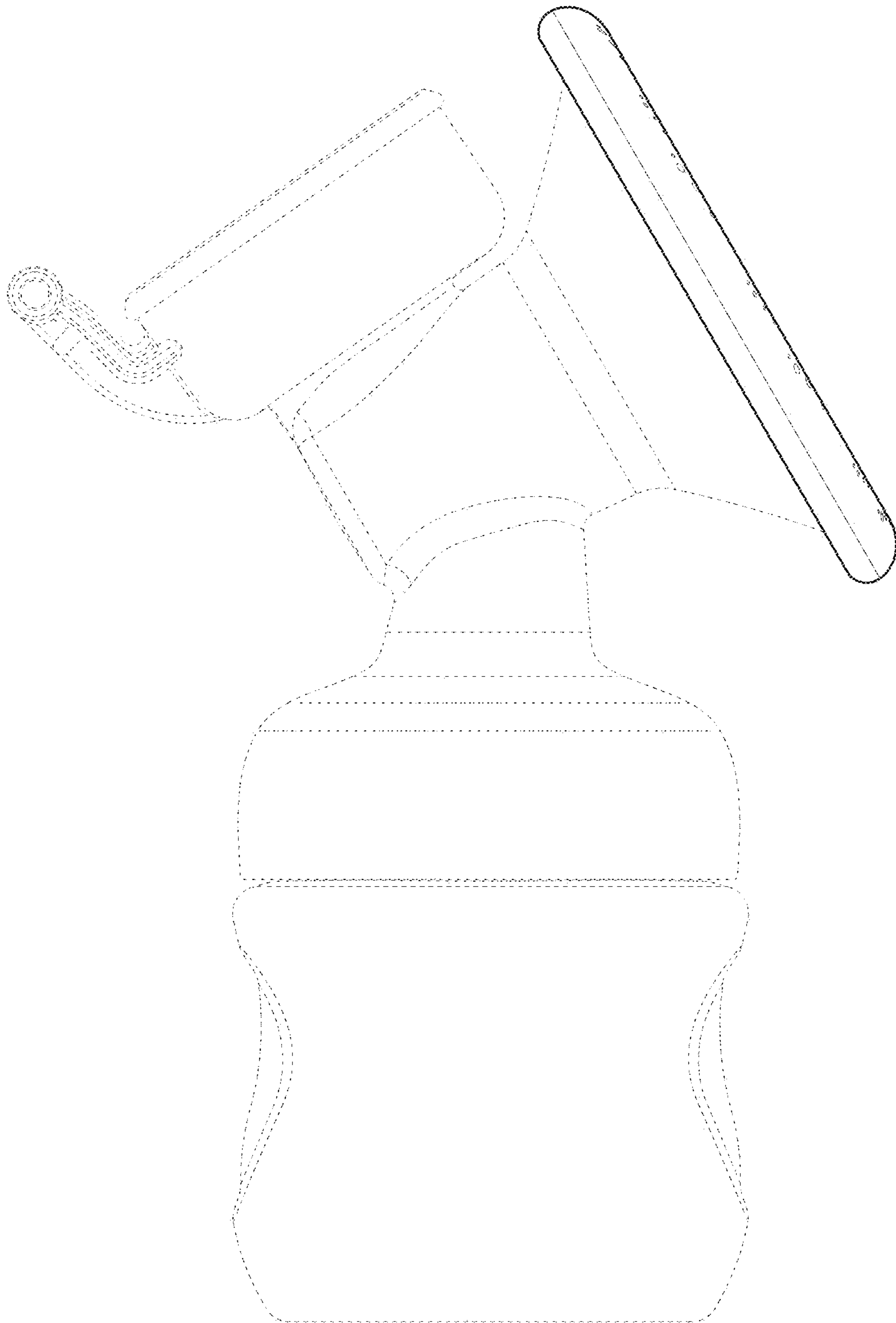


FIG. 4



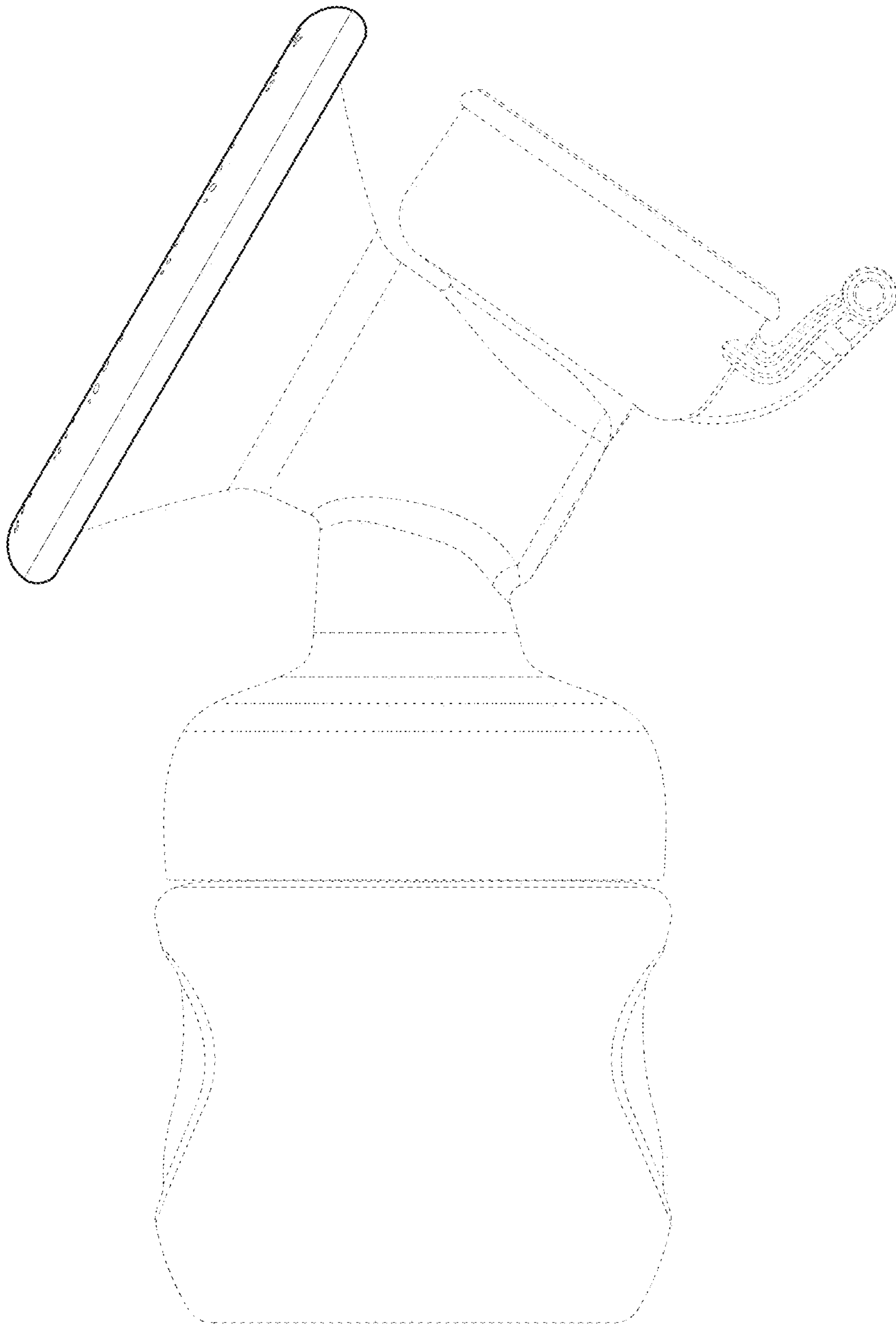


FIG. 5

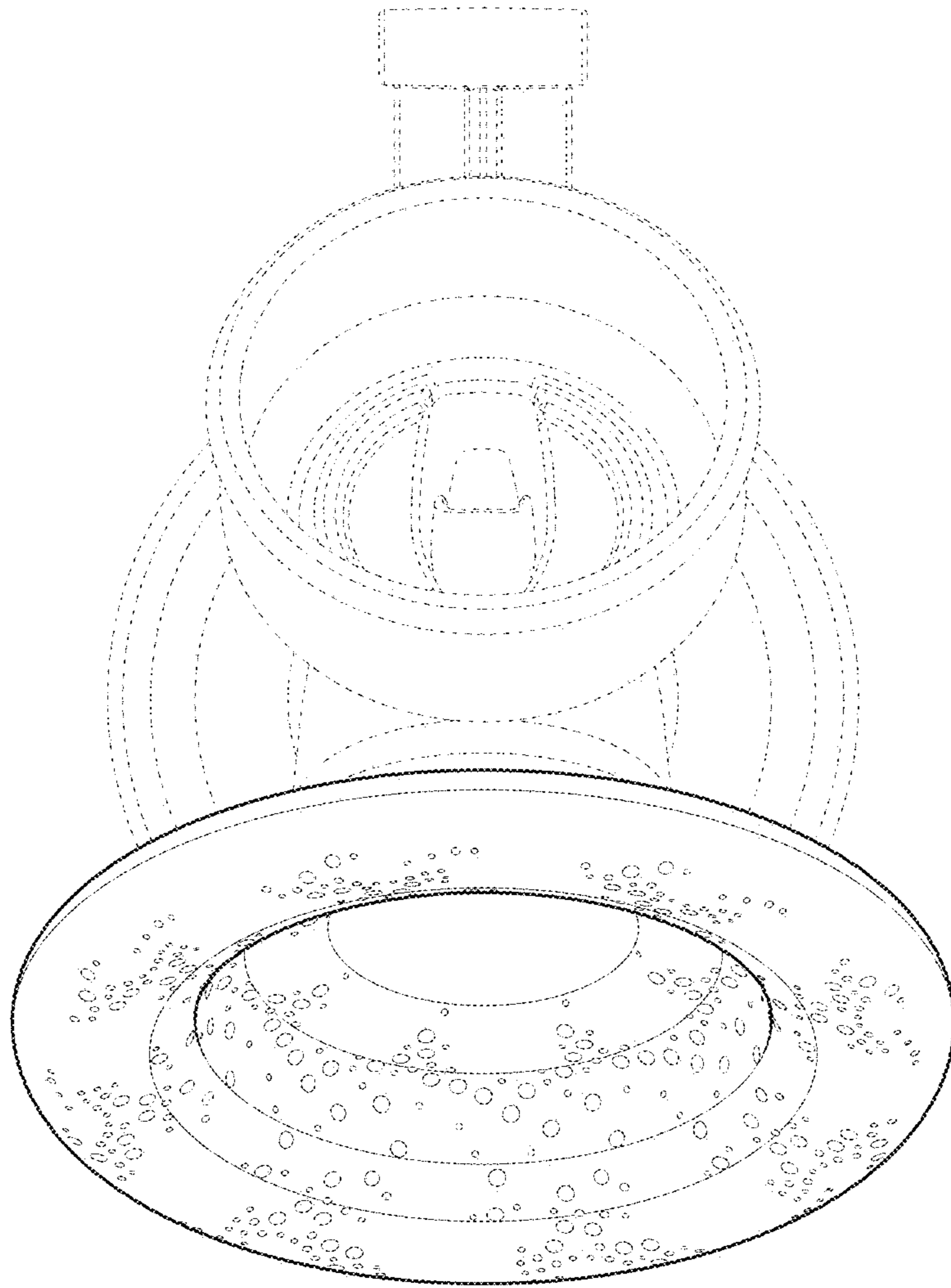


FIG. 6

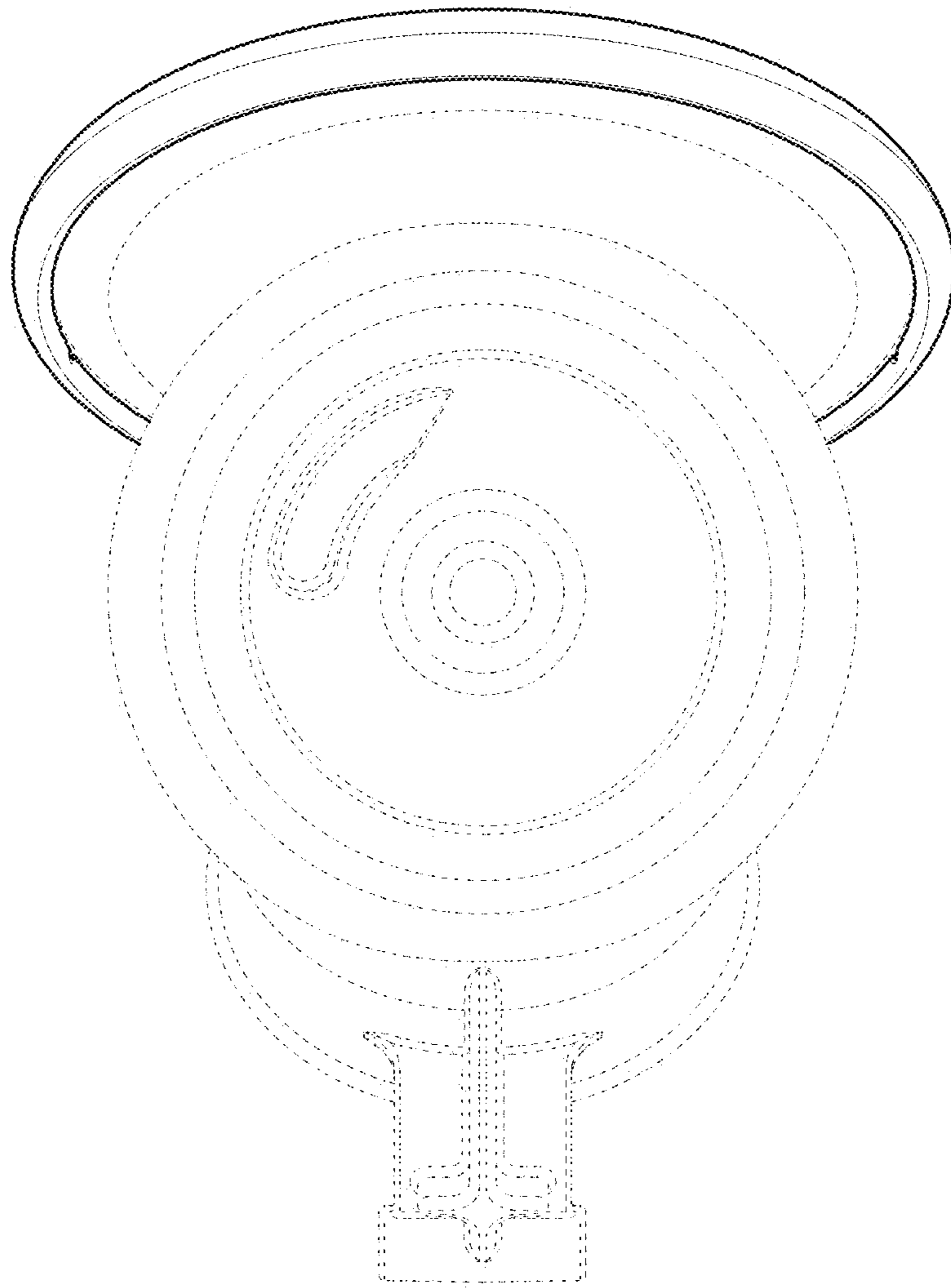


FIG. 7



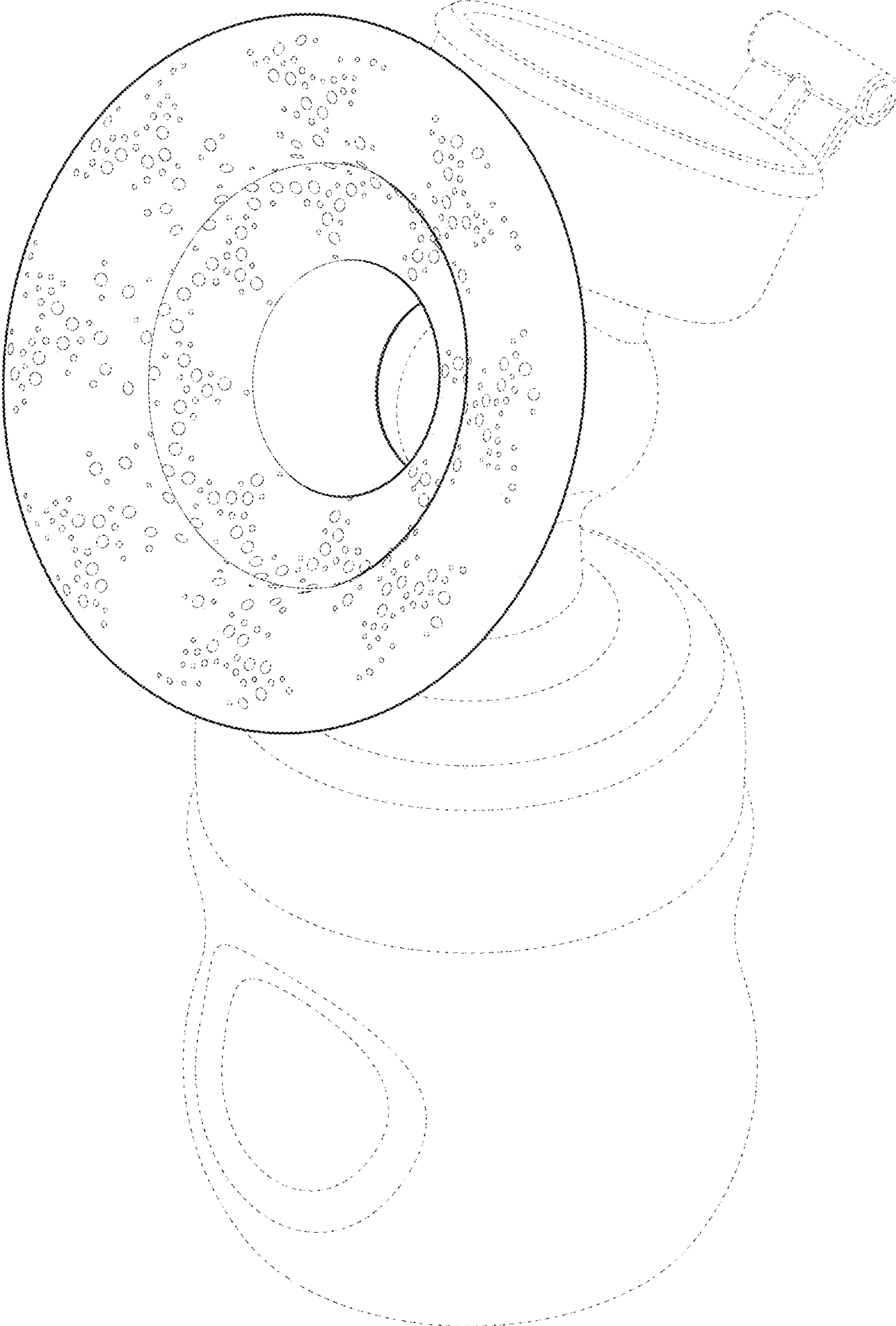


FIG. 8

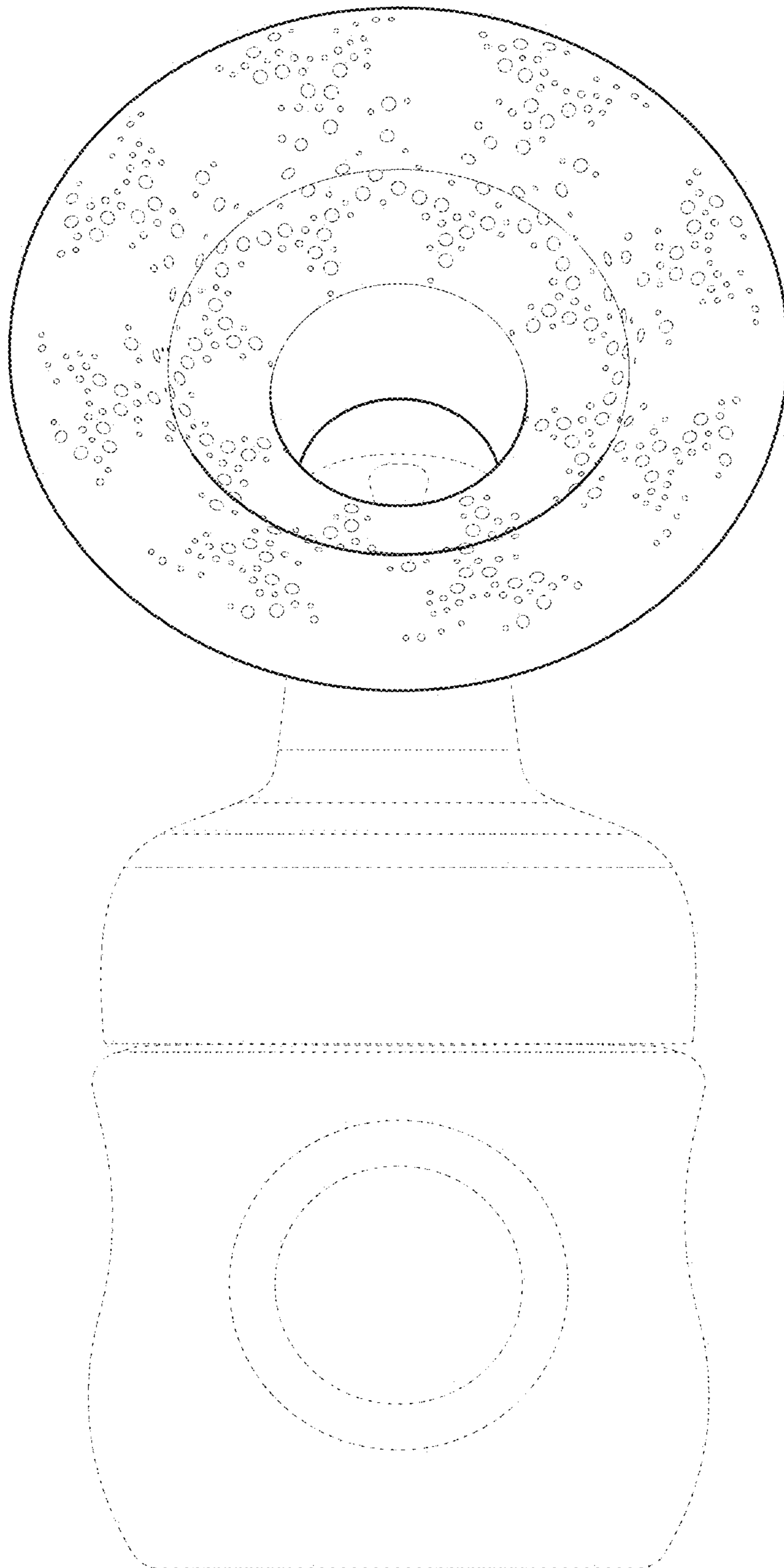


FIG. 9

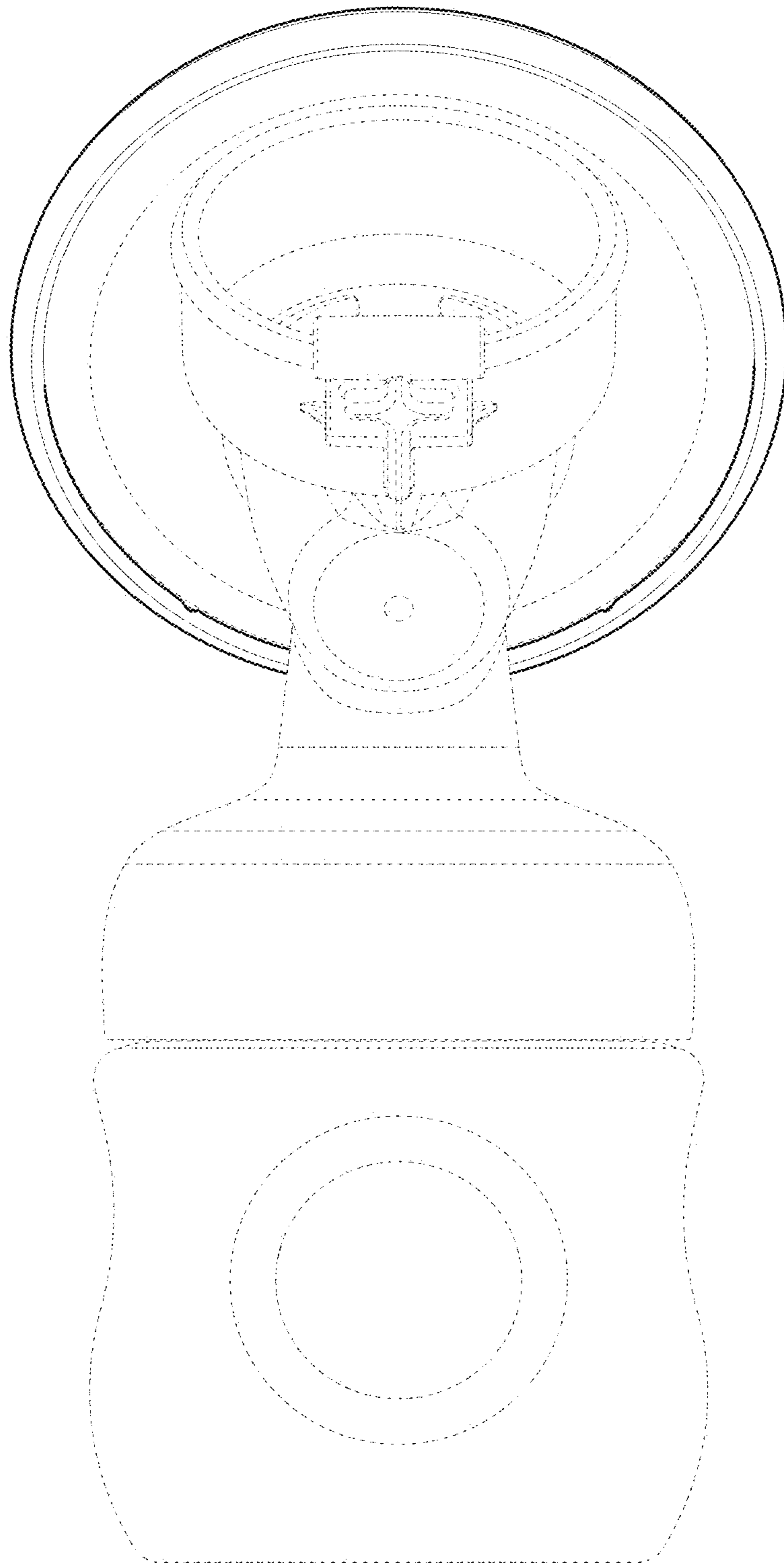


FIG. 10

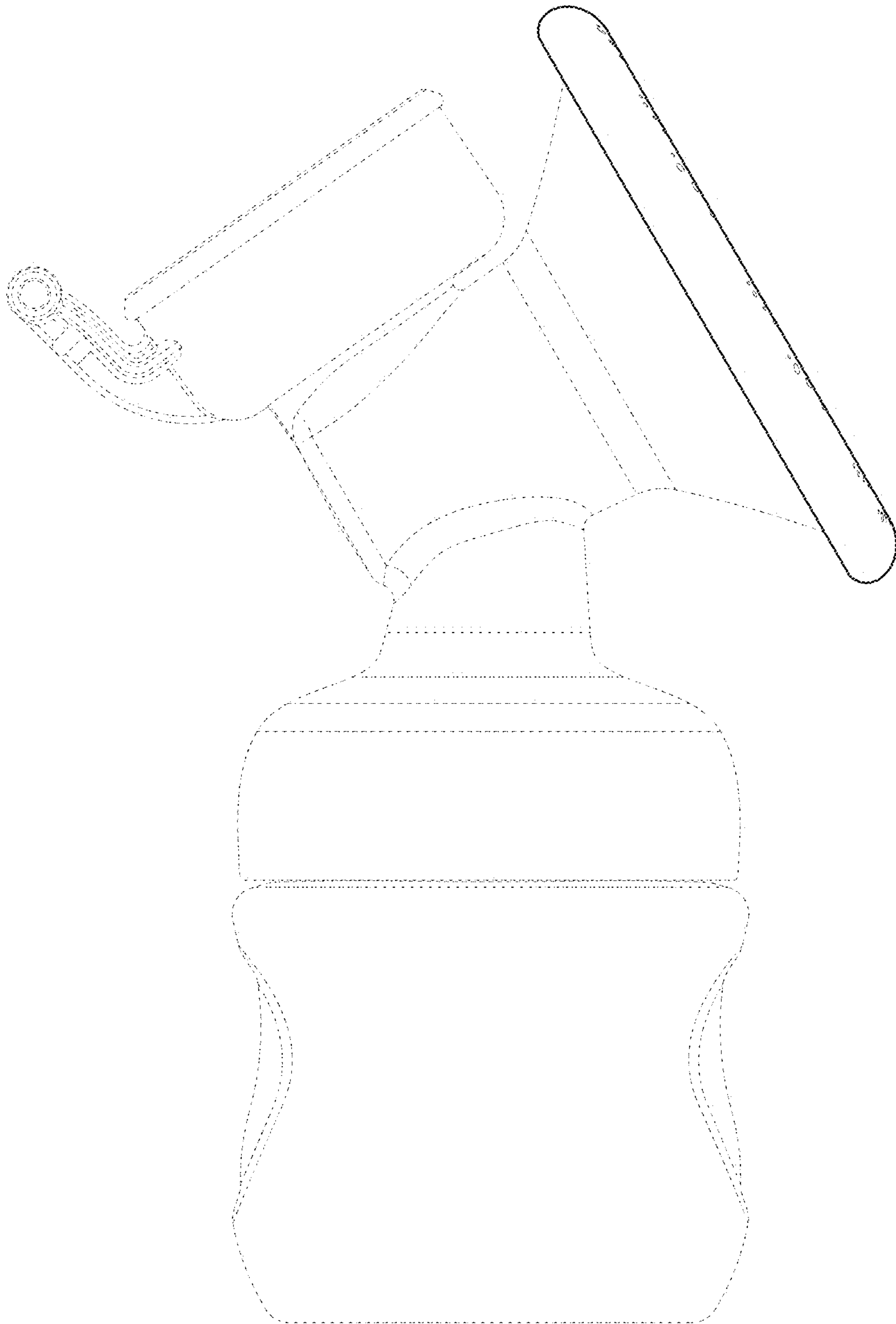


FIG. 11

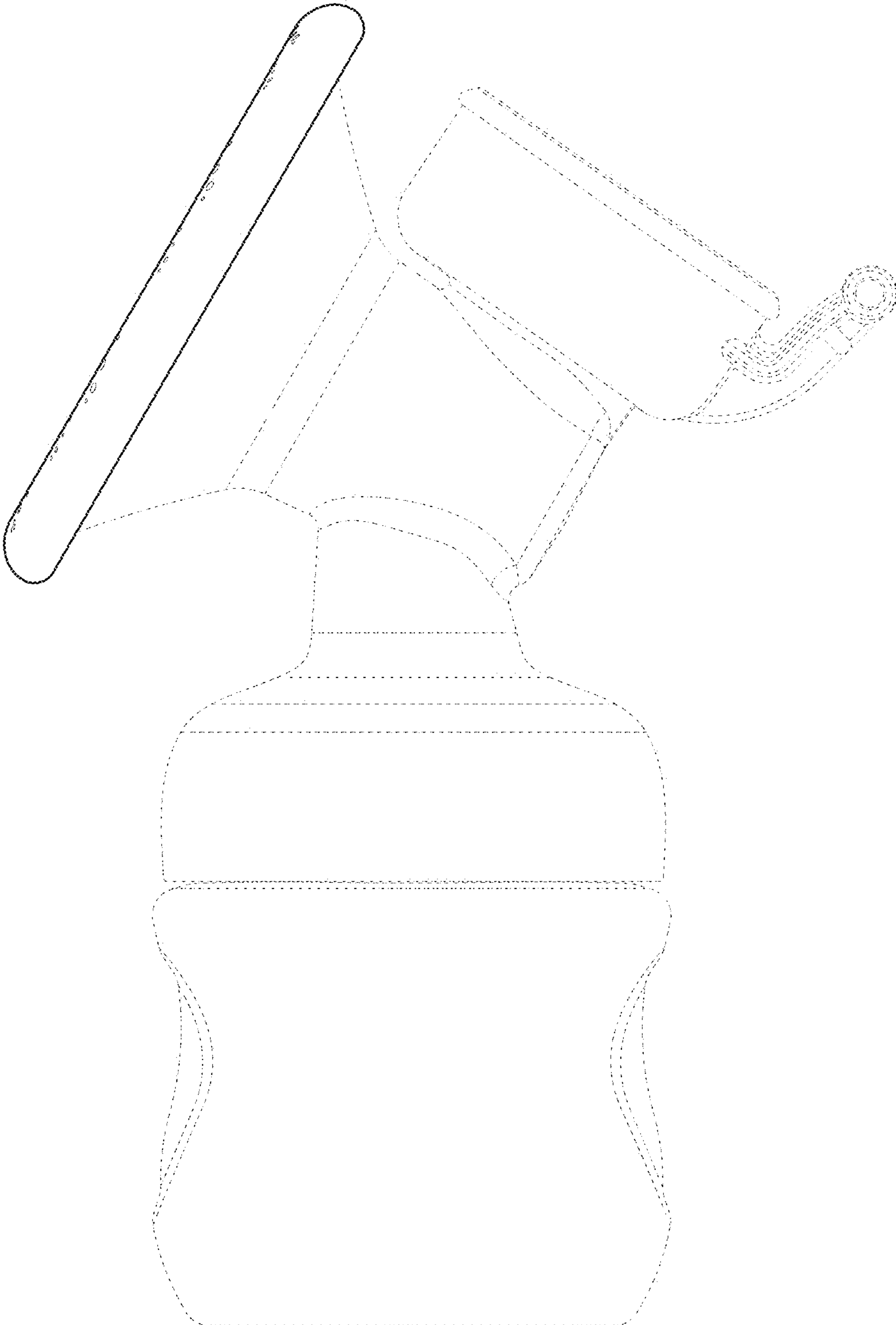


FIG. 12



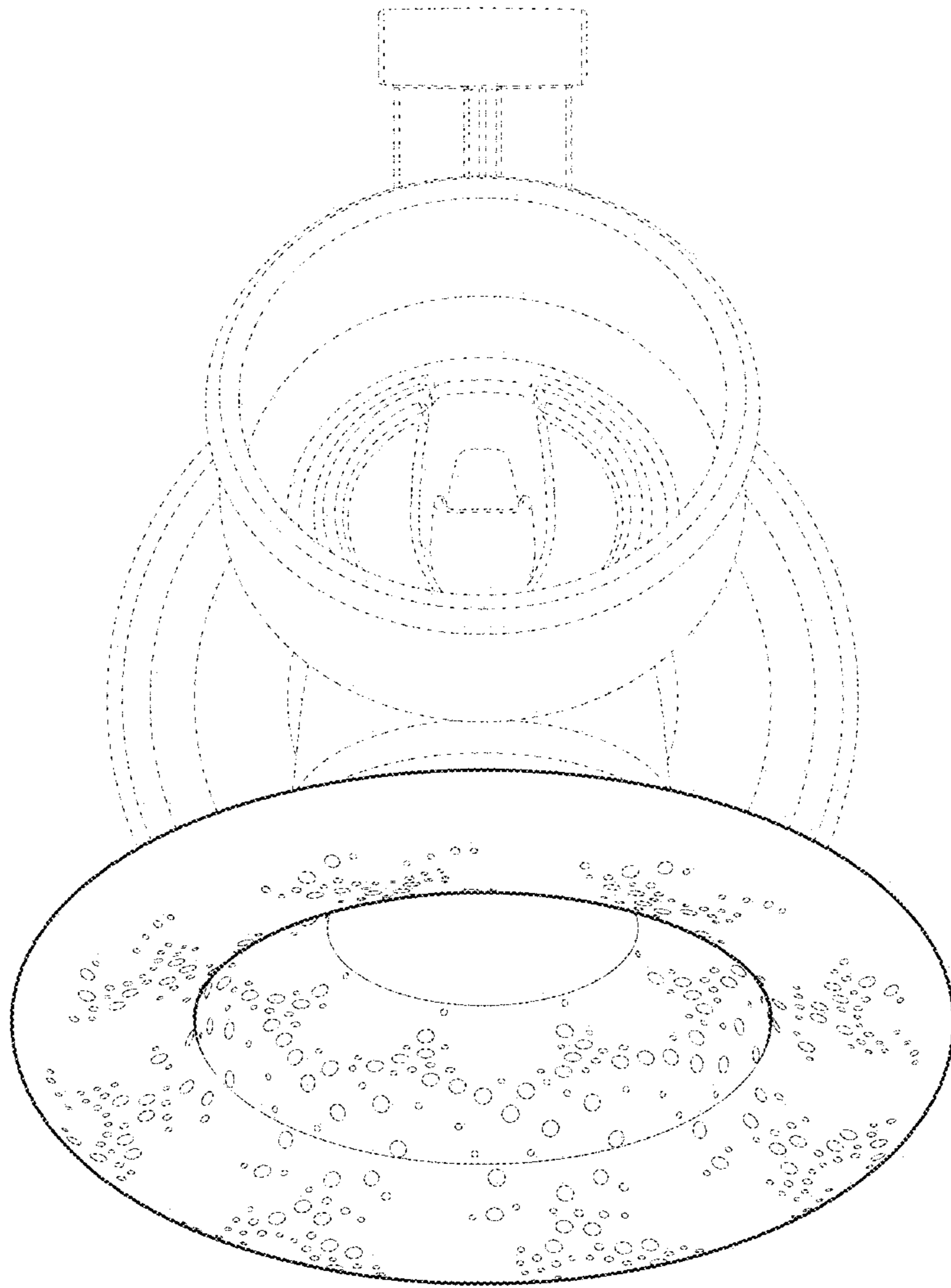


FIG. 13

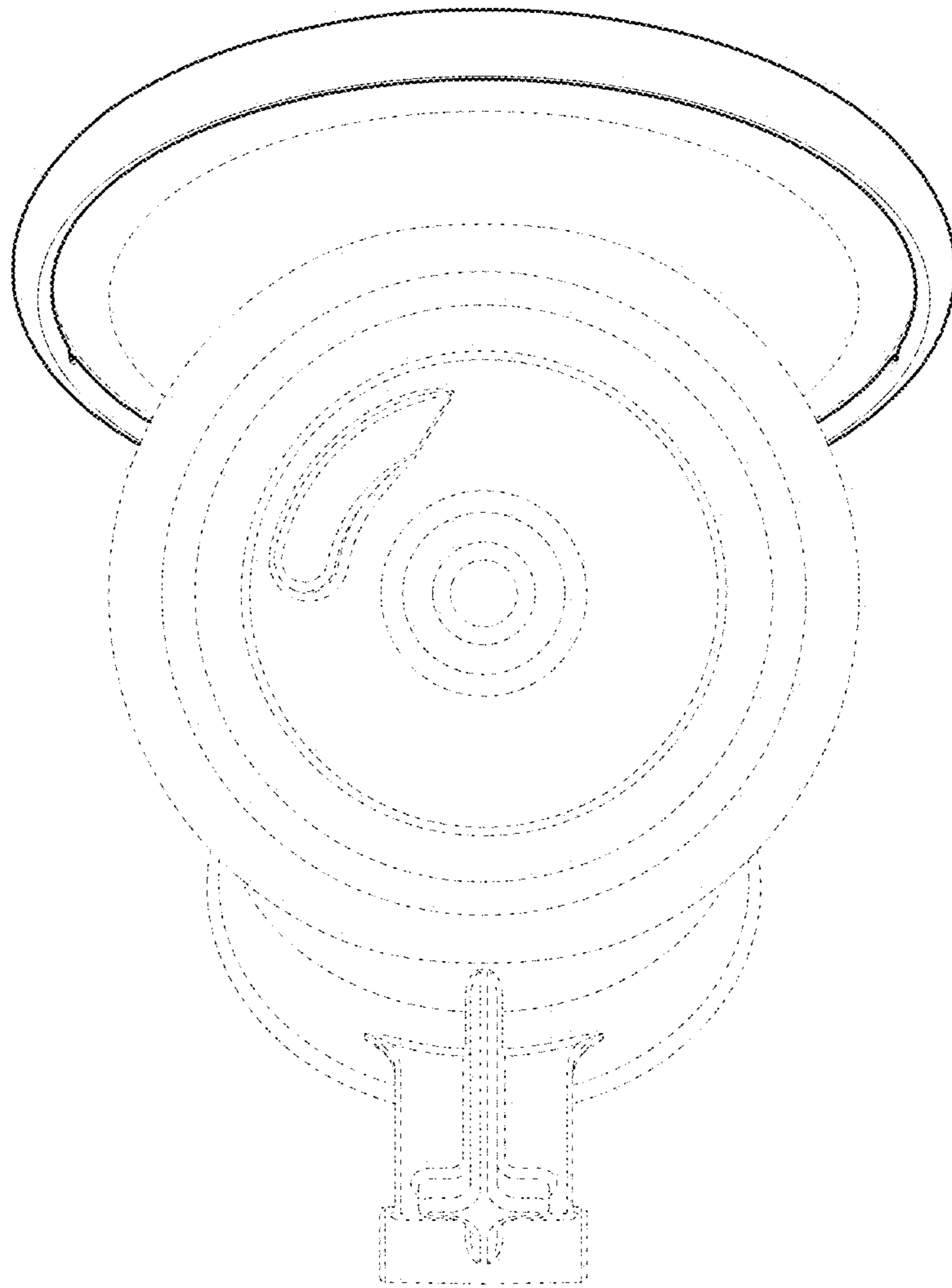


FIG. 14