



US00D941986S

(12) **United States Design Patent**
Cran et al.

(10) **Patent No.:** **US D941,986 S**

(45) **Date of Patent:** **** Jan. 25, 2022**

(54) **EARPLUG**

(71) Applicant: **MAKE GREAT SALES LIMITED,**
Wanchai (HK)

(72) Inventors: **Bruce Peter Cran,** Ho Chi Minh (VN);
Kin Choi Lee, Wanchai (HK)

(73) Assignee: **MAKE GREAT SALES LIMITED,**
Hong Kong (HK)

(**) Term: **15 Years**

(21) Appl. No.: **29/697,959**

(22) Filed: **Jul. 12, 2019**

(51) **LOC (13) Cl.** **24-04**

(52) **U.S. Cl.**
USPC **D24/106**

(58) **Field of Classification Search**
USPC D24/173-175, 106; D14/205, 223-226,
D14/249, 198, 244, 246; D8/310, 311,
D8/312; D22/108; D10/102, 38, 39;
D15/2; 128/864, 866, 867; 181/126,
181/129, 128, 130, 135
CPC A61F 11/08; A61F 11/10; A61F 2011/085;
H04R 1/1083; H04R 1/105
See application file for complete search history.

(56) **References Cited**

U.S. PATENT DOCUMENTS

D131,090 S * 1/1942 Schlage D8/312
2,688,678 A * 9/1954 Henderson H01R 33/9555
200/333
D231,316 S * 4/1974 Bienkowski D8/312
4,296,656 A * 10/1981 Ernst B25B 15/001
81/429
4,347,758 A * 9/1982 Geil G05G 1/04
74/531

D374,172 S * 10/1996 Frattarola D8/397
D386,429 S * 11/1997 Brodmann D10/30
D400,430 S * 11/1998 McDonough D8/387

(Continued)

FOREIGN PATENT DOCUMENTS

CN 301130736 * 2/2010
CN 304567744 * 4/2018

(Continued)

Primary Examiner — T Chase Nelson

Assistant Examiner — Amanda J Berlinski

(74) *Attorney, Agent, or Firm* — Onello & Mello, LLP

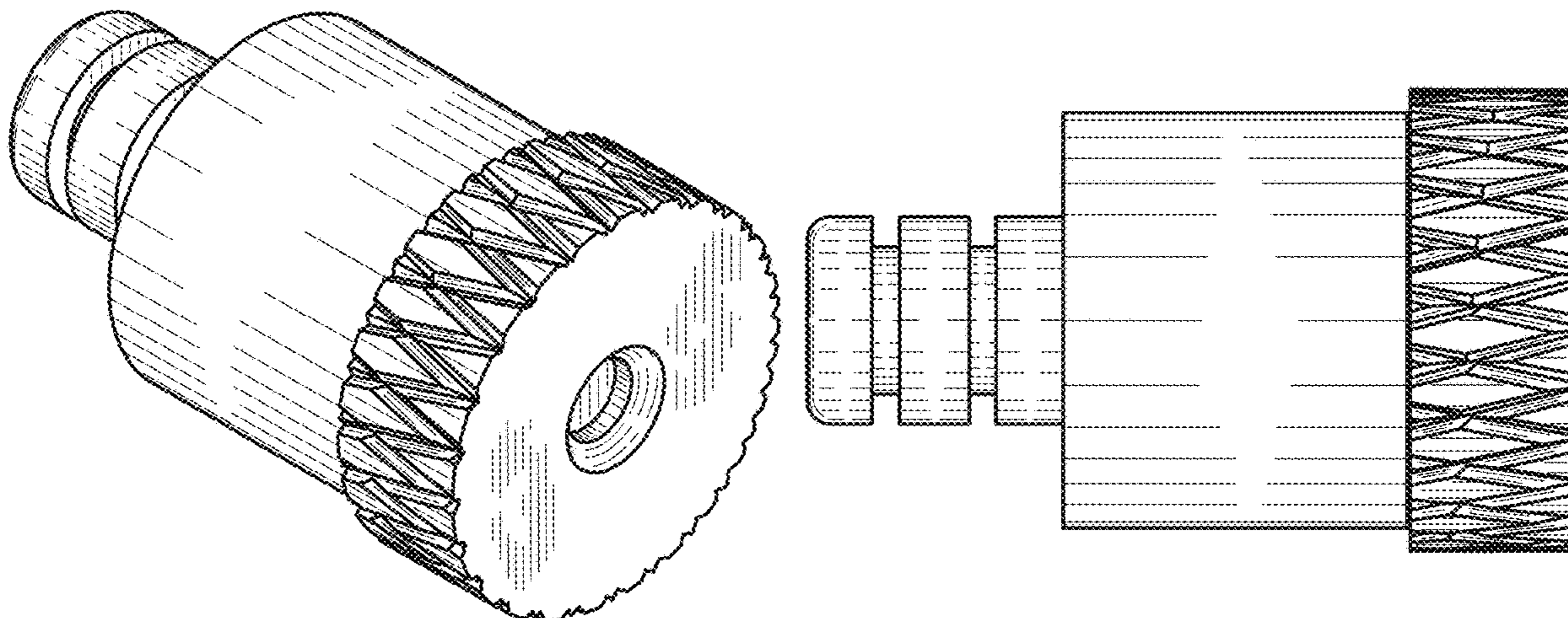
(57) **CLAIM**

The ornamental design for an earplug, as shown and described.

DESCRIPTION

FIG. 1 is a first isometric view of an earplug, in accordance with our design;
FIG. 2 is a top view of the earplug of FIG. 1;
FIG. 3 is a front view of the earplug of FIG. 1;
FIG. 4 is a right side view of the earplug of FIG. 1;
FIG. 5 is a left side view of the earplug of FIG. 1;
FIG. 6 is a rear view of the earplug of FIG. 1;
FIG. 7 is a bottom view of the earplug of FIG. 1;
FIG. 8 is a second isometric view of an earplug of FIG. 1;
FIG. 9 is a first isometric view of the earplug of FIG. 1 with a cap;
FIG. 10 is a rear view of the earplug of FIG. 9;
FIG. 11 is a top view of the earplug of FIG. 9;
FIG. 12 is a right side view of the earplug of FIG. 9;
FIG. 13 is a left side view of the earplug of FIG. 9;
FIG. 14 is a bottom view of the earplug of FIG. 9;
FIG. 15 is a front view of the earplug of FIG. 9; and,
FIG. 16 is a second isometric view of the earplug of FIG. 9.
In the drawings, the broken lines illustrate environment and features of the earplug which form no part of the claimed design.

1 Claim, 5 Drawing Sheets



(56)

References Cited

U.S. PATENT DOCUMENTS

D414,359 S * 9/1999 Scholey D6/515
 D437,627 S * 2/2001 McLaren D22/100
 D448,682 S * 10/2001 Sato D10/39
 D489,602 S * 5/2004 Menta D8/387
 D492,895 S * 7/2004 Ellis D8/387
 D502,644 S * 3/2005 Ellis D8/382
 D513,237 S * 12/2005 Langner D13/174
 D571,353 S * 6/2008 Fukutake D14/188
 D584,398 S * 1/2009 Benner D24/106
 D589,135 S * 3/2009 Benner D24/106
 D590,055 S * 4/2009 Butler D24/106
 D595,268 S * 6/2009 Kolton D14/205
 D624,023 S * 9/2010 Rodrigues D13/154
 D627,338 S * 11/2010 Koss D14/223
 D628,993 S * 12/2010 Steyn D14/225
 D629,430 S * 12/2010 Harada D15/138
 D653,236 S * 1/2012 Andre D14/205
 D656,922 S * 4/2012 Massaro D14/223
 D659,219 S * 5/2012 Coulter D22/108
 D667,818 S * 9/2012 Sogabe D14/223
 D674,904 S * 1/2013 Aunio D24/210
 D677,248 S * 3/2013 Yoon D14/223
 D682,413 S * 5/2013 Gross D24/106

D745,849 S * 12/2015 Hannah D13/151
 D761,414 S * 7/2016 Pick D24/106
 D773,001 S * 11/2016 Sweney D22/108
 D810,272 S * 2/2018 Rappaport D24/106
 D813,845 S * 3/2018 Katopis D14/223
 D831,832 S * 10/2018 Rappaport A61F 11/08
 D831,879 S * 10/2018 Minale D26/113
 D850,419 S * 6/2019 Shin D14/223
 D869,406 S * 12/2019 Minale D13/169
 D874,600 S * 2/2020 Cole D22/108
 D927,632 S * 8/2021 Li D22/108
 2007/0092094 A1 * 4/2007 Gilbertson H04R 25/656
 381/328
 2015/0237439 A1 * 8/2015 Koss H04R 3/00
 381/74
 2017/0119584 A1 * 5/2017 Ingalls A61F 11/08
 2018/0263822 A1 * 9/2018 Rappaport A61F 11/08
 2020/0016005 A1 * 1/2020 Roberts A61F 11/08
 2021/0176553 A1 * 6/2021 Hill H04R 1/1016

FOREIGN PATENT DOCUMENTS

CN 305889683 * 6/2020
 KR 300944943.0000 * 2/2018

* cited by examiner

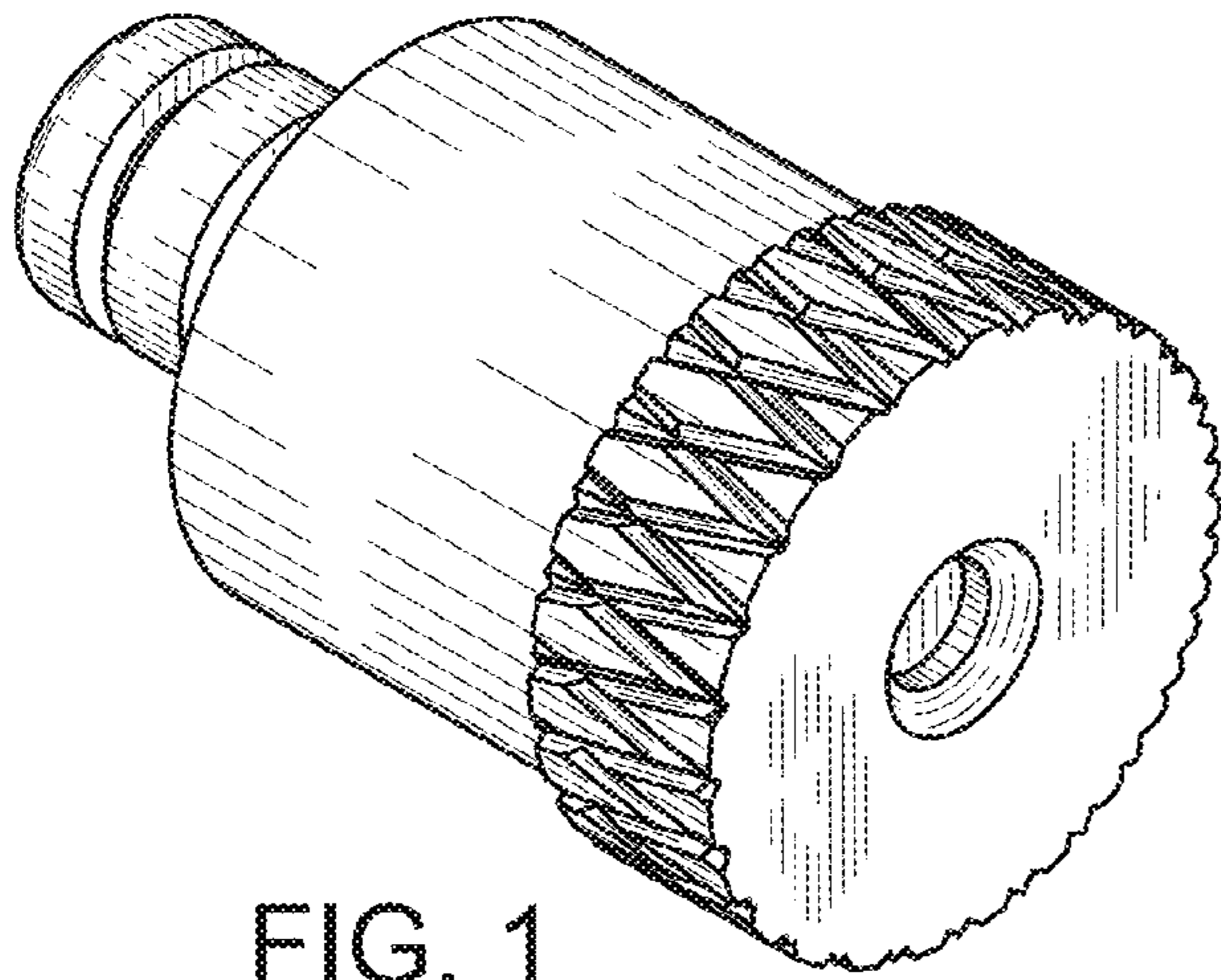


FIG. 1

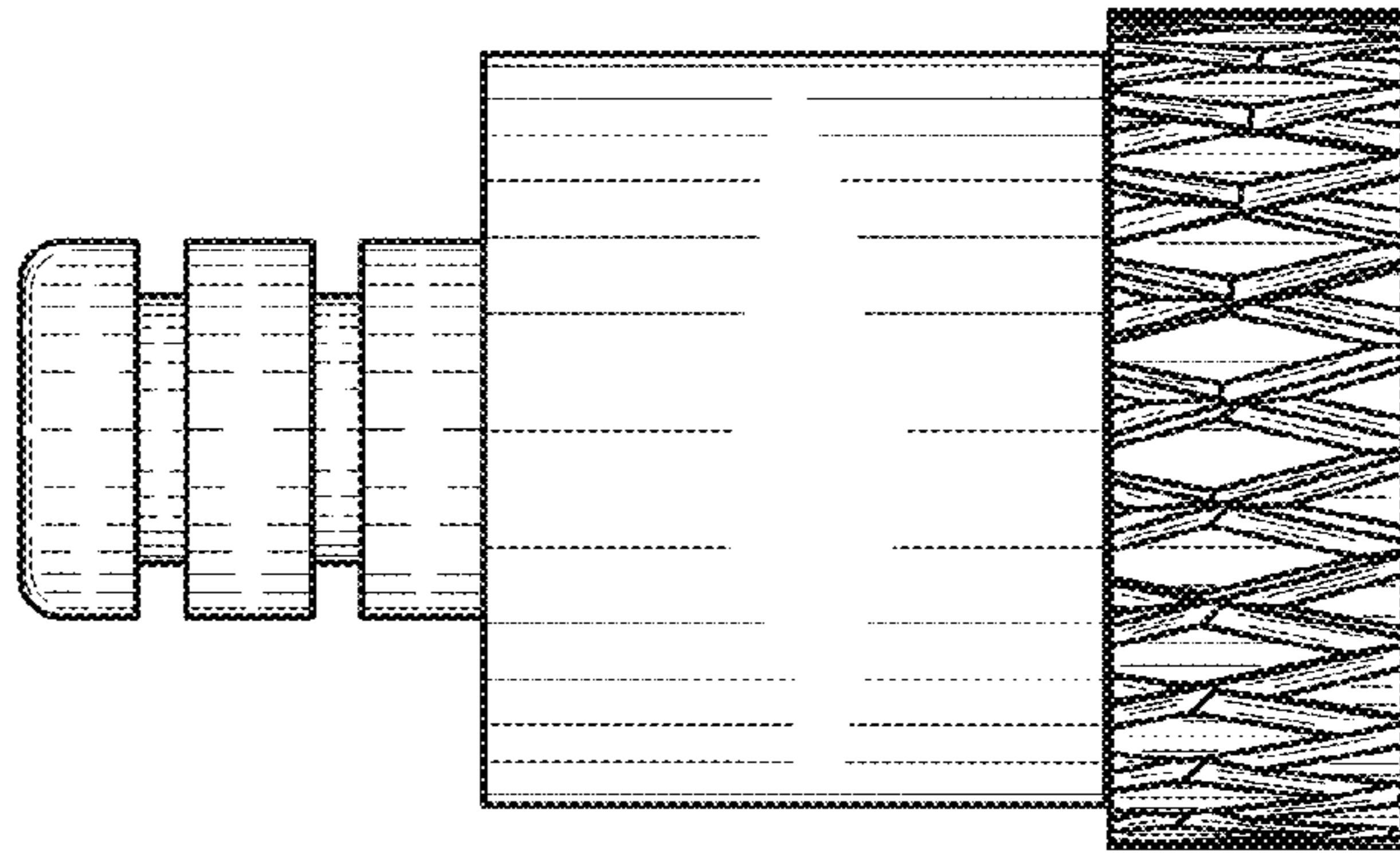


FIG. 2

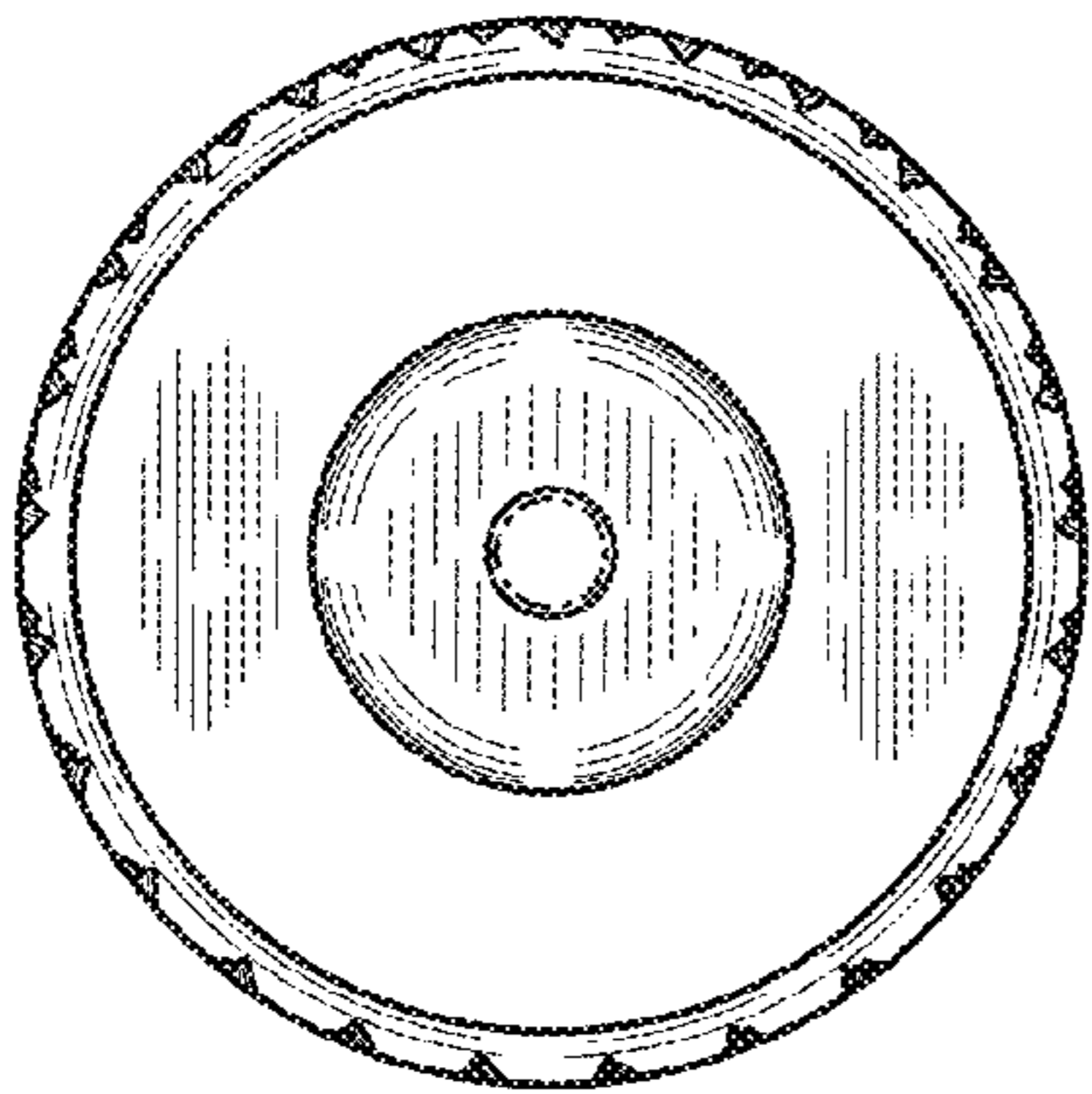


FIG. 3

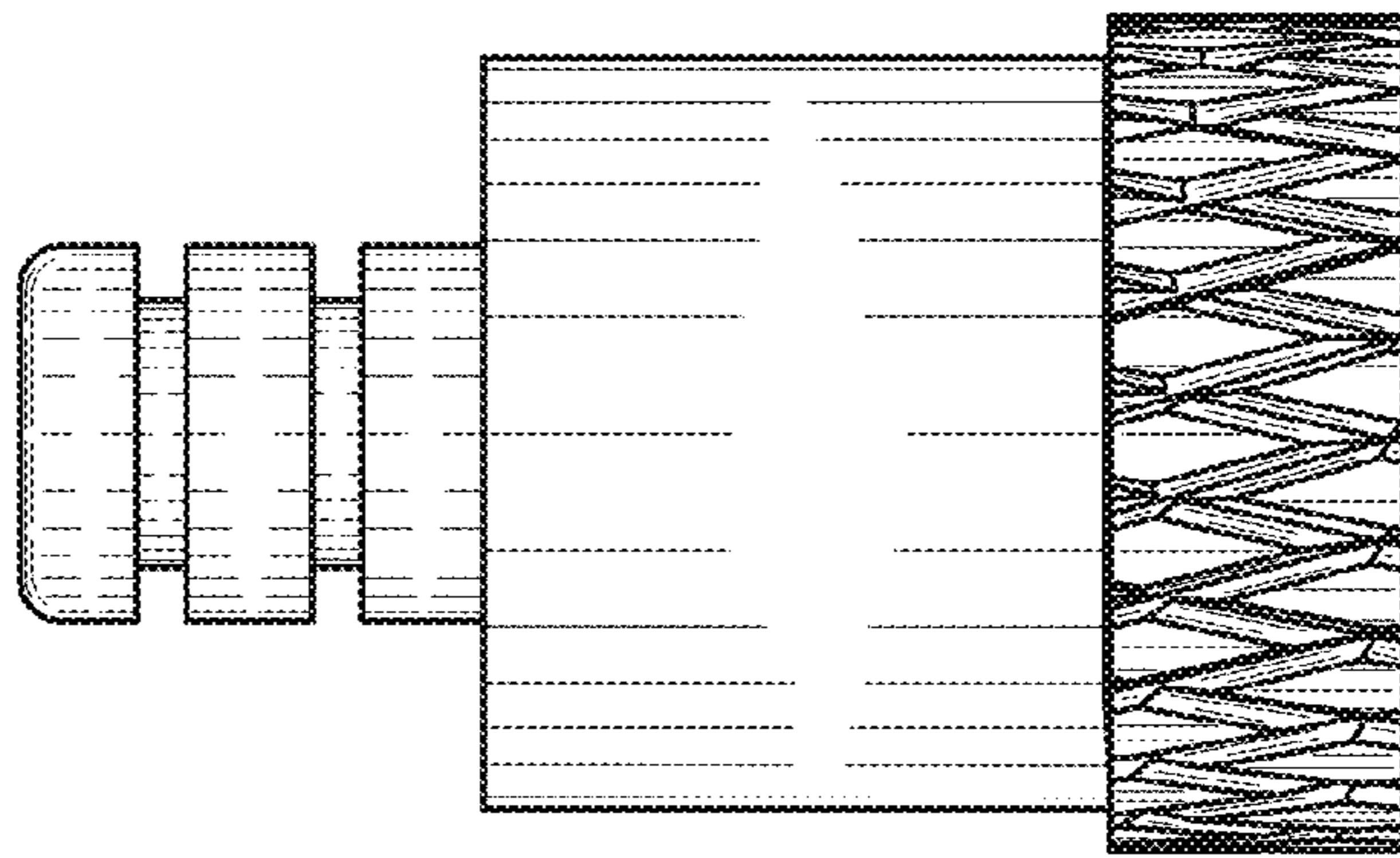


FIG. 4

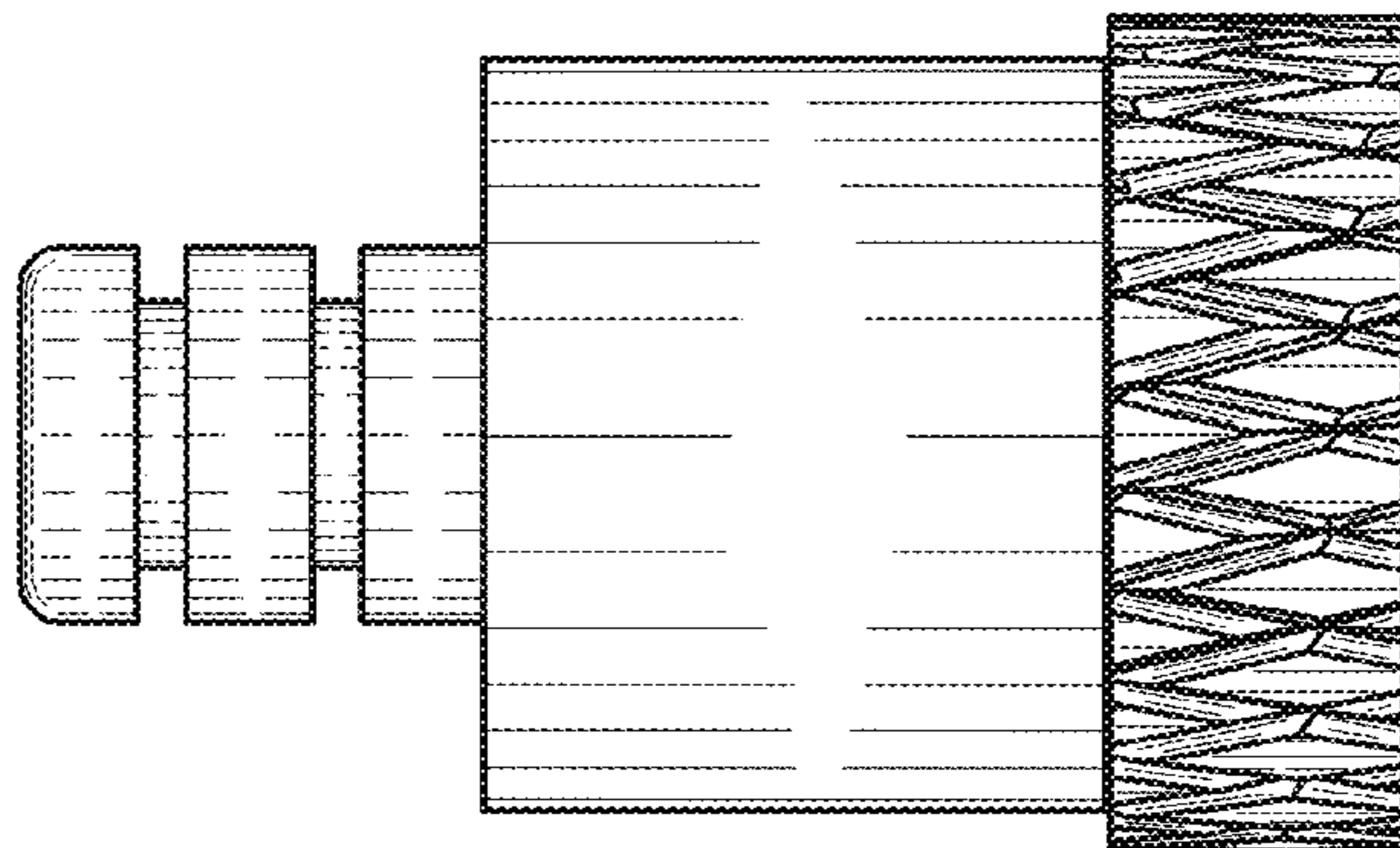


FIG. 5

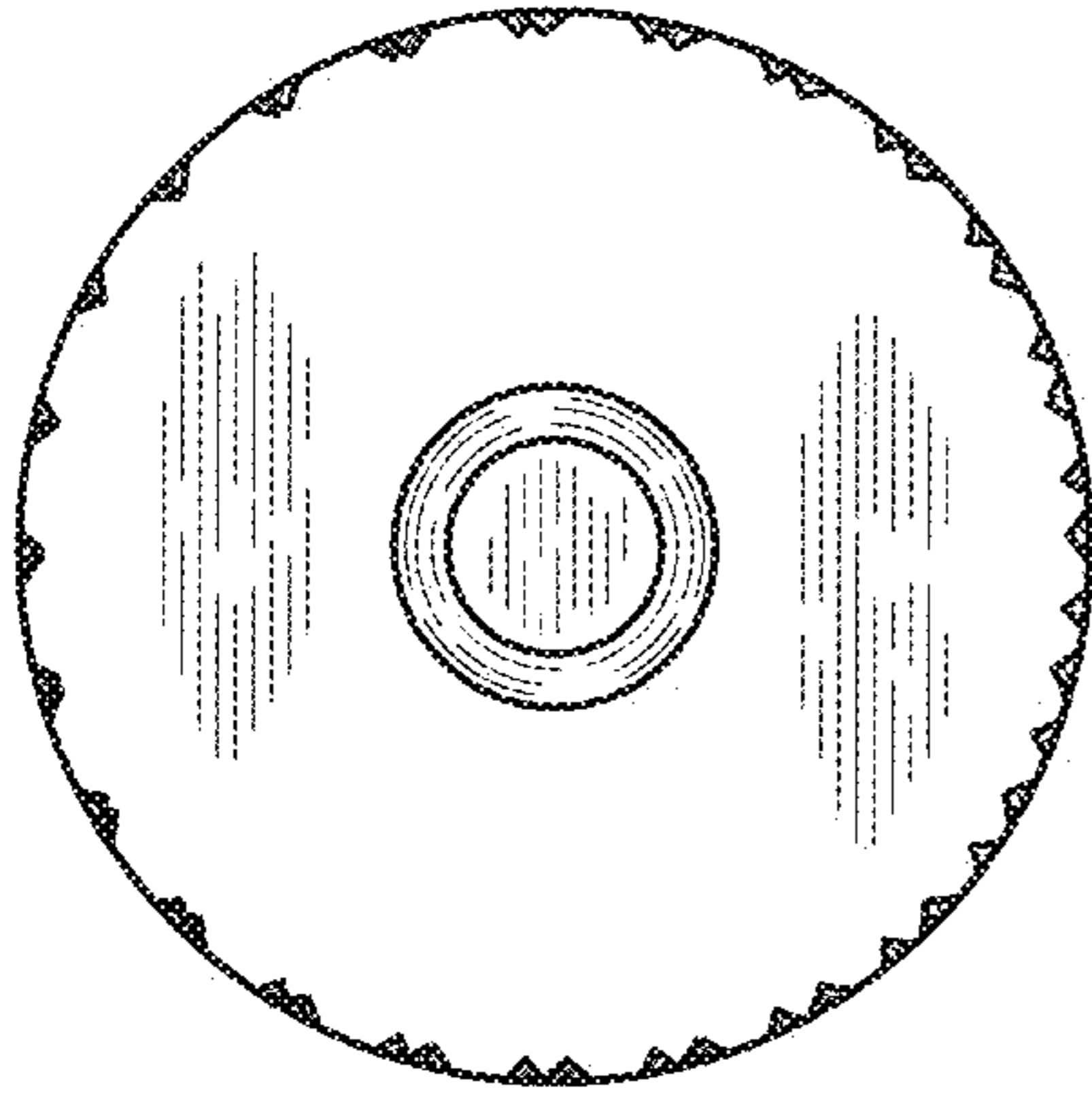


FIG. 6

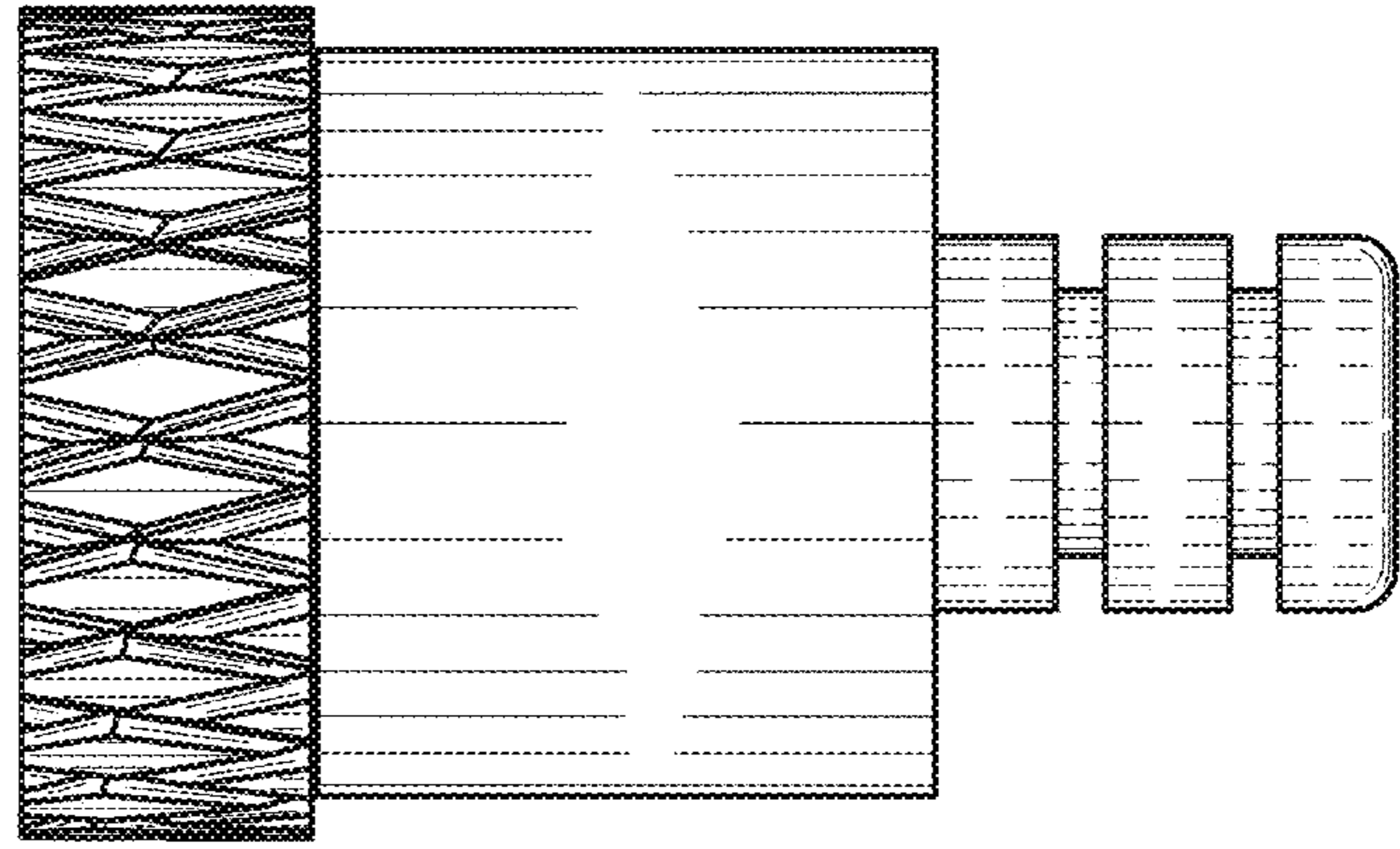


FIG. 7

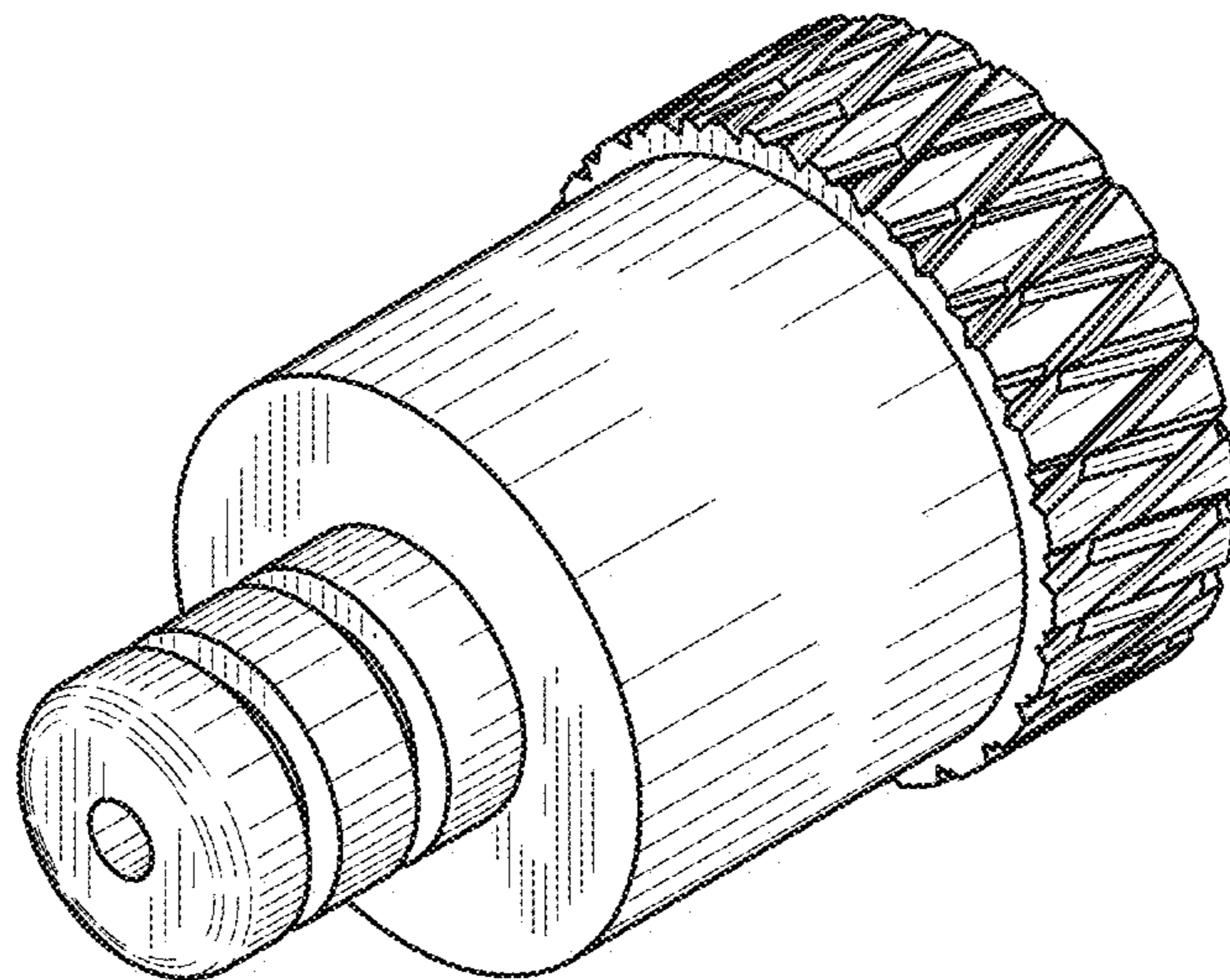


FIG. 8

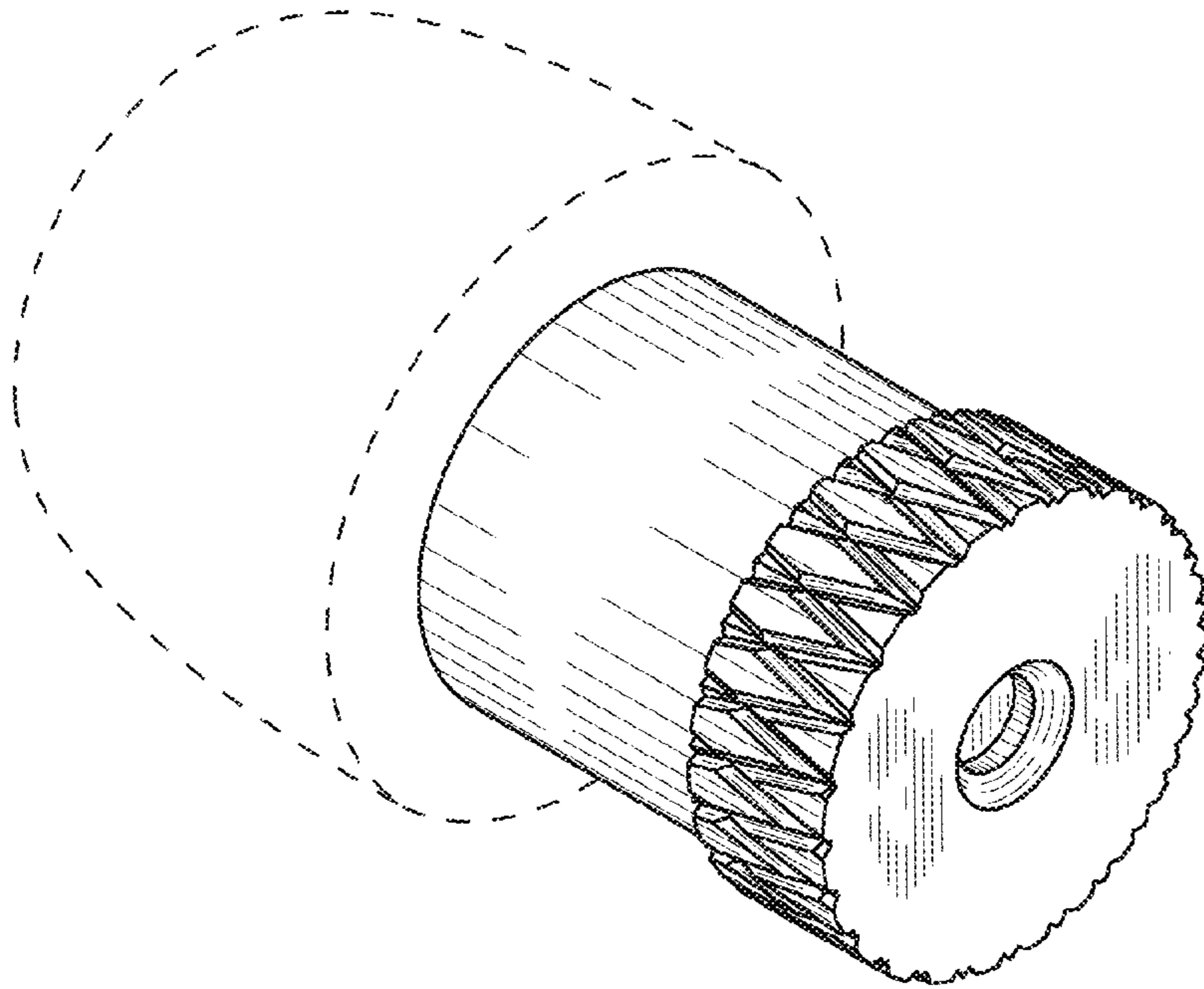


FIG. 9

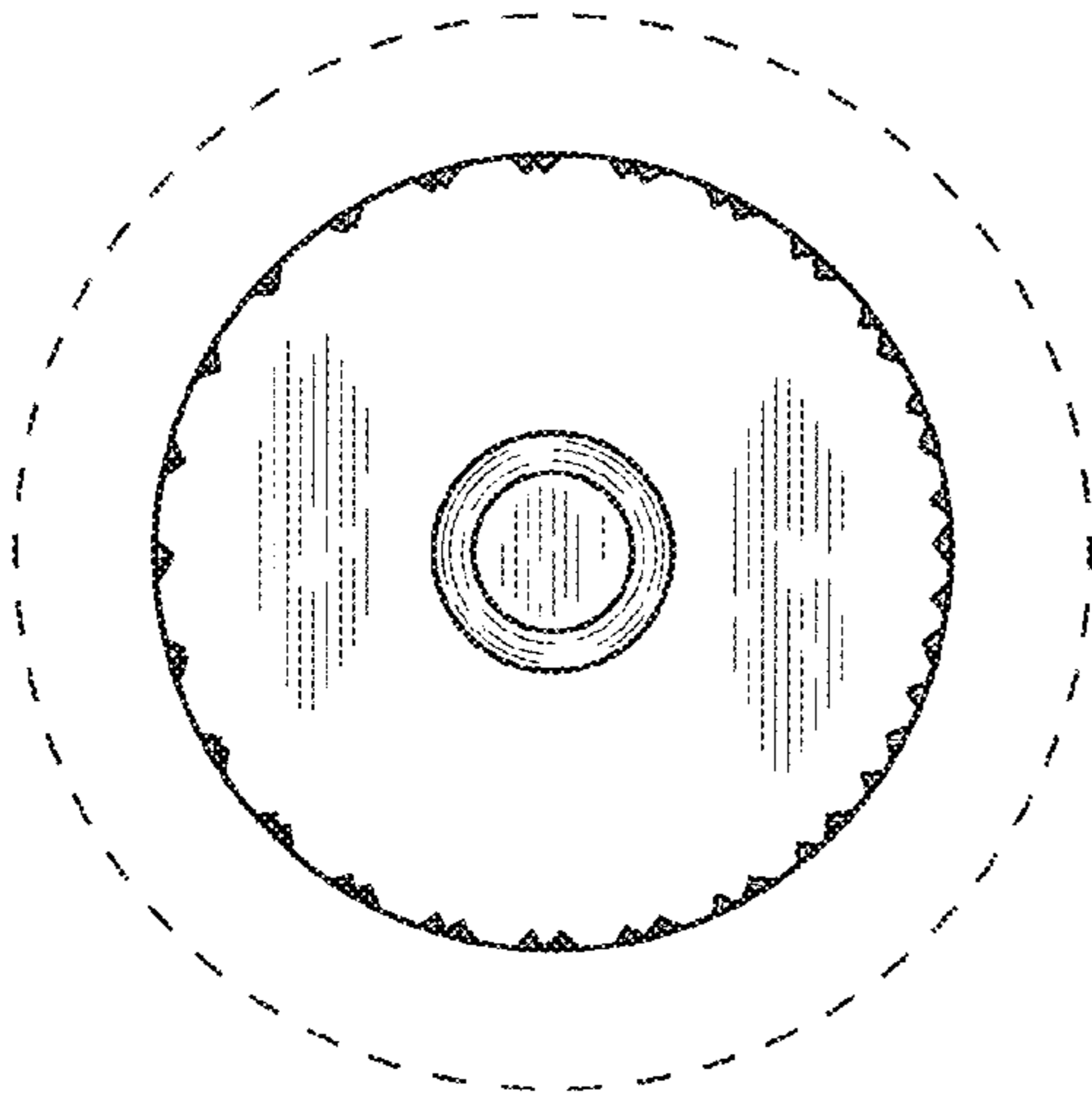


FIG. 10

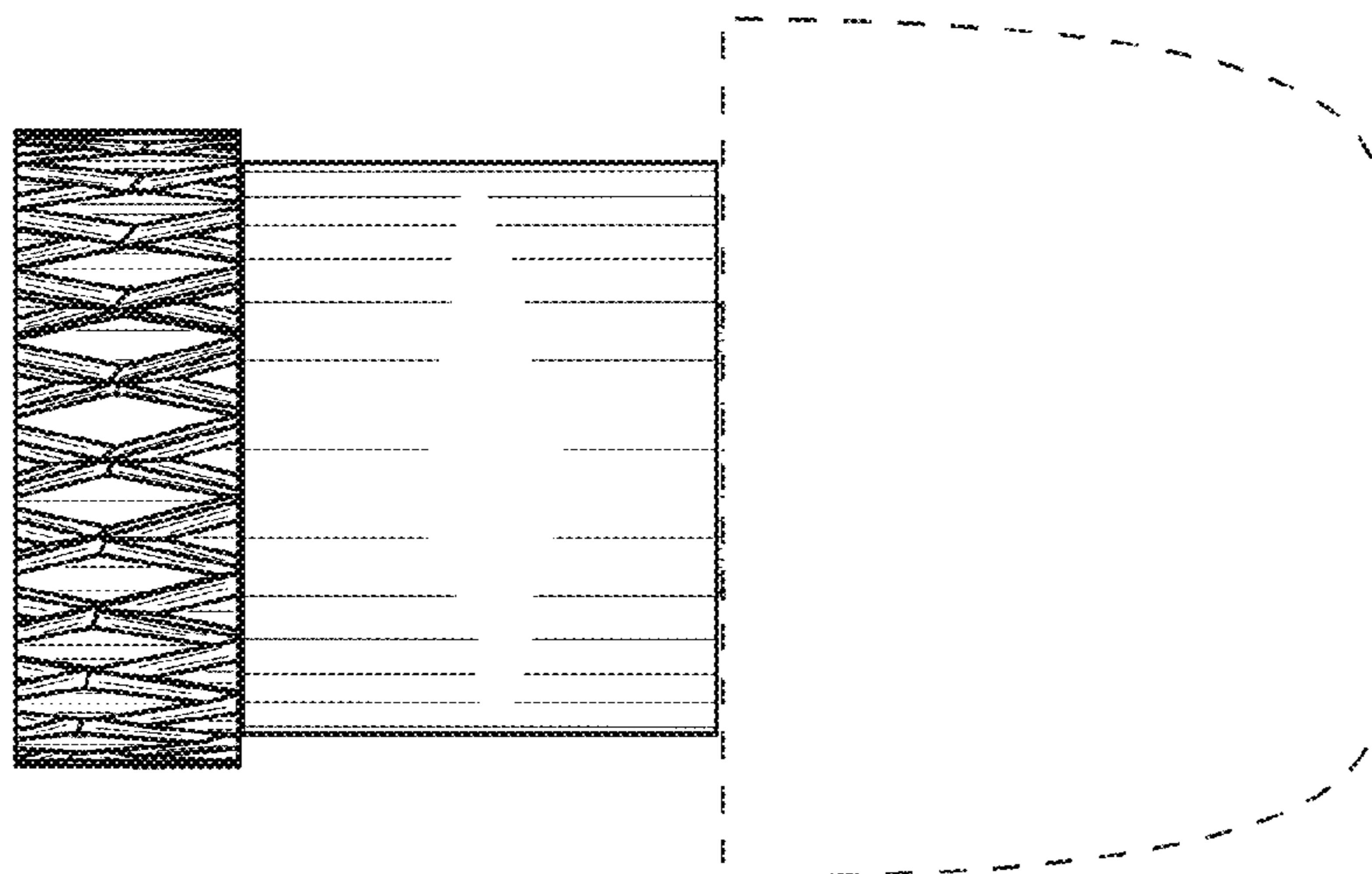


FIG. 11

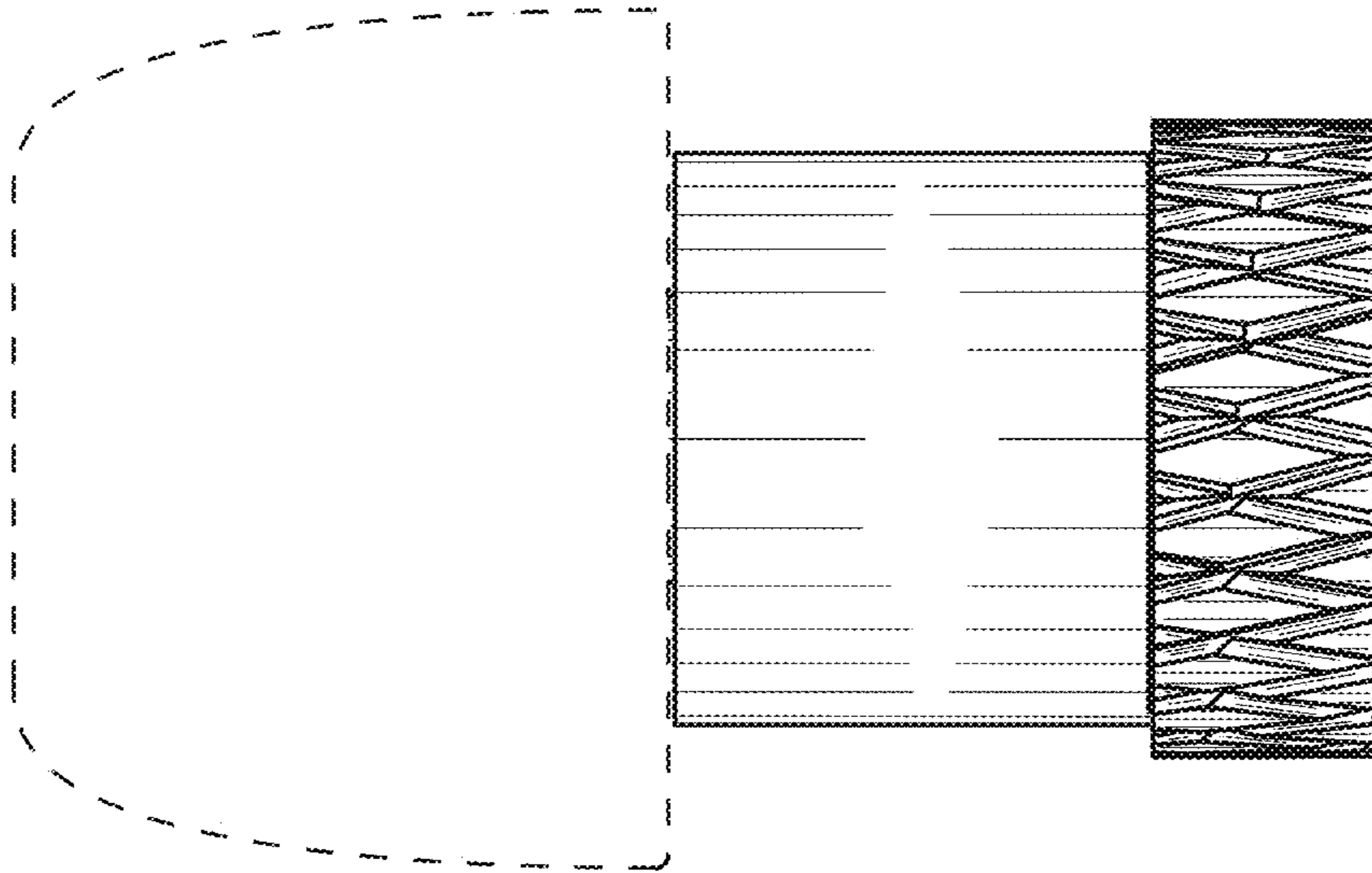


FIG. 12

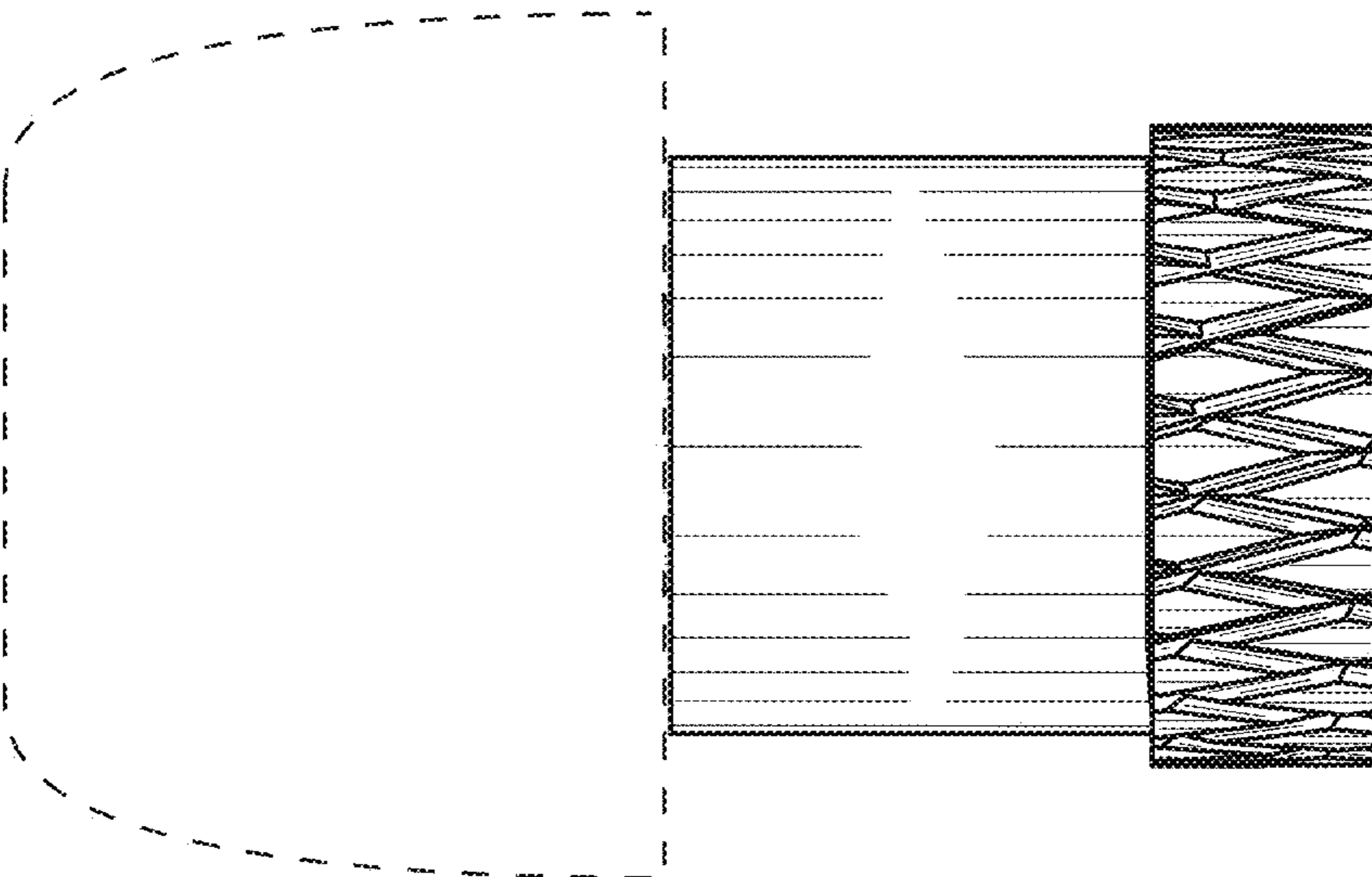


FIG. 13

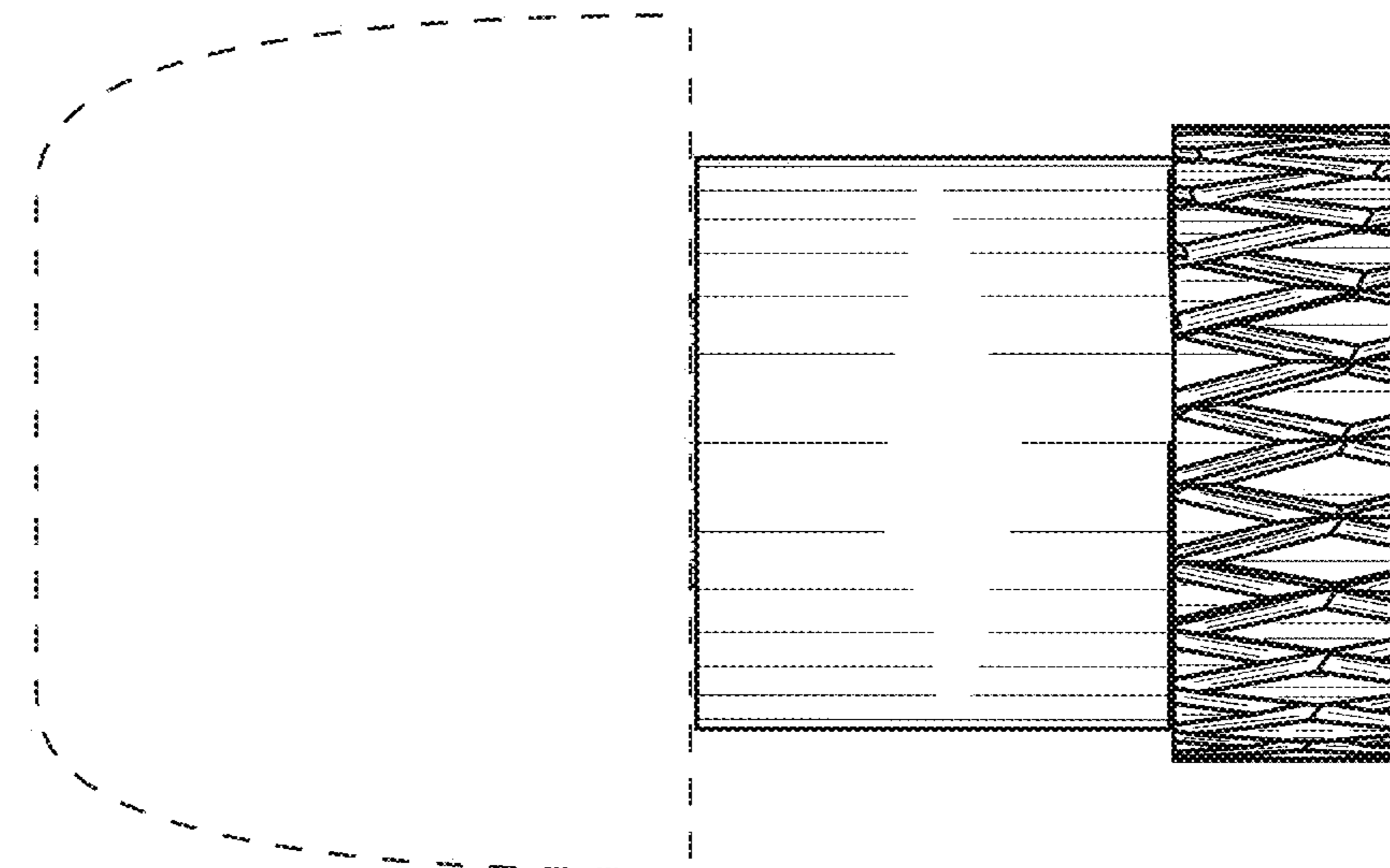


FIG. 14

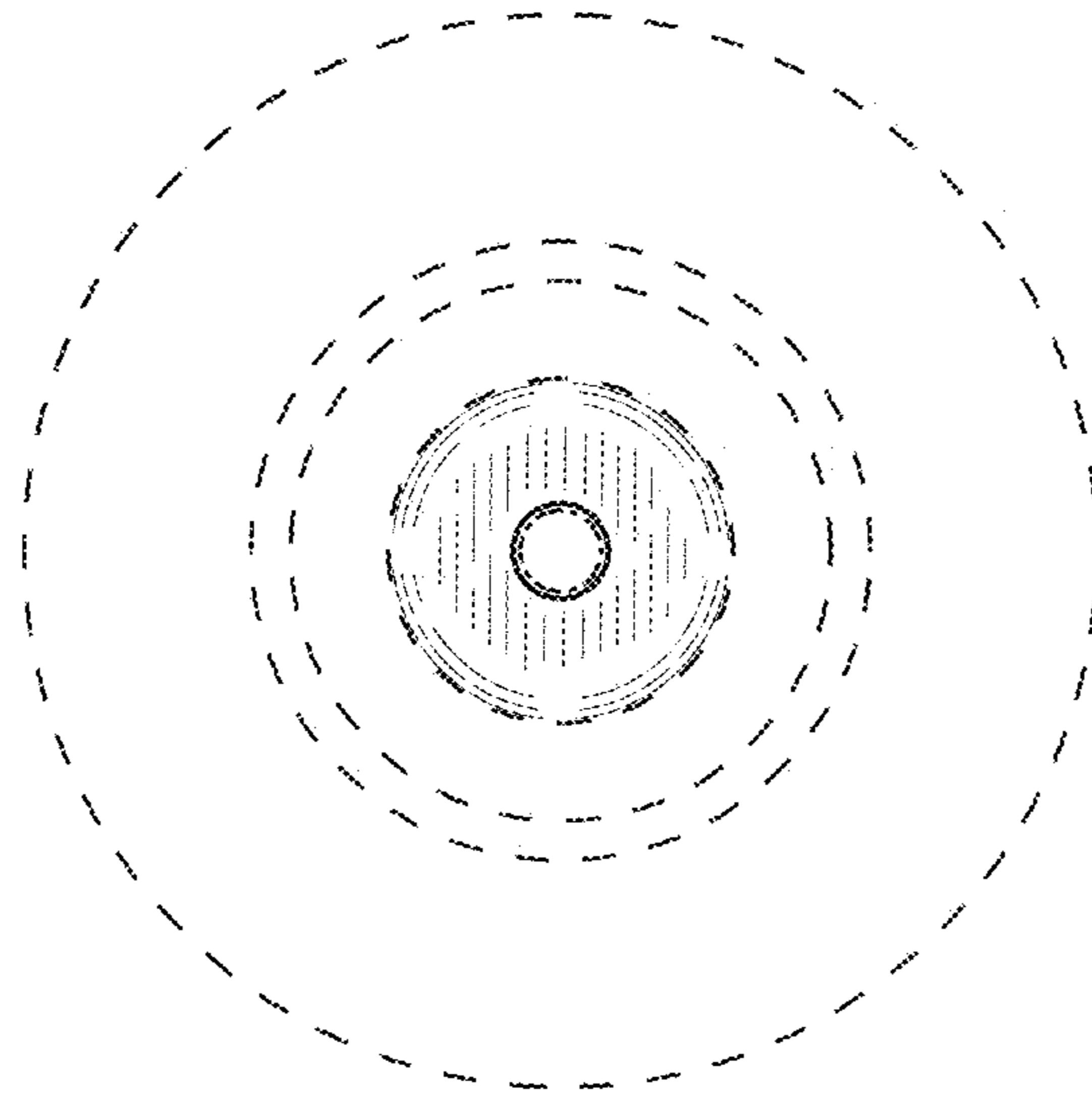


FIG. 15

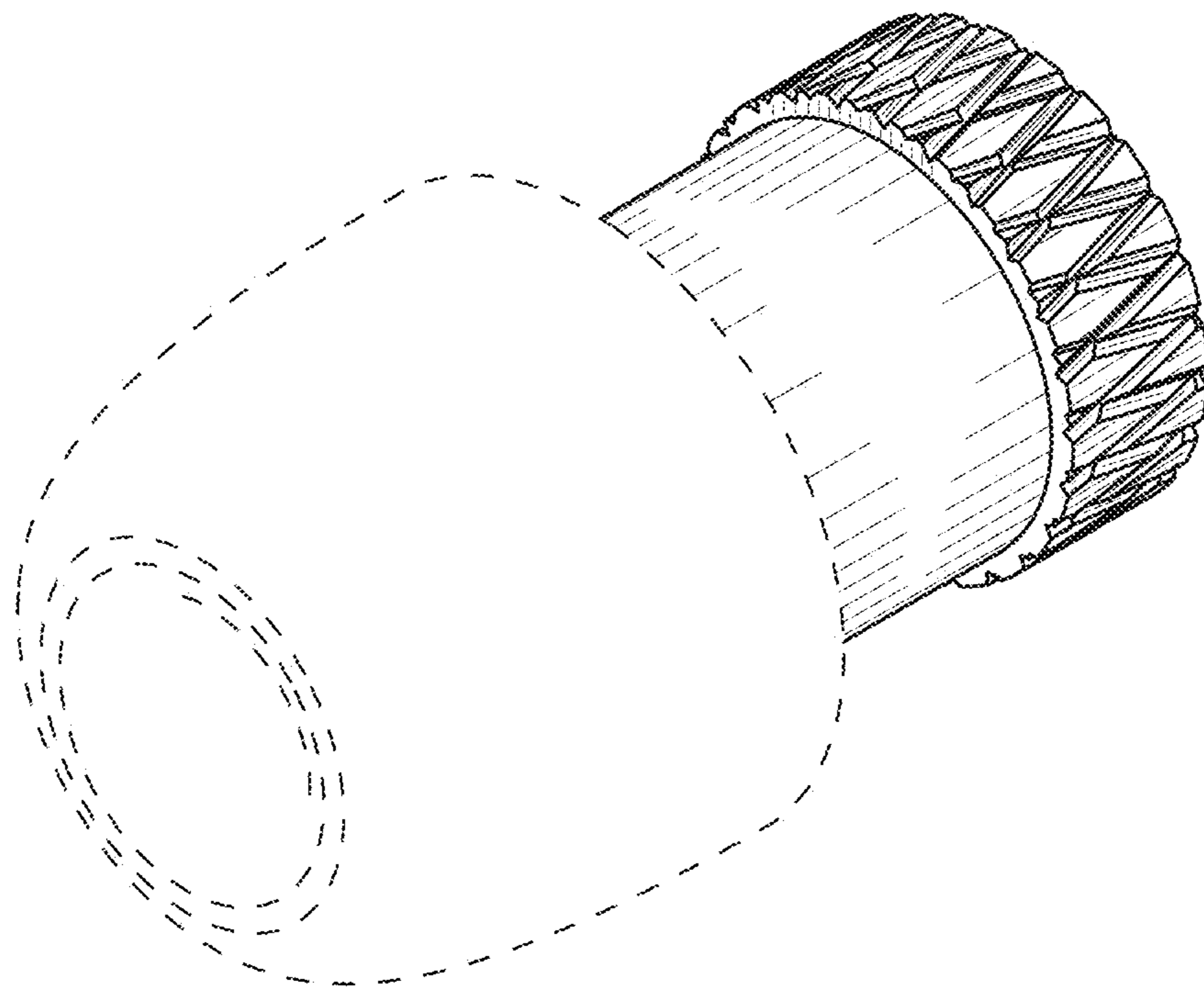


FIG. 16