



US00D941984S

(12) **United States Design Patent**
Haggar

(10) **Patent No.:** **US D941,984 S**
(45) **Date of Patent:** **** Jan. 25, 2022**

(54) **COMBINATION CEILING FAN MOTOR HOUSING AND LIGHT FIXTURE**

(71) Applicant: **HUNTER FAN COMPANY**,
Memphis, TN (US)

(72) Inventor: **Alexander Jonathan Haggar**,
Memphis, TN (US)

(73) Assignee: **Hunter Fan Company**, Memphis, TN
(US)

(**) Term: **15 Years**

(21) Appl. No.: **29/781,963**

(22) Filed: **May 3, 2021**

Related U.S. Application Data

(63) Continuation of application No. 29/713,245, filed on Nov. 14, 2019, now Pat. No. Des. 921,881, which is a continuation of application No. 29/593,483, filed on Feb. 9, 2017, now Pat. No. Des. 875,914.

(51) **LOC (13) Cl.** **23-04**

(52) **U.S. Cl.**
USPC **D23/411**

(58) **Field of Classification Search**
USPC D23/370, 377, 385, 411, 413; D26/59,
D26/88, 89, 67, 104, 118, 129
CPC .. F04D 25/088; F04D 29/005; F04D 29/4226;
F21V 33/0096; F21V 21/03; F21V 21/02;
F21V 3/02
See application file for complete search history.

(56) **References Cited**

U.S. PATENT DOCUMENTS

D297,974 S 10/1988 Sonneman
D298,052 S 10/1988 Sonneman
D328,491 S 8/1992 Markwardt
D328,785 S 8/1992 Markwardt

D333,867 S 3/1993 Markwardt
D345,790 S 4/1994 Caldwell
D510,425 S 10/2005 Young
D547,436 S 7/2007 Shurtleff
D607,600 S 1/2010 Keith
D627,874 S 11/2010 Pan
D628,688 S 12/2010 Pan
D632,381 S 2/2011 Davenport et al.
D638,926 S 5/2011 Frampton
D707,336 S 6/2014 Pan
D744,634 S 12/2015 Wang
D745,956 S 12/2015 Ertze

(Continued)

OTHER PUBLICATIONS

<http://fwww.montecarlofans.com/50453/56-Vision-Max---Rubberized-White-3VNMR56RZWD.html>, Item Specification or the Monte Carlo Vision Max Collection, Model No. 3VNMR56RZWD, accessed Feb. 7, 2017.

(Continued)

Primary Examiner — Janice Hallmark

(74) *Attorney, Agent, or Firm* — McGarry Bair PC

(57) **CLAIM**

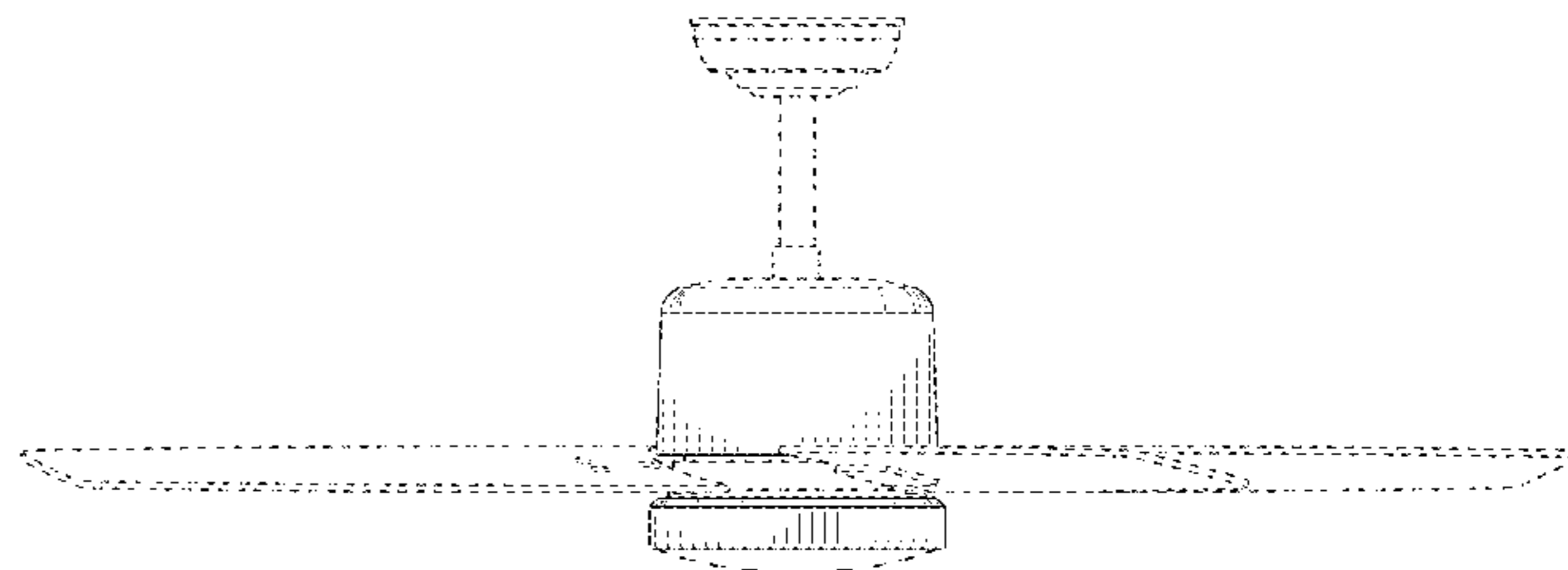
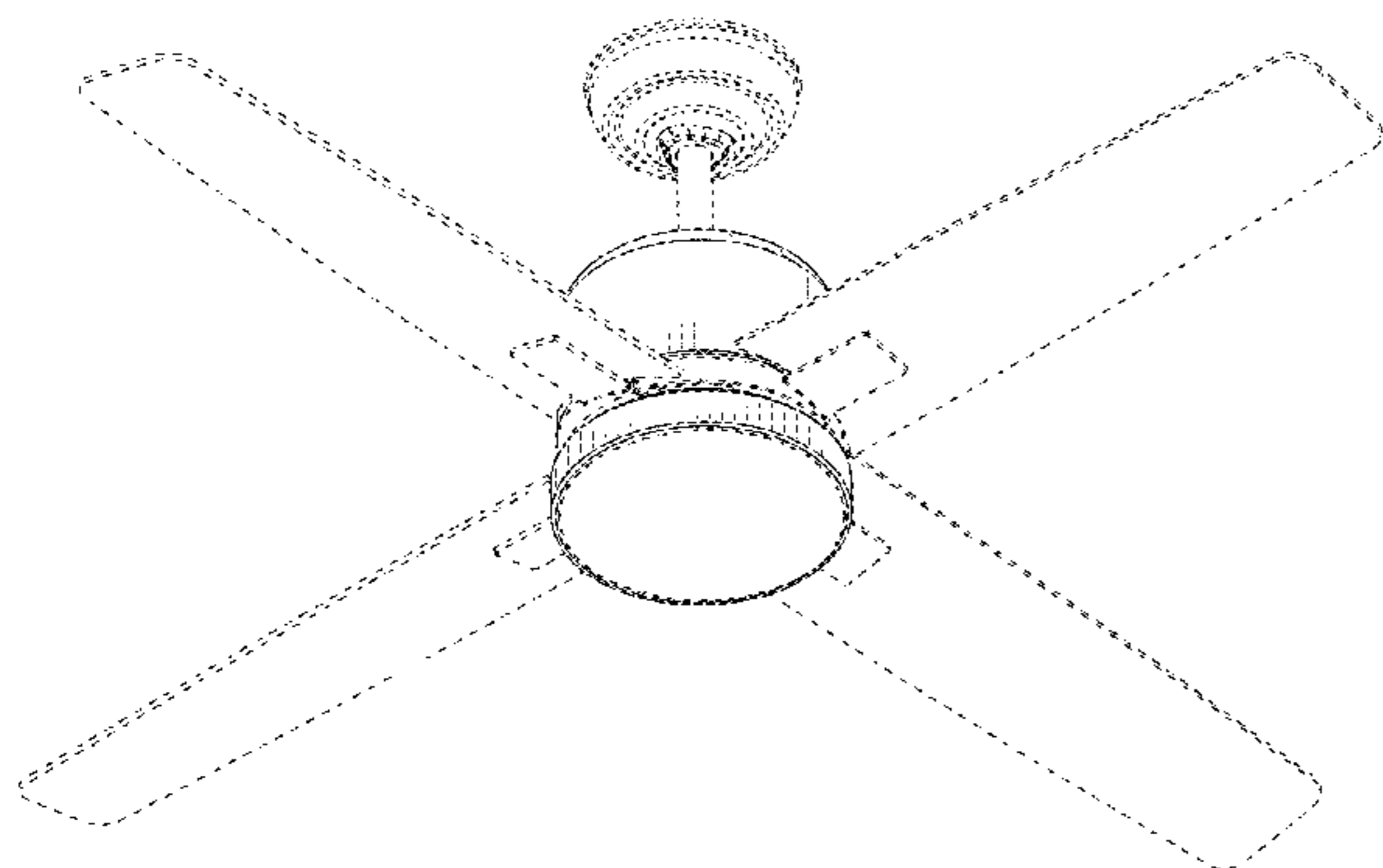
The ornamental design for a combination ceiling fan motor housing and light fixture, as shown and described.

DESCRIPTION

FIG. 1 is a top perspective view of a combination ceiling fan motor housing and light fixture, showing my new design; FIG. 2 is a bottom perspective view thereof; FIG. 3 is a top view thereof; FIG. 4 is a bottom view thereof; and, FIG. 5 is a side view thereof.

Portions of the combination ceiling fan motor housing and light fixture shown in broken line and ceiling fan environmental subject matter shown in broken line form no part of the claimed design.

1 Claim, 5 Drawing Sheets



(56)

References Cited

U.S. PATENT DOCUMENTS

D750,221 S 2/2016 Schulzman
 D760,368 S 6/2016 Chen
 D771,794 S 11/2016 Wang
 D782,644 S 3/2017 Wang
 D795,411 S * 8/2017 Wang D23/377
 D795,412 S 8/2017 Schulzman
 D795,413 S 8/2017 Wang
 D796,659 S 9/2017 Schulzman
 D799,661 S 10/2017 Holmes
 D799,665 S 10/2017 Wang
 D800,291 S 10/2017 Wang
 D800,891 S 10/2017 McRoberts et al.
 D802,114 S 11/2017 Busta
 D804,010 S 11/2017 Guthrie
 D804,629 S 12/2017 McRoberts et al.
 D804,630 S 12/2017 Holmes et al.
 D805,174 S * 12/2017 Guthrie D23/377
 D805,175 S 12/2017 Hagggar
 D809,118 S 1/2018 Guthrie et al.
 D809,644 S * 2/2018 Holmes D23/377
 D810,915 S 2/2018 Guthrie et al.
 D810,920 S 2/2018 Hagggar
 D831,187 S 10/2018 Schulzman
 D834,696 S 11/2018 Schulzman
 D844,769 S * 4/2019 McRoberts D23/411
 D851,235 S 6/2019 Hidalgo
 D855,788 S 8/2019 Hagggar
 D855,789 S 8/2019 Hagggar
 D857,874 S 8/2019 Hidalgo
 D858,735 S 9/2019 Wang
 D867,573 S * 11/2019 Guthrie D23/411
 D873,987 S 1/2020 Biancuzzo
 D875,914 S 2/2020 Hagggar
 D877,881 S * 3/2020 Hidalgo D23/377
 D886,980 S * 6/2020 McRoberts D23/377
 D890,320 S * 7/2020 Holmes D23/377
 D911,510 S * 2/2021 Guthrie D23/377
 D921,881 S * 6/2021 Hagggar D23/411
 2005/0249598 A1 11/2005 Young
 2018/0128276 A1 5/2018 Li

OTHER PUBLICATIONS

<http://fwww.craftmade.com/Craftmade-MN44SS4-Stainless-Steel-Ceiling-Fan.HTM>, Item Specification for the Craftmade Lighting Montreal, Model No. MN44SS4, accessed Feb. 7, 2017.
<http://fwww.kichler.com/products/productU48-inch-contemporary-fan-mch-300017mch.aspx>, Item Specification for the Kichler Gelino Collection, Model No. 300017MCH, accessed Feb. 7, 2017.
<http://fwww.kichler.com/products/productU52-arkwet-patio-ceiling-fan-wcp-339529wcp.aspx>, Item Specification for the Kichler Arkwet

Patio Collection, Model No. 339529WCP, accessed Feb. 7, 2017.
<http://ceilingfans.emerson.com/shop/en/fan/fans-s-emerson-fans/emerson-fans-browse-all/highrise-fan-p-cf430>, Item Specification for the Emerson Highrise, Model No. CF430BS, accessed Feb. 7, 2017.
<http://fwww.montecariofans.com/33062/52-Clarity-Rubberized-White-3CL-YR52RZWD.html>, Item Specification for the Monte Carlo Clarity Collection, Model No. 3CLYR52RZWD, accessed Feb. 7, 2017.
<http://fwww.kichler.com/products/productU60-bowen-ceiling-fan-mwh-330243mwh.aspx>, Item Specification for the Kichler Bowen Ceiling Fan Collection, Model No. 330243MWH, accessed Feb. 7, 2017.
<http://fwww.kichler.com/products/productU52-inch-lucian-ceiling-fan-ni-300176ni.aspx>, Item Specification for the Kichler Lucian Collection, Model No. 330000NI, accessed Feb. 7, 2017.
<http://www.menards.com/main/p-1444424537879-c-7487.htm?tid=-5244648551955826367>, Item Specification for the Iron of the Century Montego Bay, Model No. CP152115, accessed Feb. 7, 2017.
<http://www.fanimation.com/products/xeno/>, Item Specification for the Fanimation Xeno, Model No. FP6729, accessed Feb. 8, 2017.
<https://www.amazon.com/Kichler-Lighting-300175WH-Integrated-Downlight/dp/BOOHHHERJ10>, Item Specification for the Kichler Vassar, Model No. 300175WH, accessed Feb. 8, 2017.
<https://ceilingfans.emerson.com/shop/en/fan/54-volta-ceiling-fan-p-cf590>, Item Specification for the Emerson Volta, Model No. CF950BQ, accessed Feb. 8, 2017.
<http://www.menards.com/main/p-1444438448164-c-7488.htm?tid=-5244648551955826367>, Item Specification for the Iron of the Century Lafitte, Model No. fn1305gs, accessed Feb. 8, 2017.
<http://www.kichler.com/products/product/56-ellys-ceiling-fan-ni-300239ni.aspx>, Item Specification for the Kichler Ellys Collection, Model No. 300239NI, accessed Feb. 8, 2017.
<http://www.hunterfan.com/Ceiling-Fans?PageNumber=14>, Item Specification for the Hunter Fan Windemere, Model No. 59039, accessed Feb. 8, 2017.
<http://www.craftmade.com/Ellington-Fans-BEL52BNK3CRW-Nickel-Ceiling-Fan.HTM>, Item Specification for the Craftmade Beltre, Model No. BEL52BNK3CRW, accessed Feb. 8, 2017.
http://www.cudakitchen.com/42-inch-innes-iron-fan-300130OBB?gclid=CjwKEAiAoOvEBRDD25uyu9Lg9ycSJAD0cnBysy76Tilm6Db3jKmCBKVNokXc7gBCJ_nN9S4K_pROSRoCzLLw?wcB, Item Specification for Kichler Innes, Model No. 300130OBB, accessed Feb. 8, 2017.
<http://ceilingfans.emerson.com/shop/en/fan/midway-eco-fan-p-cf955>, Item Specification for the Emerson Midway Eco, Model No. CF955BS, accessed Feb. 8, 2017.
<http://www.kingoffans.com/photos/manuals/176.pdf>, Item Specification for the King of Fans Windward, Model No. o4404, accessed Feb. 8, 2017.

* cited by examiner

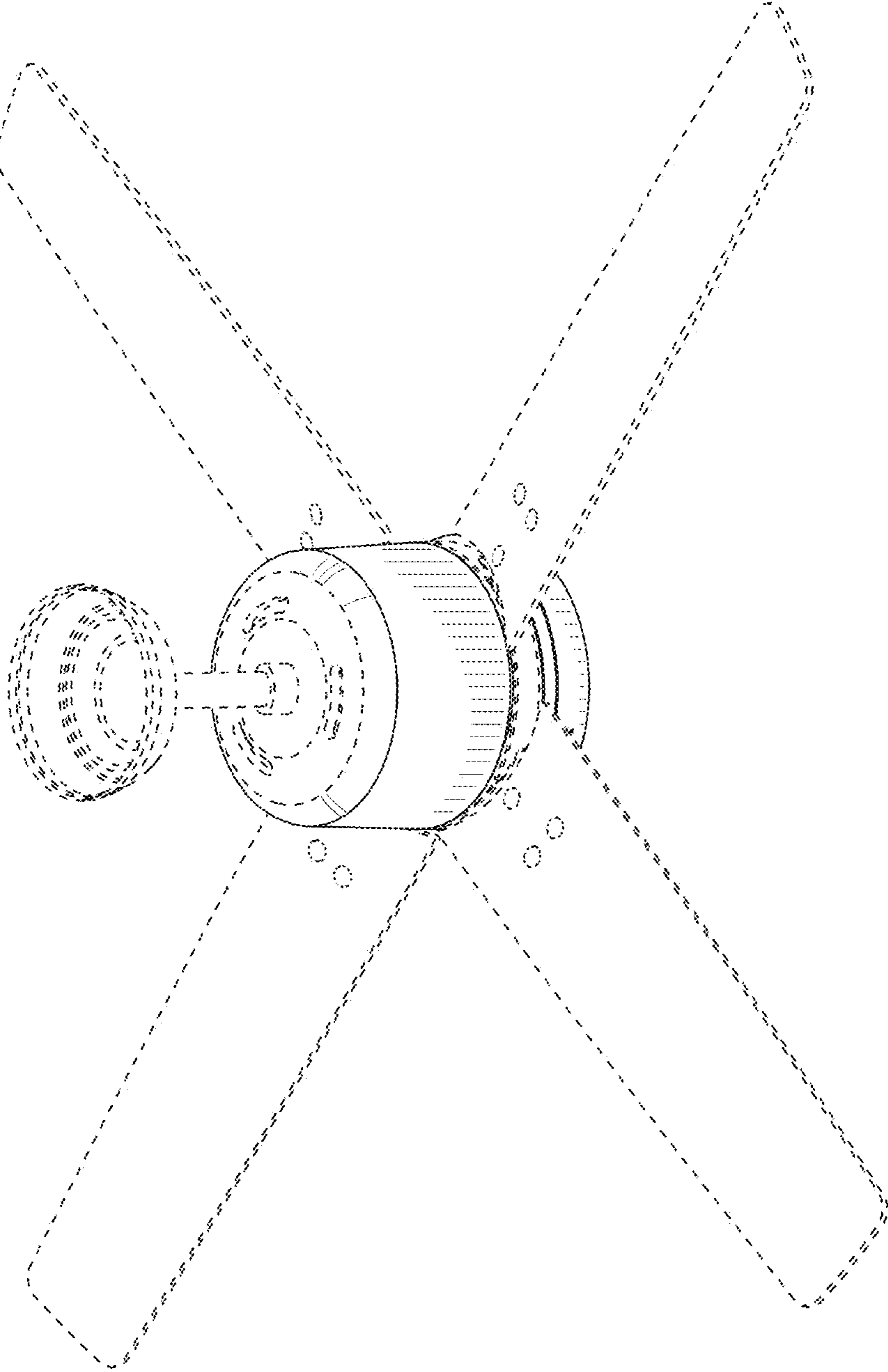


FIG. 1

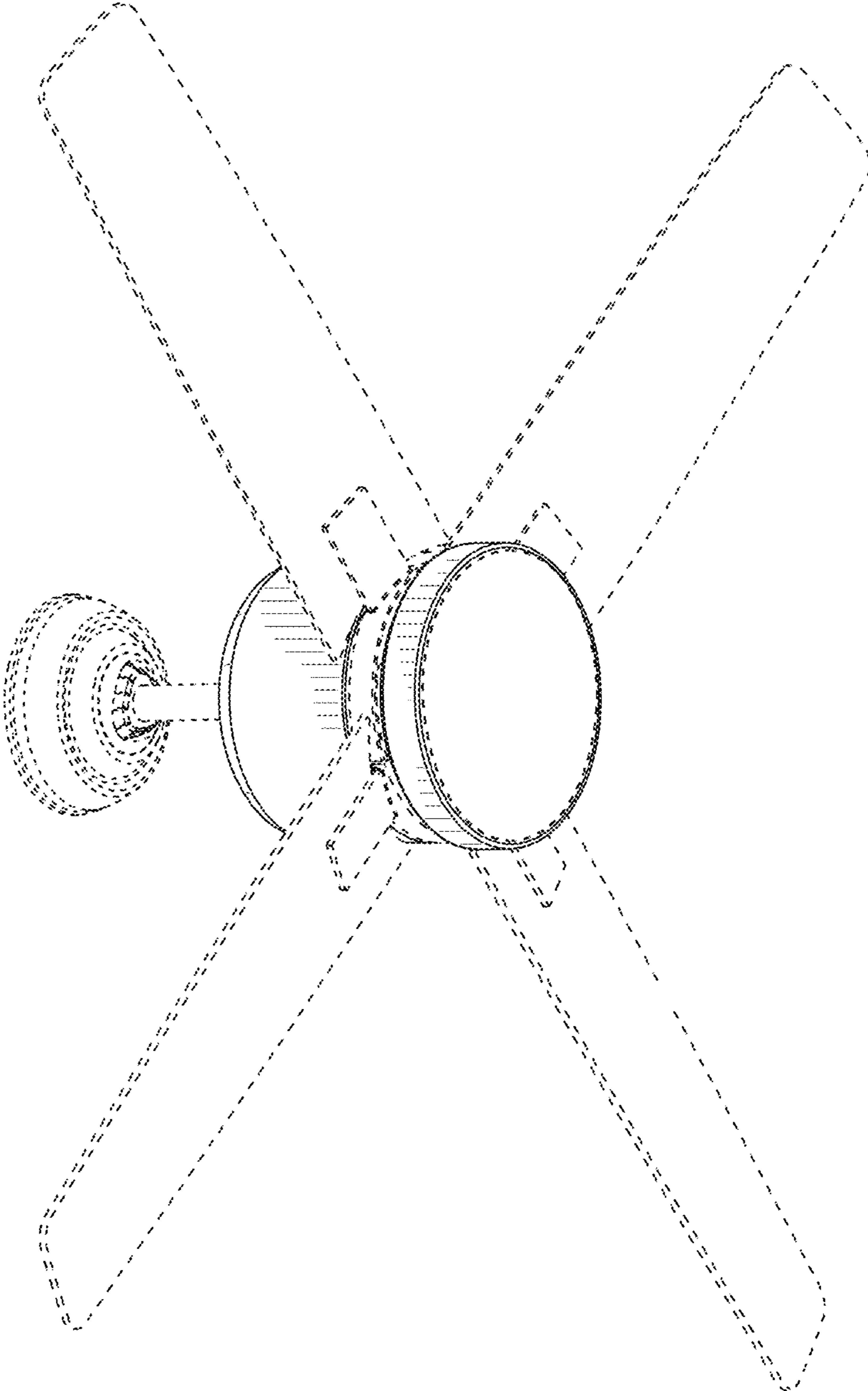


FIG. 2

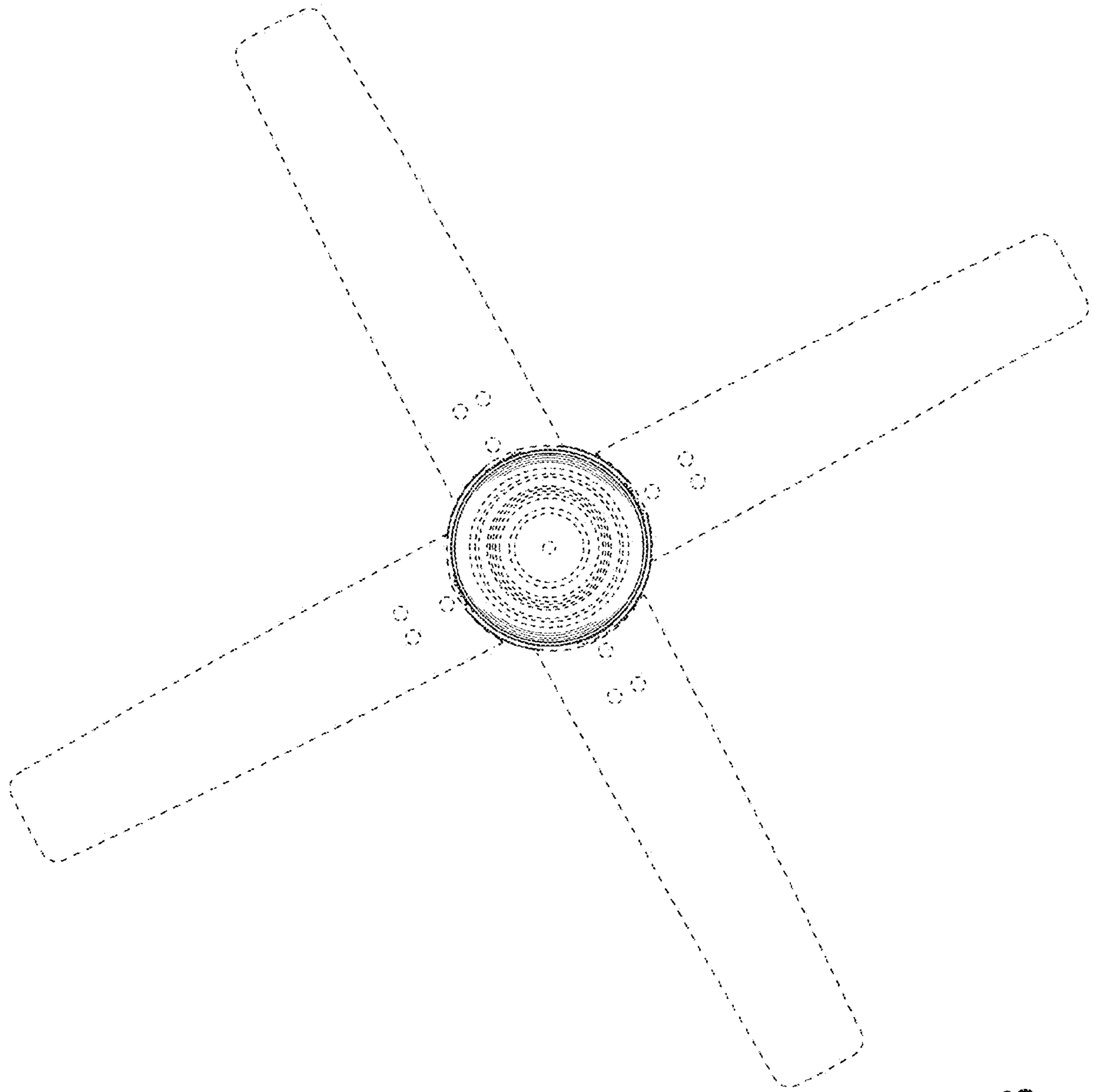


FIG. 3

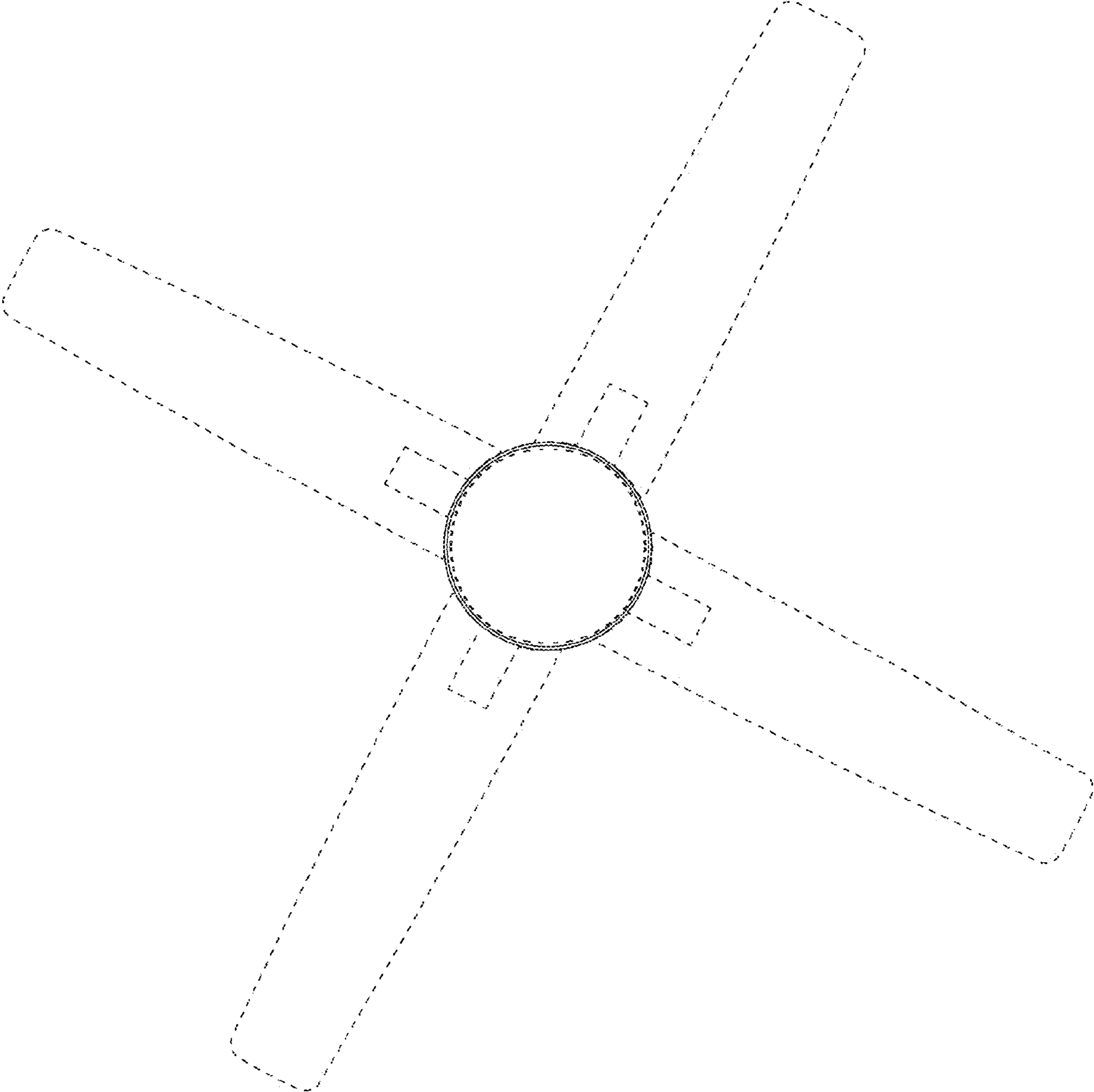


FIG. 4

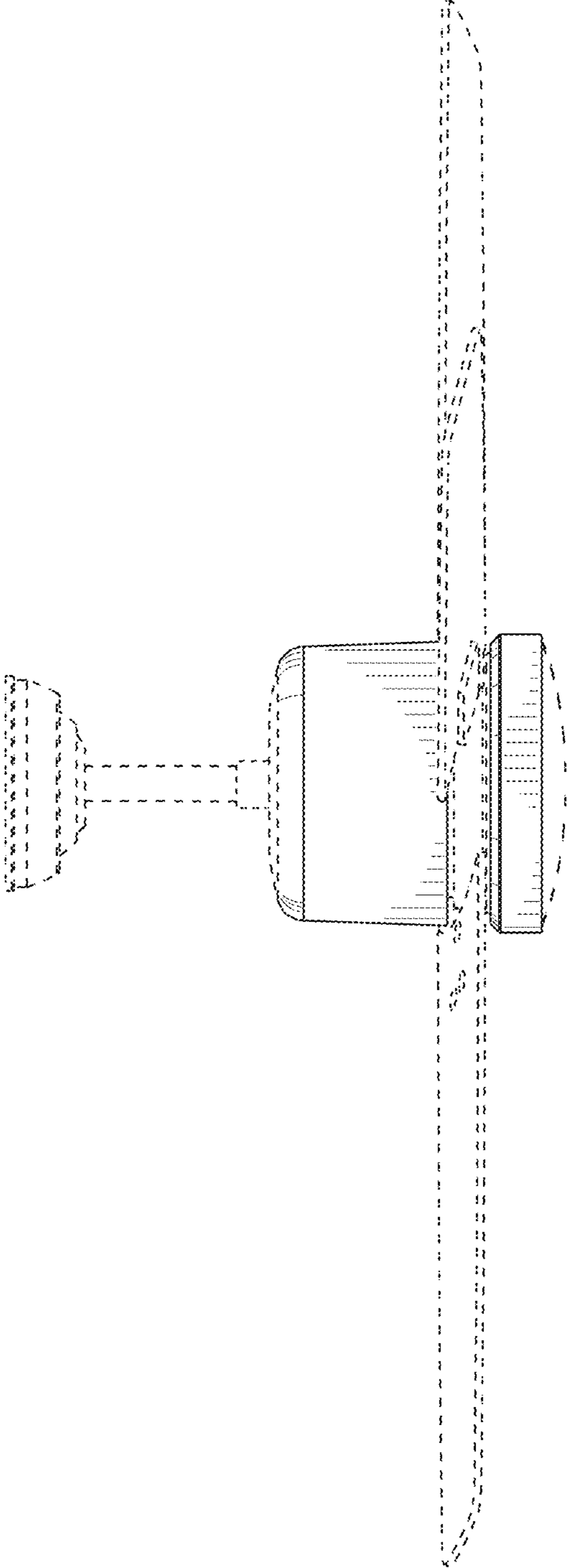


FIG. 5