



US00D941983S

(12) **United States Design Patent**
Haggar

(10) **Patent No.:** **US D941,983 S**

(45) **Date of Patent:** **** Jan. 25, 2022**

(54) **CEILING FAN MOTOR HOUSING**

(71) Applicant: **HUNTER FAN COMPANY,**
Memphis, TN (US)

(72) Inventor: **Alexander Jonathan Haggar,**
Memphis, TN (US)

(73) Assignee: **Hunter Fan Company,** Memphis, TN
(US)

(**) Term: **15 Years**

(21) Appl. No.: **29/715,721**

(22) Filed: **Dec. 4, 2019**

Related U.S. Application Data

(62) Division of application No. 29/582,628, filed on Oct. 28, 2016, now Pat. No. Des. 872,850.

(51) **LOC (13) Cl.** **23-04**

(52) **U.S. Cl.**
USPC **D23/411**

(58) **Field of Classification Search**
USPC D23/370, 377, 385, 411
CPC F04D 25/088; F04D 29/329; F04D 29/703;
F04D 25/08; F04D 25/0606; F04D
29/388; F04D 29/384
See application file for complete search history.

(56) **References Cited**

U.S. PATENT DOCUMENTS

D192,402 S	3/1962	Hart
4,666,670 A	5/1987	Cox
D383,528 S	9/1997	Collmar
D435,289 S	12/2000	Liu
D449,396 S	10/2001	Campbell
D476,406 S	6/2003	Friedes
D479,872 S	9/2003	Young
D480,470 S	10/2003	Tsuji
D489,126 S	4/2004	Young

D504,173 S	4/2005	Cohen	
D510,622 S	10/2005	Tai	
D516,200 S	2/2006	Pickett	
D517,197 S	3/2006	Pickett	
D517,675 S	3/2006	Young	
D521,625 S	5/2006	Young	
D525,696 S	7/2006	Ertze	
D528,645 S	9/2006	Young	
D529,163 S	9/2006	Young	
D529,601 S *	10/2006	Shurtleff D23/411
D539,894 S	4/2007	Bucher	

(Continued)

OTHER PUBLICATIONS

<http://www.hunterfan.com/Ceiling-Fans/Gunnar?ModelNumber=59208>, Item Specification for Hunter Fan Gunnar—54" Ceiling Fan, Model No. 59208, Accessed on Oct. 28, 2016.

(Continued)

Primary Examiner — Janice Hallmark

(74) *Attorney, Agent, or Firm* — McGarry Bair PC

(57) **CLAIM**

The ornamental design for a ceiling fan motor housing, as shown and described.

DESCRIPTION

FIG. 1 is a top perspective view of a ceiling fan motor housing shown in the environment of a ceiling fan, showing my new design;

FIG. 2 is a bottom perspective view of the ceiling fan motor housing of FIG. 1 having the ceiling fan environment removed;

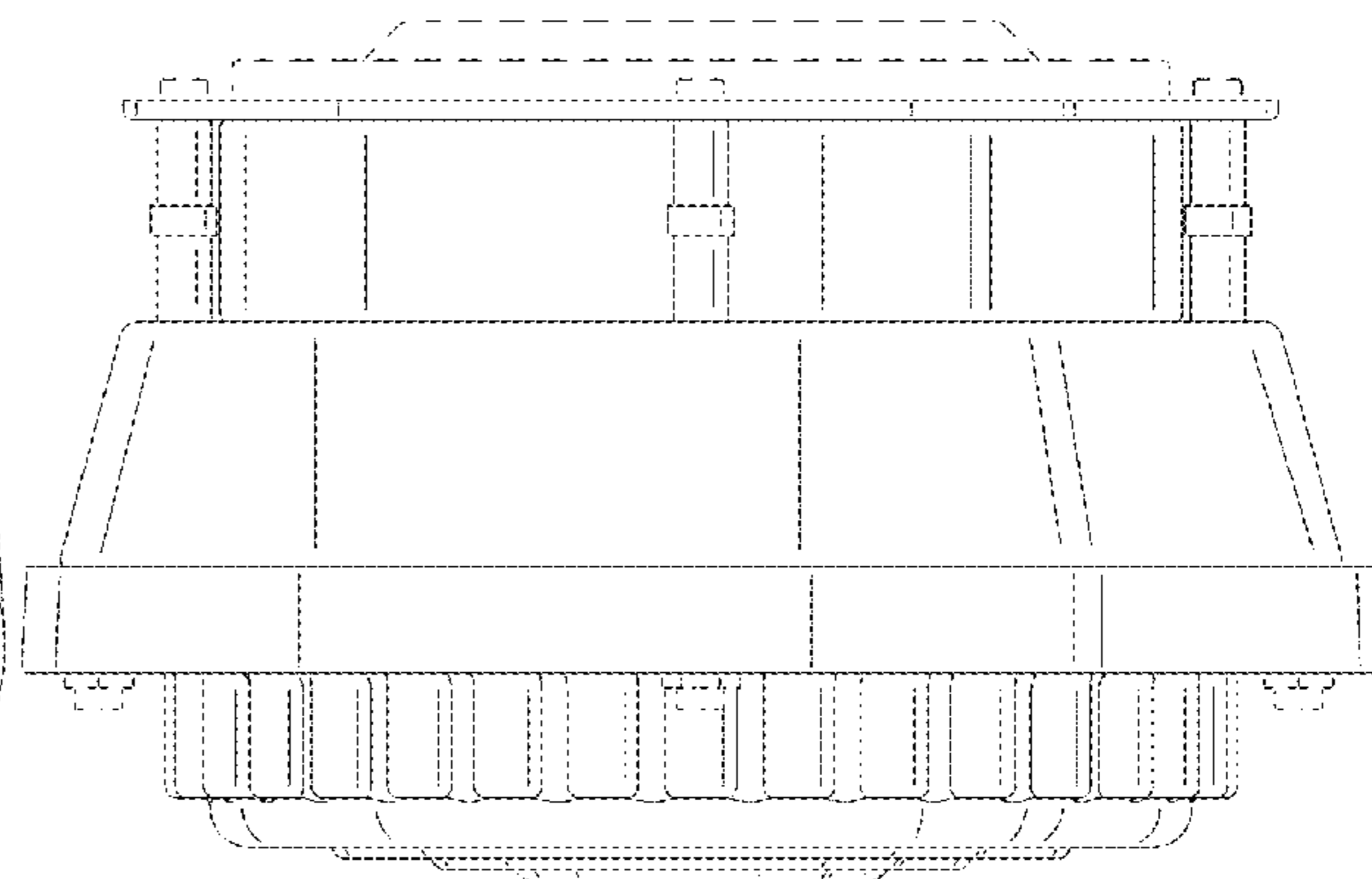
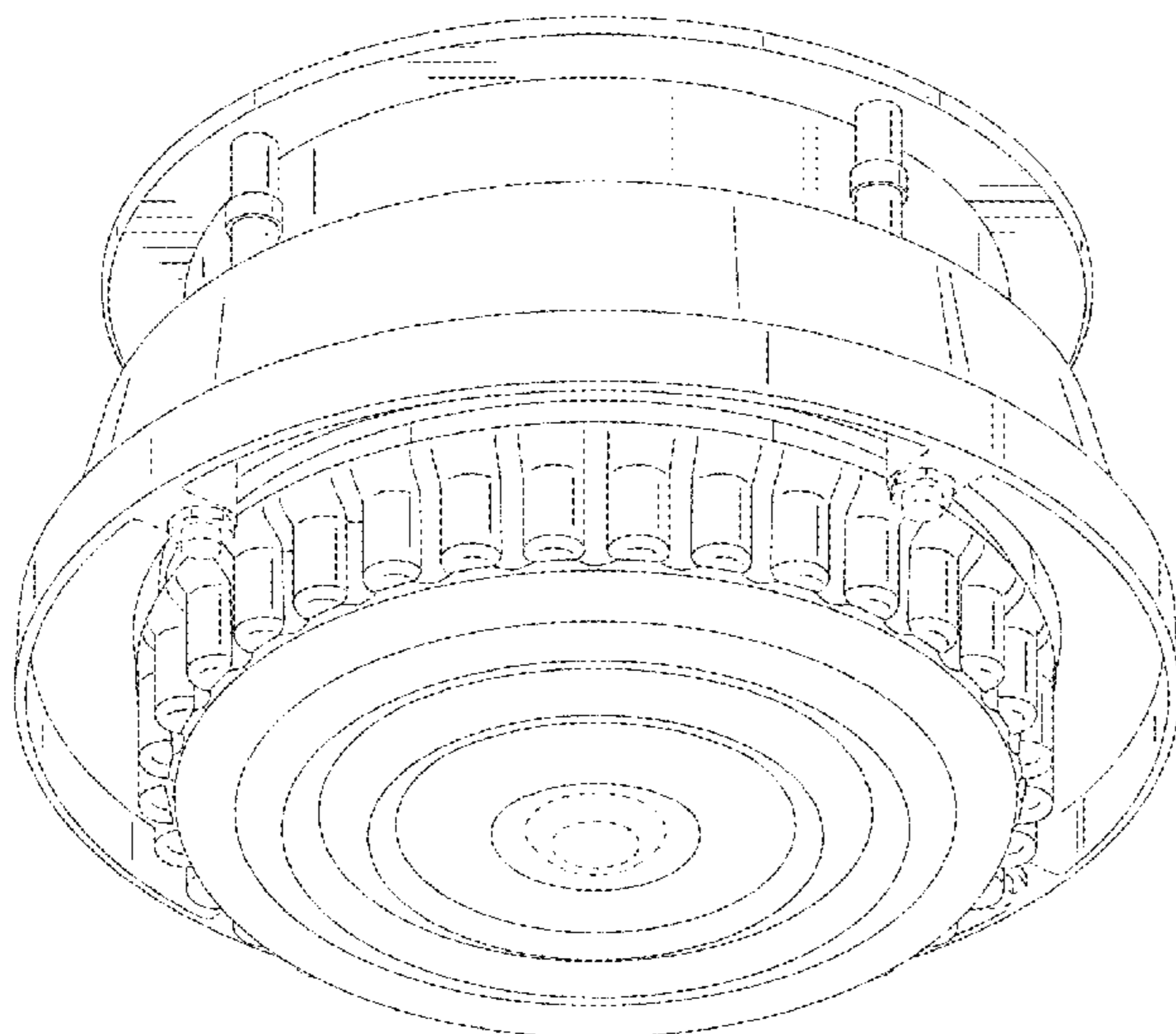
FIG. 3 is a top view thereof;

FIG. 4 is a bottom view thereof; and,

FIG. 5 is a side view thereof.

Portions of the ceiling fan motor housing and the ceiling fan environment are shown in broken lines. Portions shown in broken lines form no part of the claimed design.

1 Claim, 5 Drawing Sheets



(56)

References Cited

U.S. PATENT DOCUMENTS

D541,930	S	*	5/2007	Pickett	D23/411
D549,866	S		8/2007	Pan		
D555,779	S		11/2007	Bucher		
D576,720	S		9/2008	Bucher et al.		
D581,509	S		11/2008	Marshall		
D603,954	S		11/2009	Curtin		
D633,611	S		3/2011	Pan		
D671,633	S	*	11/2012	Glasbrenner	D23/411
D706,919	S	*	6/2014	Wang	D23/411
D708,314	S		7/2014	Pan		
D710,001	S	*	7/2014	Wang	D23/411
D710,489	S		8/2014	Shurtleff		
D743,522	S	*	11/2015	Pan	D23/411
D799,682	S	*	10/2017	Wang	D23/411
D810,270	S	*	2/2018	Wang	D23/411
D824,558	S	*	7/2018	Guthrie	D26/59
D825,051	S	*	8/2018	Guthrie	D23/411
D825,052	S	*	8/2018	Guthrie	D23/411
D827,123	S	*	8/2018	Guthrie	D23/411
D834,173	S	*	11/2018	Holmes	D23/411
D840,018	S	*	2/2019	Badarello	D23/411
D868,956	S	*	12/2019	Guthrie	D23/411
D872,850	S	*	1/2020	Hagggar	D23/377
D875,918	S	*	2/2020	Hagggar	D23/411
D899,581	S	*	10/2020	Holmes	D23/411
D902,376	S	*	11/2020	Bradley	D23/411
D917,688	S	*	4/2021	Guthrie	D23/411
D921,882	S	*	6/2021	O'Connell	D23/411

OTHER PUBLICATIONS

<http://www.hunterfan.com/Ceiling-Fans/Chronicle?ModelNumber=59236>, Item Specification for Hunter Fan Chronicle—54" Ceiling Fan, Model No. 59236, Accessed on Oct. 28, 2016.
<http://www.craftmade.com/Ellington-Fans-UBR52BNK4-Nickel-Ceiling-Fan.HTM>, Item Specification for Craftmade Ellington Urban Breeze, Model No. UBR52BNK4, Accessed on Oct. 28, 2016.
<http://www.craftmade.com/Ellington-Fans-UB48BC4C1-Brushed-Chrome-Ceiling-Fan.HTM>, Item Specification for Craftmade Ellington Urbana, Model No. UB48BC4C1, Accessed on Oct. 28, 2016.

<http://www.lowes.com/pd/Harbor-Breeze-Lac-Arpin-44-in-Brushed-Nickel-and-Black-Downrod-Mount-Indoor-Ceiling-Fan-with-Light-Kit-and-Remote-3-Blade/50291921>, Item Specification for Harbor Breeze Lac Arpin 44-in Brushed Nickel and Black Downrod Mount Indoor Ceiling Fan with Light Kit and Remote (3-Blade), Model No. 35062, Accessed on Oct. 28, 2016.
<https://www.menards.com/main/lighting-ceiling-fans/ceiling-fans/shop-all-ceiling-fans/turn-of-the-century-reg-ashton-52-brushed-nickel-ceiling-fan/p-1444424531588-c-7488.htm?tid=-3210252080453521381>, Item Specification for Turn of the Century Ashton 52" Brushed Nickel Traditional Ceiling Fan, Model No. 35060, Accessed on Oct. 28, 2016.
<http://www.fanimation.com/products/index.php/fans/spitfire-655.html>, Item Specification for Fanimation Spitfire, Model No. MA6721.
<http://www.montecarlofans.com/28206/52-Icon-Fan---Roman-Bronze-4ICR52RBD.html>, Item Specification for Monte Carlo 52" Icon Fan—Roman Bronze, Model No. 4ICR52RBD, Accessed on Oct. 28, 2016.
<http://www.kichler.com/products/product/56-inch-hatteras-bay-fan-bss-300018bss.aspx>, Kichler Hatteras Bay Collection 56 Inch Hatteras Bay Fan BSS, Model No. 300018BSS, Accessed on Oct. 28, 2016.
<http://www.fanimation.com/products/index.php/fans/odyn.html>, Item Specification for Fanimation Odyn, Model No. FPD8149, Accessed on Oct. 28, 2016.
<http://www.kichler.com/products/product/52-inch-starkk-ceiling-fan-ni-300173ni.aspx>, Item Specification for Starkk Collection, 52 Inch Starkk Ceiling Fan NI, Model No. 300173NI, Accessed on Oct. 28, 2016.
<http://www.fanimation.com/products/index.php/fans/inlet.html>, Item Specification for Fanimation Inlet, Model No. FPS7880, Accessed on Oct. 28, 2016.
<http://ceilingfans.emerson.com/shop/en/fan/fan-s-all/fans-s-browse-all/amhurst-fan-p-cf880>, Item Specification for Emerson Amhurst, Model No. CF880VNB, Accessed on Oct. 28, 2016.
 Photon 2-Light 54", previously available at <http://www.menards.com/main/lighting-ceiling-fans/ceiling-fans/shop-all-ceiling-fans/photon-2-light-54-in-indoor-brushed-steel-ceiling-fan/p-1444427078445-c-7488.htm?tid=-5545980670796292505>.

* cited by examiner

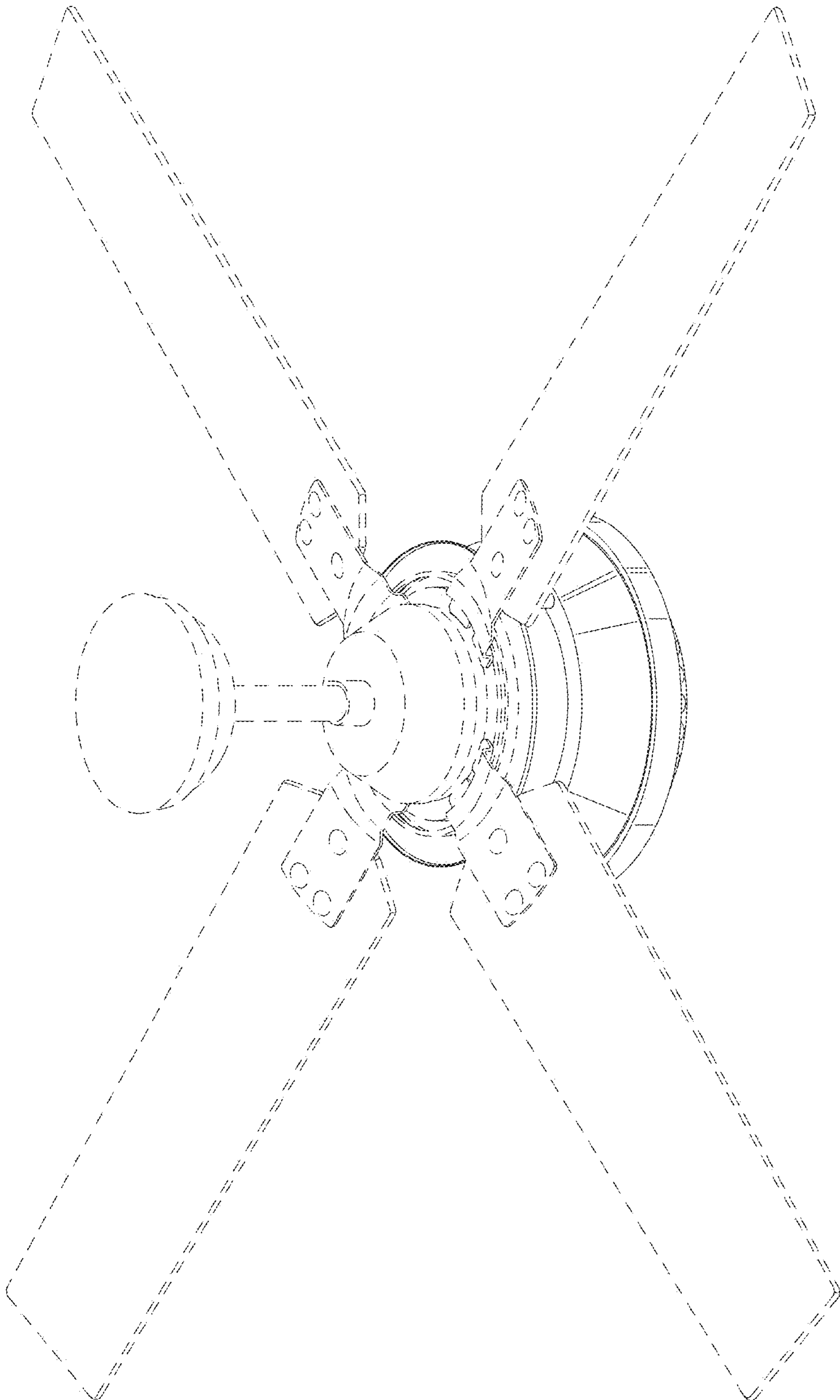


FIG. 1

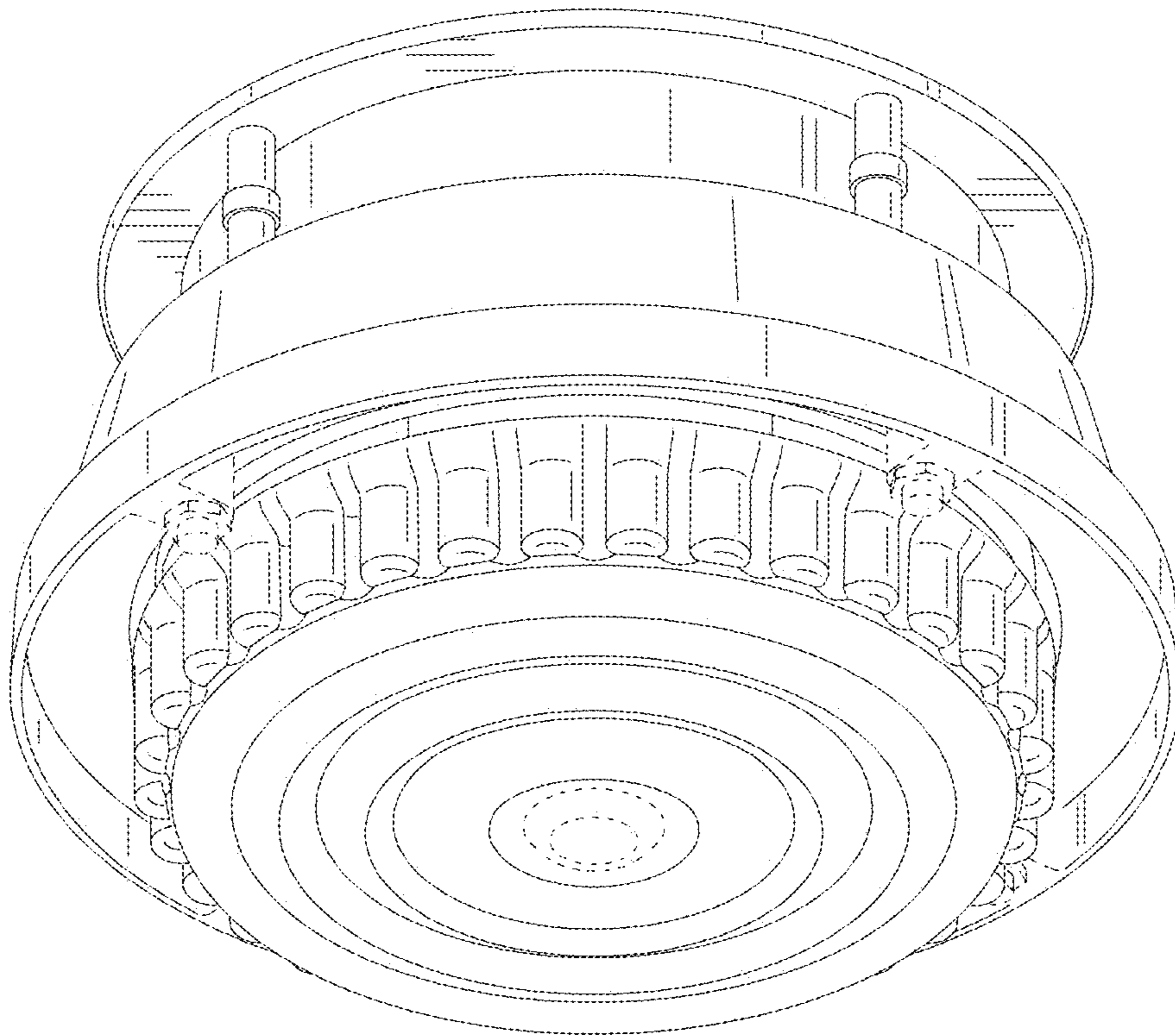


FIG. 2

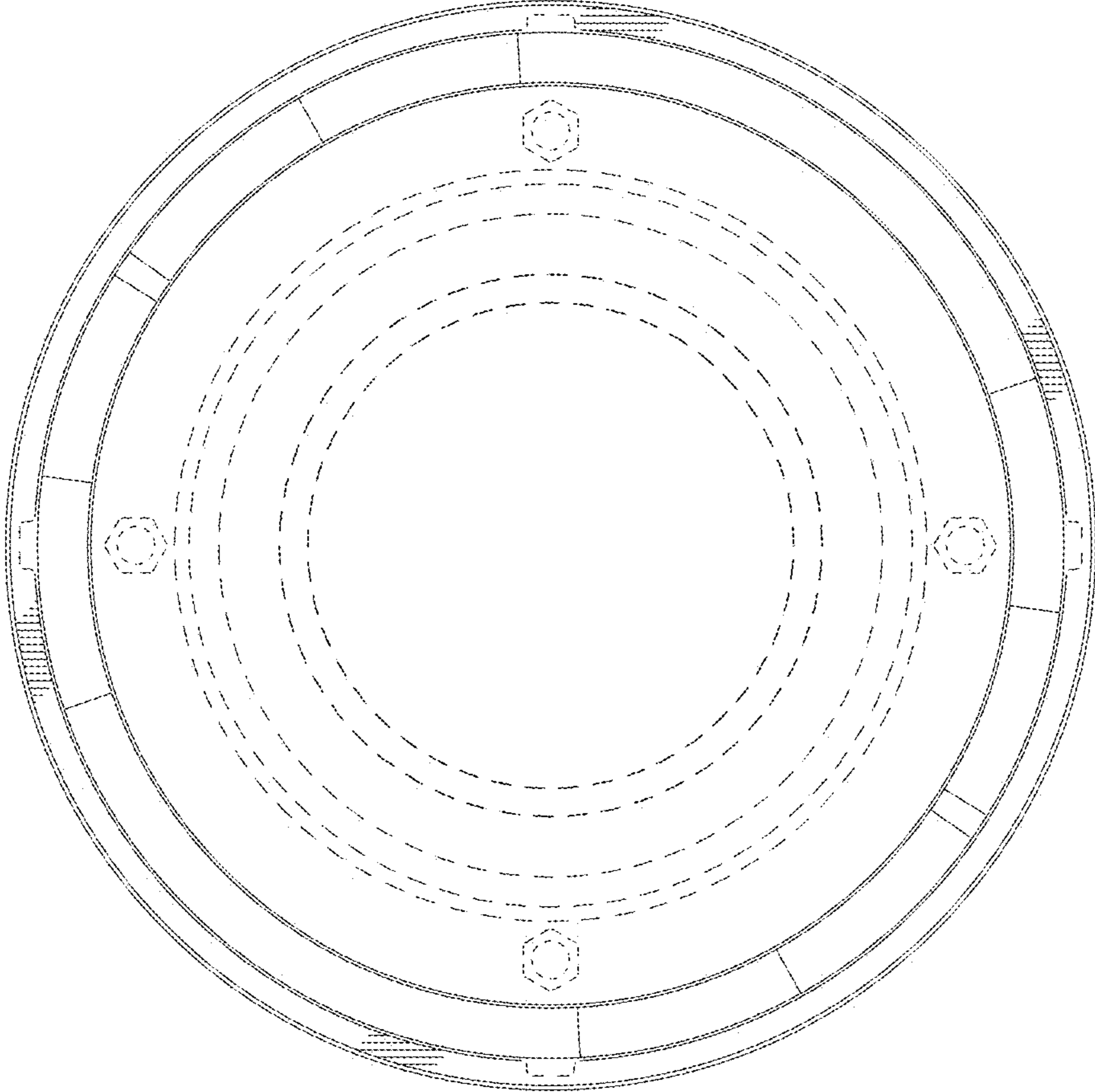


FIG. 3

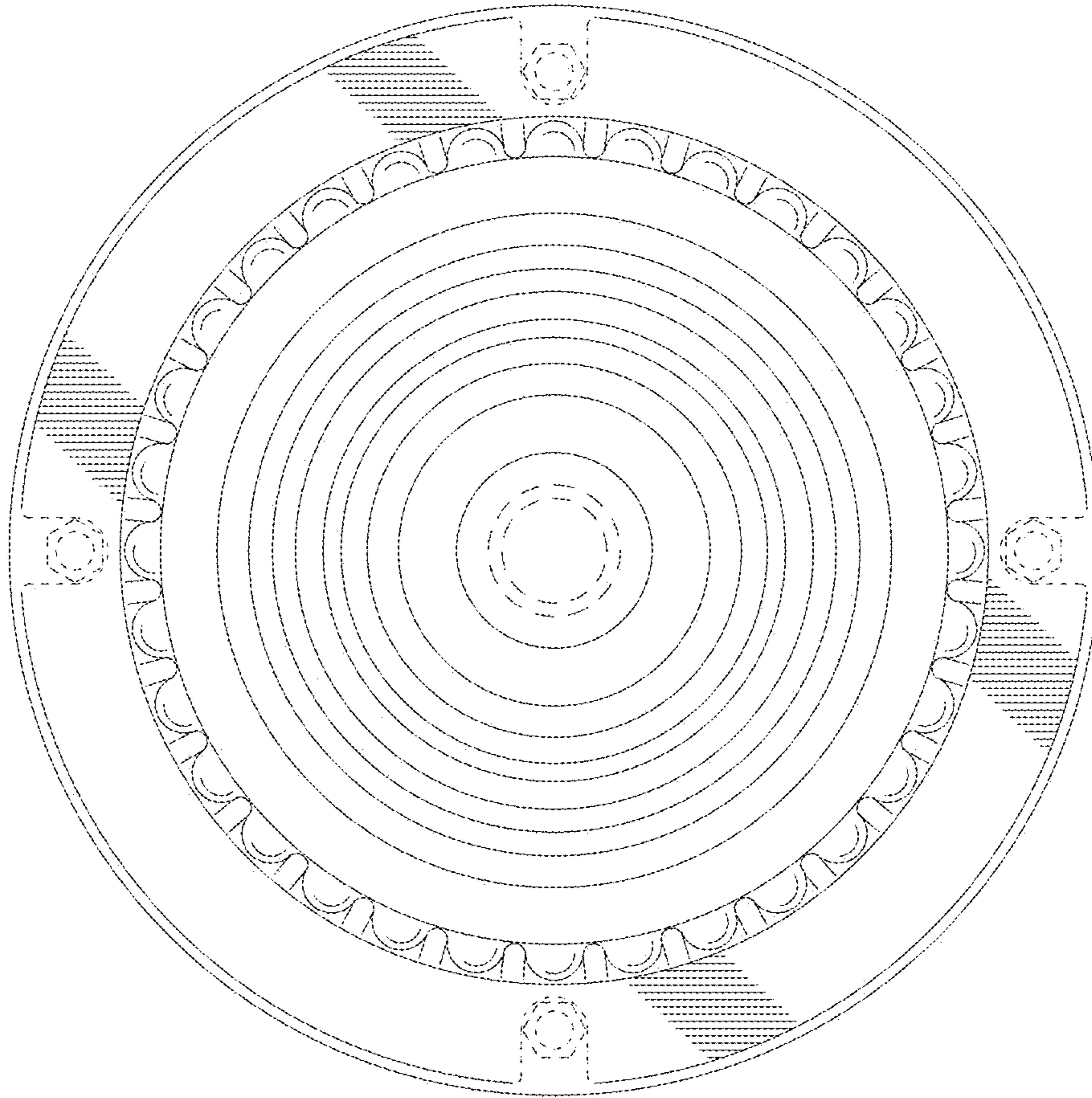


FIG. 4

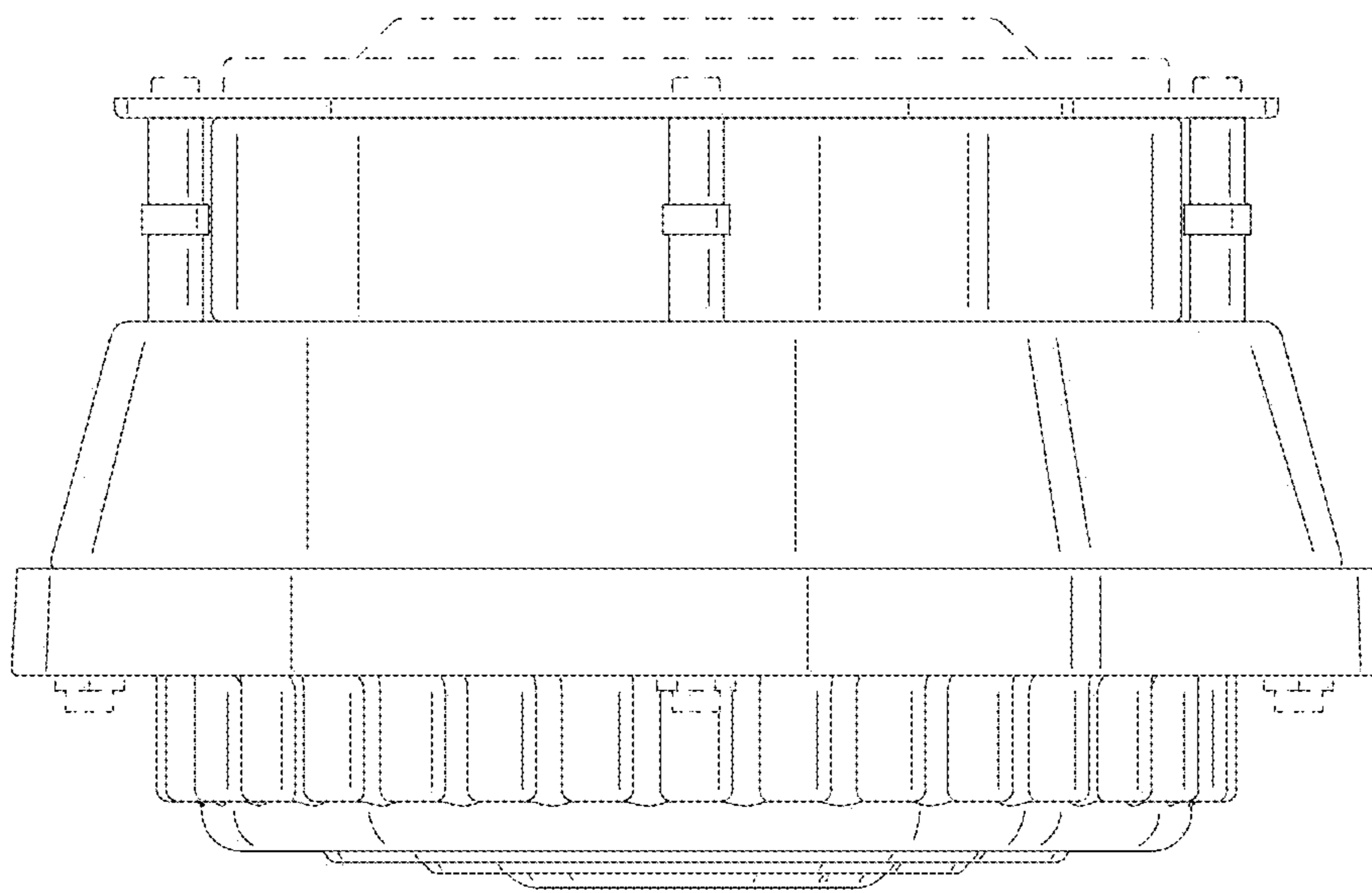


FIG. 5