



US00D941982S

(12) **United States Design Patent**  
**Wang et al.**

(10) **Patent No.:** **US D941,982 S**  
(45) **Date of Patent:** **\*\* Jan. 25, 2022**

(54) **MOBILE AIR CONDITIONING KIT**  
(71) Applicant: **Dongguan Zhenghai Technology Co., Ltd.**, Dongguan (CN)  
(72) Inventors: **Liuzeng Wang**, Dongguan (CN); **Wunian Zhang**, Dongguan (CN); **Jinshan Liu**, Dongguan (CN); **Jinxia Liang**, Dongguan (CN)

D578,200 S \* 10/2008 Hedlund ..... D23/371  
D597,185 S 7/2009 Faynshteyn  
D601,180 S \* 9/2009 Takeda ..... D16/235  
D619,699 S \* 7/2010 Kimura ..... D23/388  
D629,883 S \* 12/2010 Kimura ..... D23/388  
D648,352 S 11/2011 Hsiao  
D700,370 S \* 2/2014 Leonard ..... D25/199  
D801,500 S \* 10/2017 Andrews ..... D23/354  
D809,640 S \* 2/2018 Lee ..... D23/354  
D810,253 S \* 2/2018 Lee ..... D23/354  
D810,255 S \* 2/2018 Lee ..... D23/354  
D810,256 S \* 2/2018 Lee ..... D23/354  
D861,843 S \* 10/2019 Sidell ..... F24F 1/04  
D23/354

(\*\*) Term: **15 Years**

(21) Appl. No.: **29/773,295**

(22) Filed: **Mar. 9, 2021**

(51) **LOC (13) Cl.** ..... **23-03**

(52) **U.S. Cl.**  
USPC ..... **D23/393; D23/354**

(58) **Field of Classification Search**  
USPC ..... D8/354; D23/333, 335, 341, 342, 351, D23/353, 354, 355, 356, 359, 364, 365, D23/370, 385, 386, 388, 393  
CPC ..... F24F 7/00; F24F 7/04; F24F 12/001  
See application file for complete search history.

(56) **References Cited**

**U.S. PATENT DOCUMENTS**

D269,043 S \* 5/1983 Resnicoff ..... D23/411  
4,890,396 A \* 1/1990 King ..... D06F 58/20  
34/235  
D317,820 S \* 6/1991 Buehler ..... D23/403  
D318,915 S \* 8/1991 Chaney ..... D23/411  
D335,174 S \* 4/1993 Anderson ..... D23/393  
6,065,296 A \* 5/2000 Feger ..... F24F 1/022  
62/150  
D507,344 S \* 7/2005 Anderson ..... D23/393  
7,246,502 B2 \* 7/2007 Hammonds ..... B60H 1/3229  
62/244  
D560,785 S 1/2008 Galeazzi

\* cited by examiner

*Primary Examiner* — Keli L Hill  
*Assistant Examiner* — Harold E Blackwell, II

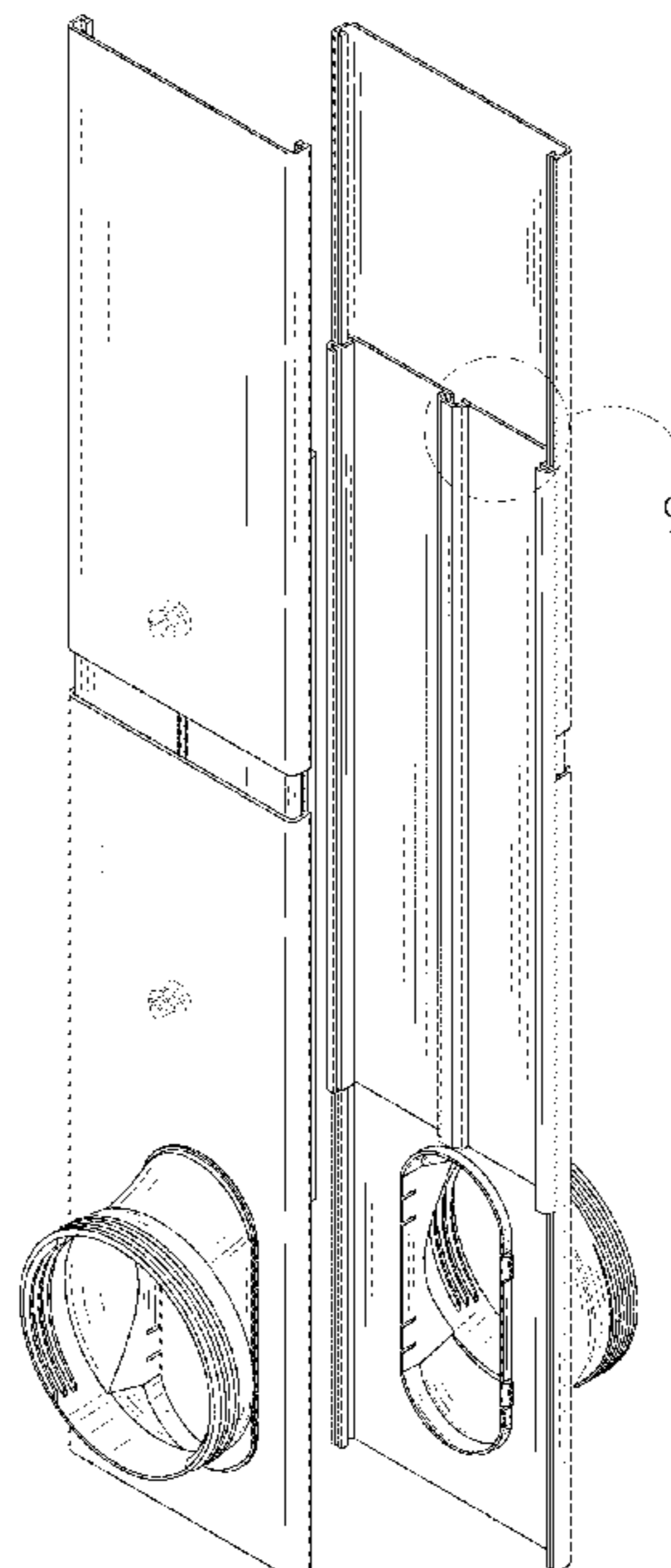
(57) **CLAIM**

The ornamental design for a mobile air conditioning kit, as shown and described.

**DESCRIPTION**

FIG. 1 is a first perspective view of a mobile air conditioning kit showing my new design;  
FIG. 2 is a second perspective view thereof;  
FIG. 3 is a front view thereof;  
FIG. 4 is a back view thereof;  
FIG. 5 is a left side view thereof;  
FIG. 6 is a right side view thereof;  
FIG. 7 is a top view thereof;  
FIG. 8 is a bottom view thereof; and,  
FIG. 9 is an enlarged view of the selected portion in FIG. 1. The broken lines shown in the drawings depict portions of the mobile air conditioning kit in which the design is embodied that form no part of the claimed design.

**1 Claim, 9 Drawing Sheets**



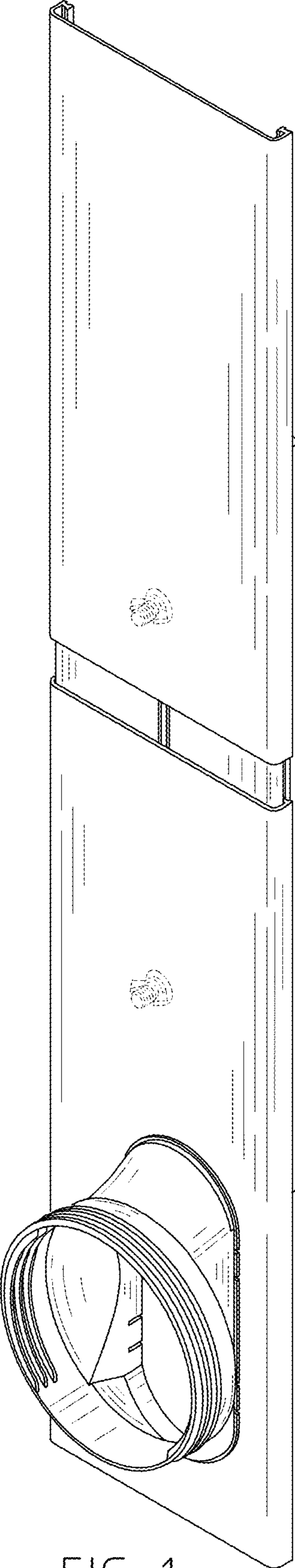


FIG. 1

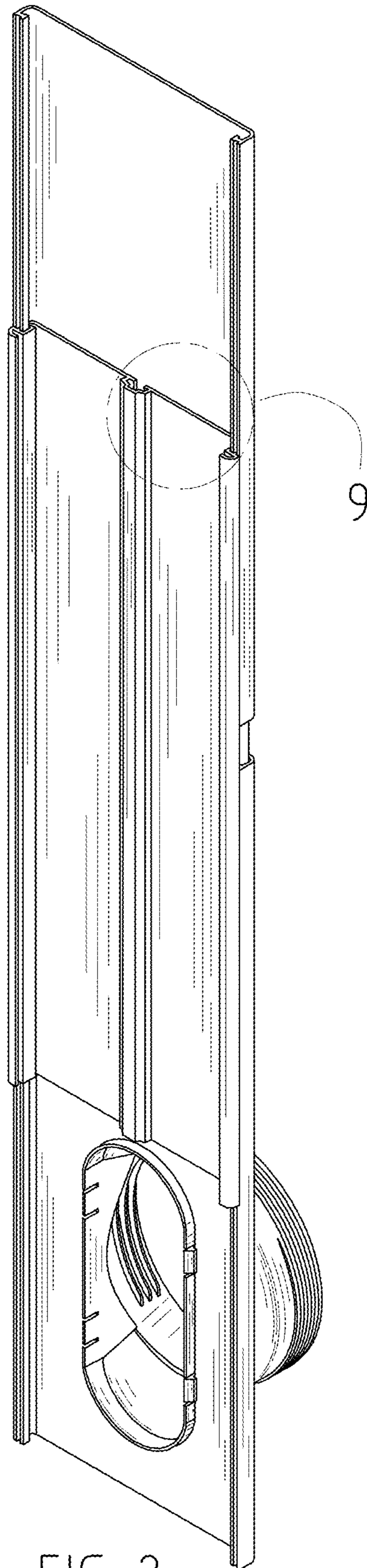


FIG. 2

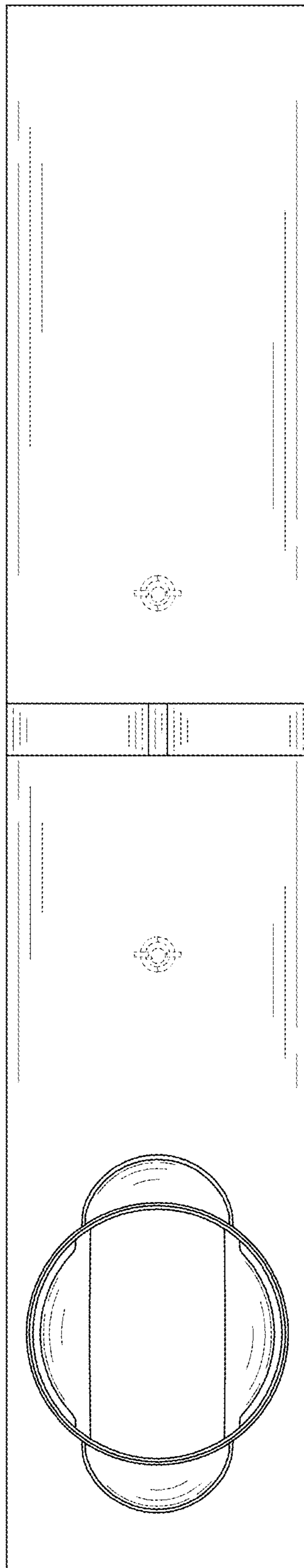


FIG. 3

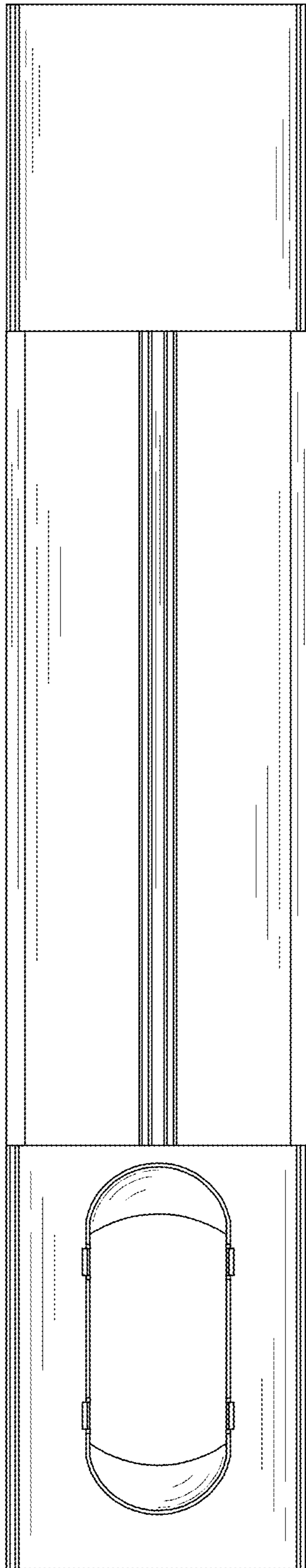


FIG. 4

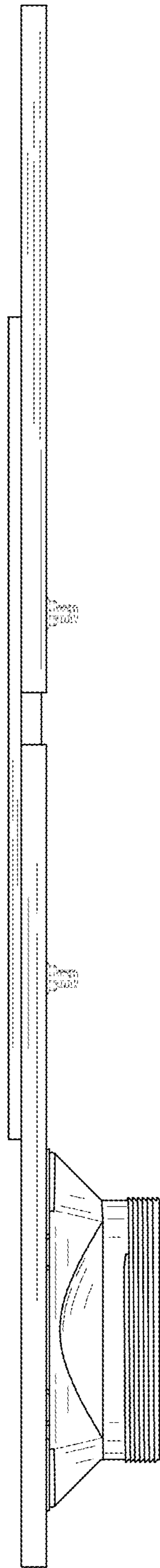


FIG. 5

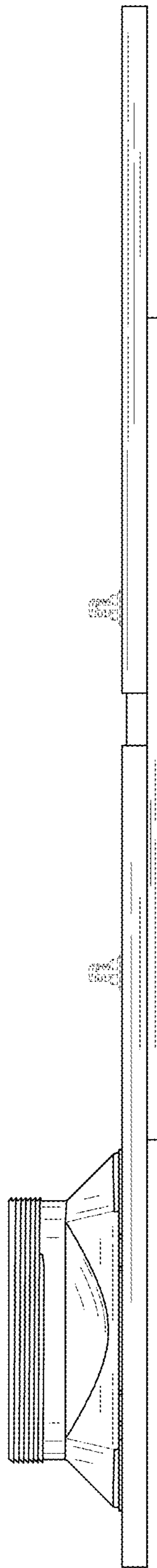


FIG. 6

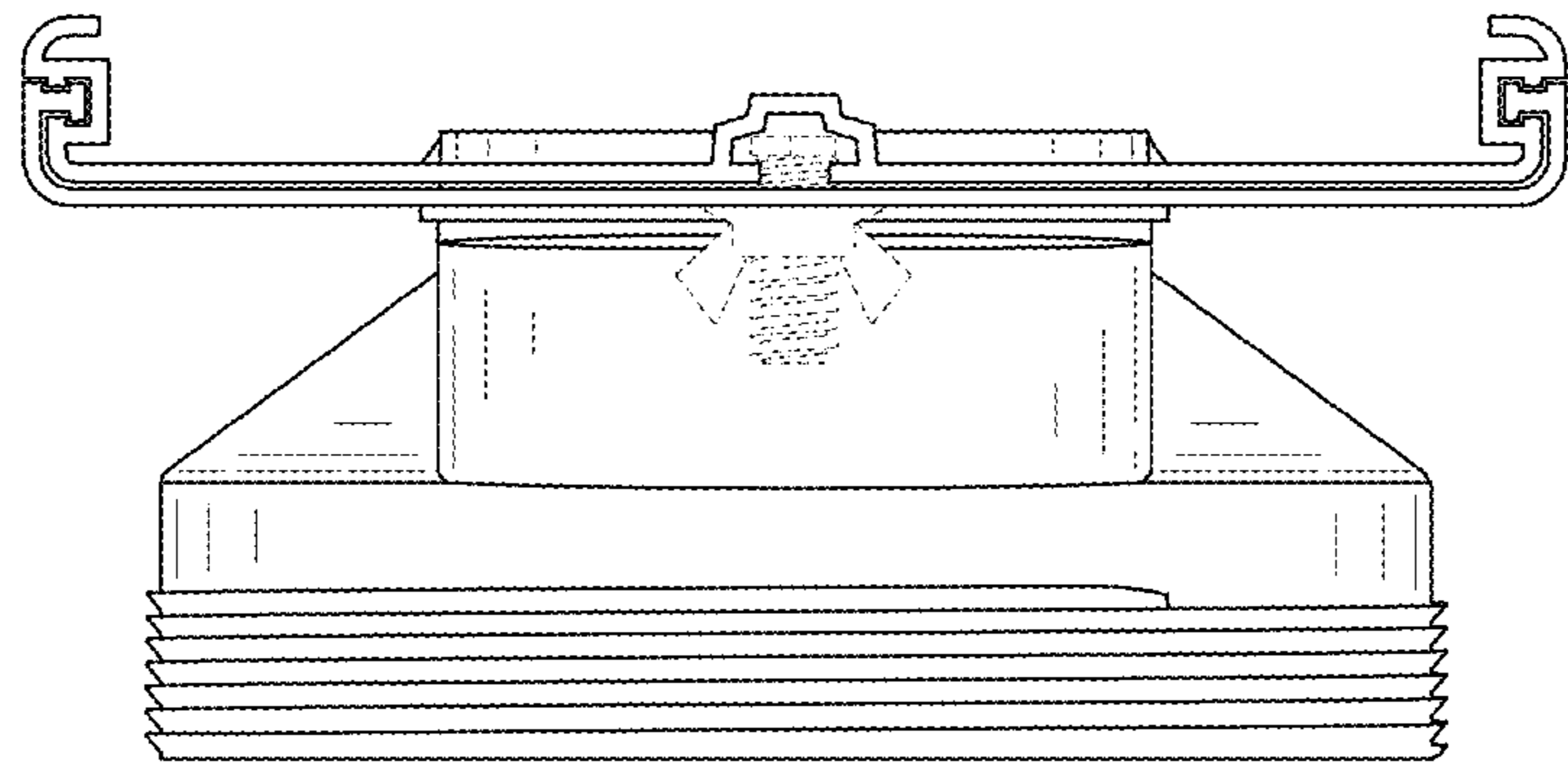


FIG. 7



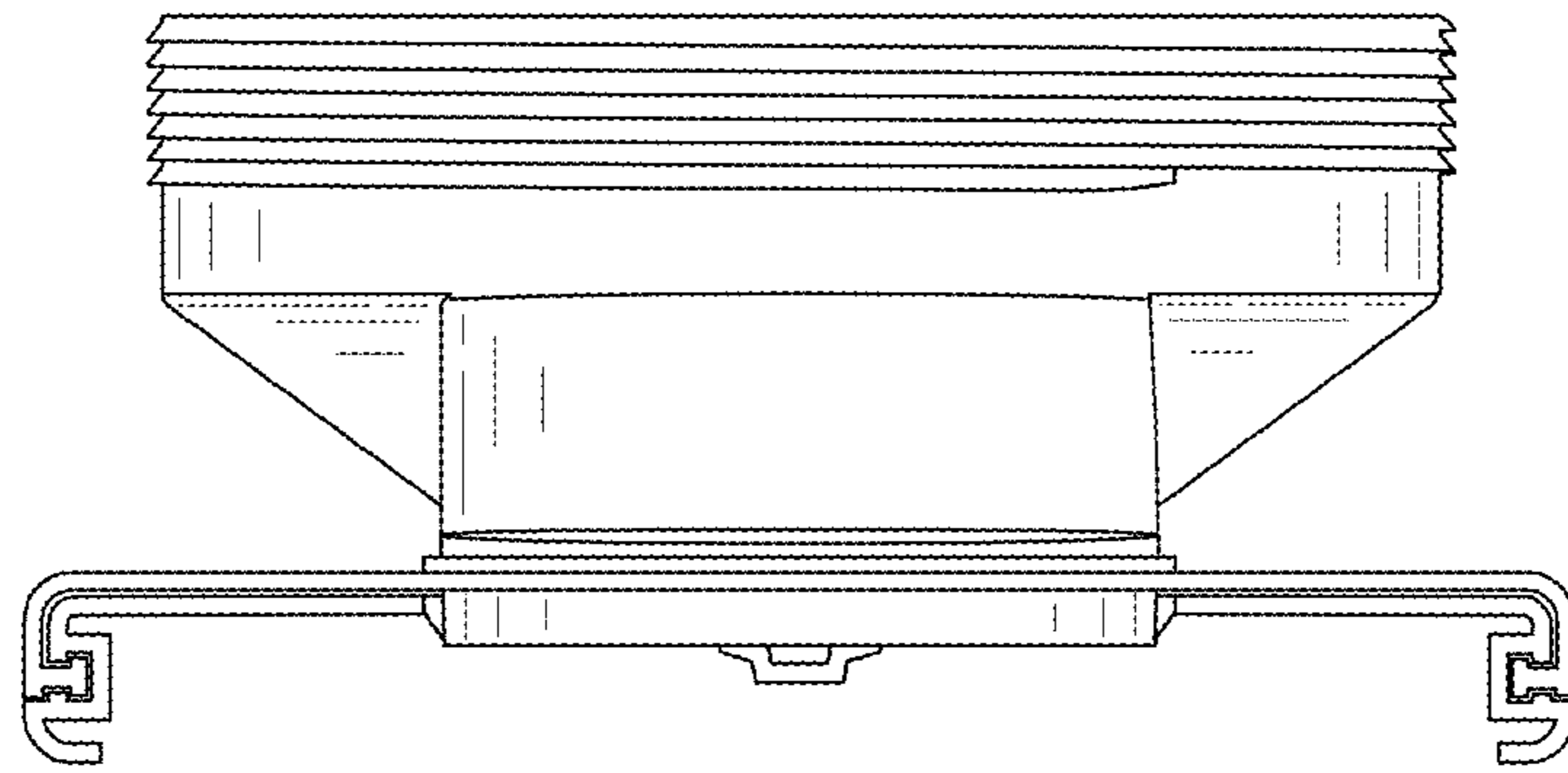


FIG. 8

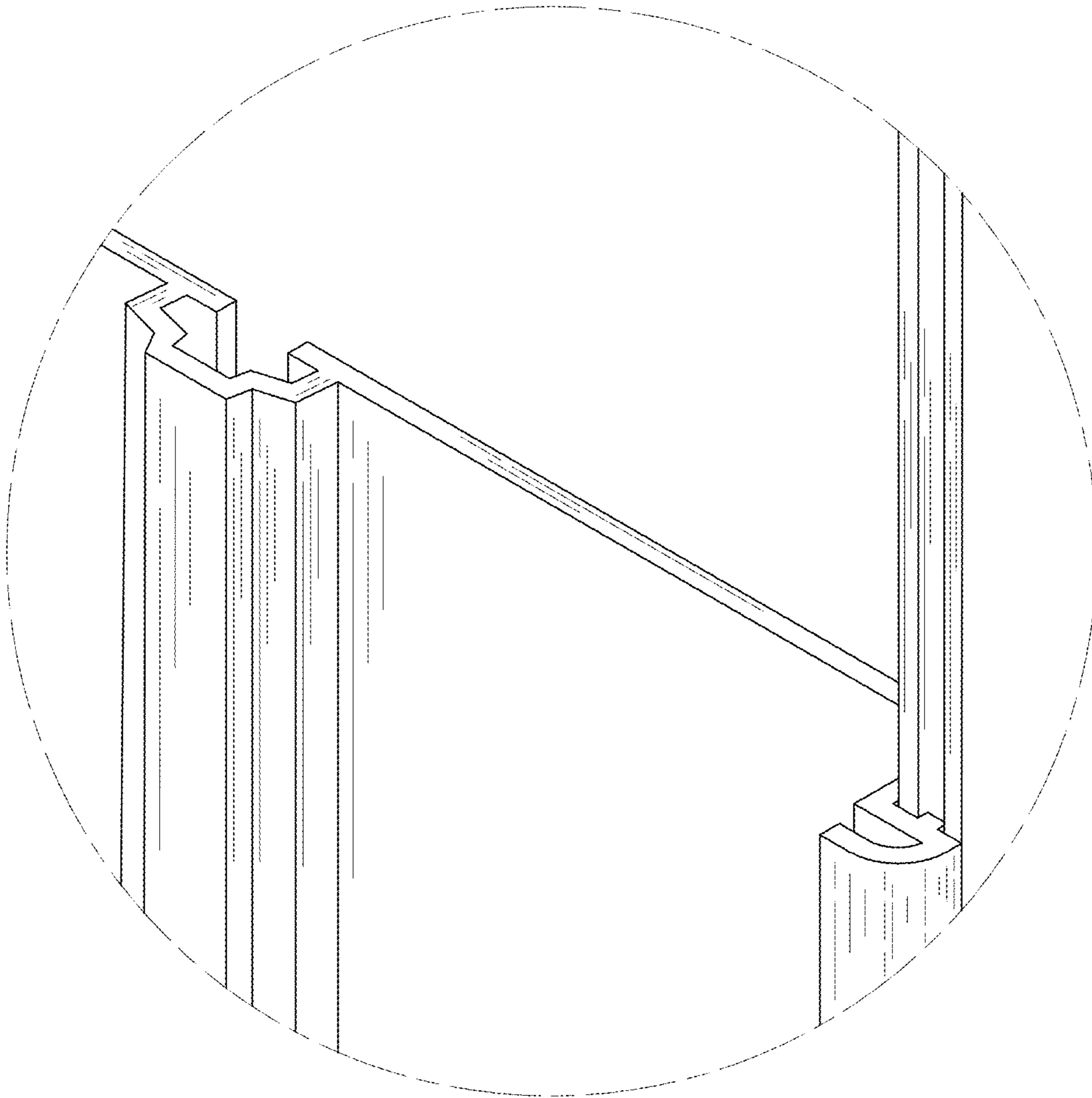


FIG. 9