



US00D941979S

(12) **United States Design Patent**  
**Luo**

(10) **Patent No.:** **US D941,979 S**  
(45) **Date of Patent:** **\*\* Jan. 25, 2022**

- (54) **DEHUMIDIFIER**
- (71) Applicant: **GABOSS INTERNATIONAL LIMITED**, Kowloon (HK)
- (72) Inventor: **Lijian Luo**, Kowloon (HK)
- (73) Assignee: **GABOSS INTERNATIONAL LIMITED**, Kowloon (HK)
- (\*\*) Term: **15 Years**
- (21) Appl. No.: **29/778,235**
- (22) Filed: **Apr. 12, 2021**
- (51) **LOC (13) Cl.** ..... **23-04**
- (52) **U.S. Cl.**  
USPC ..... **D23/359**
- (58) **Field of Classification Search**  
USPC ..... D23/355–366, 352, 369, 332, 333, 335,  
D23/336, 342, 351; 422/120, 122;  
55/356, 473, 504; 96/97; 261/DIG. 17,  
261/DIG. 65, DIG. 88, DIG. 31  
CPC .. A61L 9/16; A61L 9/22; B01D 47/00; B01D  
47/027; B01D 2221/02; B01D 2259/4508;  
B03C 3/155; B03C 3/368; F24F 13/20;  
F24F 13/28  
See application file for complete search history.

- D924,385 S \* 7/2021 Liu ..... F24F 13/20  
D23/356
- D925,024 S \* 7/2021 Huang ..... D23/356
- D927,666 S \* 8/2021 Shin ..... D23/364
- D928,298 S \* 8/2021 Zuo ..... D23/364
- D933,798 S \* 10/2021 Wang ..... D23/364
- D935,589 S \* 11/2021 Lu ..... D23/364
- 2018/0172290 A1\* 6/2018 Zhou ..... F24F 13/20
- 2020/0386423 A1\* 12/2020 Chu ..... F24F 8/10

\* cited by examiner

*Primary Examiner* — David G Muller

(74) *Attorney, Agent, or Firm* — ScienBiziP, P.C.

(57) **CLAIM**

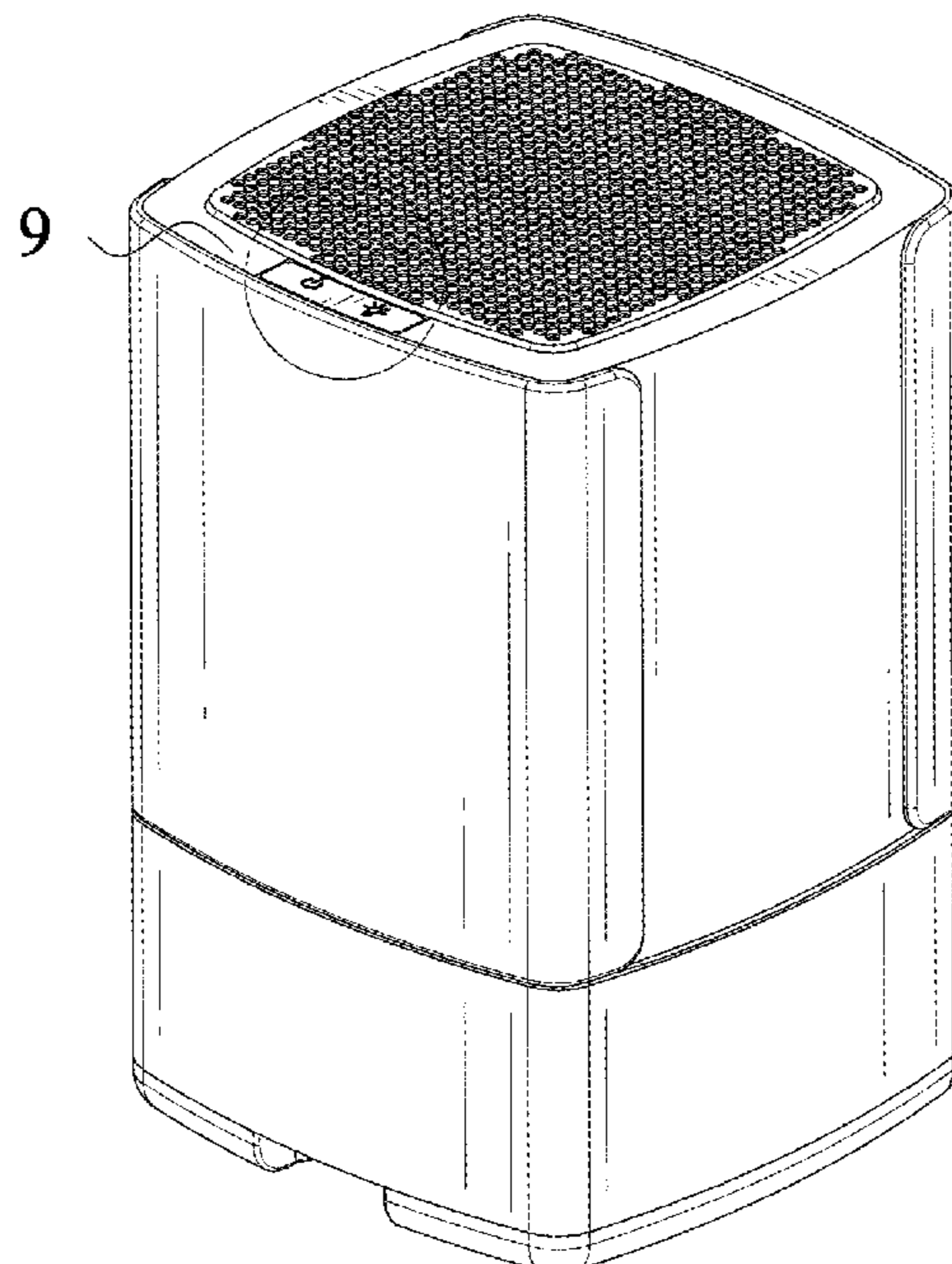
The ornamental design for a dehumidifier, as shown and described.

**DESCRIPTION**

FIG. 1 is a front, right, and top perspective view of a dehumidifier, showing my design.  
 FIG. 2 is a rear, left, and bottom perspective view thereof.  
 FIG. 3 is a front elevation view thereof.  
 FIG. 4 is a rear elevation view thereof.  
 FIG. 5 is a left side elevation view thereof.  
 FIG. 6 is a right side elevation view thereof.  
 FIG. 7 is a top plan view thereof.  
 FIG. 8 is a bottom plan view thereof.  
 FIG. 9 is a partial enlarged view of an area labeled 9 in FIG. 1 comprising an adjusting knob; and,  
 FIG. 10 is a front, left, top perspective view of the dehumidifier in FIG. 1, in an open state, comprising a water container and a body.  
 The broken lines shown in the drawings are included for the purpose of illustrating portions of the dehumidifier that form no part of the claimed design.

**1 Claim, 10 Drawing Sheets**

- (56) **References Cited**  
U.S. PATENT DOCUMENTS
- 9,694,369 B2 \* 7/2017 Engberg ..... B03C 3/41
- D854,133 S 7/2019 Sheng et al.
- D862,673 S \* 10/2019 Tang ..... D23/364
- D899,571 S 10/2020 Li
- D917,683 S \* 4/2021 Xie ..... D23/359
- D918,366 S \* 5/2021 Li ..... D23/359
- D922,554 S \* 6/2021 Qin ..... D23/356



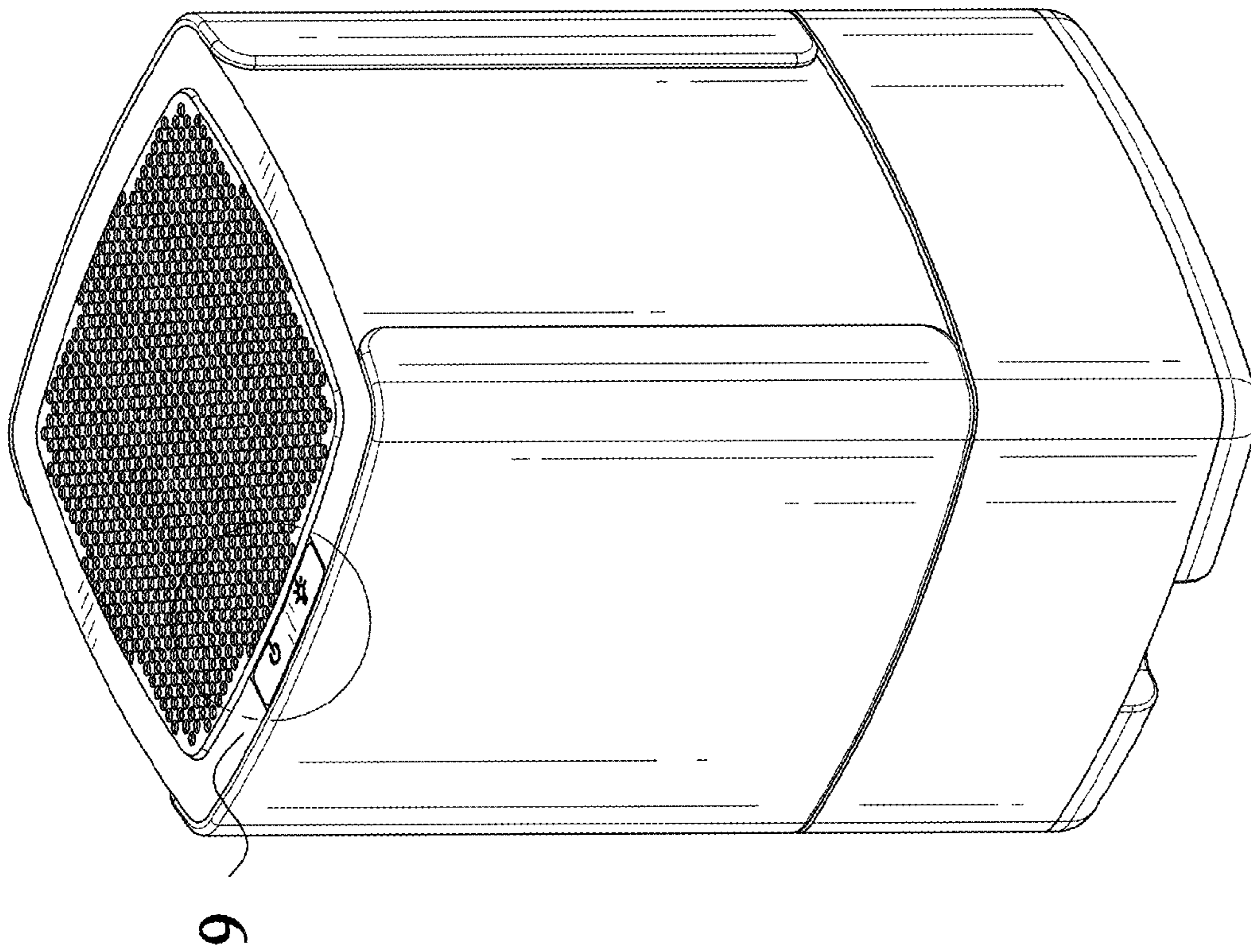


FIG.1

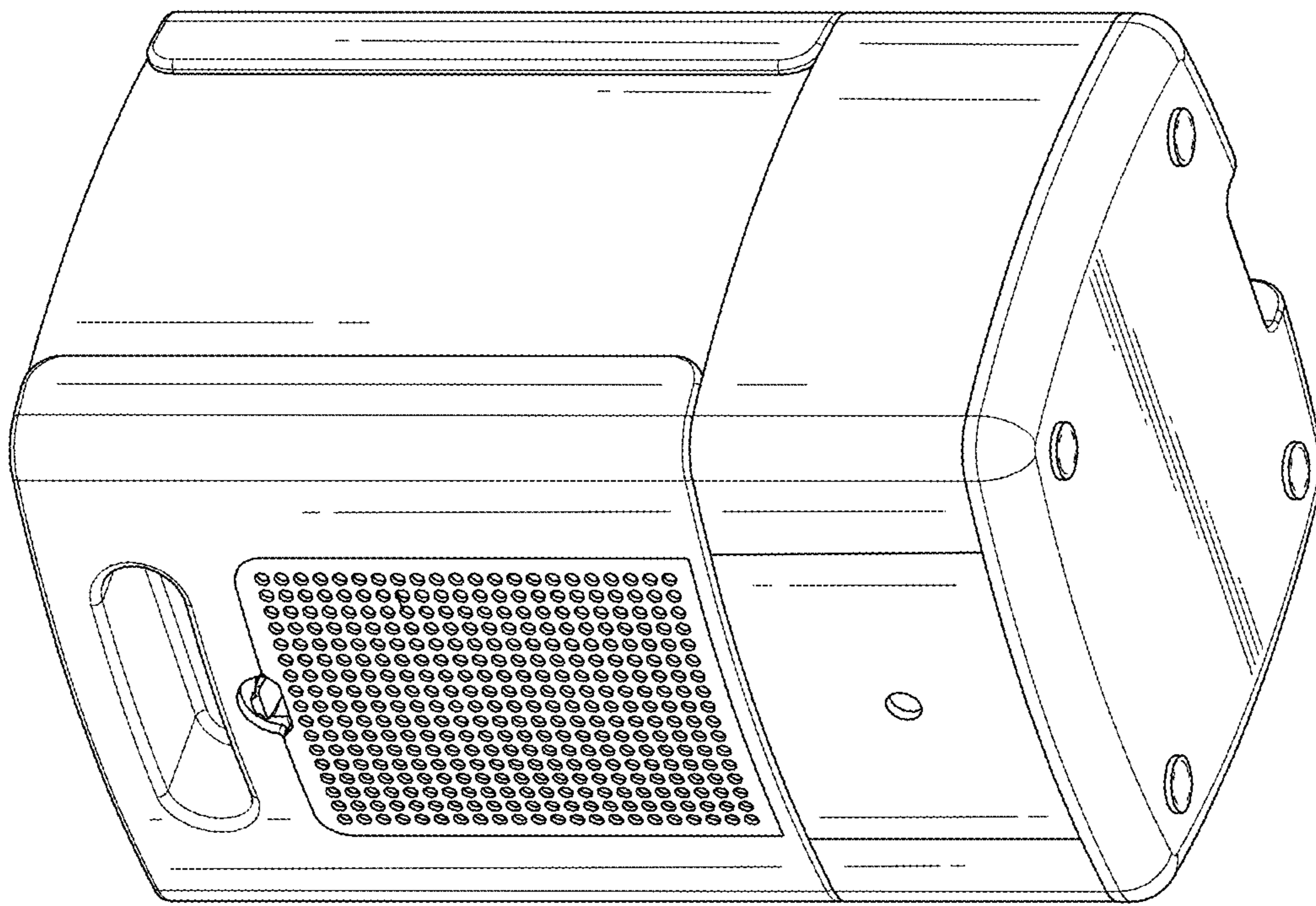


FIG.2

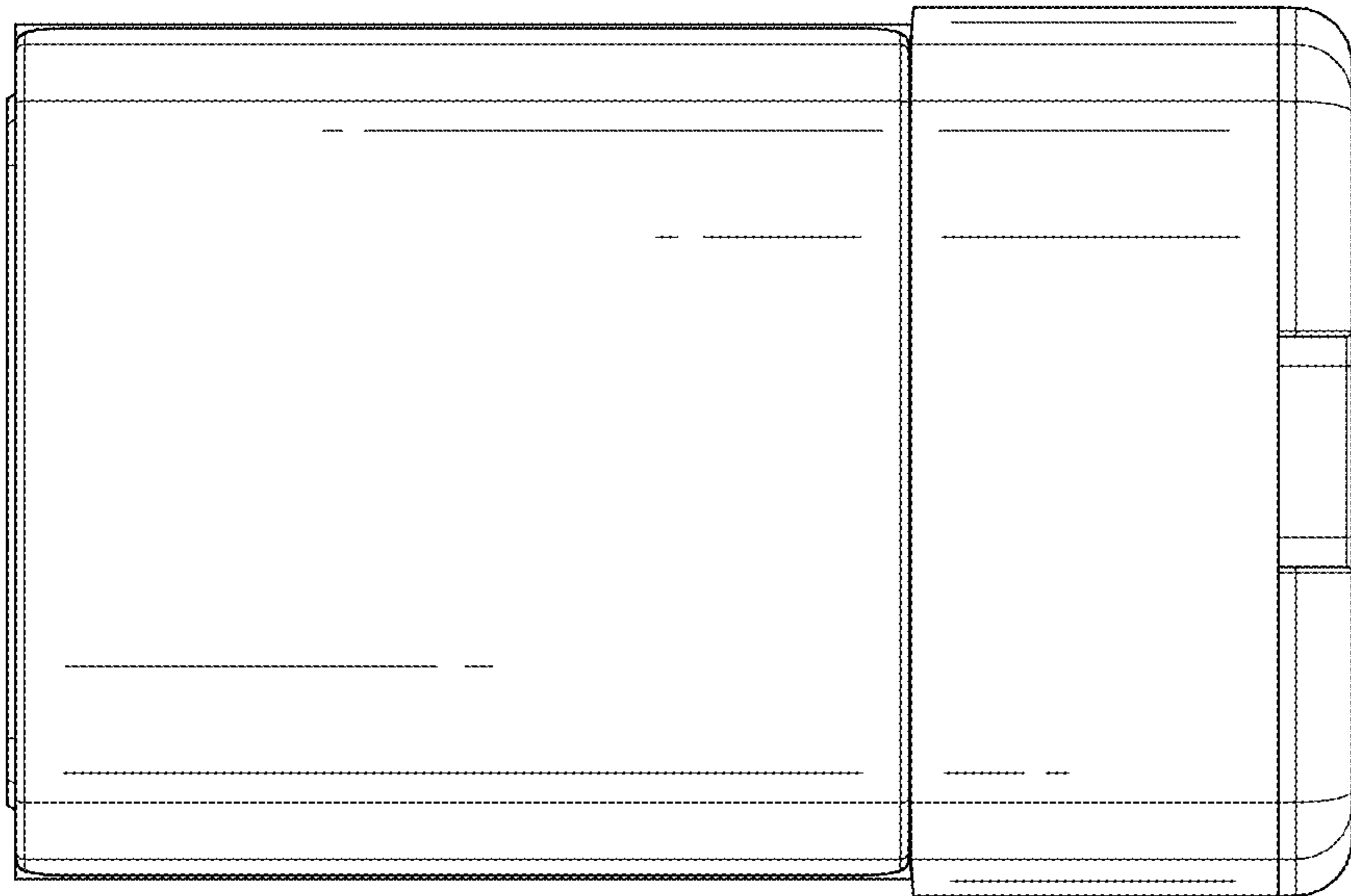


FIG.3



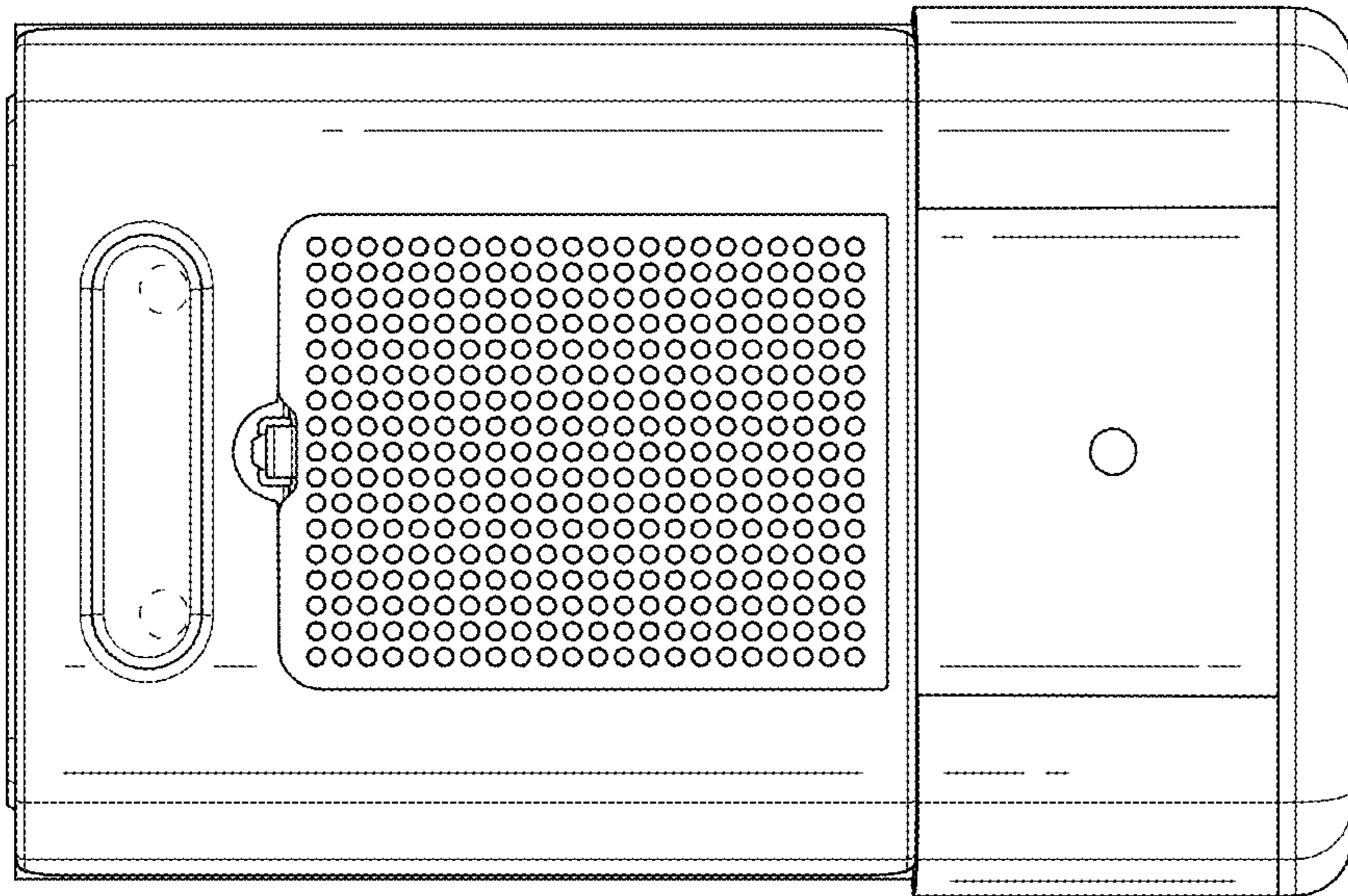


FIG.4

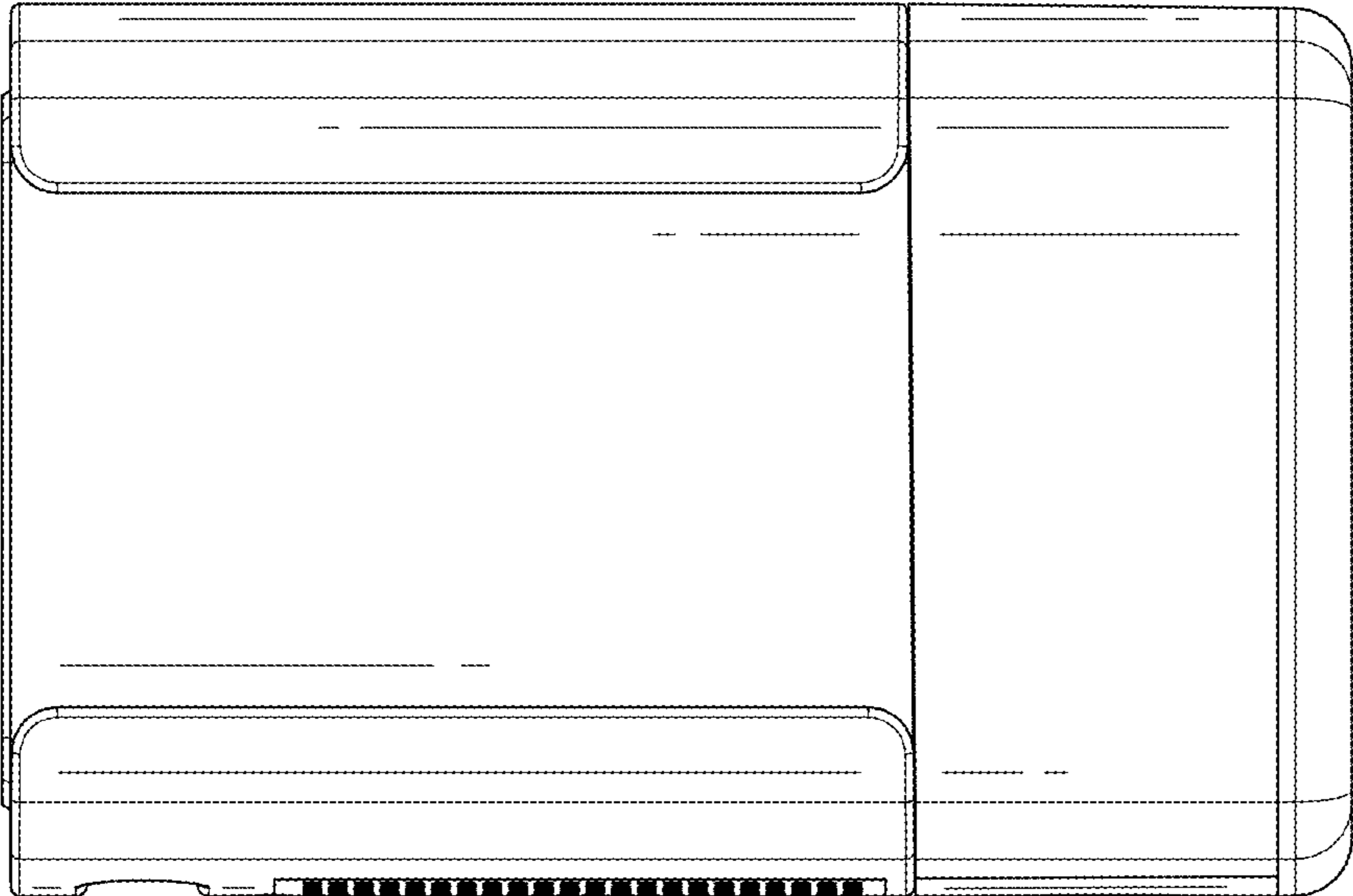


FIG.5

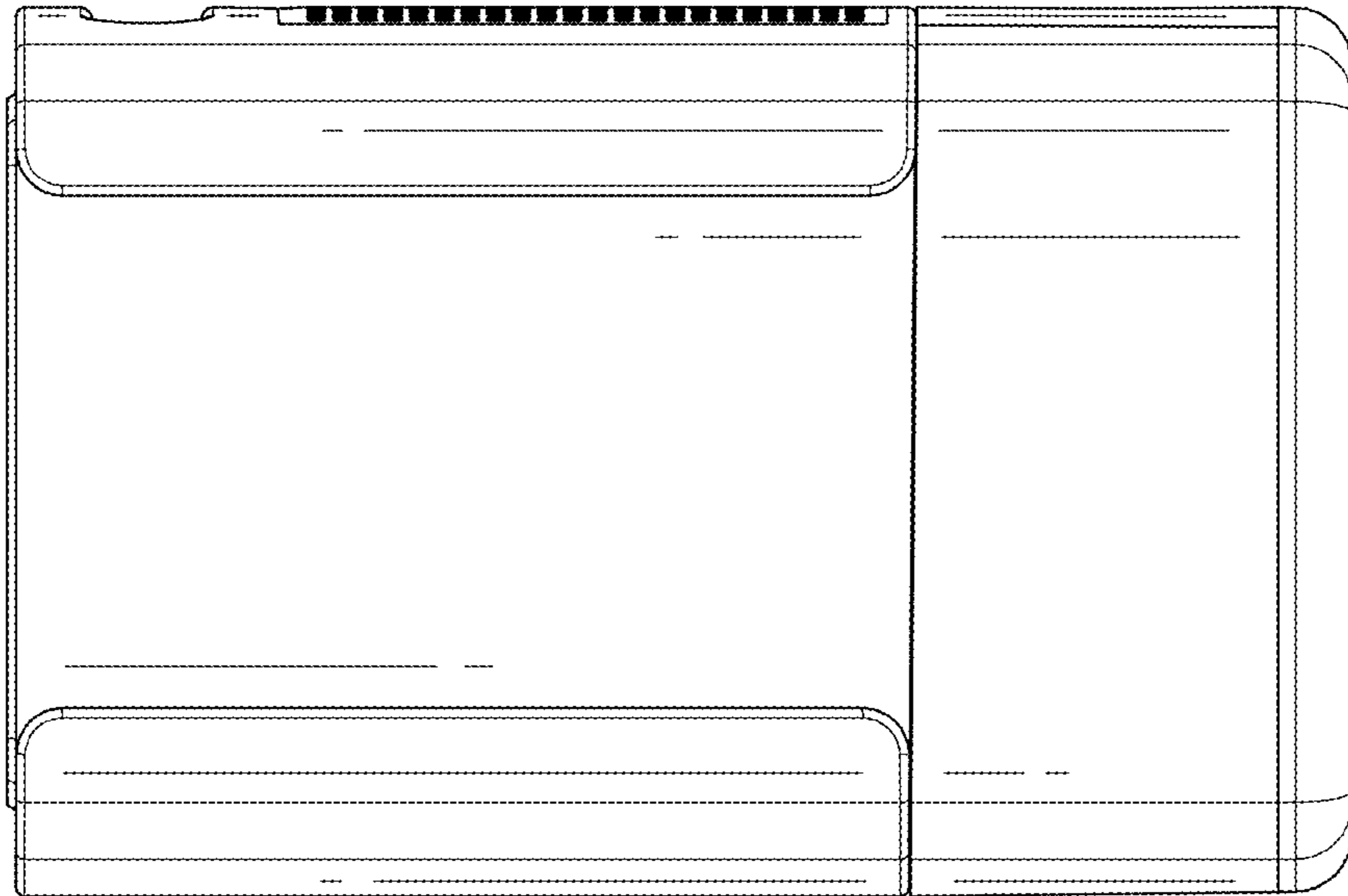


FIG.6

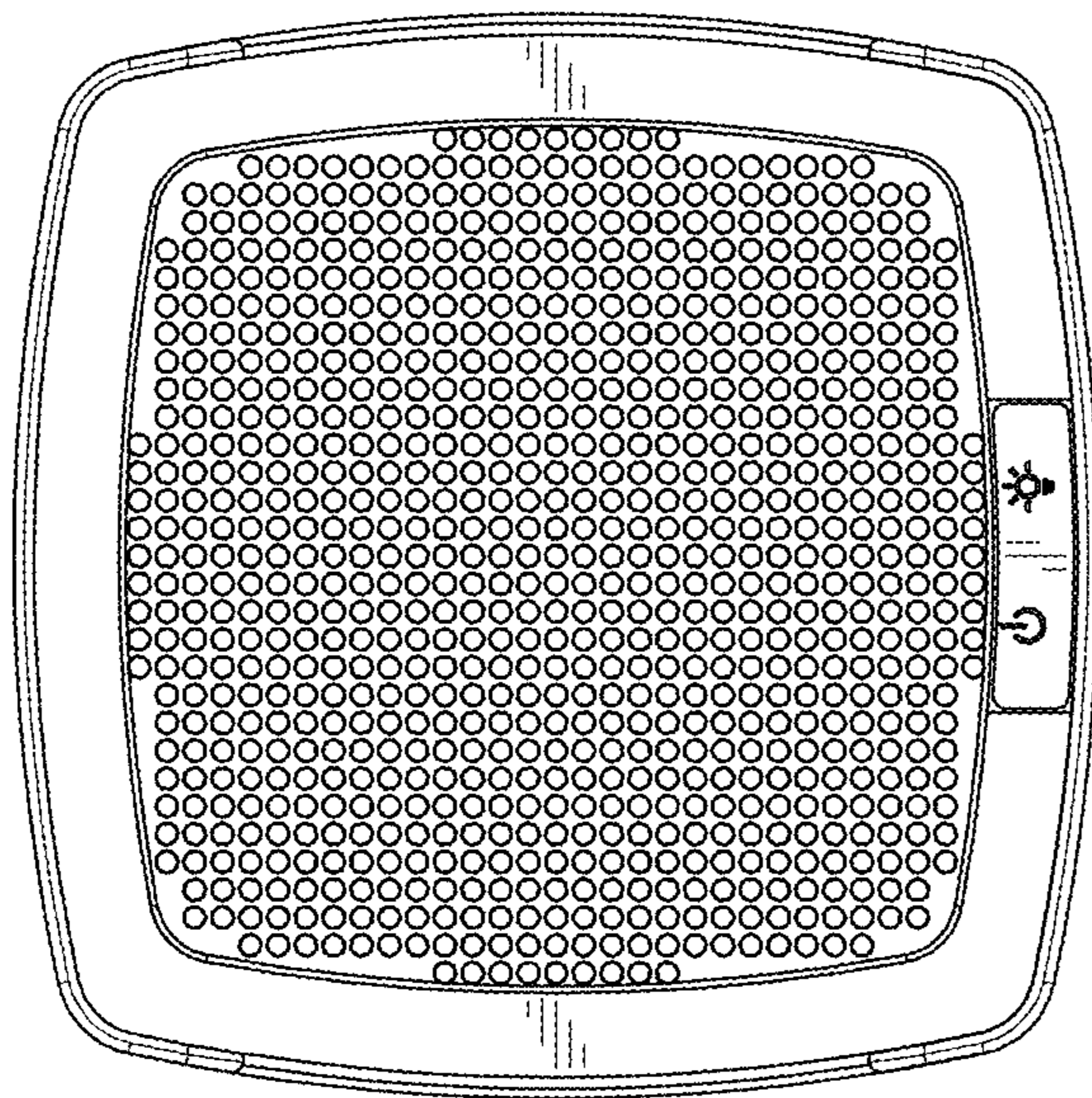


FIG.7



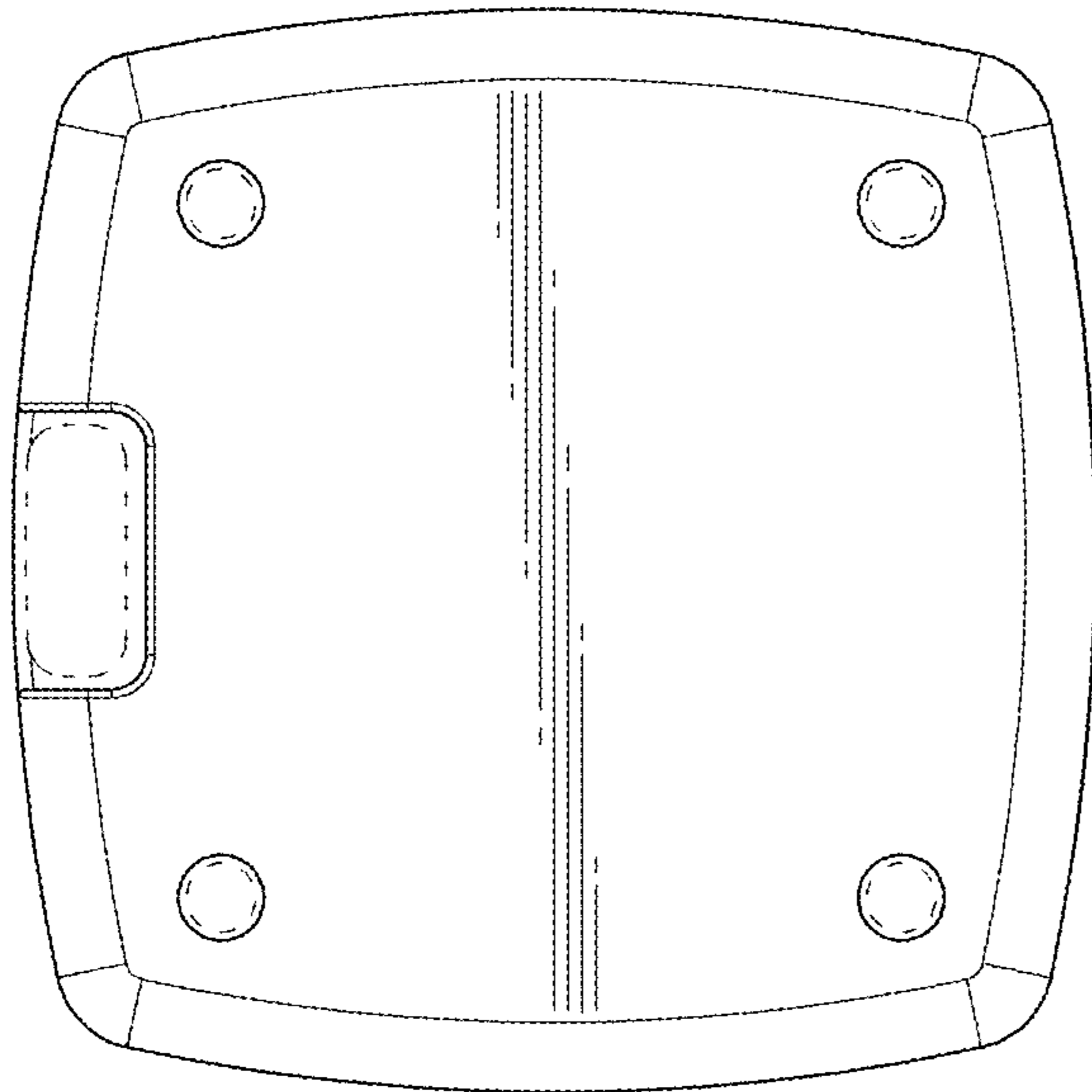


FIG. 8

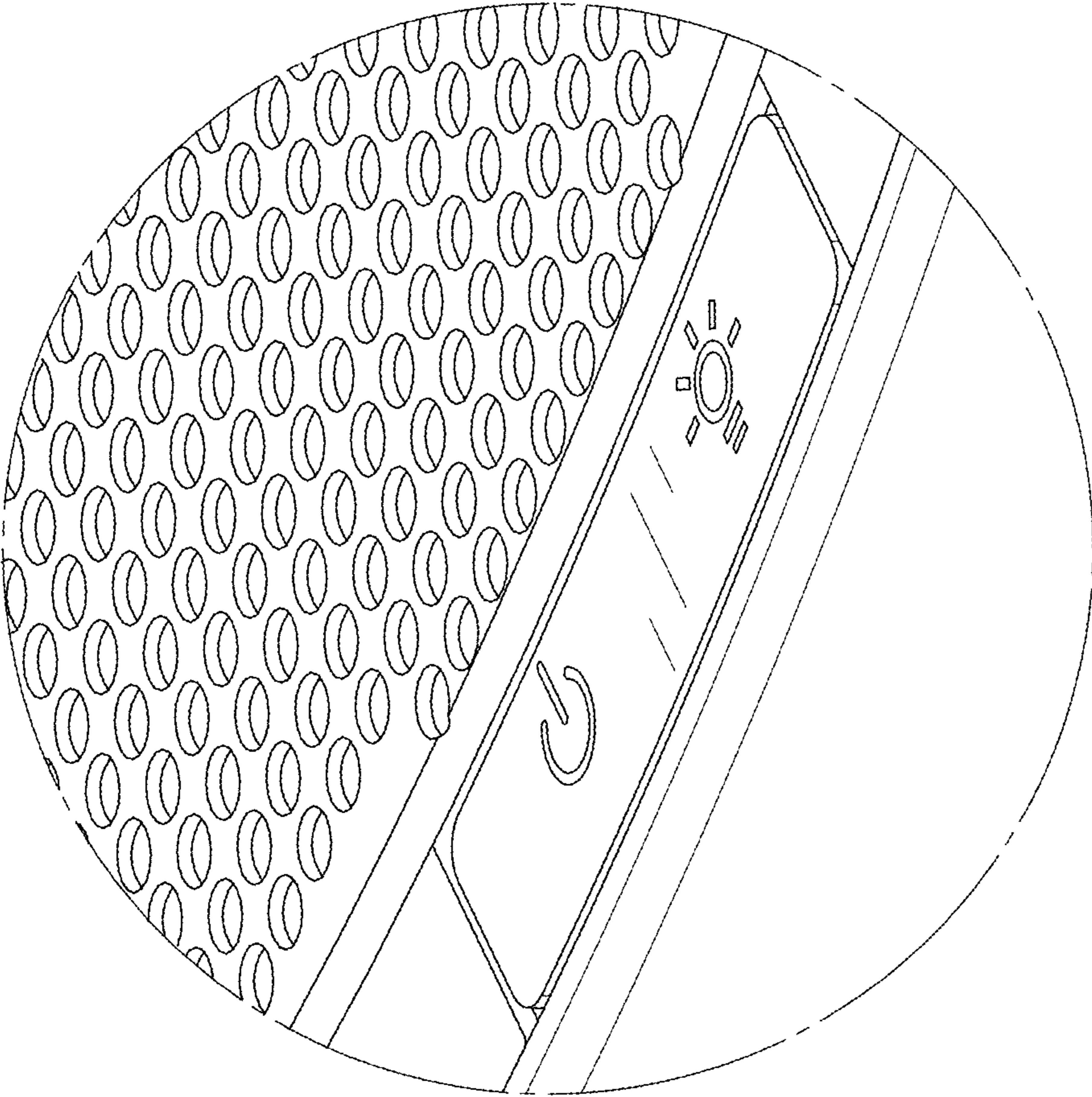


FIG.9

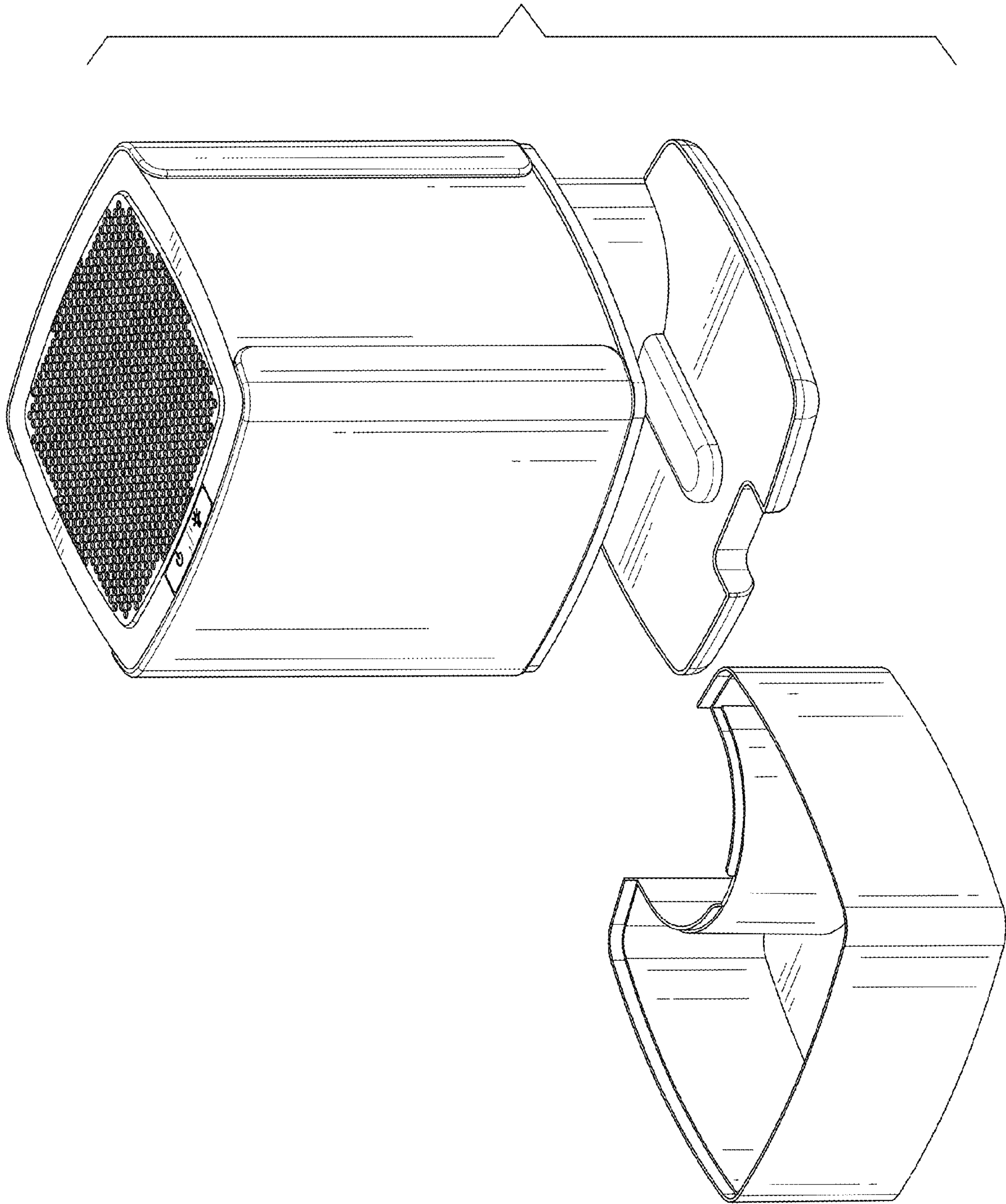


FIG.10