



US00D941977S

(12) **United States Design Patent** (10) **Patent No.:** **US D941,977 S**
Müller (45) **Date of Patent:** **** Jan. 25, 2022**

(54) **ROTARY EVAPORATOR**

(71) Applicant: **Büchi Labortechnik AG**, Flawil (CH)

(72) Inventor: **Ruedi August Müller**, Küsnacht (CH)

(73) Assignee: **BÜCHI LABORTECHNIK AG**,
Flawil (CH)

(**) Term: **15 Years**

(21) Appl. No.: **29/682,070**

(22) Filed: **Mar. 1, 2019**

Related U.S. Application Data

(62) Division of application No. 29/540,311, filed on Sep. 23, 2015, now abandoned, which is a division of application No. 29/476,604, filed on Dec. 16, 2013, now Pat. No. Des. 748,232.

Foreign Application Priority Data

(30) Jun. 17, 2013 (WO) 744487701

(51) **LOC (13) Cl.** **23-04**

(52) **U.S. Cl.**
USPC **D23/355**

(58) **Field of Classification Search**
USPC D23/314, 325, 329, 333, 334, 335, 342,
D23/355, 356, 358, 359, 364, 386, 387,
D23/388, 389, 390, 391; D24/232, 219
CPC ... A61L 9/00; A61L 9/20; A61L 9/205; A61L
9/01; A61L 9/015; A61L 9/14; A61L
9/16; F24F 1/00; F24F 3/16; F24F 3/166;
F24F 3/1603; F24F 3/14; F24F 3/12;
F24F 7/00; B03C 1/00; B03C 3/32; B03C
3/15; B03C 3/155; B03C 3/16; B01D
23/00; B01D 3/085; B01D 1/228; B01L
9/04

See application file for complete search history.

(56) **References Cited**

U.S. PATENT DOCUMENTS

D262,822 S	2/1982	Schindler
4,390,500 A	6/1983	Miskinis
4,522,684 A	6/1985	Saito
4,625,935 A	12/1986	Zellweger
D289,326 S	4/1987	Nishikawa

(Continued)

OTHER PUBLICATIONS

Buchi, Rotavapor System brochure (Apr. 2011) pp. 1-2.

Primary Examiner — Bao-Yen T Nguyen
(74) *Attorney, Agent, or Firm* — Finch & Maloney,
PLLC; Michael J. Bujold; Jay S. Franklin

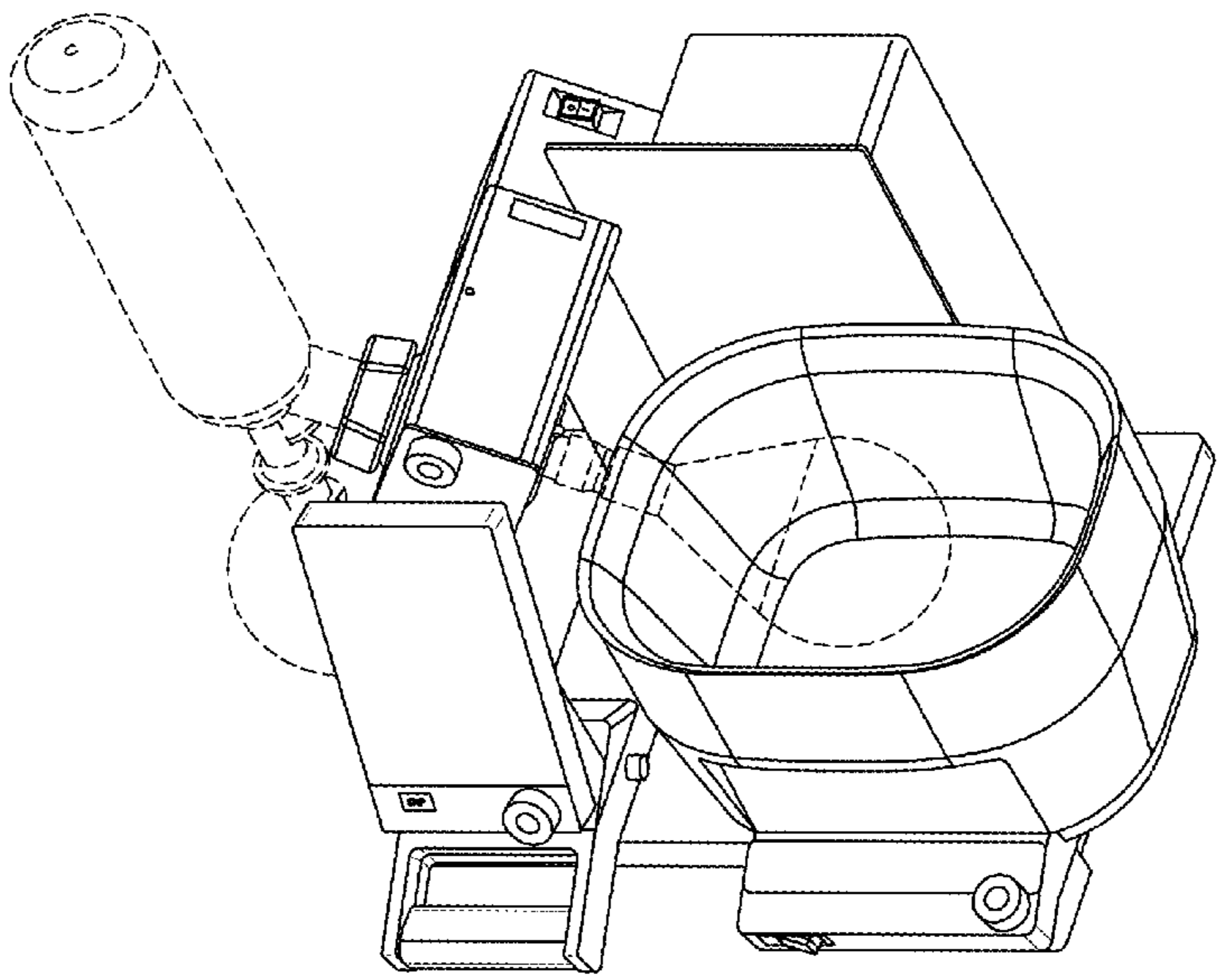
(57) **CLAIM**

The ornamental design for a rotary evaporator, as shown and described.

DESCRIPTION

FIG. 1 is a perspective view of a rotary evaporator, showing my new design from the front, top, and right side.
FIG. 2 is a front elevational view thereof;
FIG. 3 is a left side view thereof;
FIG. 4 is a rear elevational view thereof;
FIG. 5 is a right side view thereof;
FIG. 6 is a top plan view thereof;
FIG. 7 is a bottom plan view thereof;
FIG. 8 is a perspective view of a rotary evaporator, showing a second embodiment of my new design from the front, top, and right side;
FIG. 9 is a front elevational view of FIG. 8;
FIG. 10 is a left side view of FIG. 8;
FIG. 11 is a rear elevational view of FIG. 8;
FIG. 12 is a right side view of FIG. 8;
FIG. 13 is a top plan view of FIG. 8; and,
FIG. 14 is a bottom plan view of FIG. 8.
The broken lines depict portions of the article and form no part of claimed design.

1 Claim, 14 Drawing Sheets



(56)

References Cited

U.S. PATENT DOCUMENTS

4,780,178	A	10/1988	Yoshida et al.	
D302,292	S	7/1989	Snow	
D318,917	S	8/1991	Karamian	
5,073,697	A	12/1991	Uchiyama	
D323,874	S	2/1992	Hirman et al.	
D349,566	S	8/1994	O'Grady	
5,536,374	A	7/1996	Spring	
D377,973	S	2/1997	Jane et al.	
D380,820	S	7/1997	Levine et al.	
D387,176	S	12/1997	Spring	
D402,021	S	12/1998	Allen et al.	
5,919,339	A	7/1999	Ikeda	
D416,316	S	11/1999	Cox et al.	
D417,634	S	12/1999	Aebi et al.	
D432,221	S	10/2000	Cox et al.	
D554,551	S	11/2007	Ouchi et al.	
D641,855	S	7/2011	Poves et al.	
D642,252	S	7/2011	Paolazzi et al.	
2001/0020368	A1	9/2001	Spring	
2002/0148718	A1	10/2002	Genser	
2009/0065154	A1*	3/2009	McKinney	B01D 1/222 159/11.2
2010/0193345	A1	8/2010	Carl	
2011/0073459	A1	3/2011	Adjabeng	
2013/0327631	A1*	12/2013	Hauser	B01D 3/085 202/238
2014/0238620	A1	8/2014	Hauser et al.	
2014/0238621	A1	8/2014	Hauser et al.	
2021/0205730	A1*	7/2021	Loschel	B01D 5/006

* cited by examiner

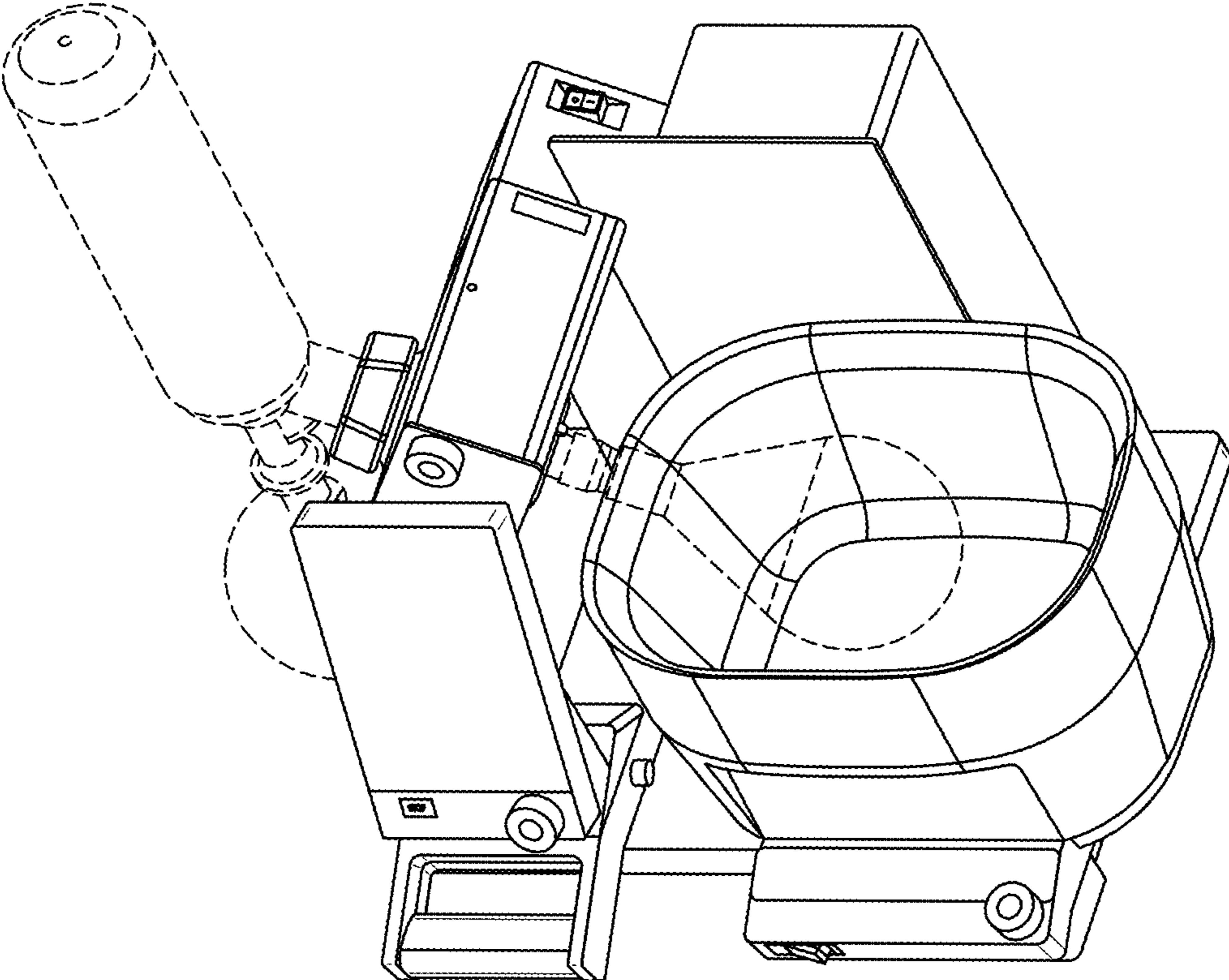


FIG. 1

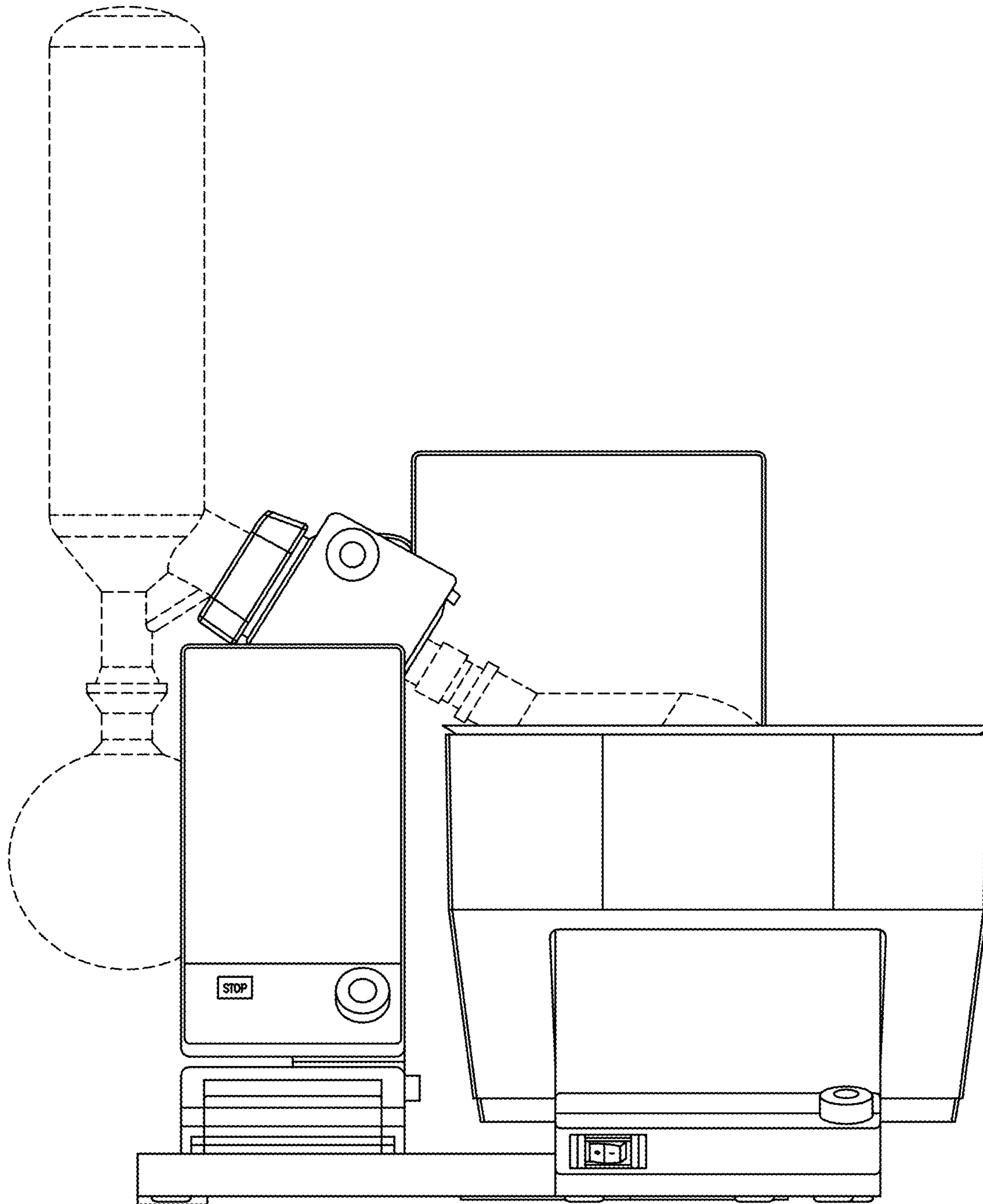


FIG.2

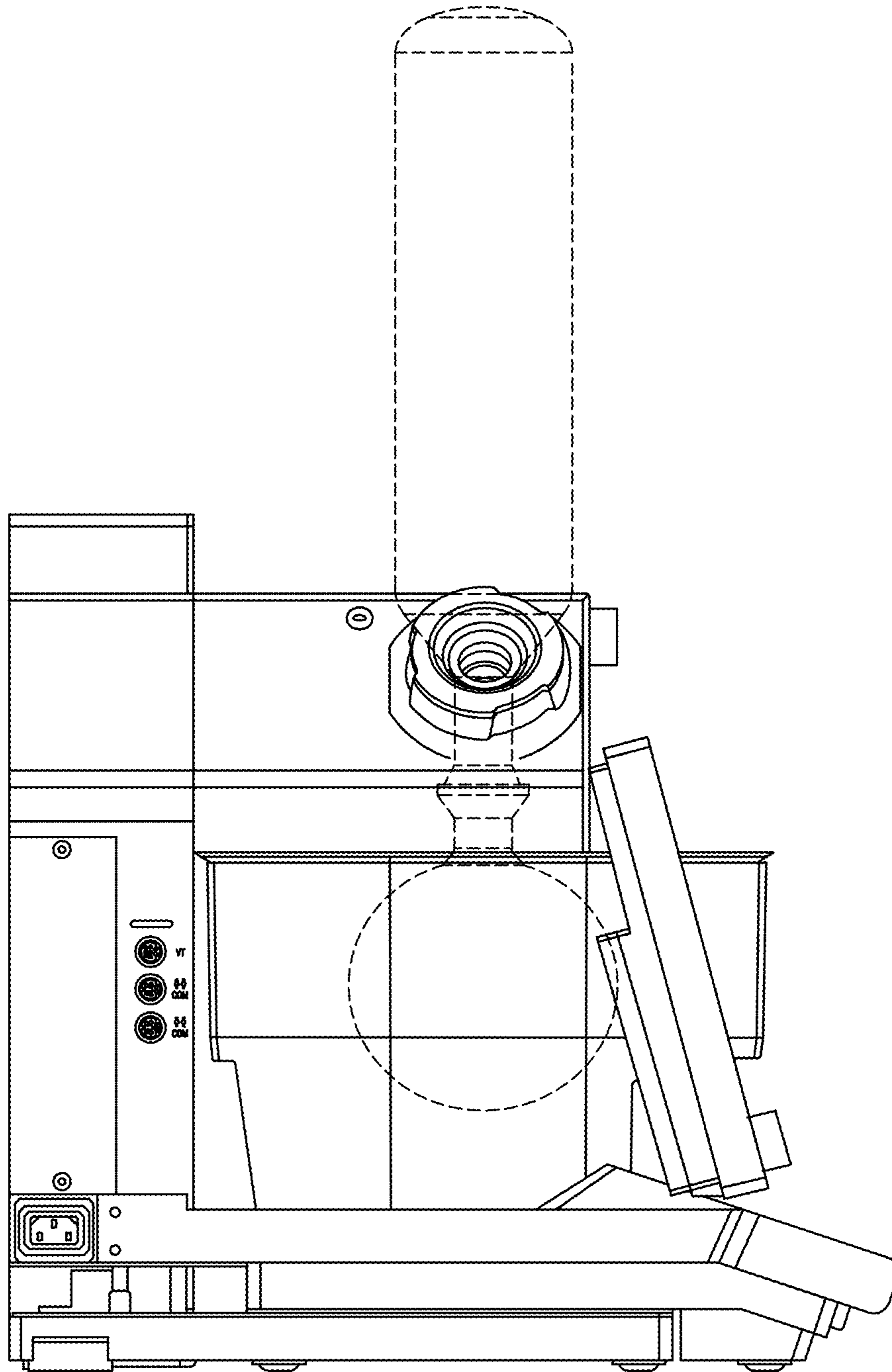


FIG.3

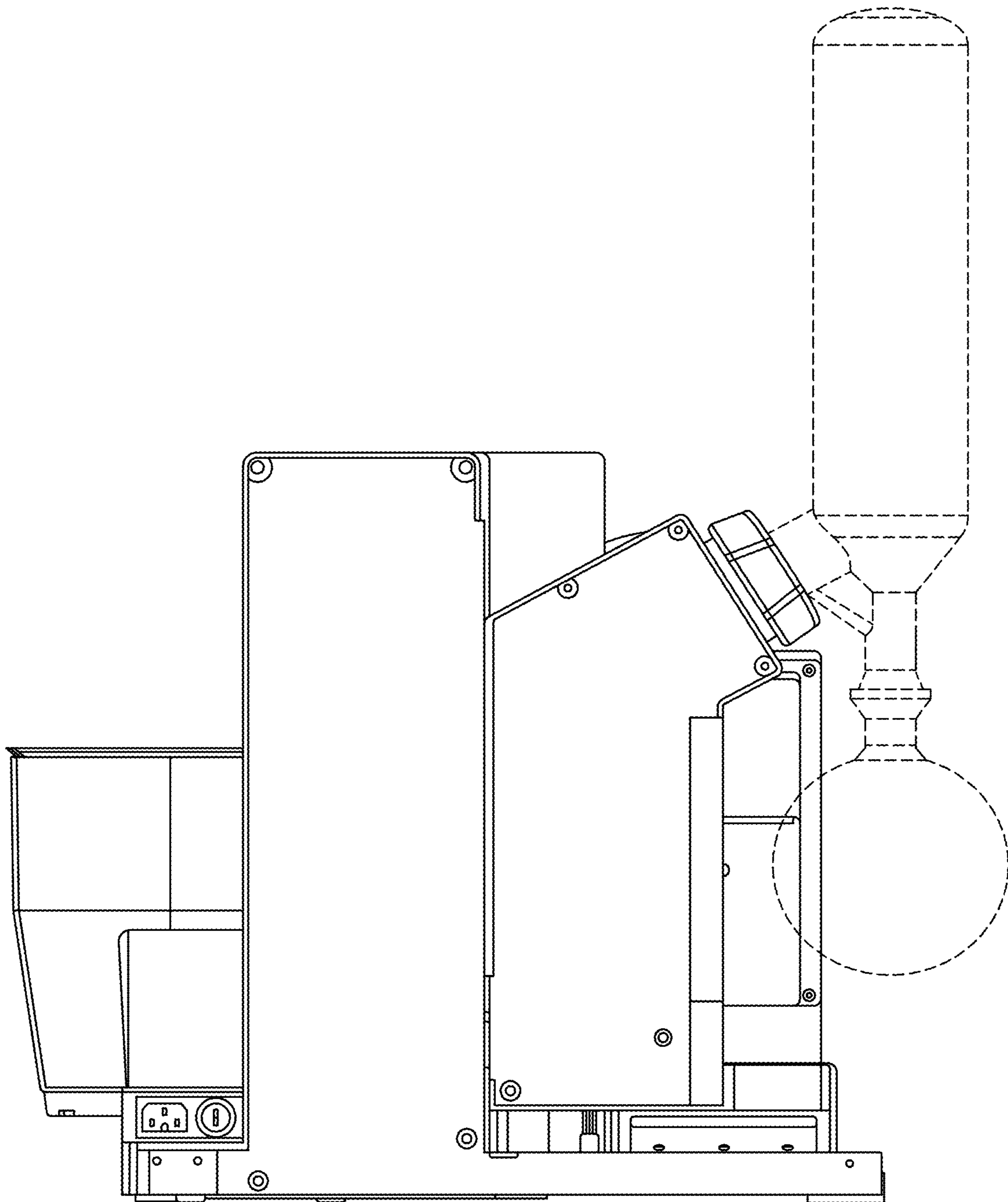


FIG. 4

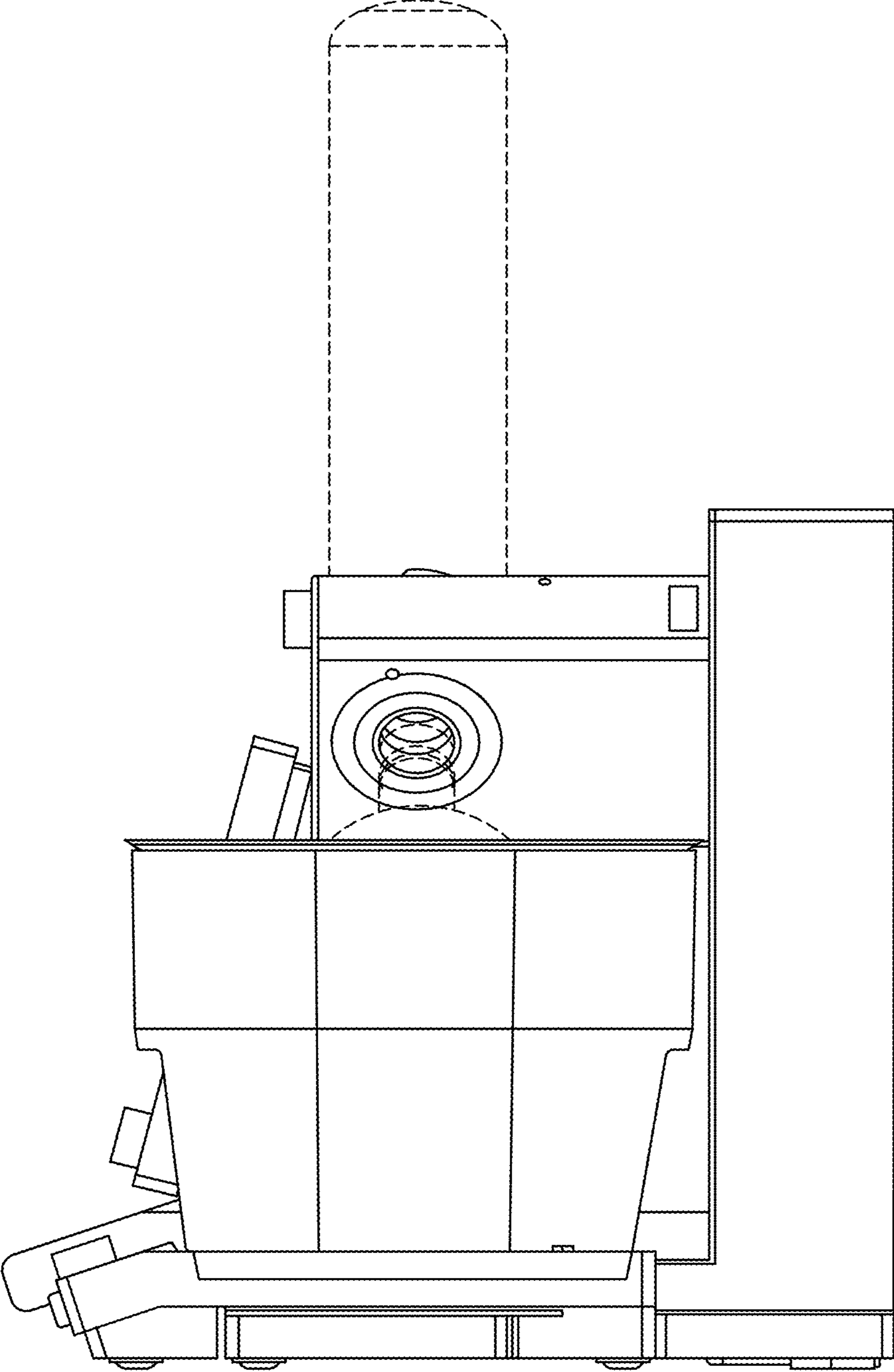


FIG.5

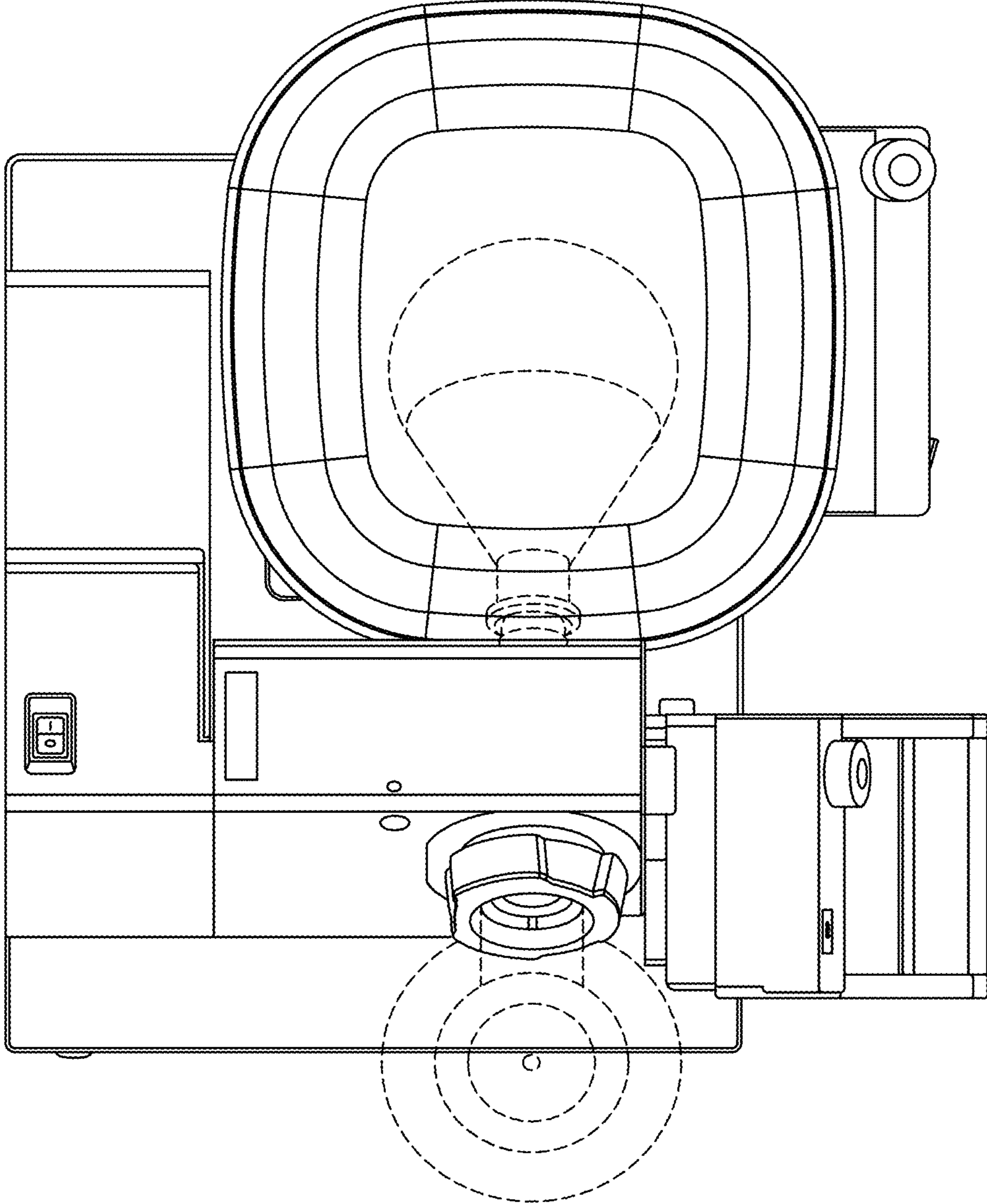


FIG.6

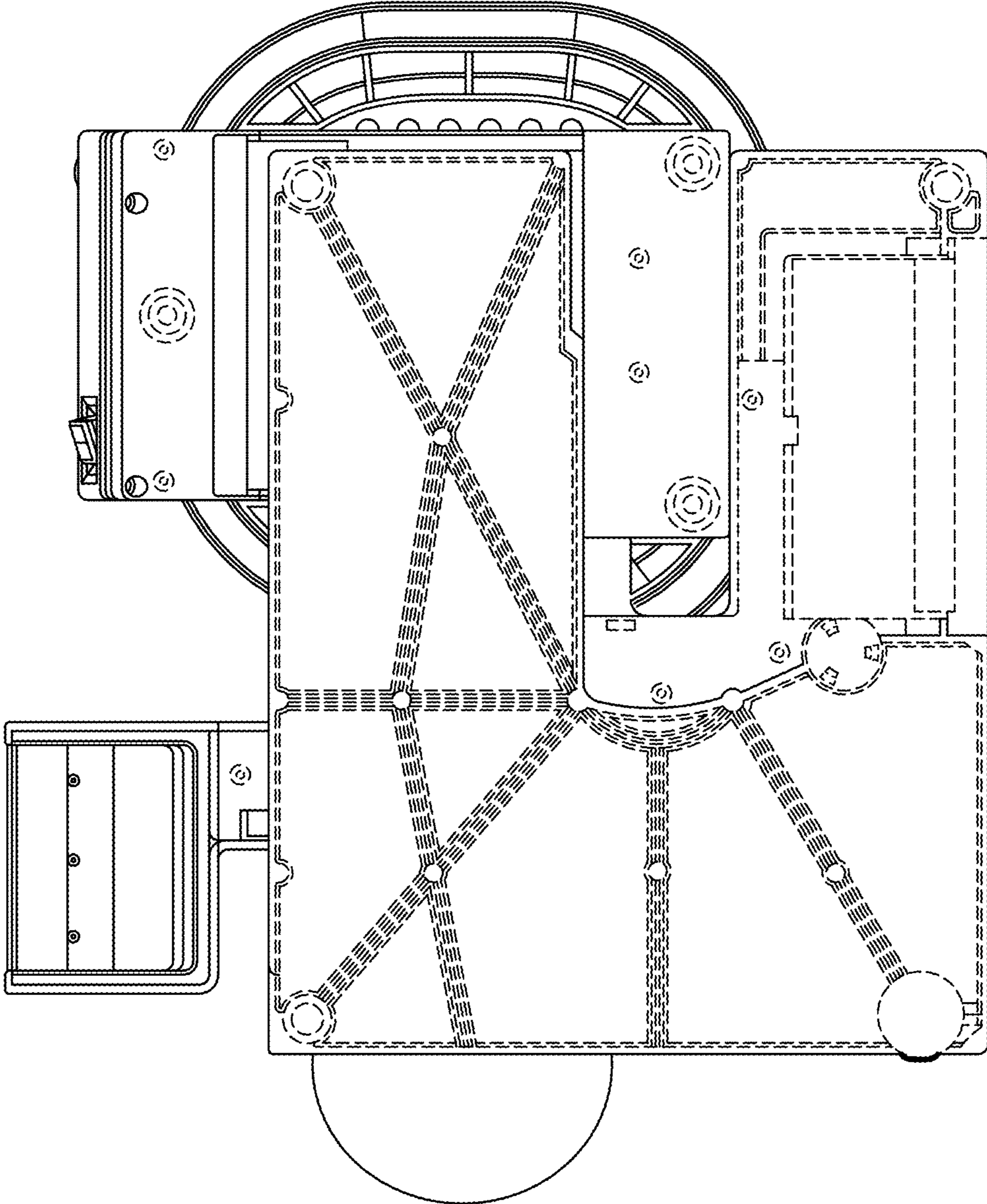


FIG.7

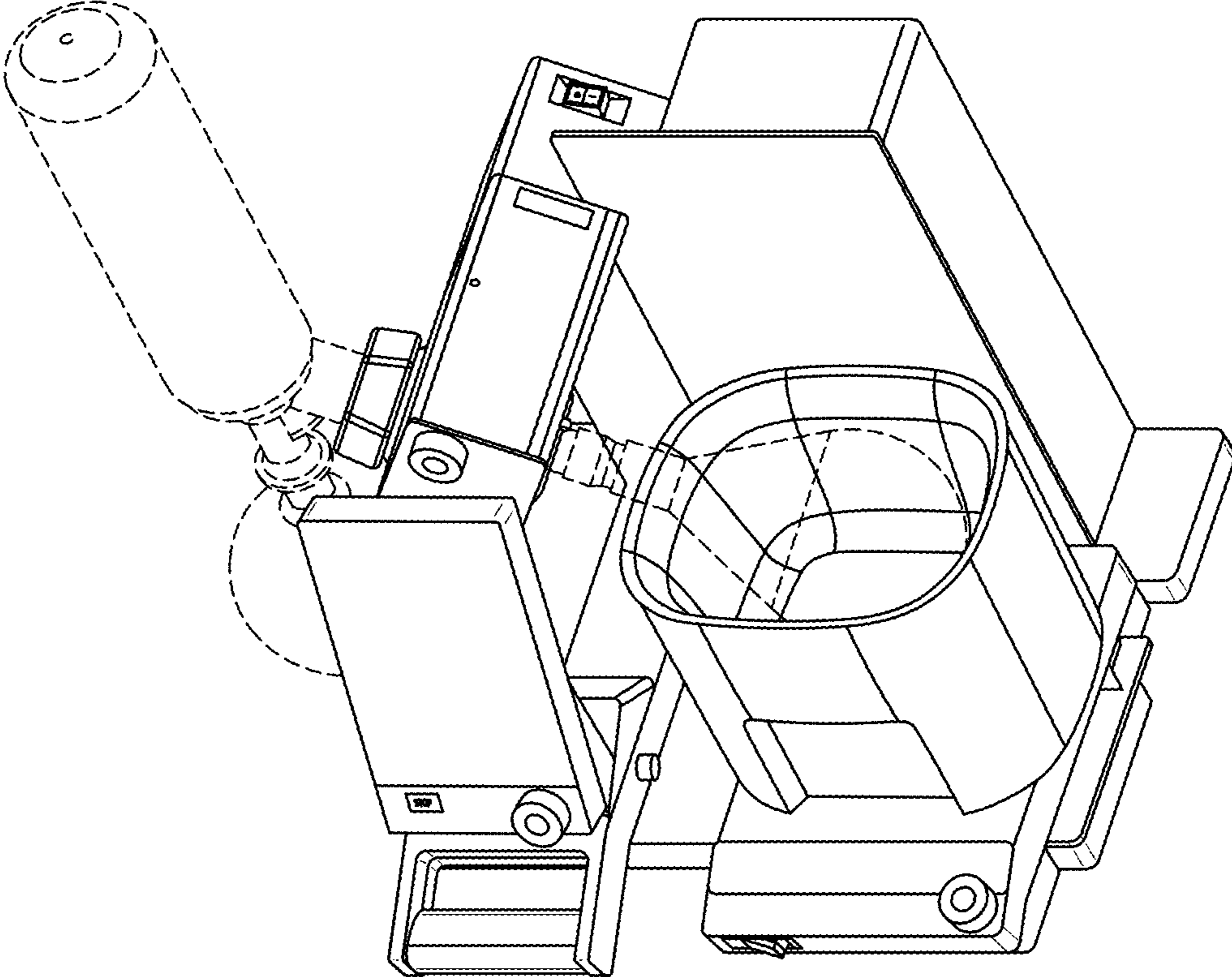


FIG.8

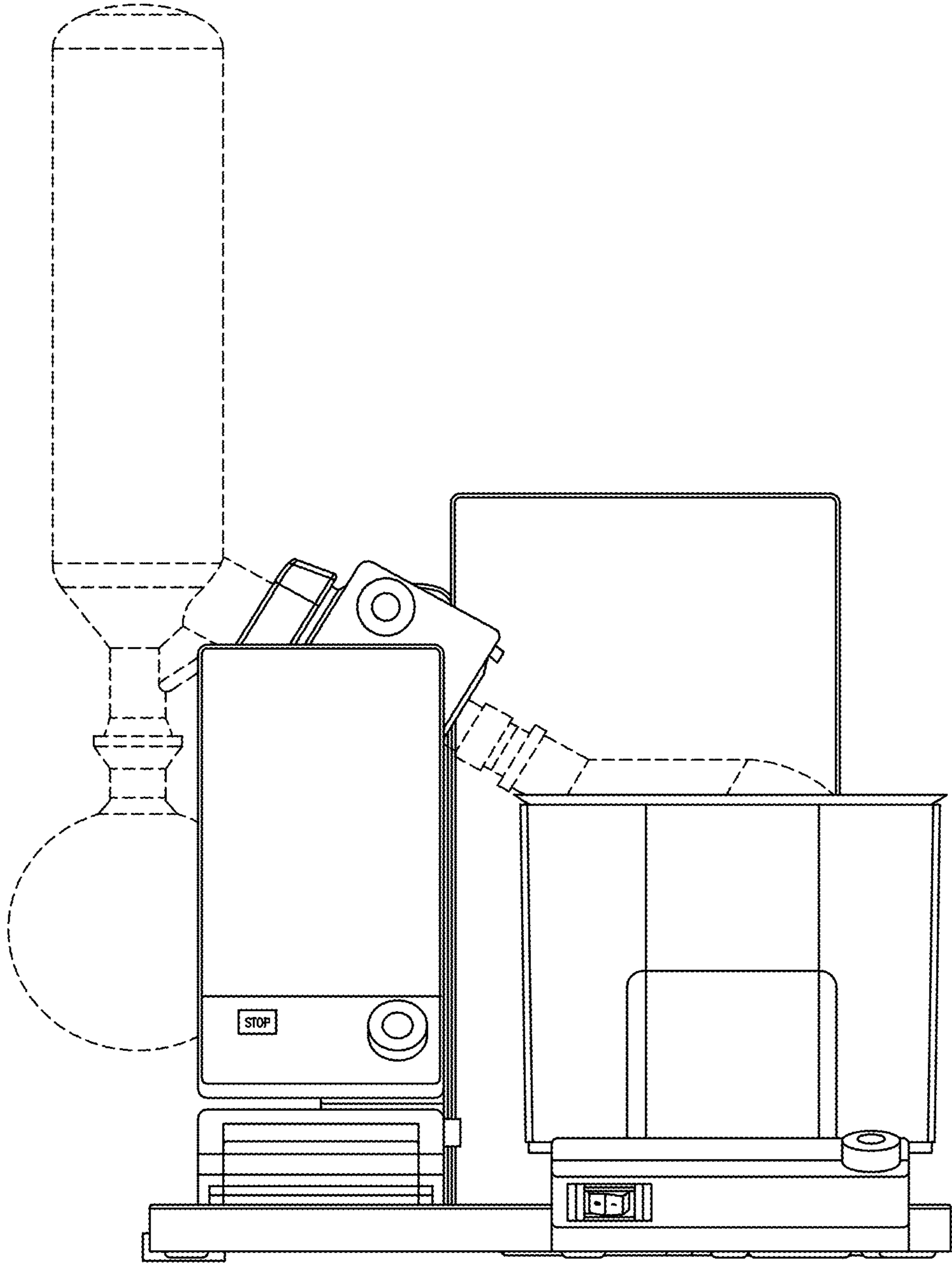


FIG.9

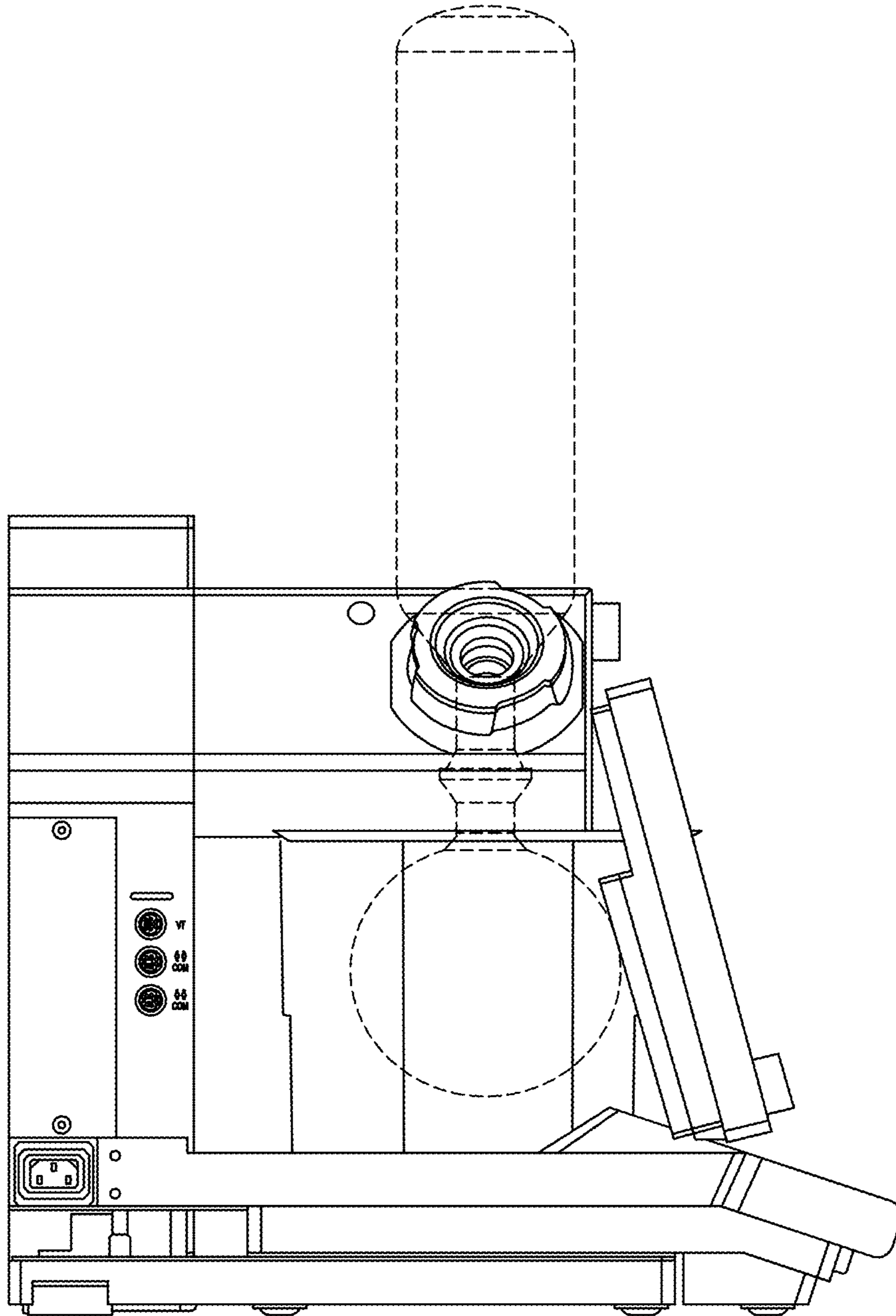


FIG.10

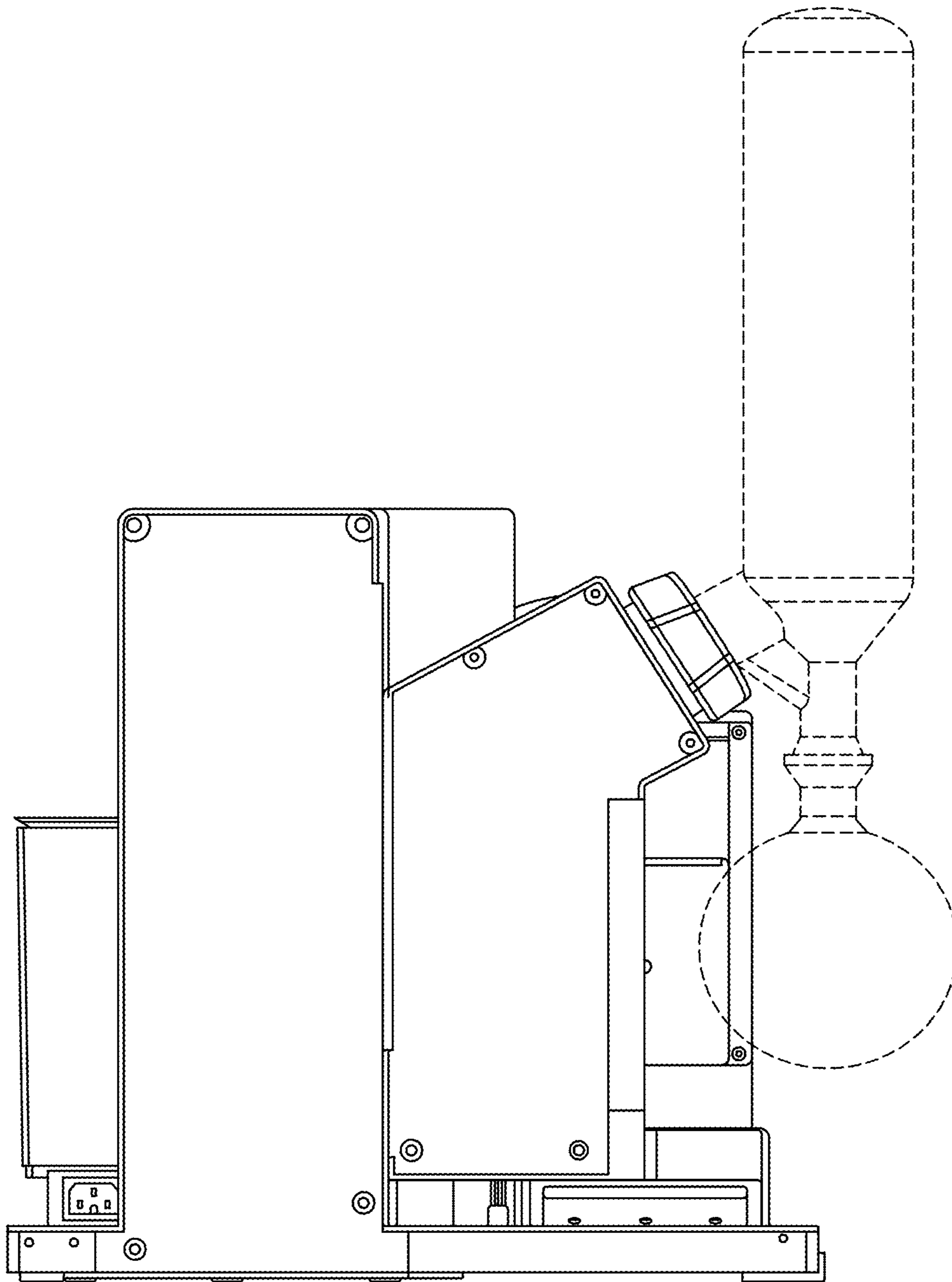


FIG. 11

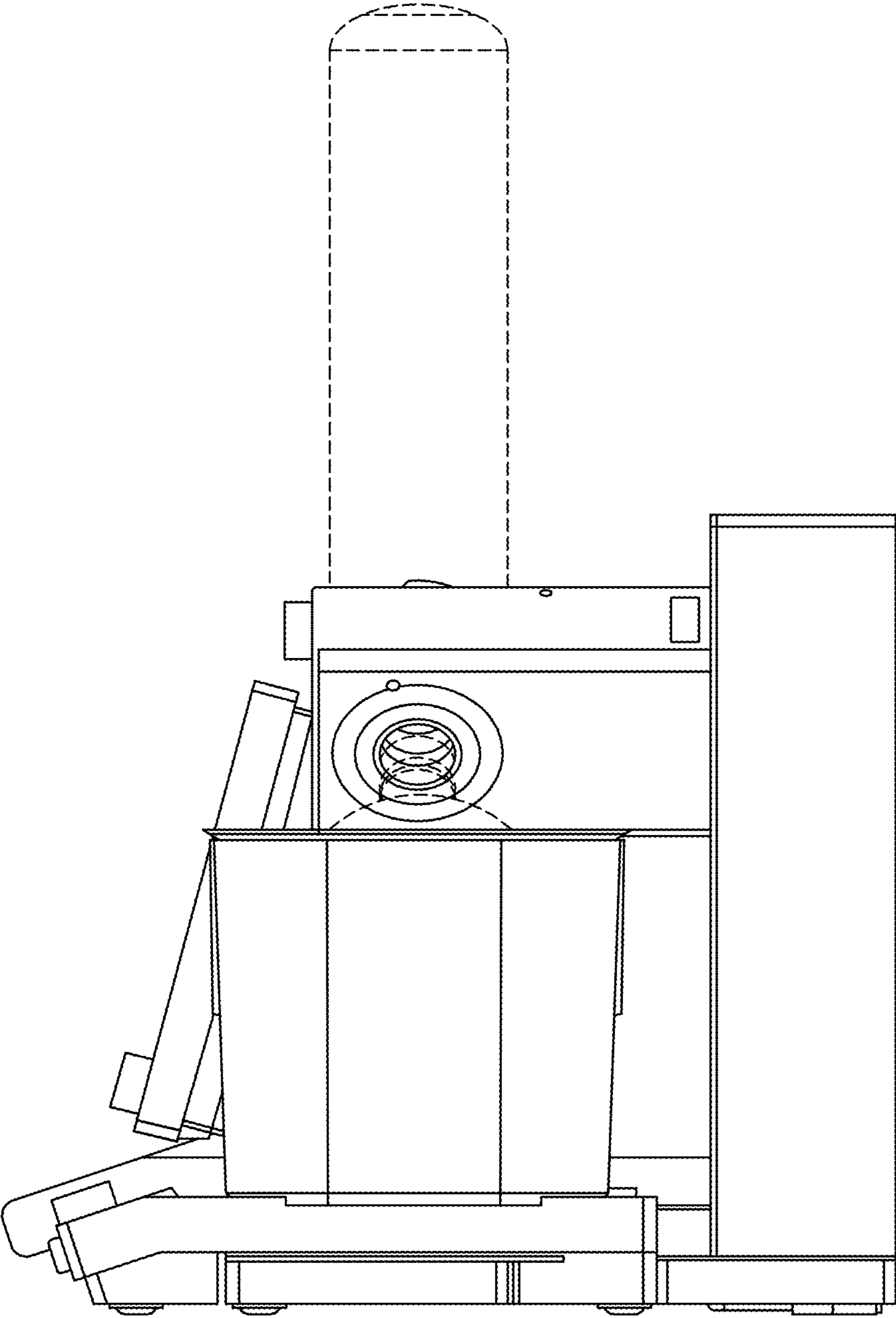


FIG.12

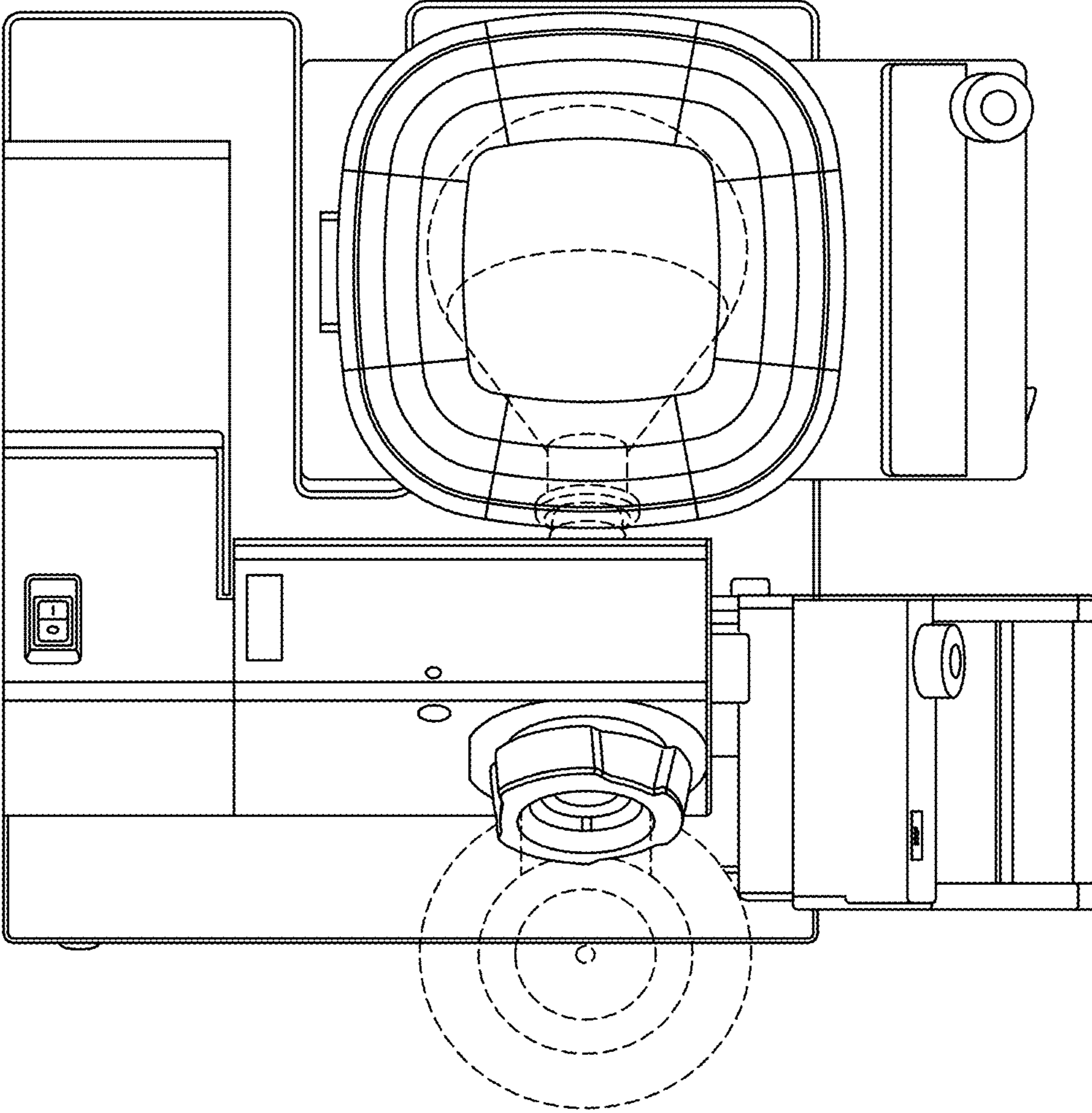


FIG.13

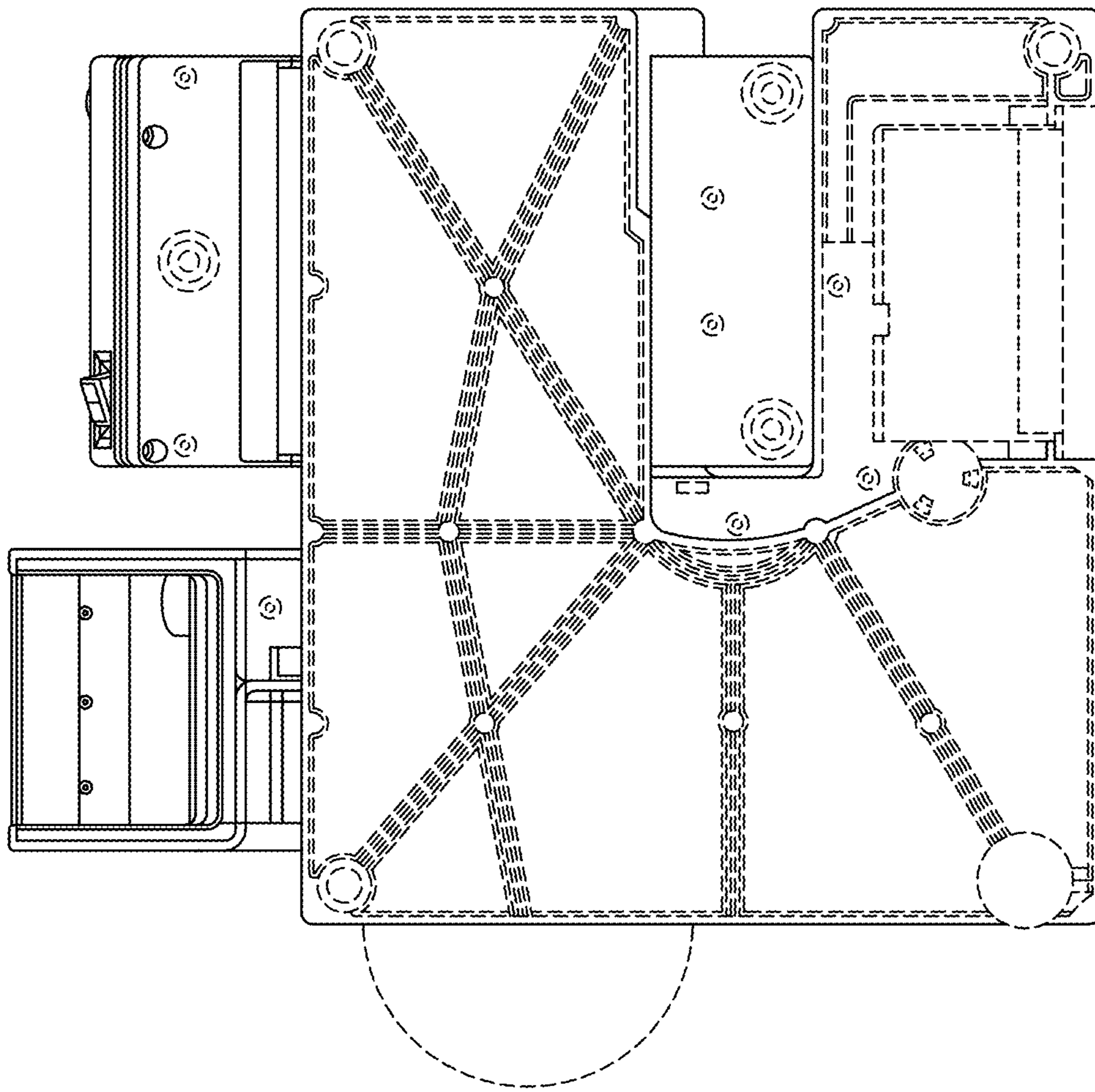


FIG.14