



US00D941975S

(12) **United States Design Patent** (10) **Patent No.:** **US D941,975 S**
Thomas (45) **Date of Patent:** **** Jan. 25, 2022**

(54) **COMBINED BARBEQUE AND PATIO HEATER**

(71) Applicant: **HESTIA CONCEPTS LTD.,**
Canterbury (GB)

(72) Inventor: **Samuel Haydn Andrew Thomas,**
Canterbury (GB)

(73) Assignee: **HESTIA CONCEPTS LTD.,**
Canterbury (GB)

(**) Term: **15 Years**

(21) Appl. No.: **29/629,445**

(22) Filed: **Dec. 13, 2017**

(30) **Foreign Application Priority Data**

Jun. 14, 2017 (EM) 004048221-0001
Jun. 14, 2017 (EM) 004048221-0002
Jun. 14, 2017 (EM) 004048221-0003

(51) **LOC (13) Cl.** **23-03**

(52) **U.S. Cl.**
USPC **D23/336; D7/332**

(58) **Field of Classification Search**
USPC D23/314, 317, 332, 336, 342-350, 329;
D7/332, 334-337, 339, 341
CPC F24C 7/105; F24C 1/10; F24C 3/04; F24C
7/065; F23D 14/12; F24H 3/00; A47J
2037/0777; A47J 37/0763; F24B 3/00;
F24B 1/195; F24B 1/00; F24B 13/00;
F24B 1/18; F24B 13/004; F24B 1/192;
F24B 1/181; F24B 1/182; F24B 1/1802
See application file for complete search history.

(56) **References Cited**

U.S. PATENT DOCUMENTS

616,185 A * 12/1898 Duis A01K 7/027
126/368.1
2,615,444 A * 10/1952 Shaver 126/368.1

D180,649 S * 7/1957 Harding D23/342
D244,031 S * 4/1977 Baughman D23/348
D259,386 S * 6/1981 Mulder D7/334
4,414,956 A * 11/1983 Webber F24B 1/024
126/217
D329,960 S * 10/1992 Reynolds D7/334
D443,464 S * 6/2001 Davis D7/334
D463,948 S * 10/2002 Innes D7/332
D550,022 S * 9/2007 Amajuwon D7/332
D583,185 S * 12/2008 Rutter D7/334
D669,974 S * 10/2012 McNeal D23/314
D760,531 S * 7/2016 Scheer D7/332
2015/0182075 A1 * 7/2015 Necsuliu A47J 37/0704
126/25 R
2019/0346144 A1 * 11/2019 Thomas F24B 13/00
2020/0015626 A1 * 1/2020 Corso A47J 37/0704

* cited by examiner

Primary Examiner — Ania Aman

(74) *Attorney, Agent, or Firm* — Fay Sharpe LLP

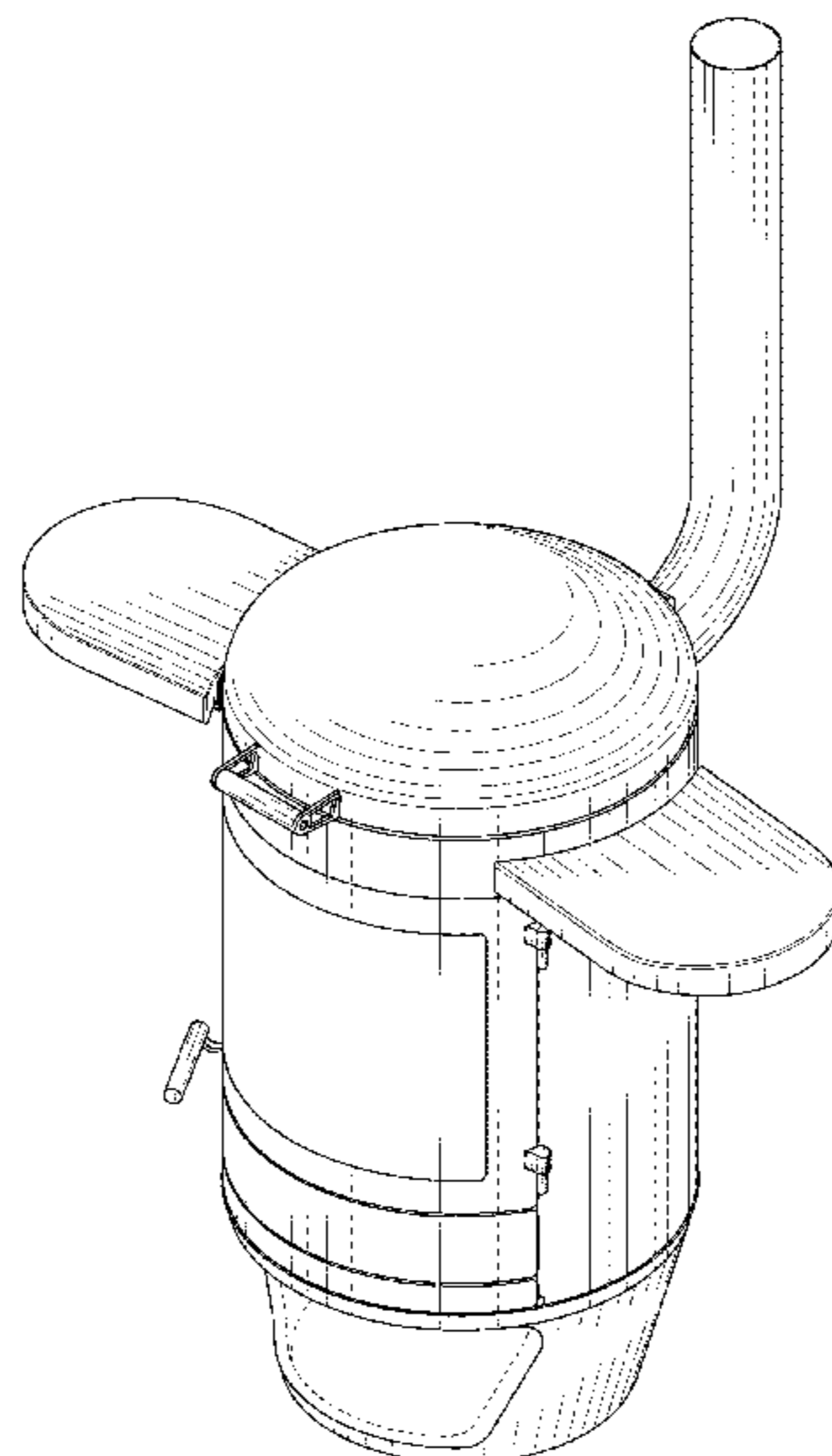
(57) **CLAIM**

The ornamental design for a combined barbeque and patio heater, as shown and described.

DESCRIPTION

FIG. 1 is a perspective view for a combined barbeque and patio heater of the present invention with the heater shown in a closed condition;
FIG. 2 is a front view thereof;
FIG. 3 is a rear view thereof;
FIG. 4 is a right side view thereof;
FIG. 5 is a left side view thereof;
FIG. 6 is a top view thereof; and,
FIG. 7 is a perspective view thereof with the combined barbeque and patio heater shown in an open condition.
The broken line shown in the drawings are for the purpose of illustrating portions of the article and form no part of the claimed design.

1 Claim, 7 Drawing Sheets



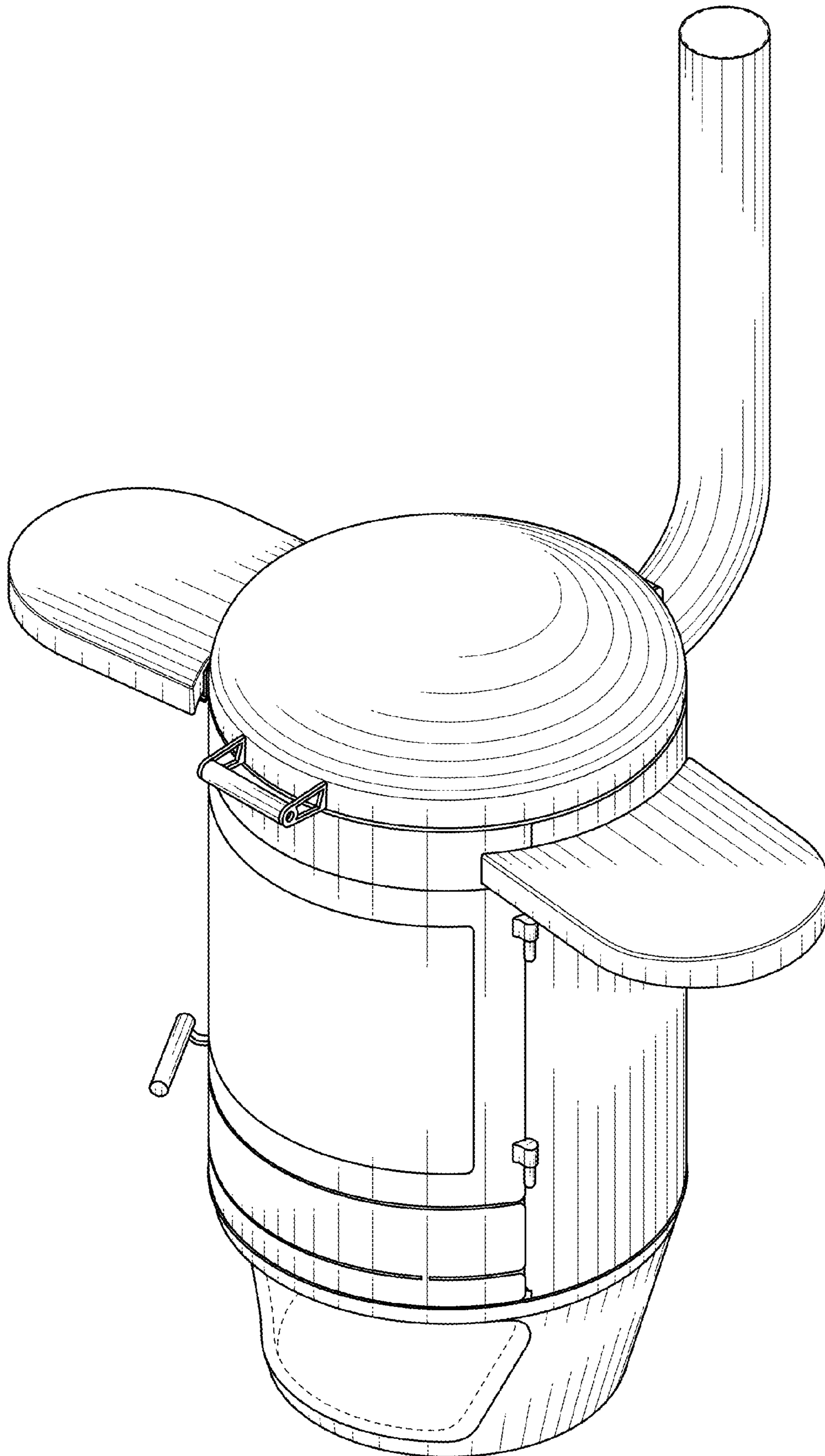


FIG. 1

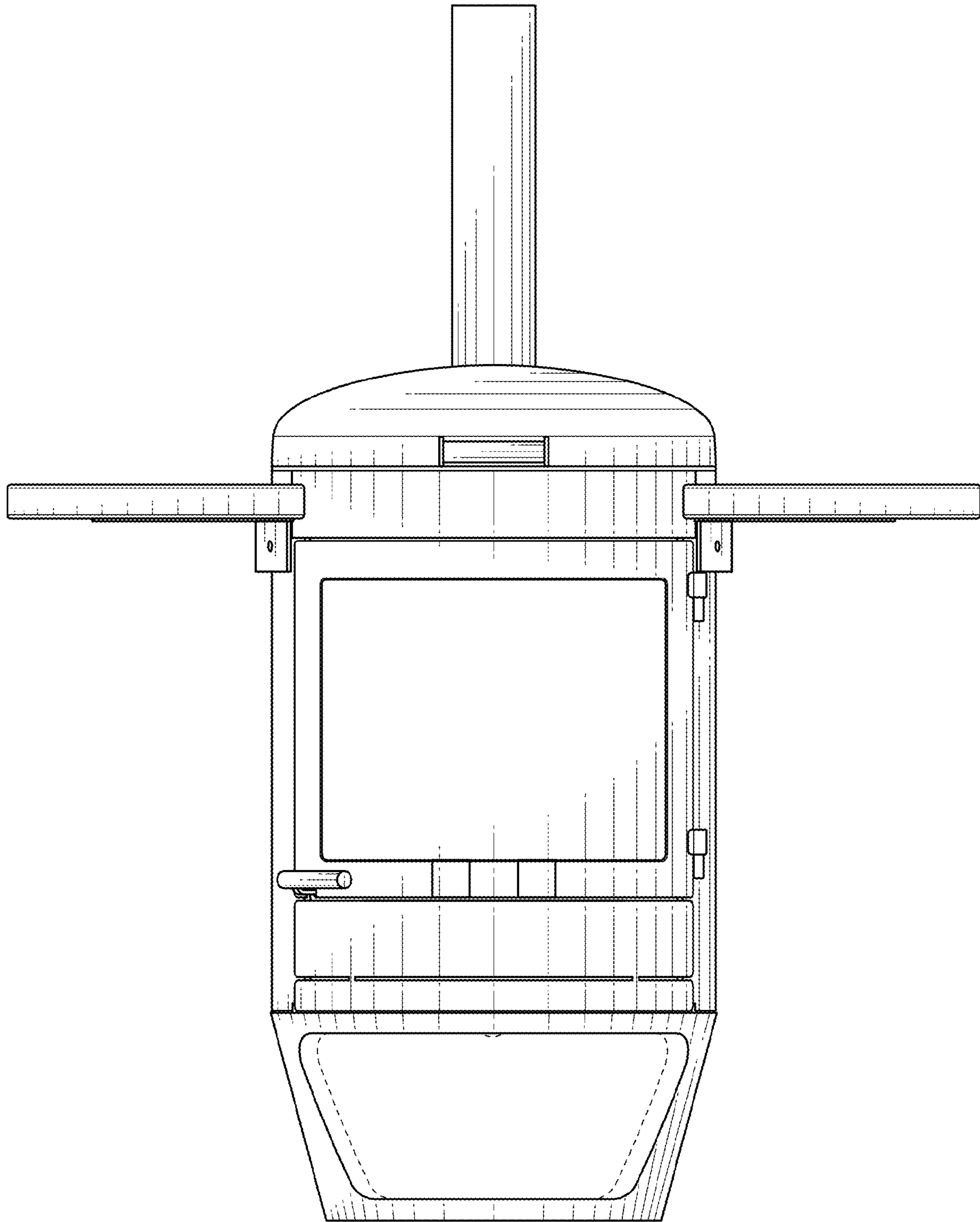


FIG. 2

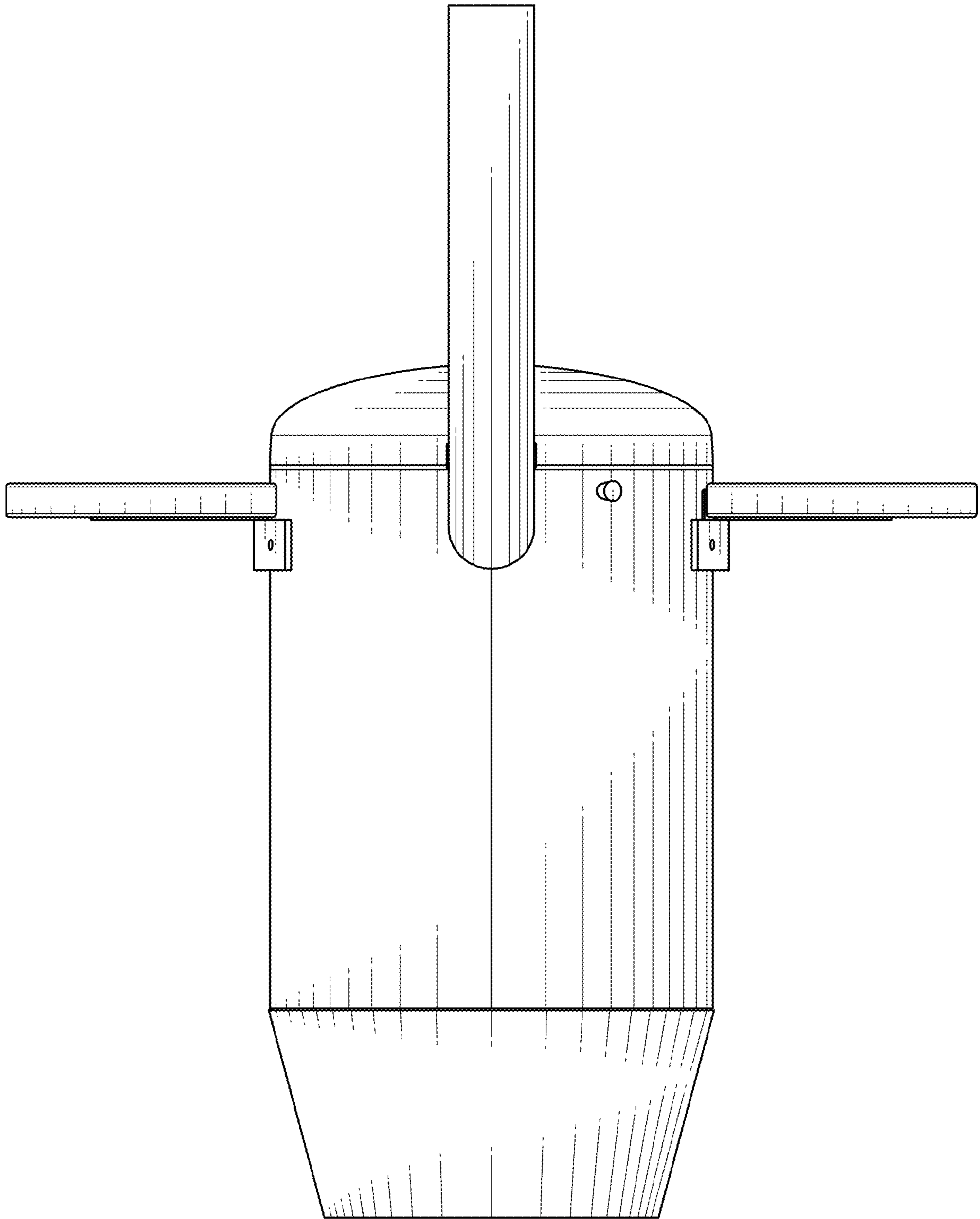


FIG. 3

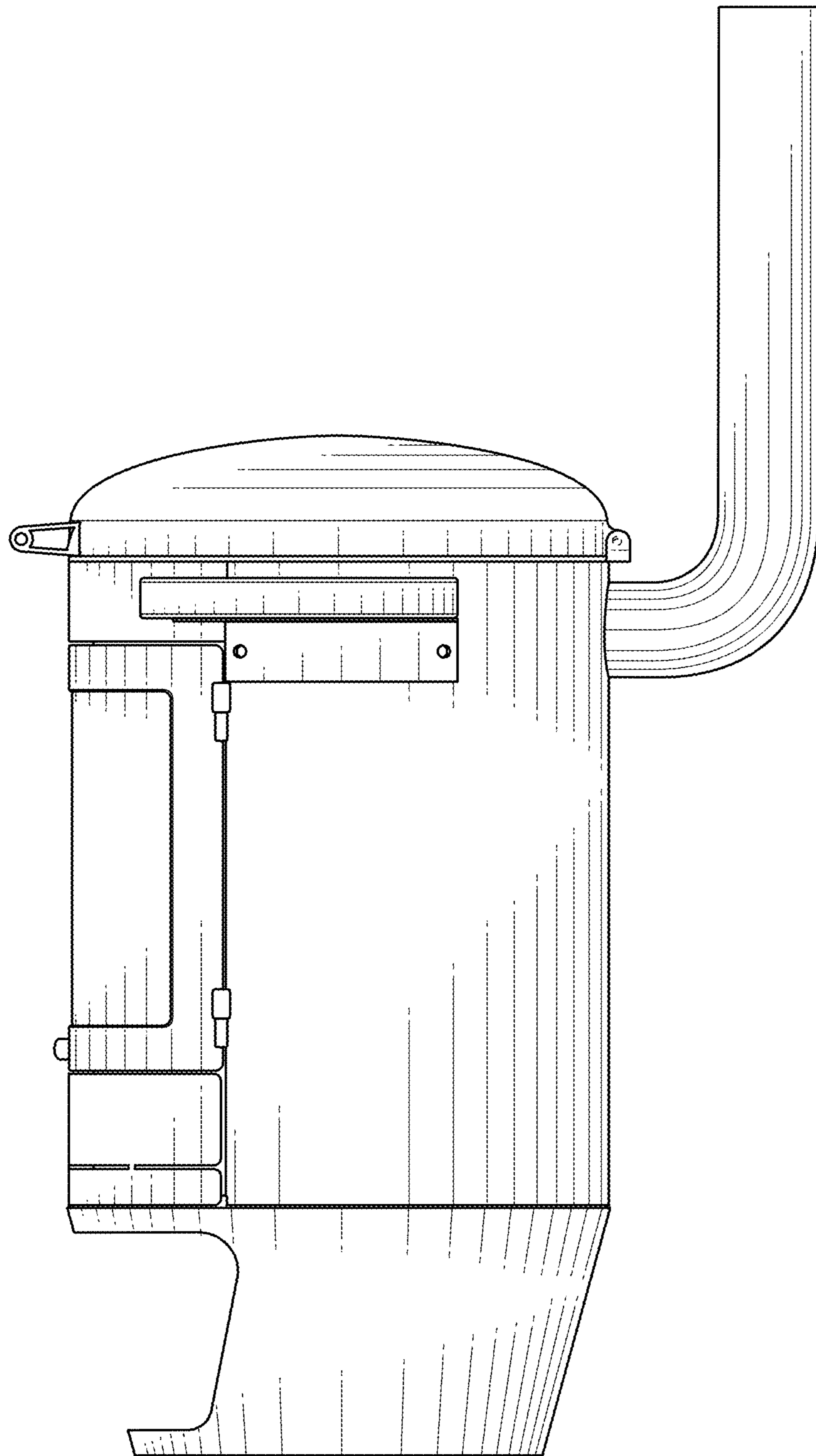


FIG. 4

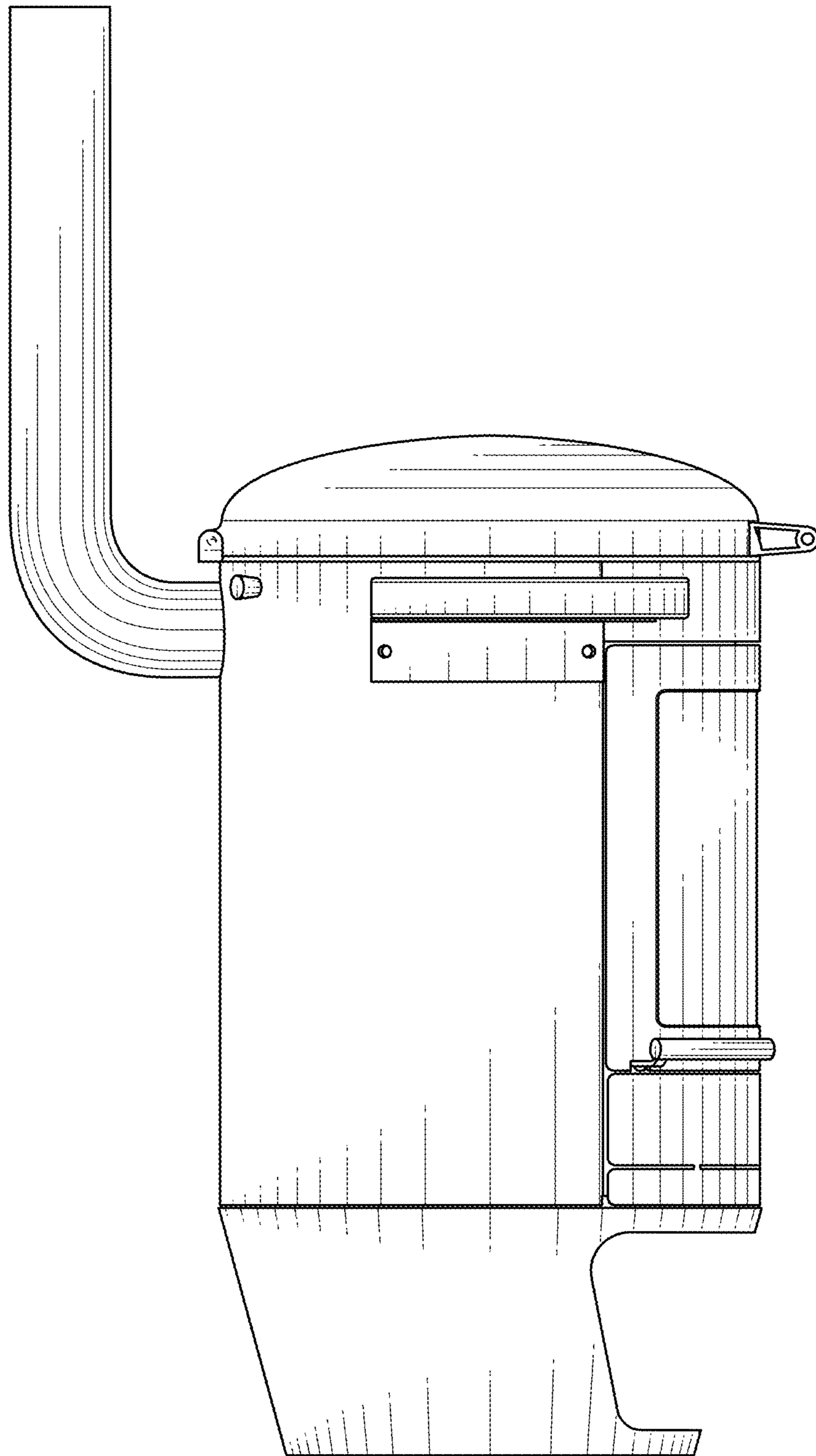


FIG. 5

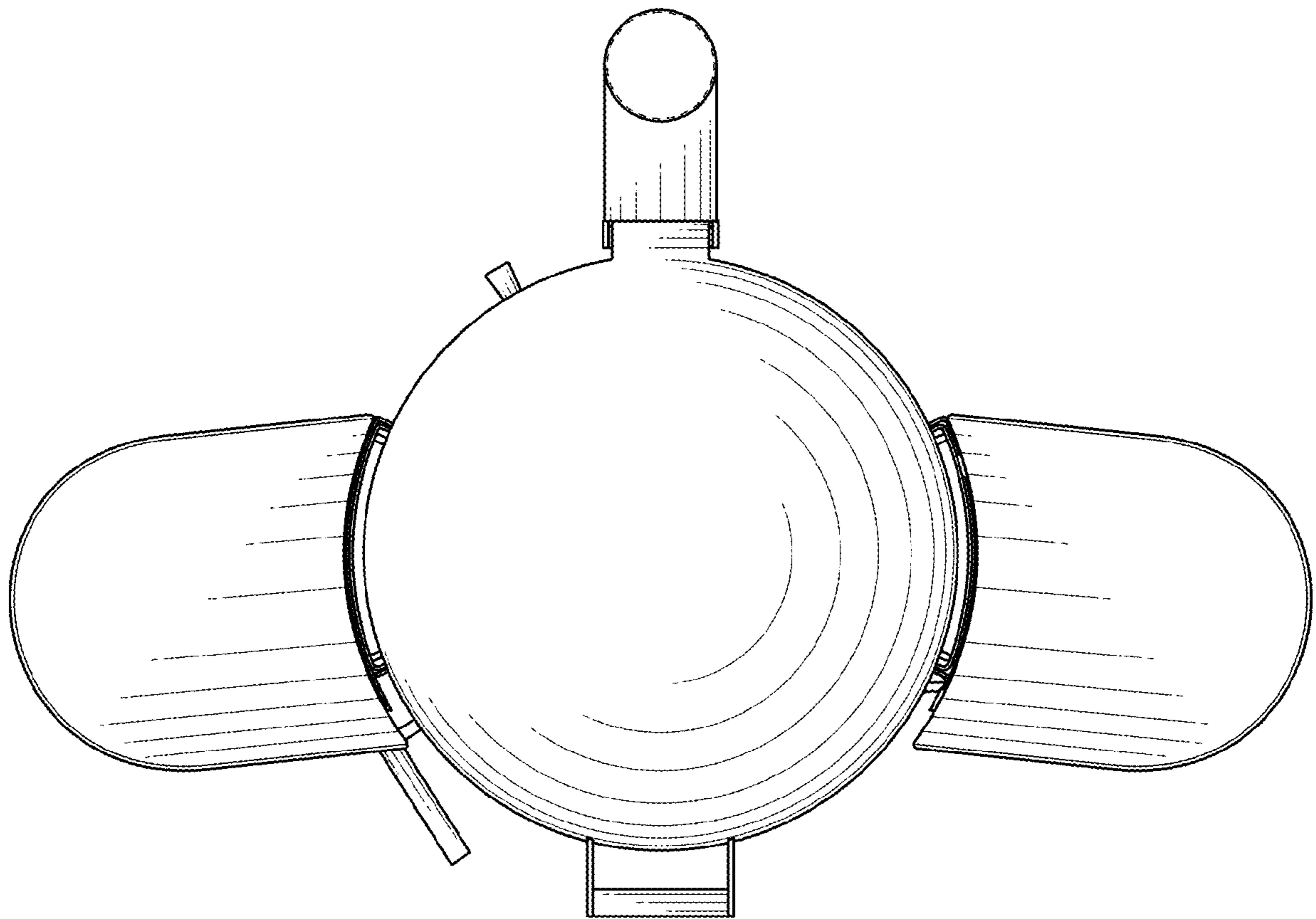


FIG. 6

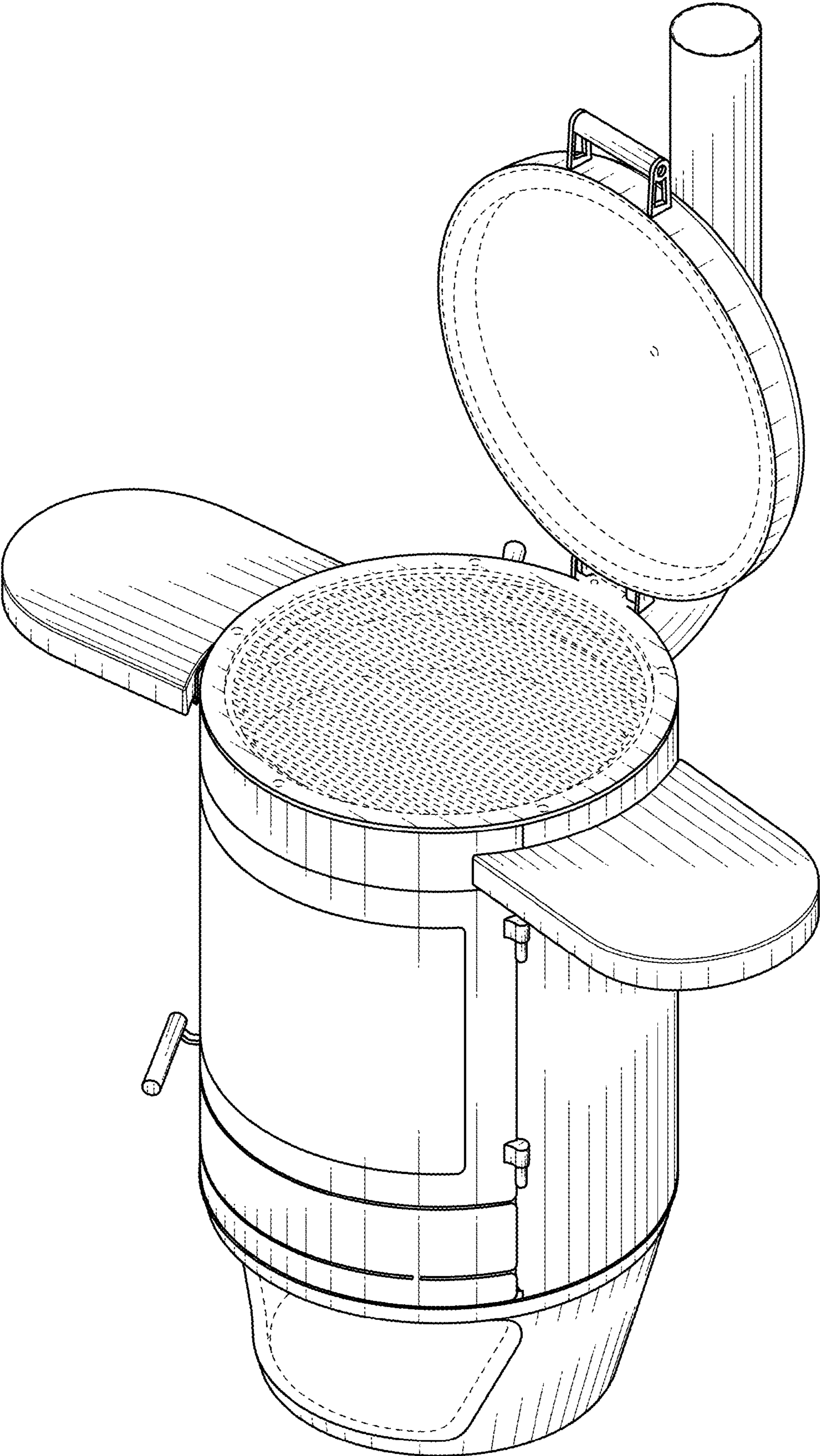


FIG. 7