



US00D941973S

(12) **United States Design Patent**
Bowser, Jr.

(10) **Patent No.:** **US D941,973 S**
(45) **Date of Patent:** **** Jan. 25, 2022**

(54) **COKE OVEN CORBEL GAS OFFTAKE MODULE**

(71) Applicant: **FOSBEL, INC.**, Brook Park, OH (US)

(72) Inventor: **Alan E. Bowser, Jr.**, Brook Park, OH (US)

(73) Assignee: **FOSBEL, INC.**, Brook Park, OH (US)

(**) Term: **15 Years**

(21) Appl. No.: **29/607,551**

(22) Filed: **Jun. 14, 2017**

(51) **LOC (13) Cl.** **23-03**

(52) **U.S. Cl.**
USPC **D23/329**

(58) **Field of Classification Search**
USPC D23/422, 398, 343, 344, 345, 347, 329, D23/314, 322, 499; D15/144, 144.1, D15/144.2, 123, 131; D25/102, 113, 114, D25/115, 116, 117, 118
CPC C10B 5/12; C10B 29/02; C10B 29/06; C10B 3/00; C10B 1/00; C10B 15/00; F27D 1/04; F27D 1/063; F27B 13/08; F27B 13/10; F27B 13/06
See application file for complete search history.

(56) **References Cited**

U.S. PATENT DOCUMENTS

1,433,450 A * 10/1922 Geiger C10B 5/06 202/223
1,957,820 A * 5/1934 Chrysler F27D 1/04 52/506.04

2,006,910 A * 7/1935 Brooks F27D 1/04 52/606
2,474,301 A * 6/1949 Blaha F27B 5/00 264/600
2,908,157 A * 10/1959 Bliss F27D 1/063 52/592.3
5,168,036 A * 12/1992 Doby, Jr. F27D 1/04 432/137
5,916,471 A * 6/1999 Hall B22D 41/50 222/591
2016/0281983 A1* 9/2016 Bowser, Jr. F23M 5/02

* cited by examiner

Primary Examiner — Ania Aman

(74) *Attorney, Agent, or Firm* — Nixon & Vanderhye P.C.

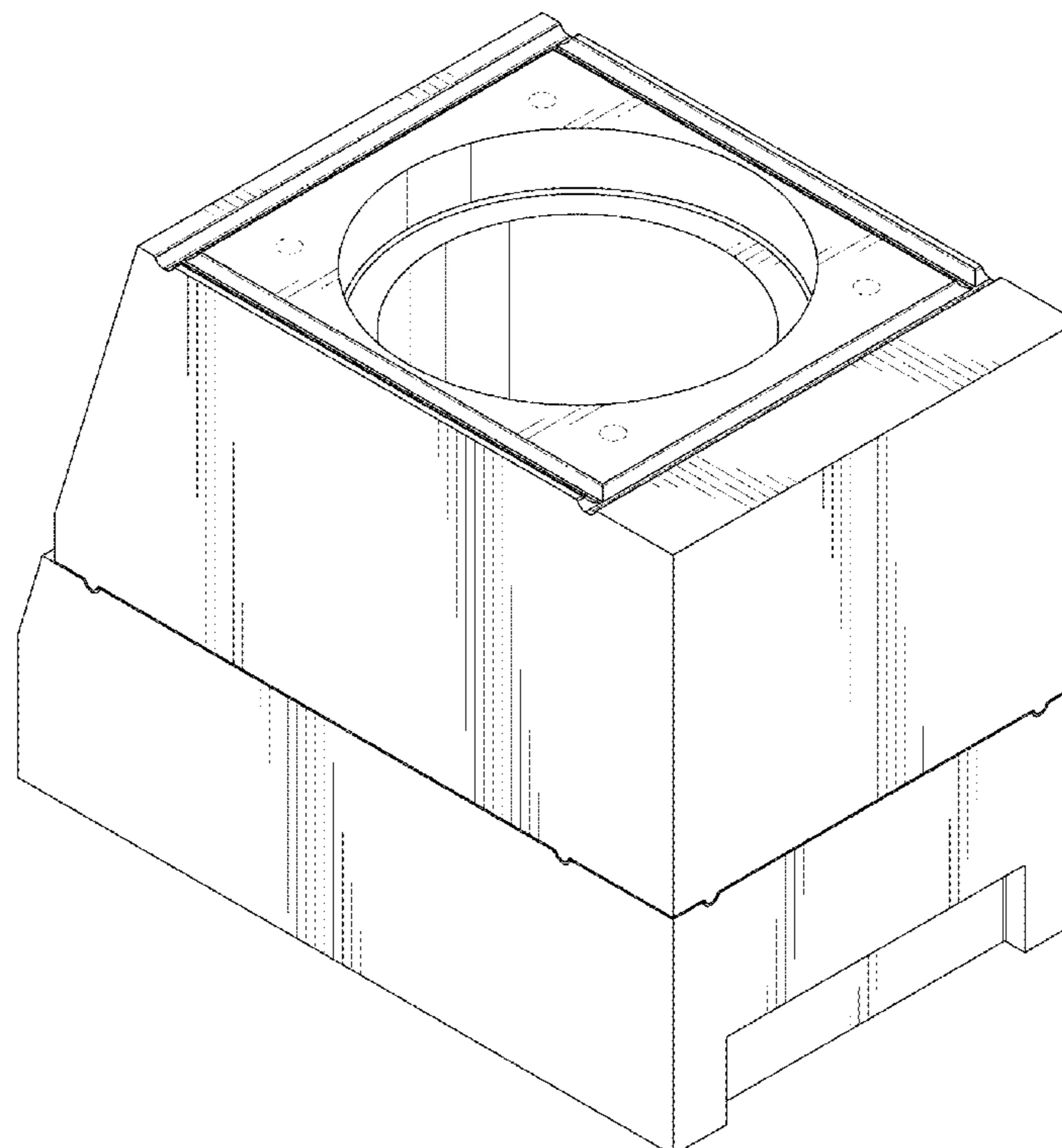
(57) **CLAIM**

The ornamental design for a “coke oven corbel gas offtake module,” as shown and described.

DESCRIPTION

FIG. 1 is a left rear perspective view thereof;
FIG. 2 is a right rear perspective view of thereof;
FIG. 3 is a right front perspective view thereof;
FIG. 4 is a left front perspective view thereof;
FIG. 5 is a rear end elevational view thereof;
FIG. 6 is a front end elevation view thereof;
FIG. 7 is a top plan view thereof;
FIG. 8 is a bottom plan view thereof;
FIG. 9 is a left side elevation view thereof; and,
FIG. 10 is a right side elevation view thereof.
In the drawings, the broken lines depict unclaimed subject matter only and form no part of the claimed design.

1 Claim, 9 Drawing Sheets



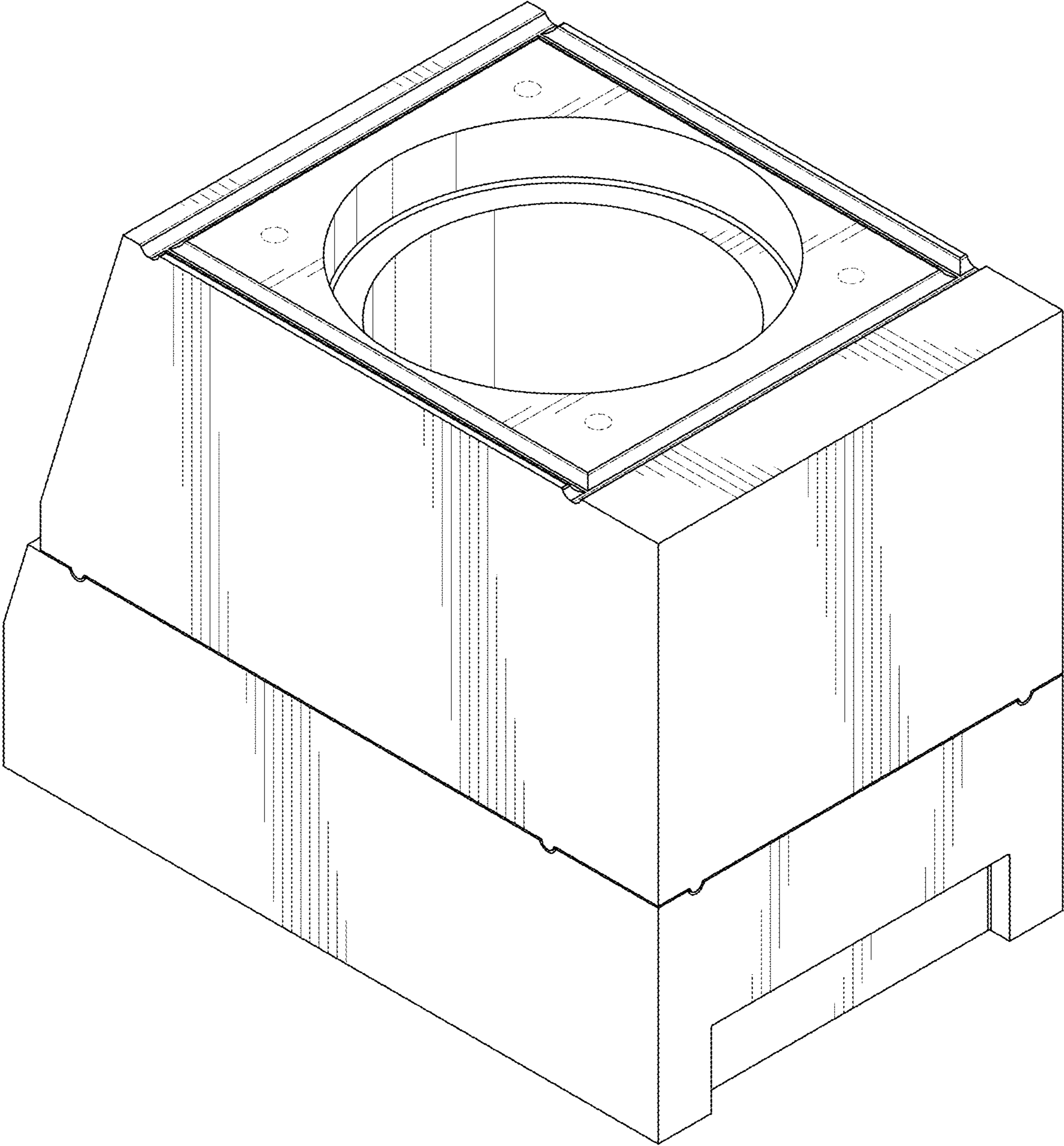


Fig. 1

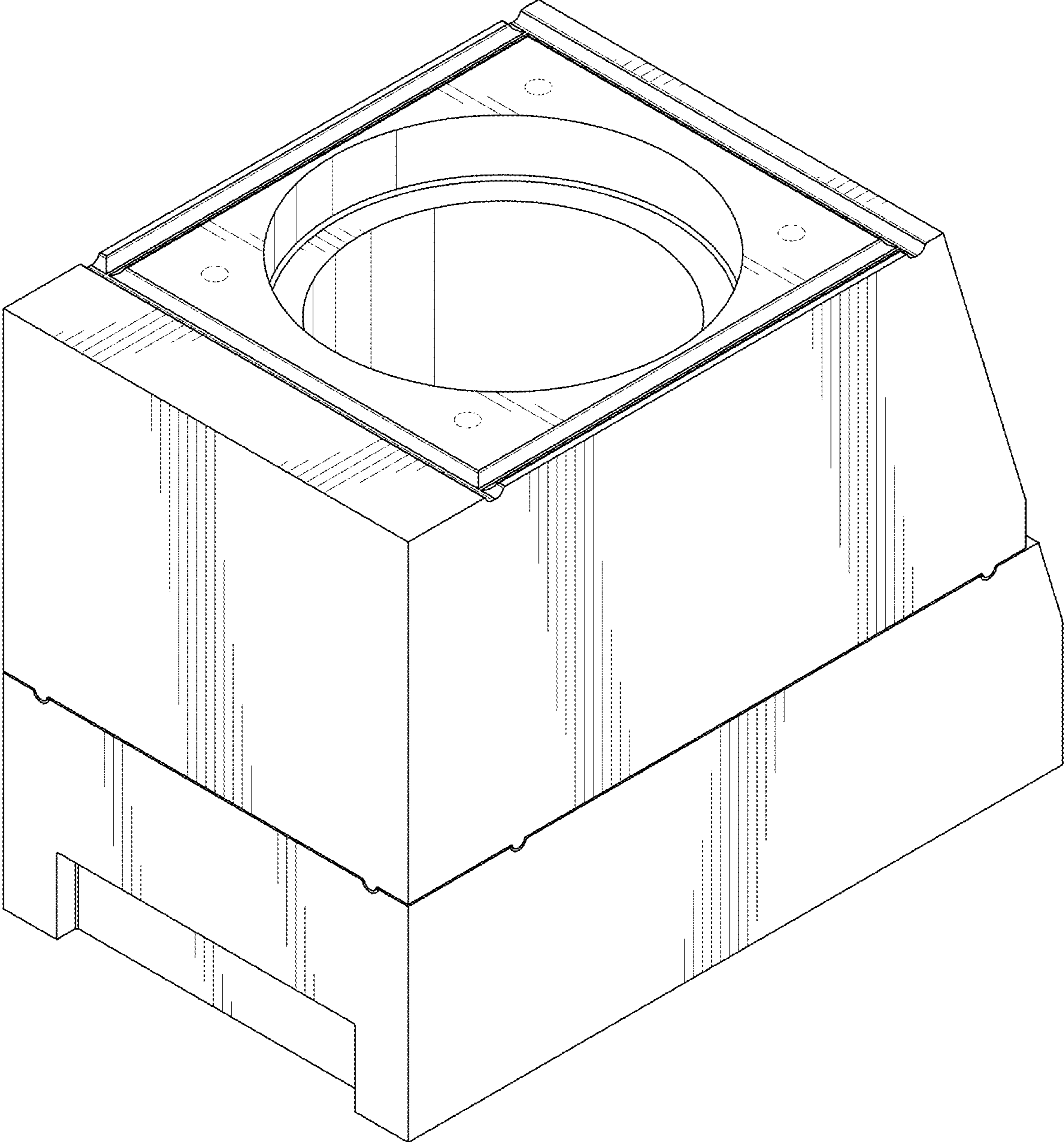


Fig. 2

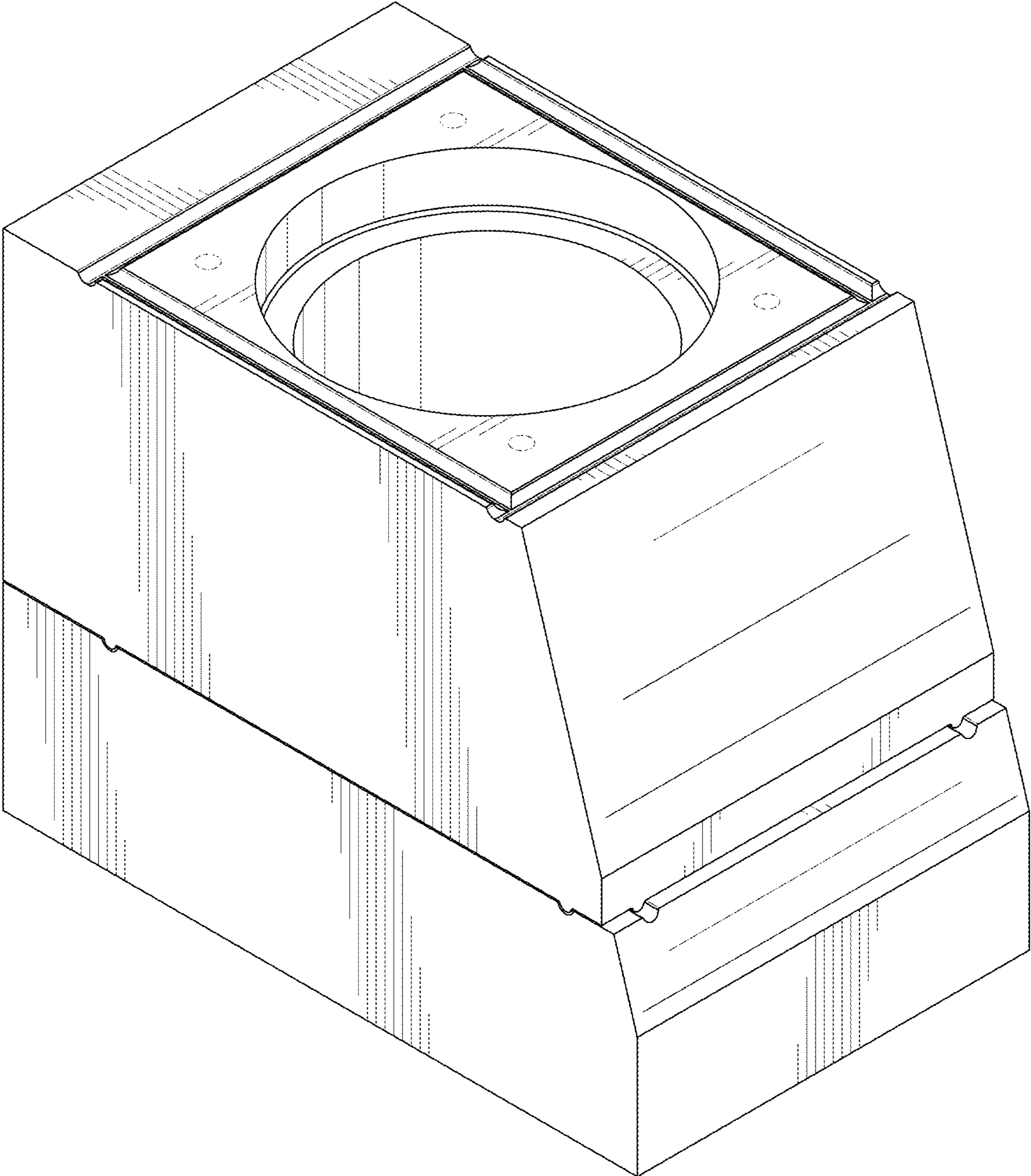


Fig. 3

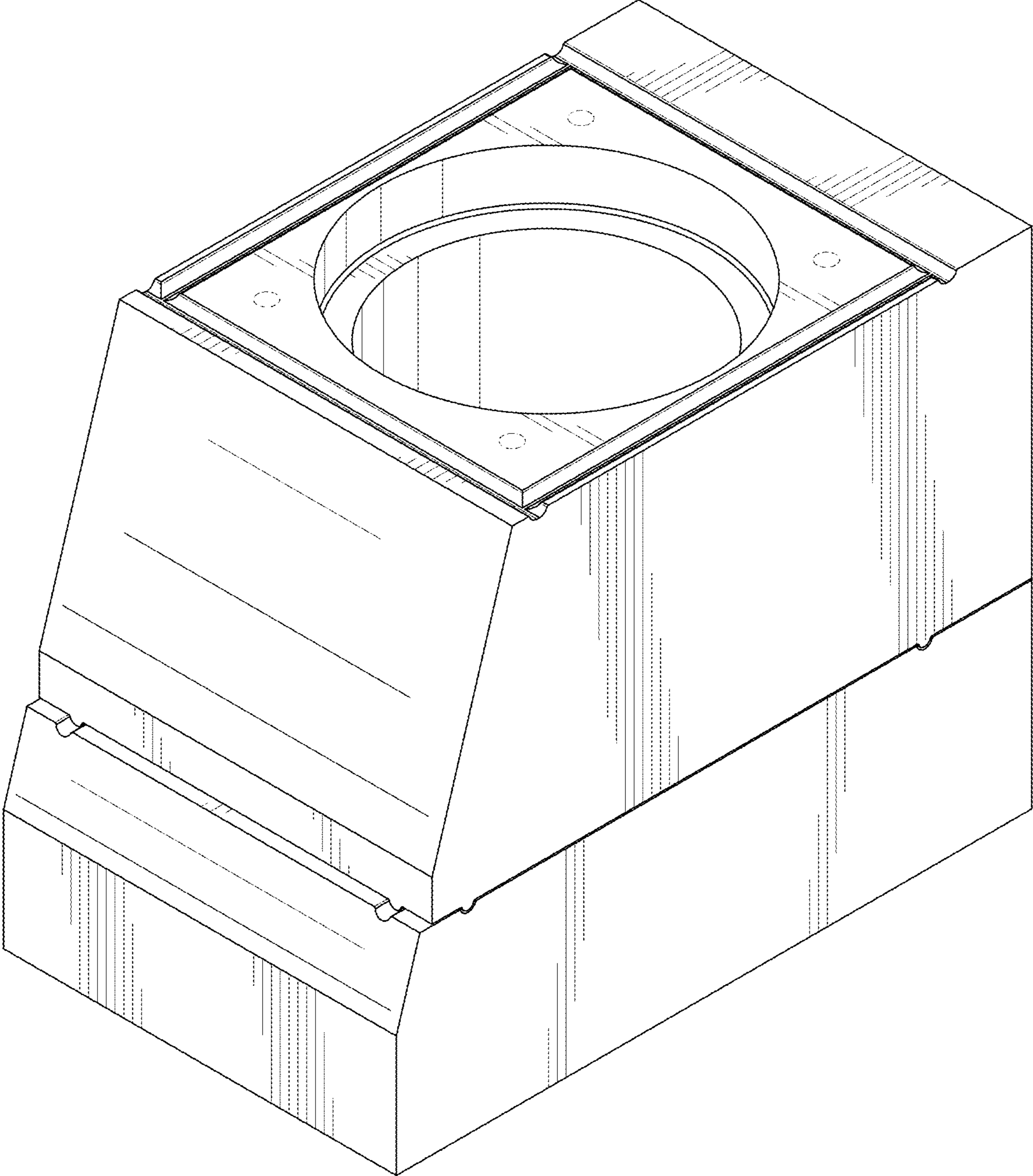


Fig. 4

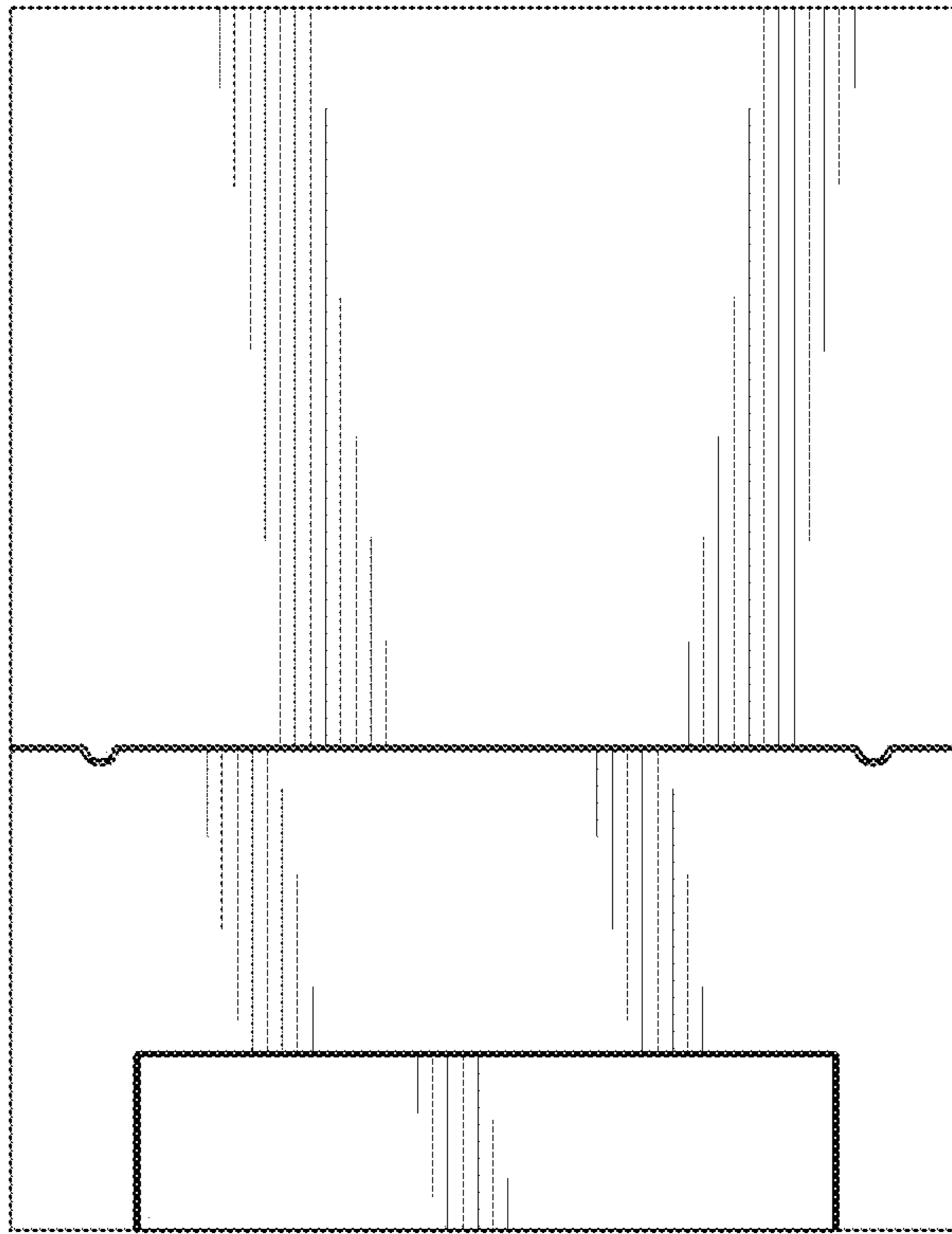


Fig. 5

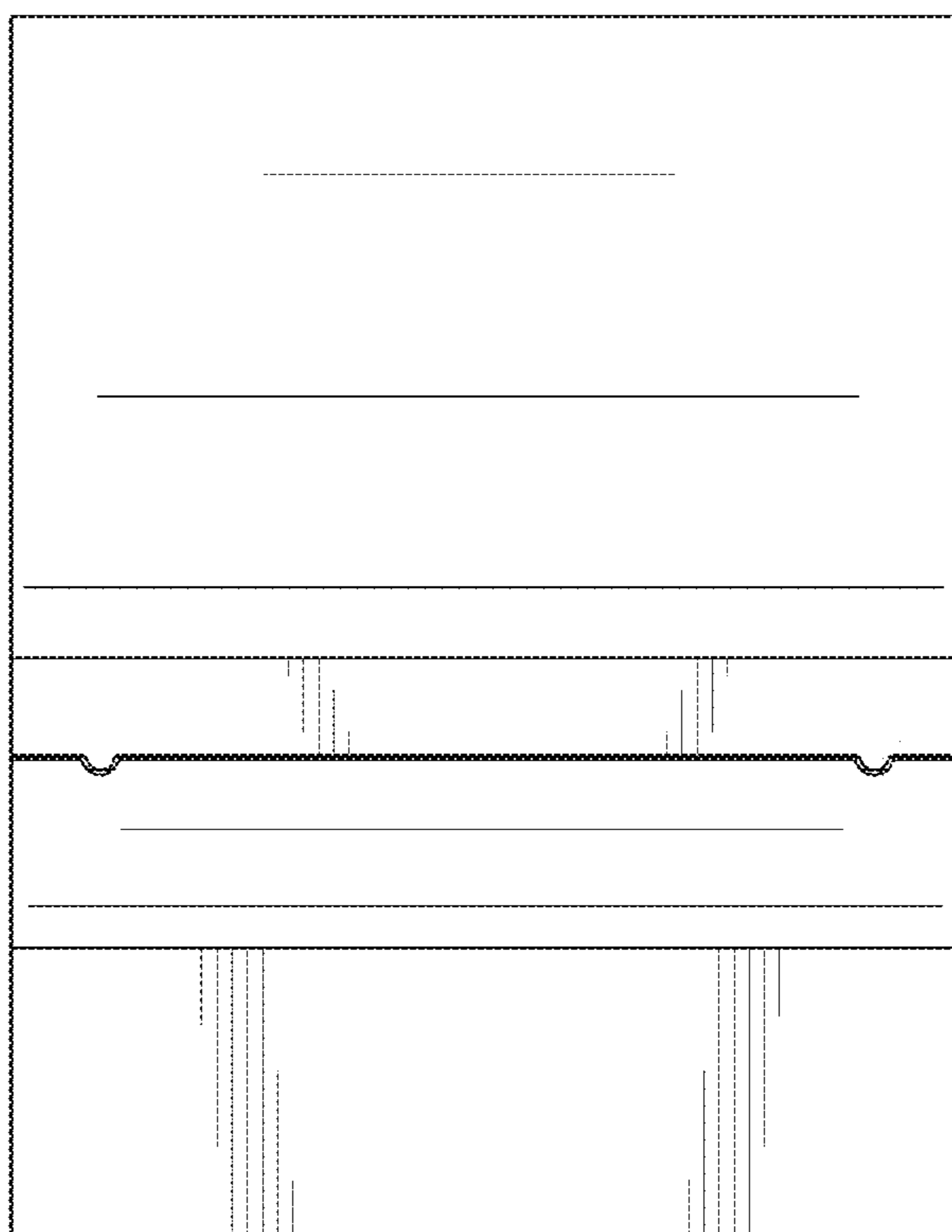


Fig. 6

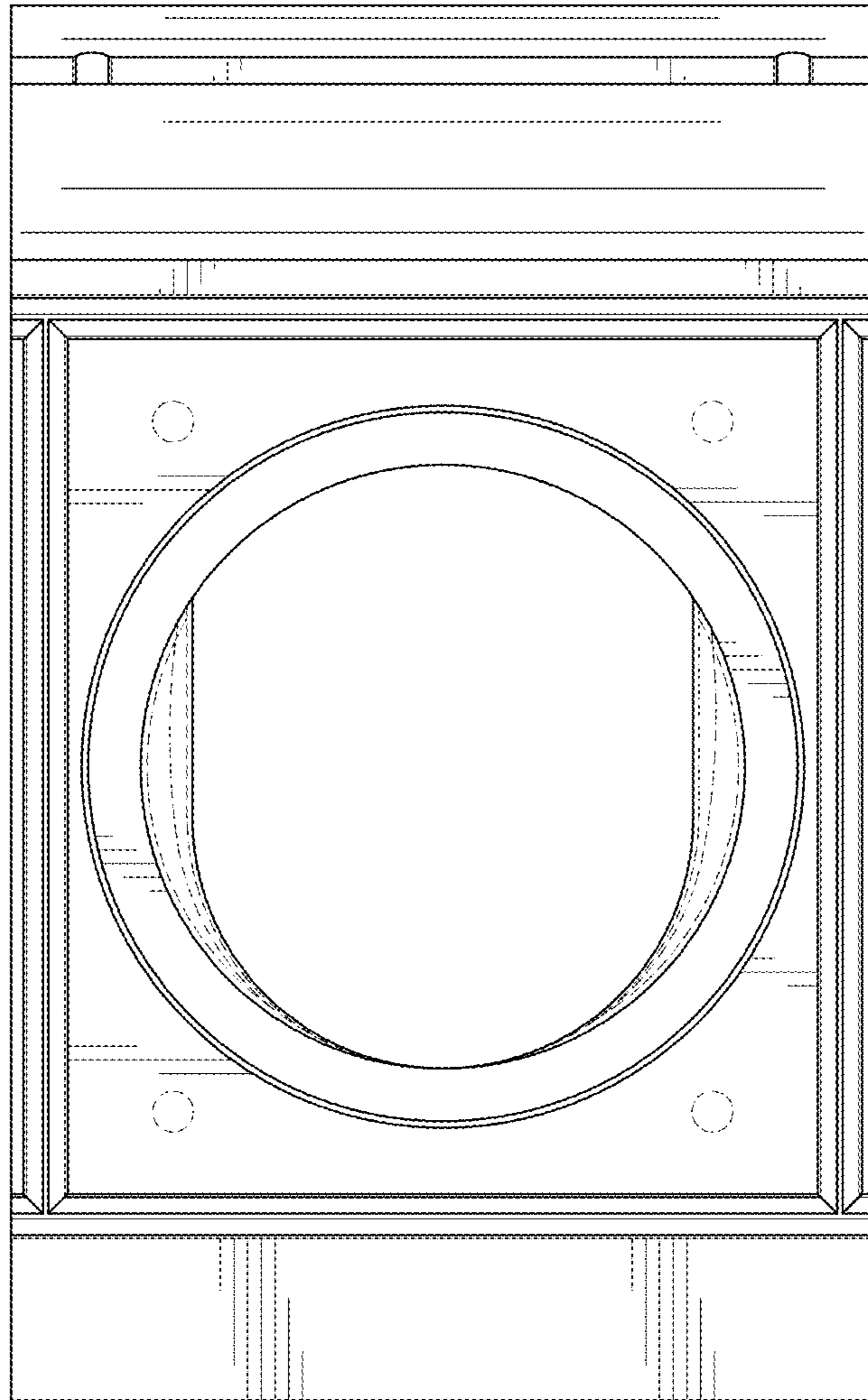


Fig. 7

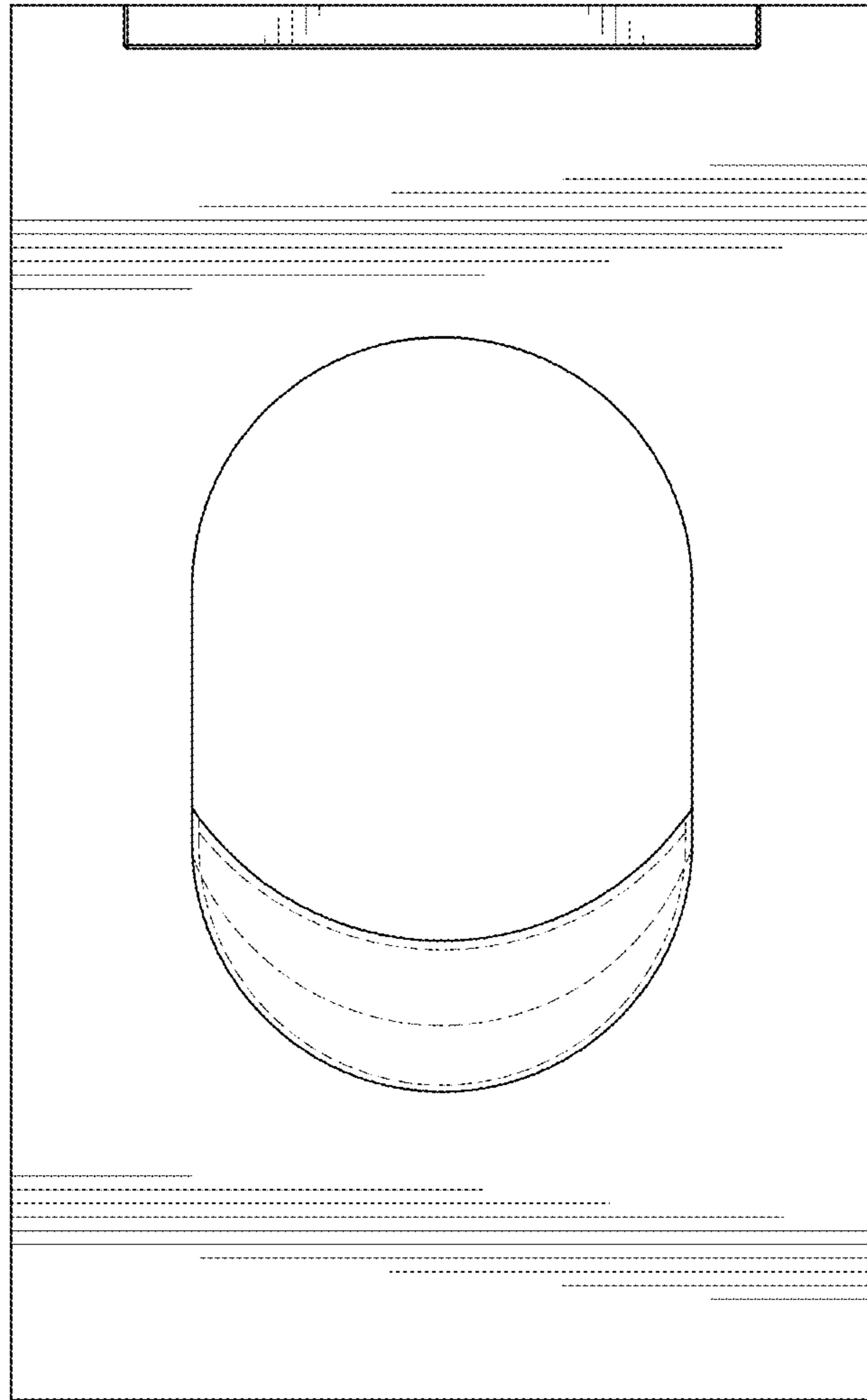


Fig. 8

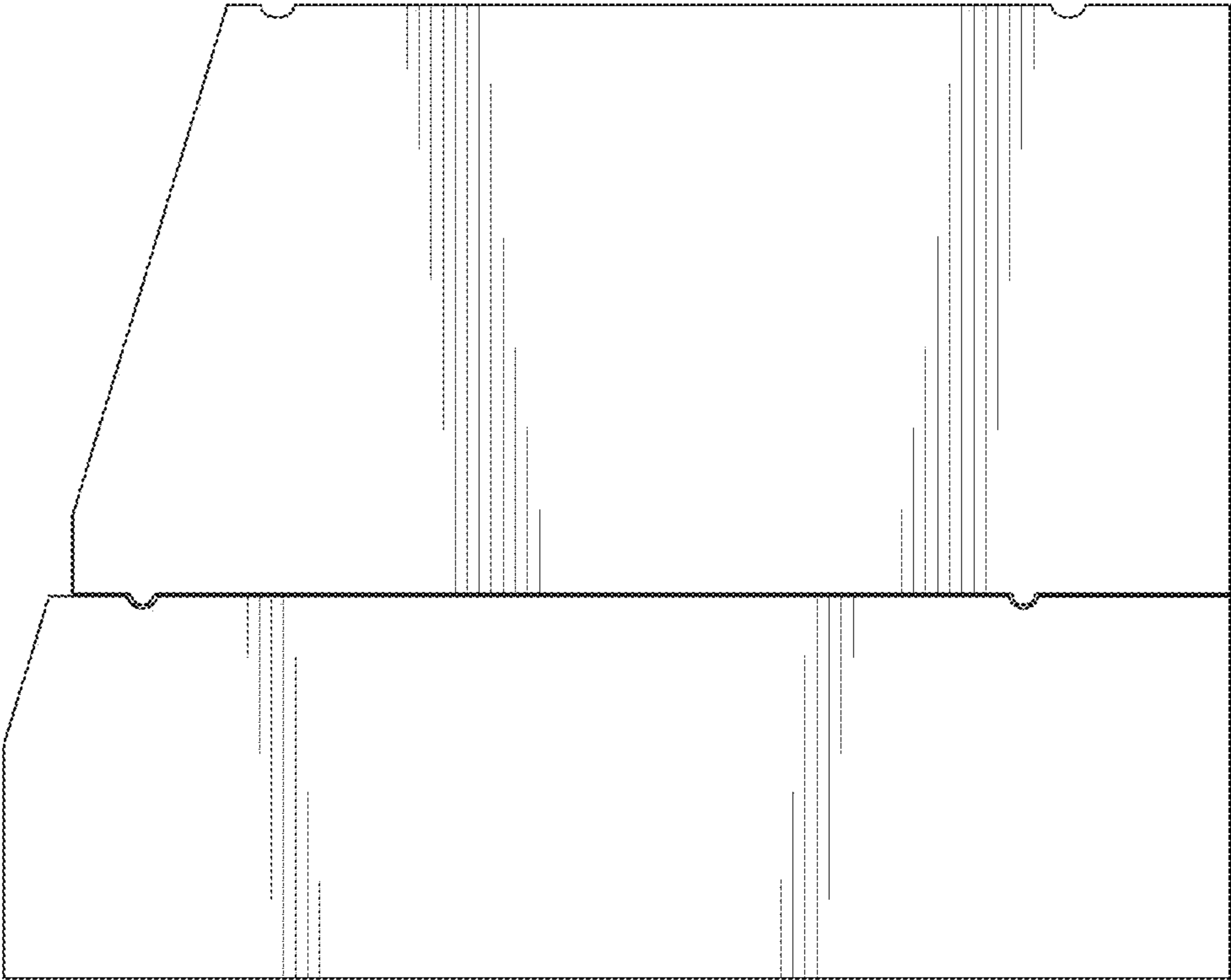


Fig. 9

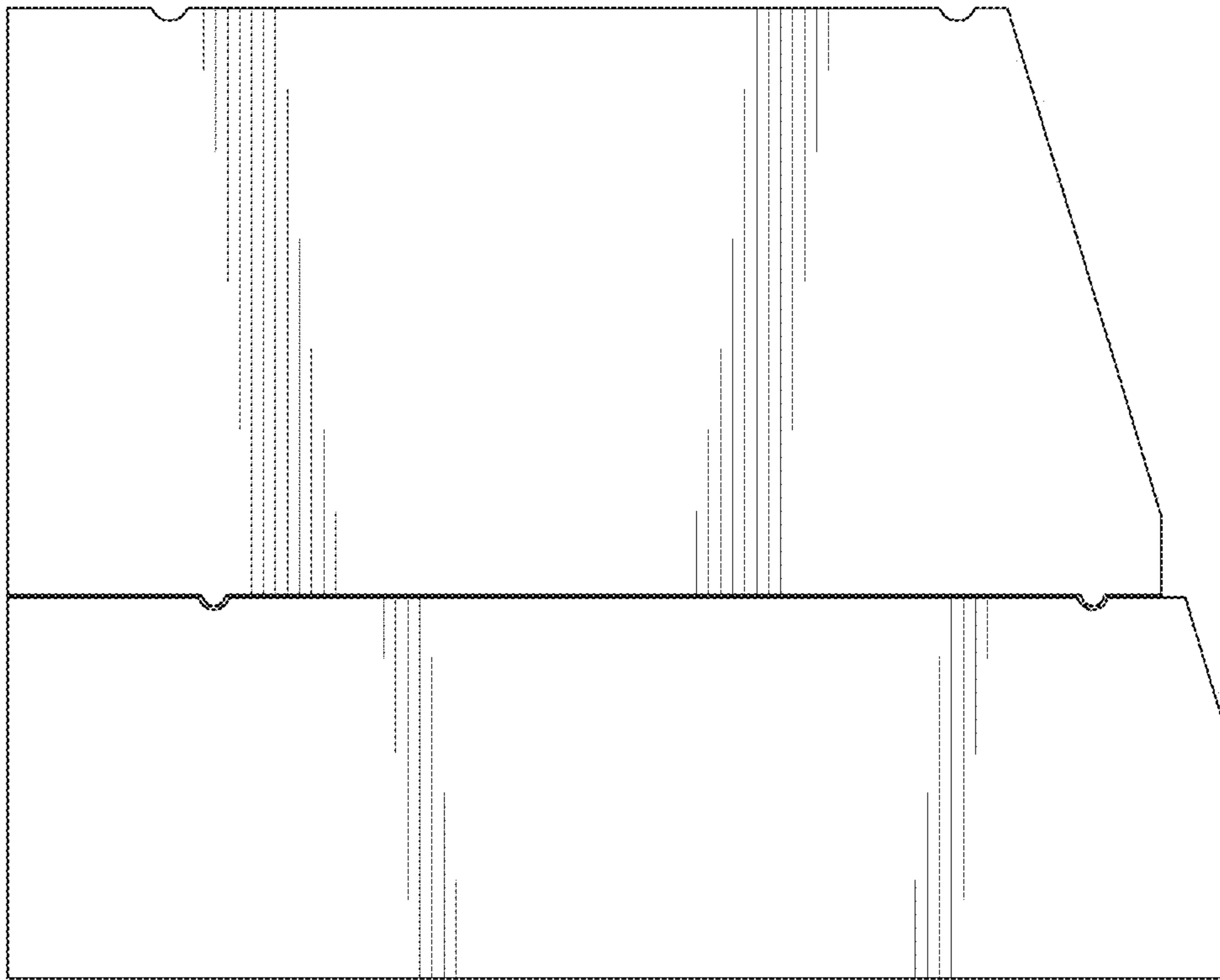


Fig. 10