



US00D941972S

(12) **United States Design Patent** (10) **Patent No.:** **US D941,972 S**
Higashijima et al. (45) **Date of Patent:** **** Jan. 25, 2022**

(54) **WATER HEATER**
(71) Applicant: **RINNAI CORPORATION**, Nagoya (JP)

D870,868 S 12/2019 Hayden et al.
D897,511 S 9/2020 Deivasigamani et al.
D922,552 S 6/2021 Fritz et al.
(Continued)

(72) Inventors: **Hiroaki Higashijima**, Nagoya (JP); **Yoshikazu Kubo**, Nagoya (JP); **Tomoe Usami**, Nagoya (JP); **Eri Horii**, Nagoya (JP)

FOREIGN PATENT DOCUMENTS

CA 174784 * 10/2016
CN 304999440 7/2018
CN 305821915 12/2019
(Continued)

(73) Assignee: **RINNAI CORPORATION**, Nagoya (JP)

OTHER PUBLICATIONS

(**) Term: **15 Years**

Rinnai, first available Jun. 23, 2015[online], [site visited Sep. 23, 2021]. Available from internet, URL:<<https://www.amazon.com/Rinnai-RUS65EN-Ultra-Tankless-Heater/dp/B010Q1XKH2>> (Year: 2015).*

(21) Appl. No.: **29/748,230**

(22) Filed: **Aug. 27, 2020**

(Continued)

(51) **LOC (13) Cl.** **23-03**

(52) **U.S. Cl.**
USPC **D23/318**

(58) **Field of Classification Search**
USPC D23/318–320, 337, 351, 370
CPC F24H 9/02; F24H 9/06; G05D 23/19
See application file for complete search history.

Primary Examiner — Barbara Fox
Assistant Examiner — Jamaal Rasheed
(74) *Attorney, Agent, or Firm* — Brandon V. Zuniga; James R. Gourley; Carstens & Cahoon, LLP

(56) **References Cited**

(57) **CLAIM**

The ornamental design for a water heater, as shown and described.

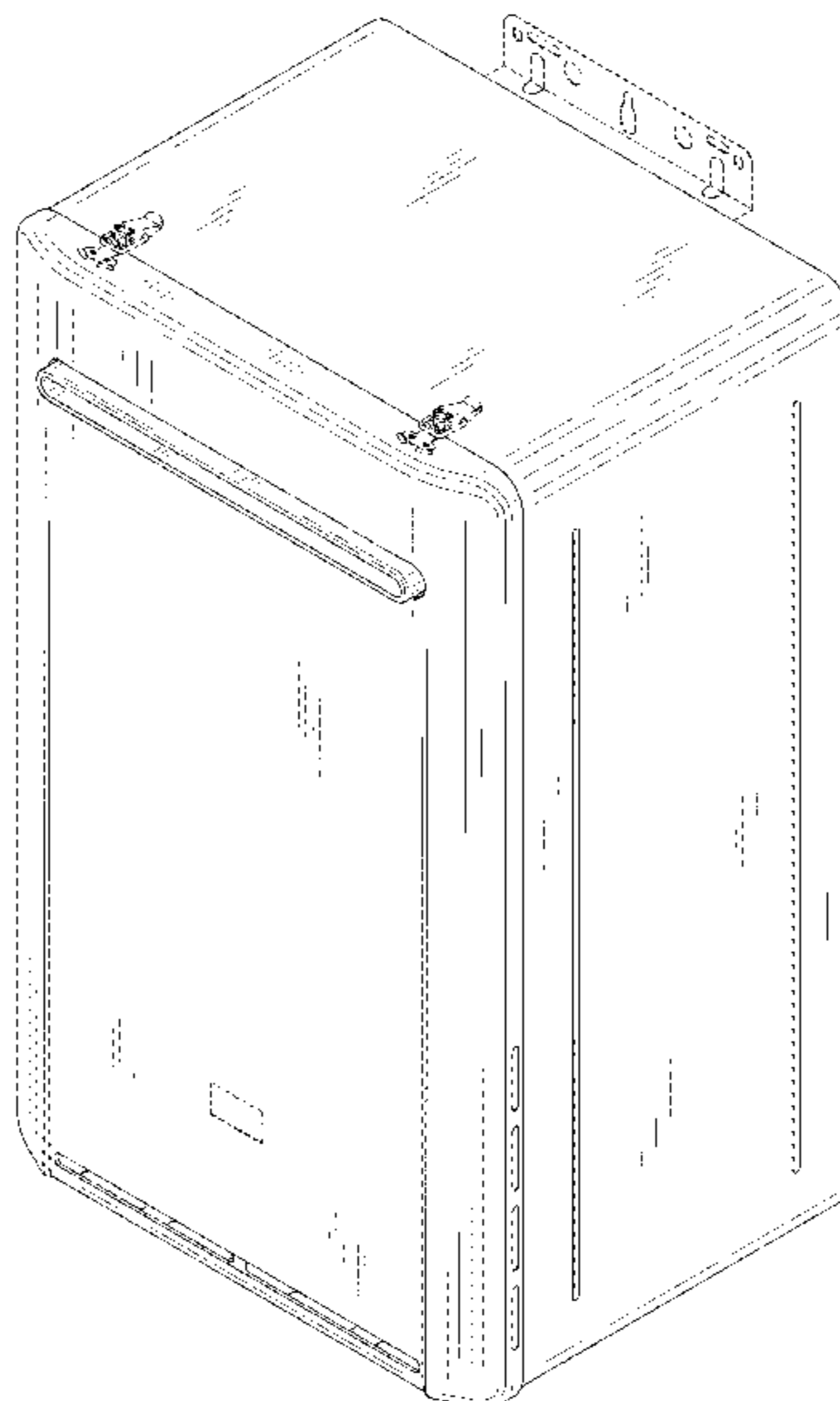
U.S. PATENT DOCUMENTS

DESCRIPTION

D483,451 S	12/2003	Yamamoto et al.	
D532,498 S	11/2006	Maegawa et al.	
D533,928 S	* 12/2006	Maegawa	D23/318
D570,974 S	* 6/2008	Nanbu	D23/318
D679,790 S	* 4/2013	Doi	D23/341
D703,299 S	* 4/2014	Choi	D23/319
D799,650 S	10/2017	Humphrey et al.	
D825,724 S	8/2018	Humphrey et al.	
D842,443 S	* 3/2019	Shono	D23/318
10,234,171 B2	3/2019	Ando	
D849,898 S	* 5/2019	Fritz	D23/318
10,309,686 B2	* 6/2019	Nagasaka	F24H 1/0027
D858,726 S	* 9/2019	Takeuchi	D23/318
D863,519 S	10/2019	Hayden et al.	

FIG. 1 is a perspective view of a water heater showing our new design;
FIG. 2 is a front view thereof;
FIG. 3 is a rear view thereof;
FIG. 4 is a top plan view thereof;
FIG. 5 is a bottom plan view thereof;
FIG. 6 is a right side view thereof; and,
FIG. 7 is a left side view thereof.
The broken lines illustrate portions of the water heater that form no part of the claimed design.

1 Claim, 7 Drawing Sheets



(56)

References Cited

U.S. PATENT DOCUMENTS

2007/0126320 A1 6/2007 Huang
2018/0058720 A1 3/2018 Ando

FOREIGN PATENT DOCUMENTS

CN	306481896	*	8/2020
CN	306481897		8/2020
JP	D1585908	*	10/2016
JP	D1631522 S		11/2019
JP	D1631523 S		11/2019
JP	D1631524 S		11/2019
JP	D1632047 S		11/2019
JP	D1632048 S		11/2019
JP	D1632049 S		11/2019
JP	D1632050 S		11/2019

OTHER PUBLICATIONS

Tankless Water Heater, Camplux Pro, first available Jul. 2, 2017[online], [site visited Sep. 23, 2021]. Available from internet, URL:<<https://www.amazon.com/Camplux-Outdoor-Propane-Tankless-Heater/dp/B0799JPXJV?th=1>> (Year: 2017).*

Website at https://www.rinnai.co.jp/releases/2019/0910/index_2.html Aug. 13, 2020, published by Rinnai Corporation on Sep. 10, 2019 (7 pages).

Rinnai Indoor Tankless Hot Water Heater, first available Jun. 1, 2012[online], [site visited Sep. 23, 2021]. Available from Internet, URL: <<https://www.amazon.com/Rinnai-V65IN-Indoor-Tankless-Natural/dp/B0084CPEDO>>(Year: 2012) (9 pages).

Office Action for U.S. Appl. No. 29/748,228 dated Sep. 29, 2021 (11 pages).

* cited by examiner

FIG. 1

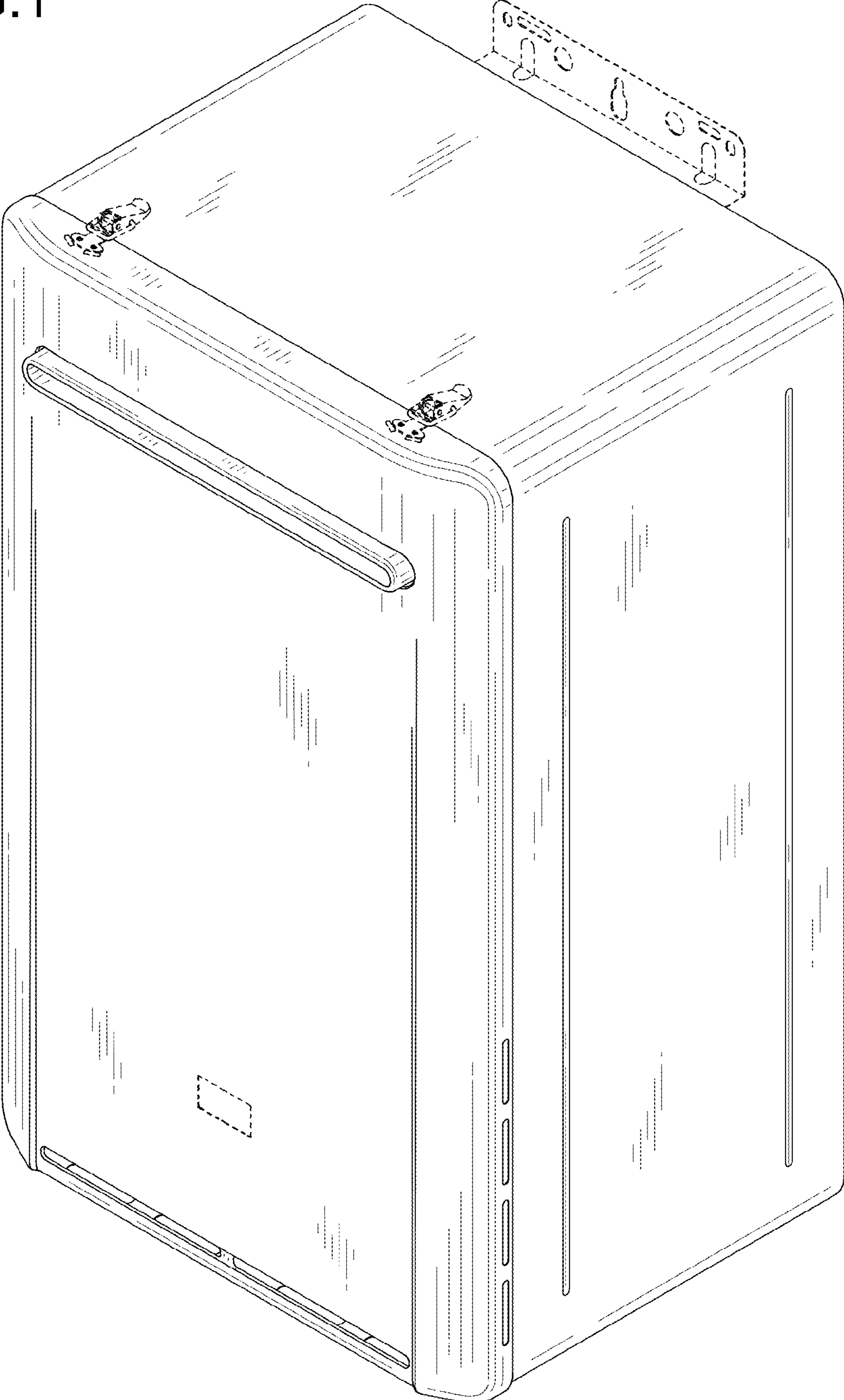


FIG.2

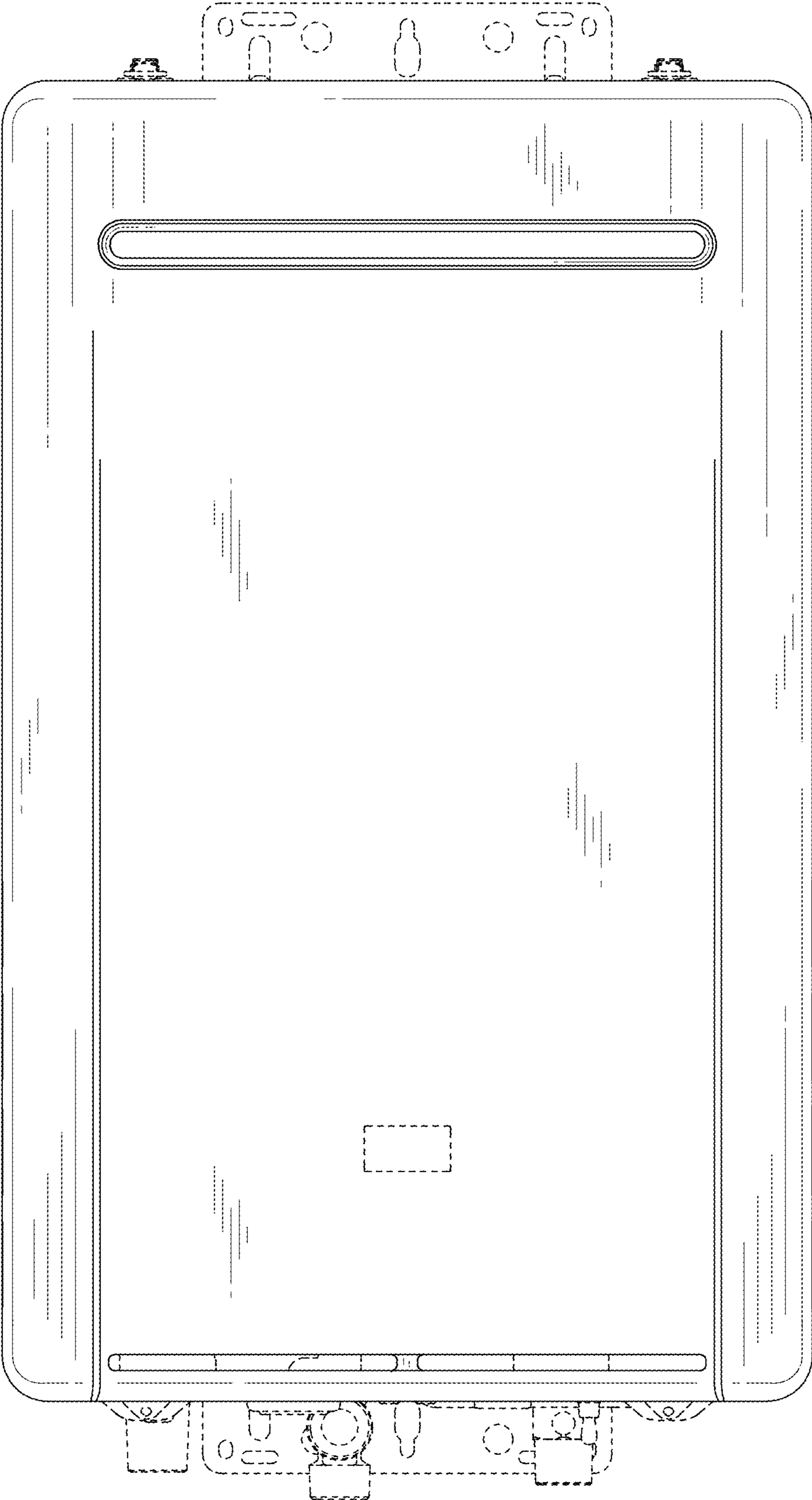


FIG.3

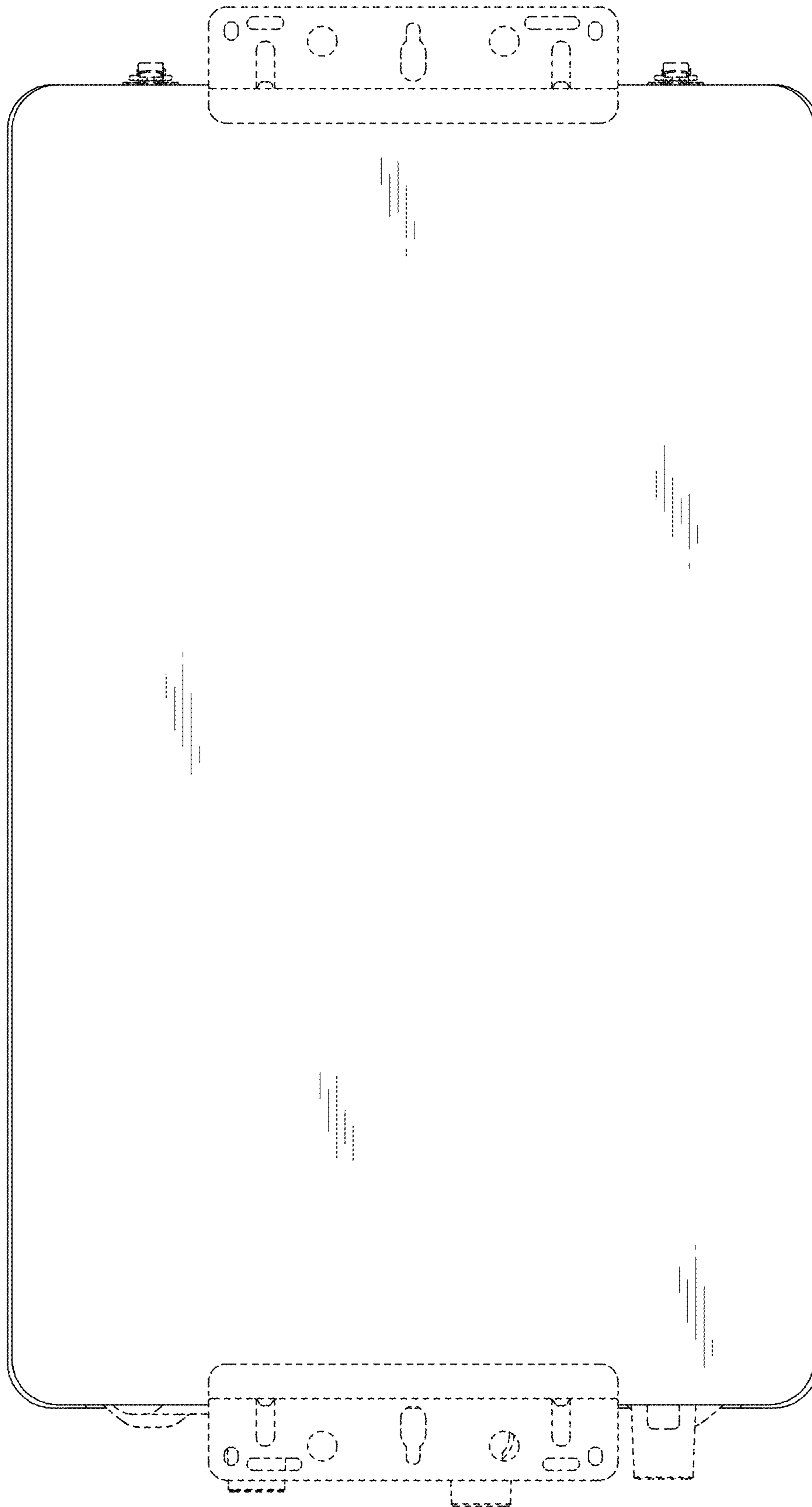


FIG.4

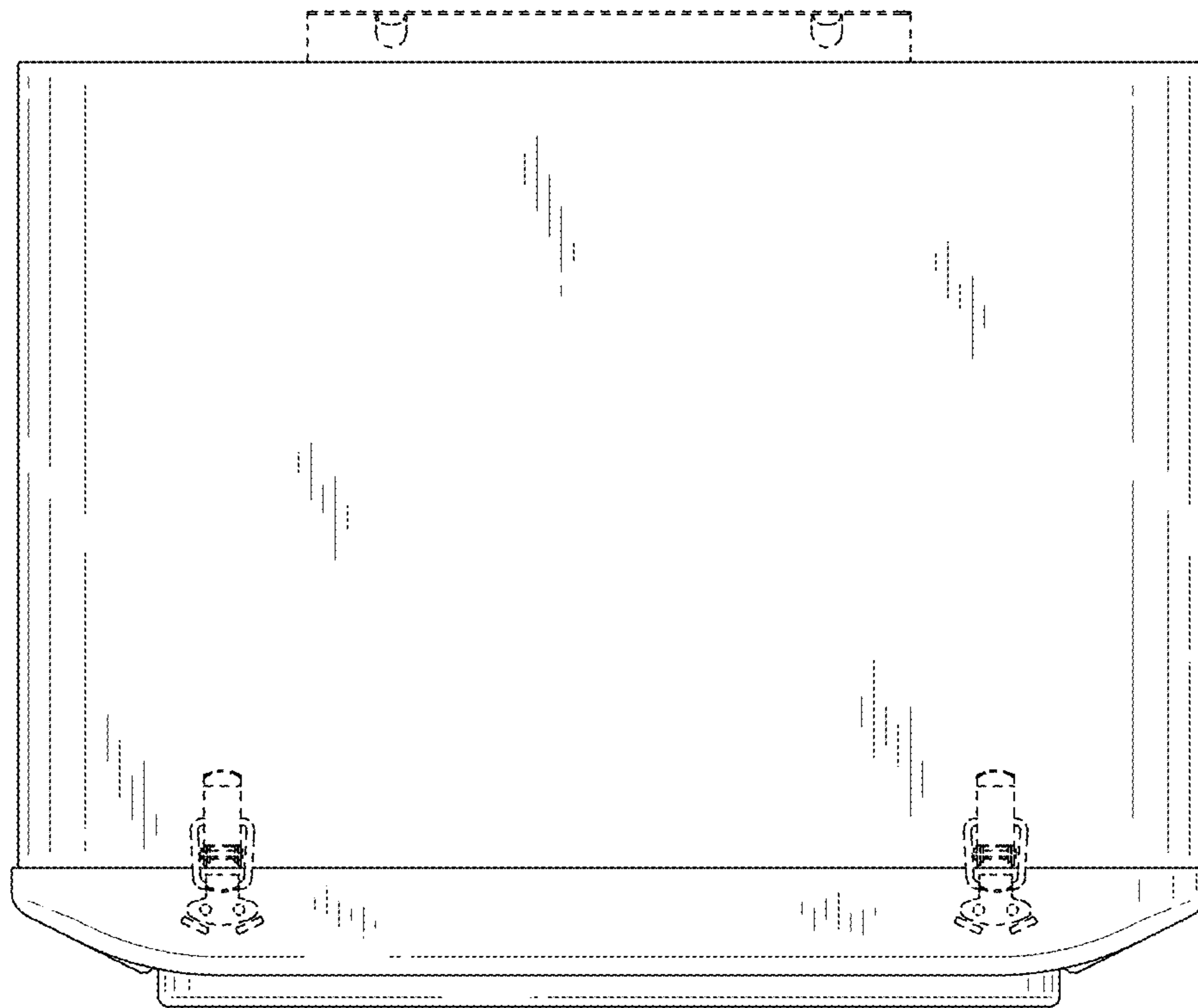


FIG.5

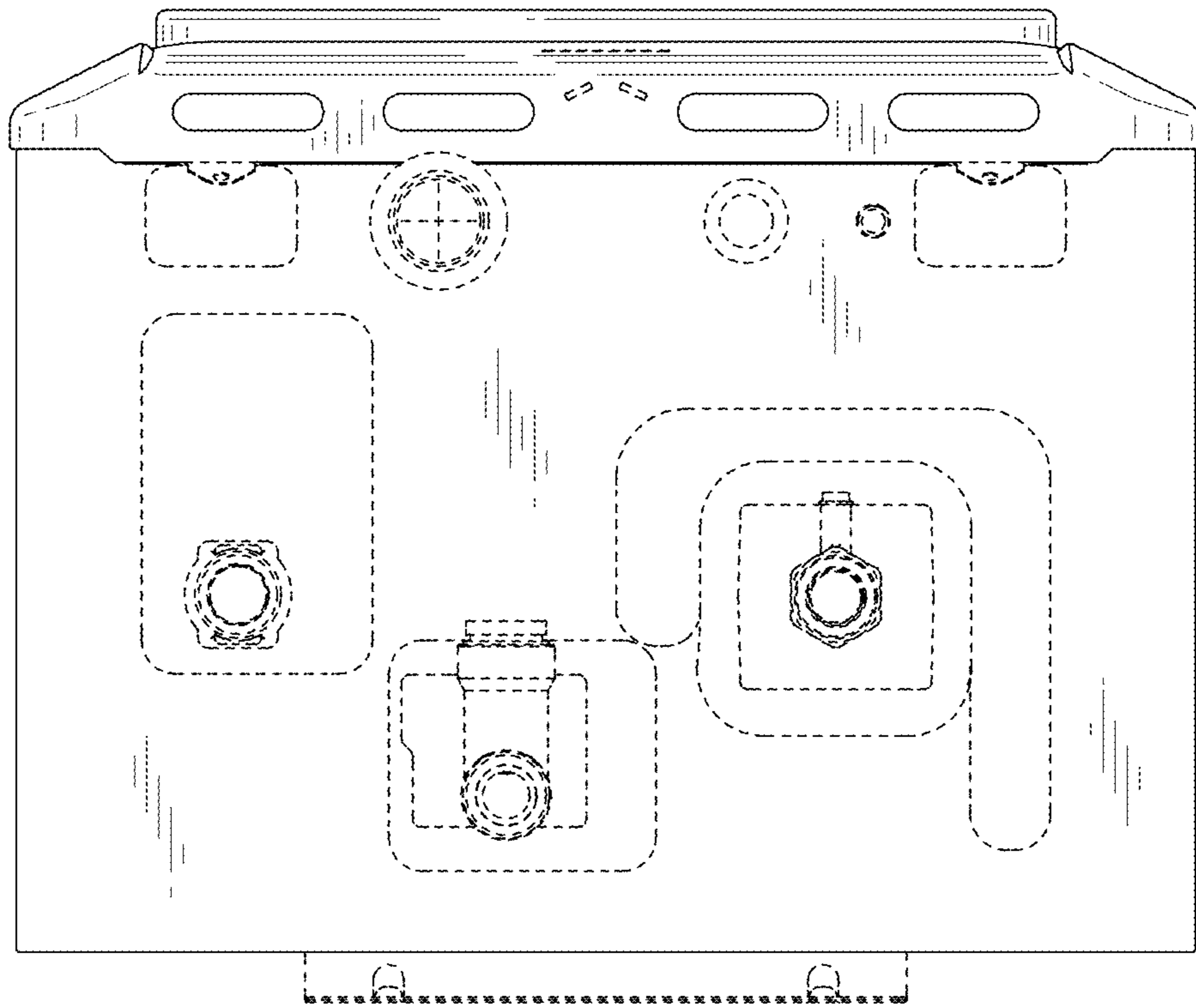


FIG.6

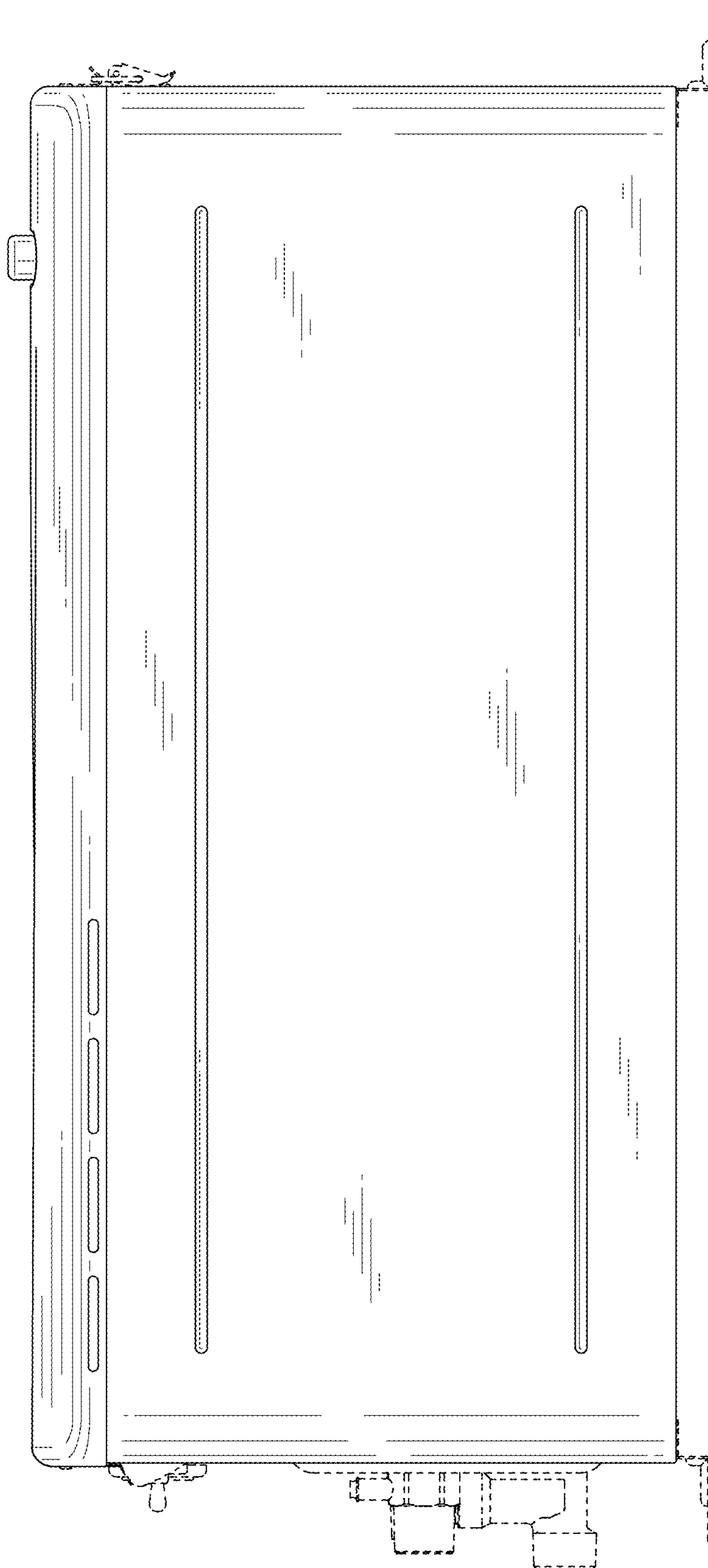


FIG.7

