



US00D941971S

(12) **United States Design Patent**
Fukuda

(10) **Patent No.:** **US D941,971 S**
(45) **Date of Patent:** **** Jan. 25, 2022**

(54) **TOILET SEAT WITH BIDET**

(71) Applicant: **Tetsuzo Fukuda**, Nagoya (JP)

(72) Inventor: **Tetsuzo Fukuda**, Nagoya (JP)

(**) Term: **15 Years**

(21) Appl. No.: **29/731,739**

(22) Filed: **Apr. 17, 2020**

(30) **Foreign Application Priority Data**

Nov. 6, 2019 (JP) 2019-024717

(51) **LOC (13) Cl.** **23-01**

(52) **U.S. Cl.**
USPC **D23/311**

(58) **Field of Classification Search**
USPC D23/304, 308, 311
CPC A47K 13/02; A47K 13/14; A47K 13/24;
E03D 9/08

See application file for complete search history.

(56) **References Cited**

U.S. PATENT DOCUMENTS

D597,638 S *	8/2009	Lebrun	D23/304
D870,867 S	12/2019	Xing et al.		
D894,352 S *	8/2020	Lee	D23/311
D897,510 S *	9/2020	Guan	D23/311
2006/0085902 A1 *	4/2006	Lee	E03D 9/08 4/420.4
2018/0223519 A1 *	8/2018	Tsuruta	E03D 9/08
2019/0200819 A1 *	7/2019	Mochita	A47K 13/12
2019/0200820 A1 *	7/2019	Mochita	E03D 9/08
2020/0359855 A1 *	11/2020	Isomura	G09G 3/32
2020/0392713 A1 *	12/2020	Ko	B05B 15/70
2020/0392714 A1 *	12/2020	Ko	B05B 15/70

FOREIGN PATENT DOCUMENTS

CA	127405	*	8/2008
CN	305174194	*	9/2018
JP	D1660434	*	11/2019
WO	DM/103697		6/2018

OTHER PUBLICATIONS

Homlex Bidet Toilet Seat, first available Sep. 29, 2017[online], [site visited Sep. 29, 2017]. Available from internet, URL:< https://www.amazon.com/Nozzles-Non-Electrical-Mechanical-Elongated-Attachment/dp/B0761R927Wwebsite> (Year: 2017).*

* cited by examiner

Primary Examiner — Barbara Fox

Assistant Examiner — Jamaal Rasheed

(74) *Attorney, Agent, or Firm* — Beyer Law Group LLP

(57) **CLAIM**

I claim the ornamental design for a toilet seat with bidet, as shown and described.

DESCRIPTION

FIG. 1 is a front view of the toilet seat with bidet in accordance with the present design.

FIG. 2 is a back view thereof.

FIG. 3 is a top view thereof.

FIG. 4 is a bottom view thereof.

FIG. 5 is a left side view thereof.

FIG. 6 is a right side view thereof.

FIG. 7 is a front perspective view thereof.

FIG. 8 is a back perspective view thereof; and,

FIG. 9 is a reference perspective view showing the seat up.

The broken lines shown in the drawings depict portions of the toilet seat with bidet that form no part of the claimed design.

1 Claim, 9 Drawing Sheets

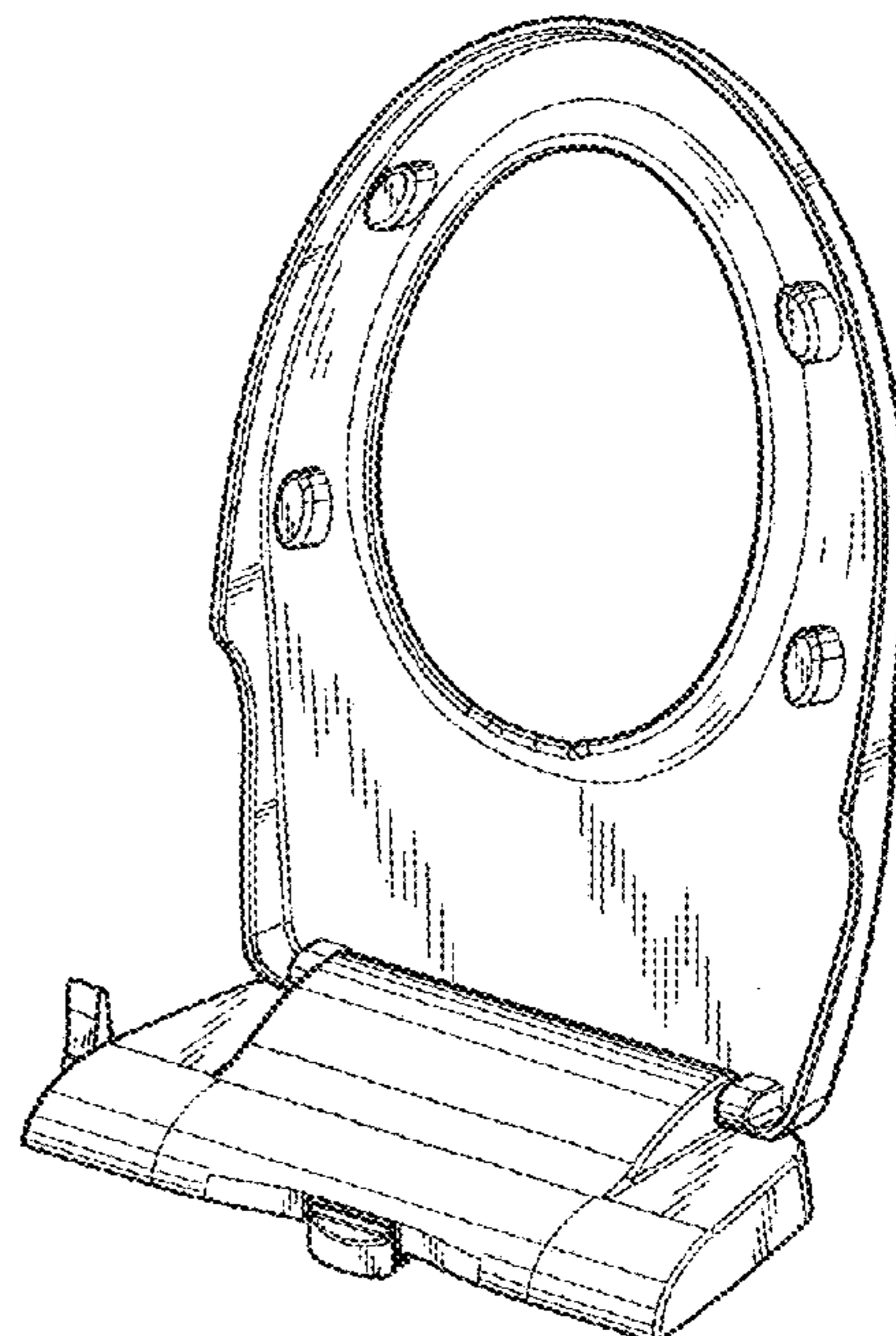
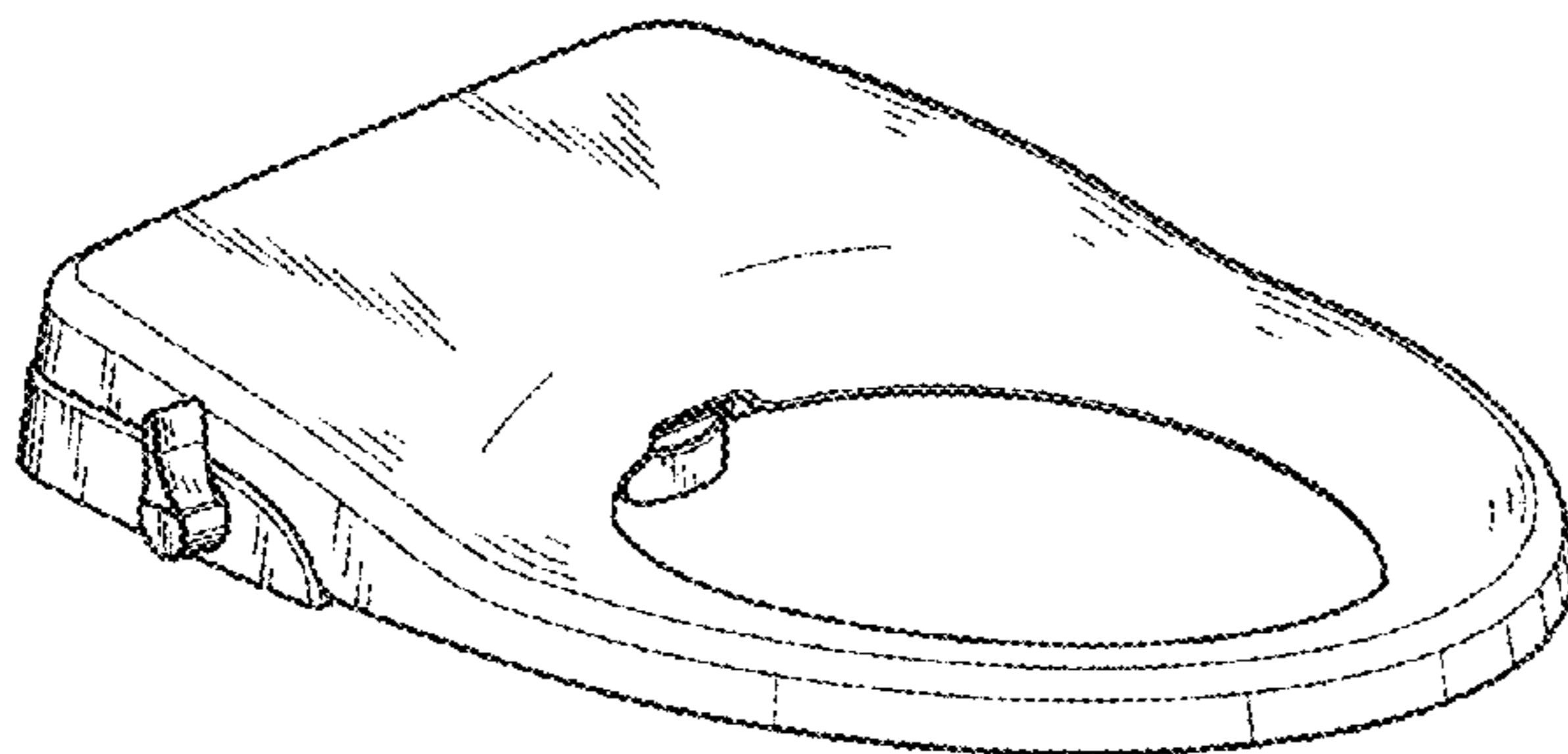


Fig. 1

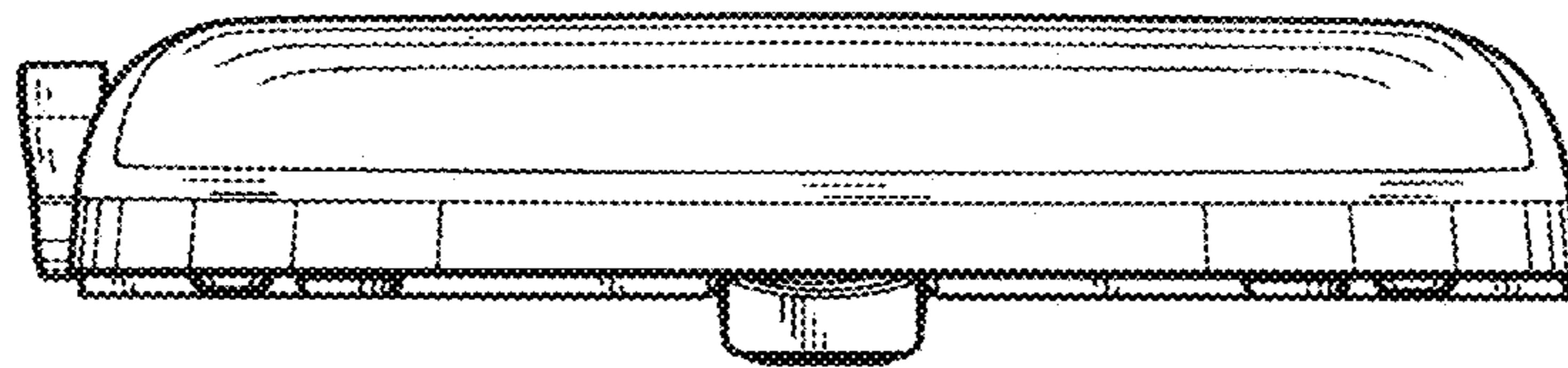


Fig.2

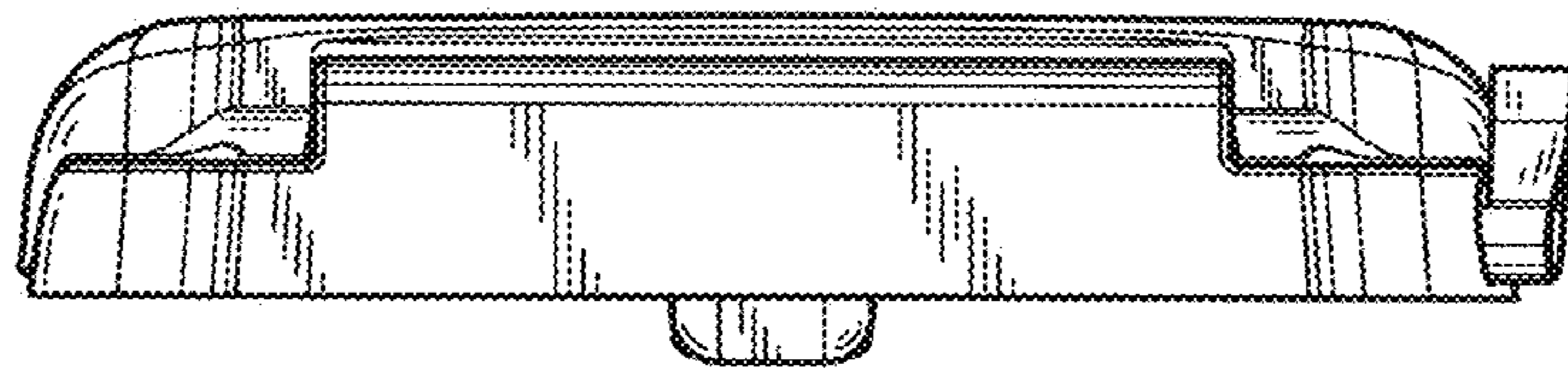


Fig.3

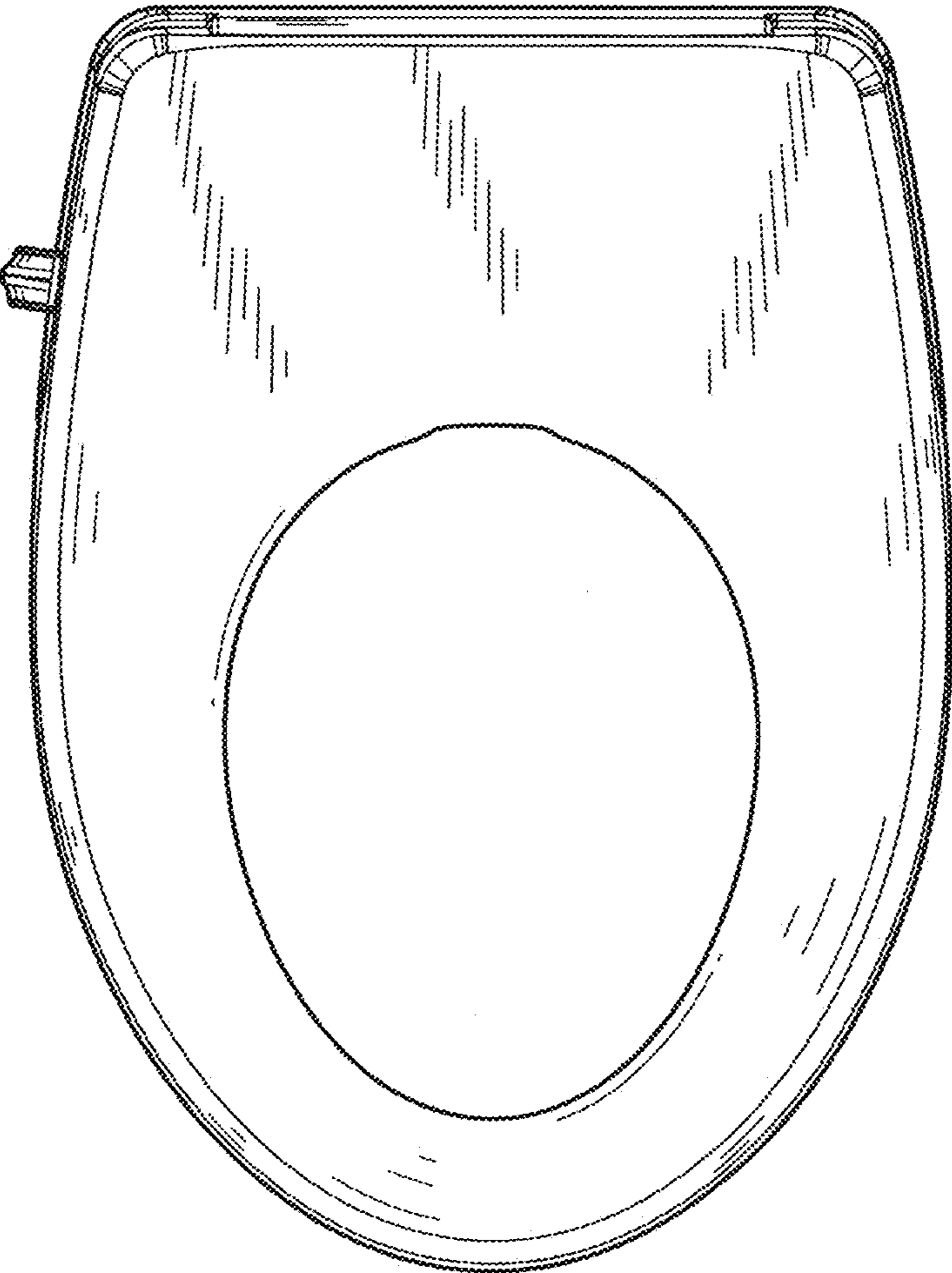


Fig.4

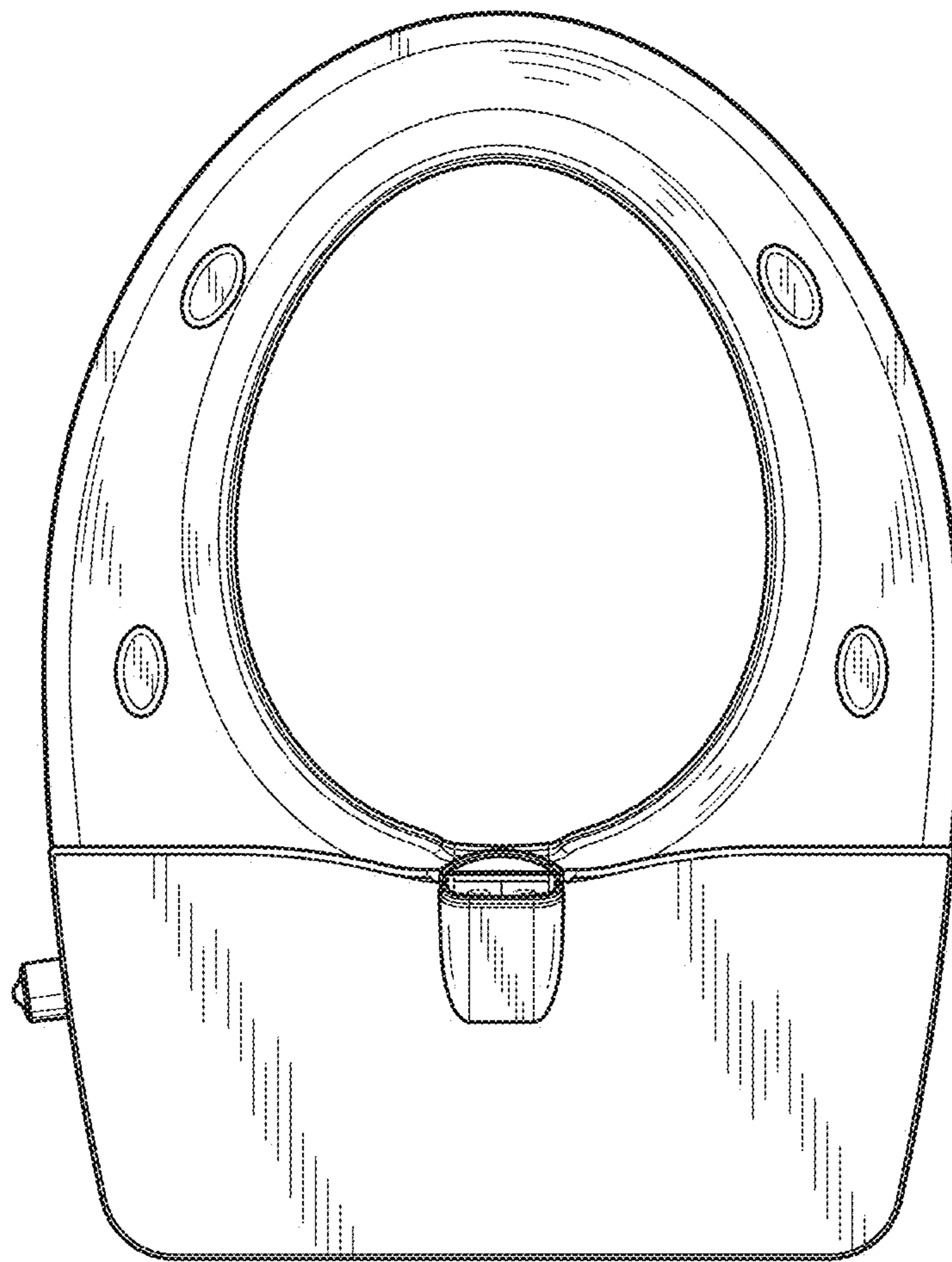


Fig.5

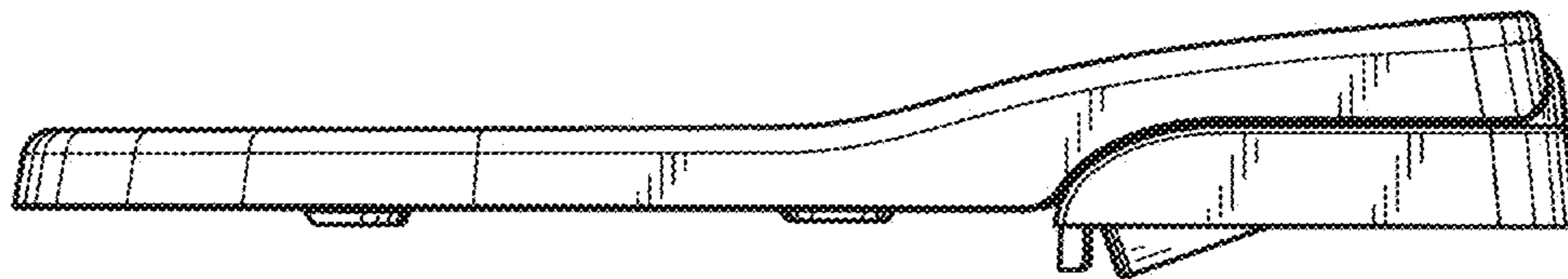


Fig.6

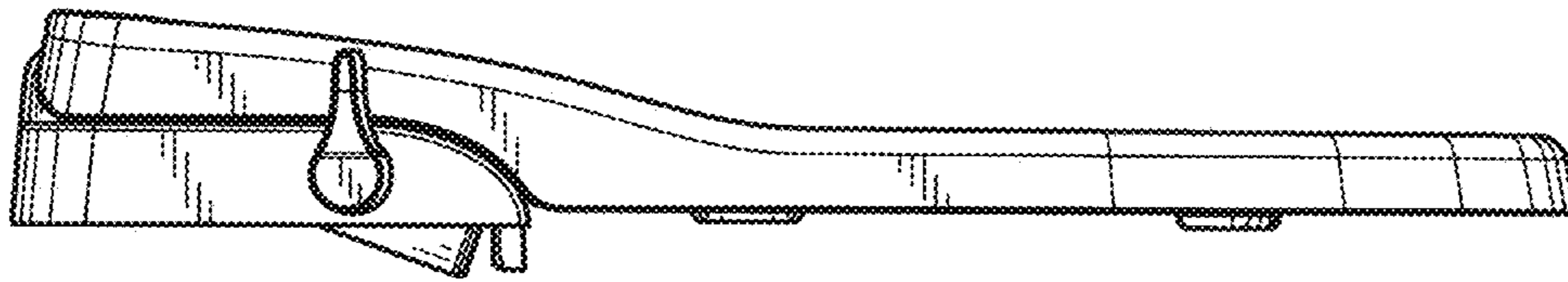


Fig.7

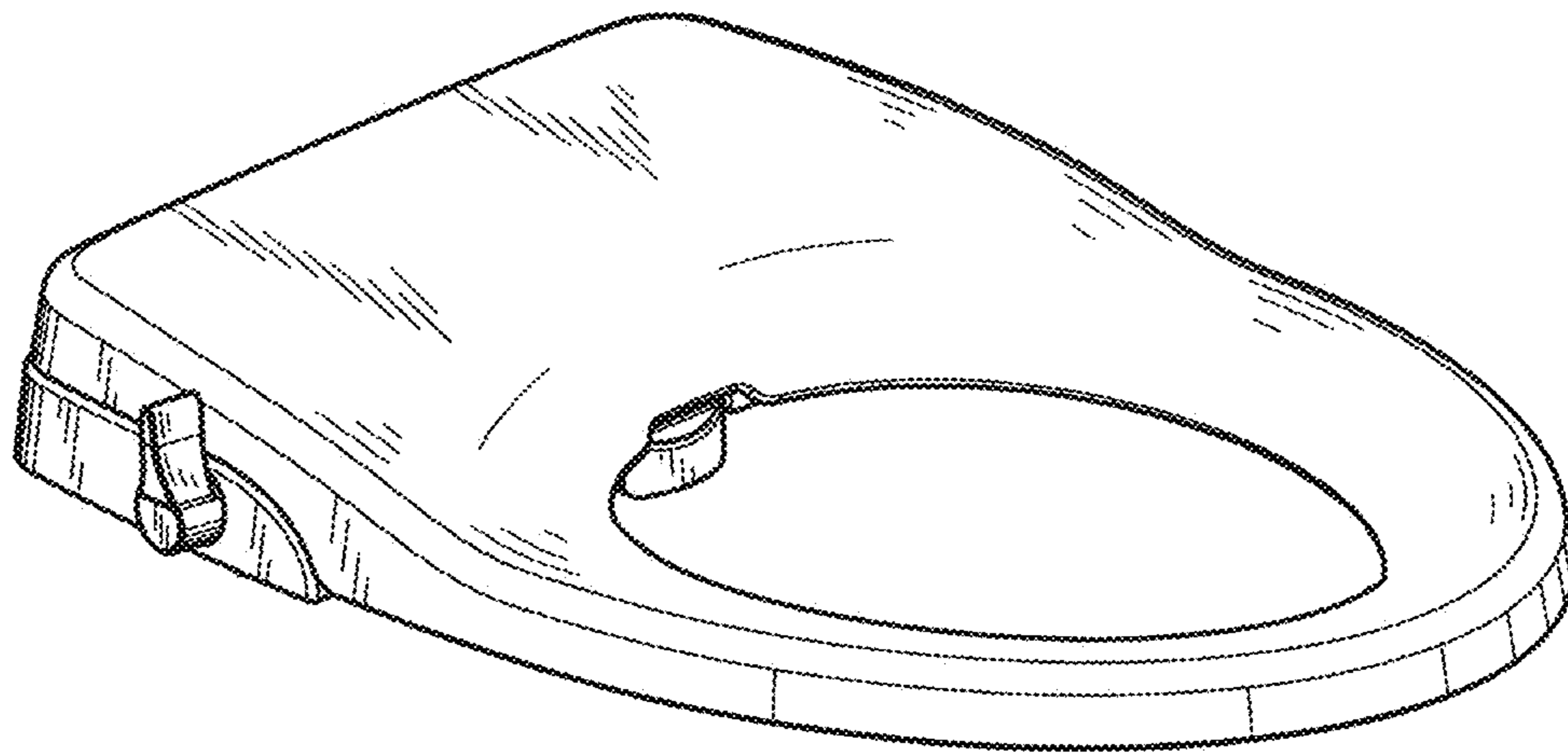


Fig.8

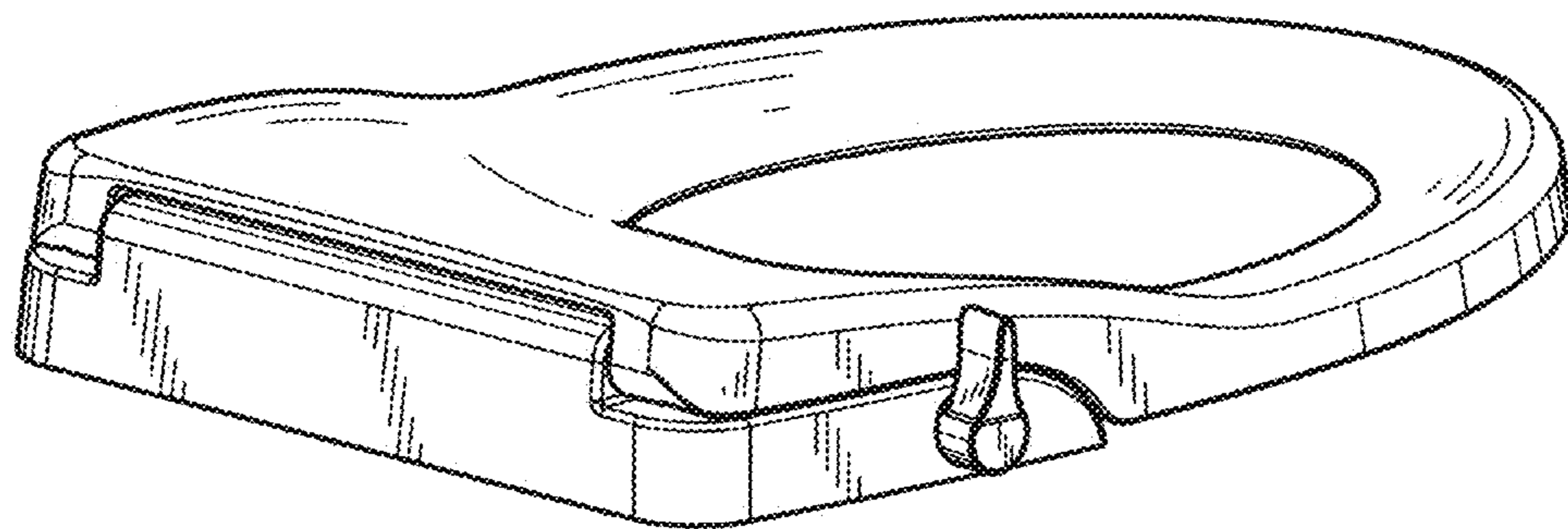


Fig.9

