



US00D941969S

(12) **United States Design Patent**
Kawanishi

(10) **Patent No.:** **US D941,969 S**

(45) **Date of Patent:** **** Jan. 25, 2022**

- (54) **PIPE COUPLING RING**
- (71) Applicant: **SK-KAWANISHI CO., LTD.**, Kagawa (JP)
- (72) Inventor: **Hidehito Kawanishi**, Kagawa (JP)
- (73) Assignee: **SK-KAWANISHI CO., LTD.**, Kagawa (JP)
- (**) Term: **15 Years**
- (21) Appl. No.: **29/716,330**
- (22) Filed: **Dec. 9, 2019**
- (51) **LOC (13) Cl.** **23-01**
- (52) **U.S. Cl.**
USPC **D23/262**
- (58) **Field of Classification Search**
USPC D23/233, 259, 262; D8/354, 396;
285/293.1, 337, 339, 341-343, 413-415
See application file for complete search history.

8,894,100 B2 * 11/2014 Eaton F16L 25/14
285/323

D737,406 S 8/2015 Waggoner et al.
D814,267 S 4/2018 Verbowski
D848,583 S * 5/2019 Nagai D23/259
(Continued)

FOREIGN PATENT DOCUMENTS

JP 2018-109417 A 7/2018
JP D1670370 * 10/2020

OTHER PUBLICATIONS

Office Action issued in Taiwanese Application No. 10920165190, dated Feb. 24, 2020.

Primary Examiner — Amy C Wierenga
(74) *Attorney, Agent, or Firm* — Michael Best & Friedrich LLP

(57) **CLAIM**

The ornamental design for a pipe coupling ring, as shown and described.

(56) **References Cited**

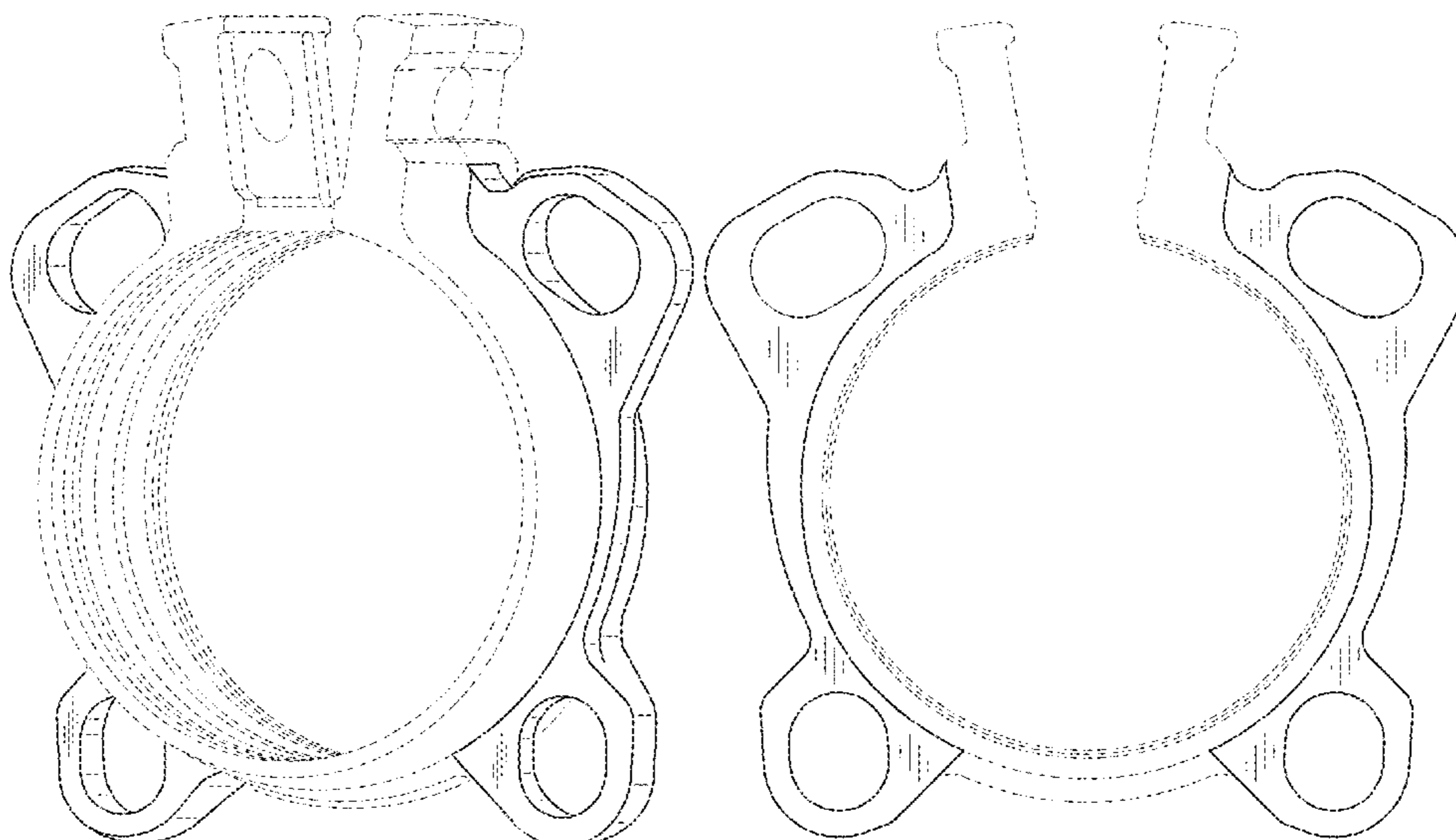
U.S. PATENT DOCUMENTS

- 949,811 A * 2/1910 Walsh E03D 11/16
285/10
- 961,987 A * 6/1910 Rust F16L 23/032
285/412
- 2,225,750 A * 12/1940 Martin F16L 21/04
277/623
- 3,515,416 A * 6/1970 Pickert F16L 23/032
285/413
- 4,544,188 A * 10/1985 Dugger F16L 23/032
285/337
- D313,739 S 1/1991 Preston
- D339,975 S * 10/1993 Bird D23/262
- D371,138 S 6/1996 Waskiewicz
- 6,050,614 A * 4/2000 Kirkpatrick F16L 23/024
123/469
- D583,914 S * 12/2008 Pierce D23/262
- 8,424,918 B2 * 4/2013 Gibb F16L 21/065
285/112

DESCRIPTION

FIG. 1 is a front, top, right perspective view of a pipe coupling ring showing my new design;
FIG. 2 is a rear, top, left perspective view thereof;
FIG. 3 is a front elevational view thereof;
FIG. 4 is a rear elevational view thereof;
FIG. 5 is a left side elevational view thereof;
FIG. 6 is a right side elevational view thereof; and
FIG. 7 is a top plan view thereof; and,
FIG. 8 is a bottom plan view thereof.
The broken lines illustrating portions of the pipe coupling ring form no part of the claimed design. The dot-dash broken lines defining the boundaries of the claimed design form no part of the claimed design.

1 Claim, 6 Drawing Sheets



(56)

References Cited

U.S. PATENT DOCUMENTS

11,060,639 B2 * 7/2021 Cuvo F16L 23/22
2007/0040336 A1 * 2/2007 Sun F16L 21/065
277/608

* cited by examiner

FIG.1

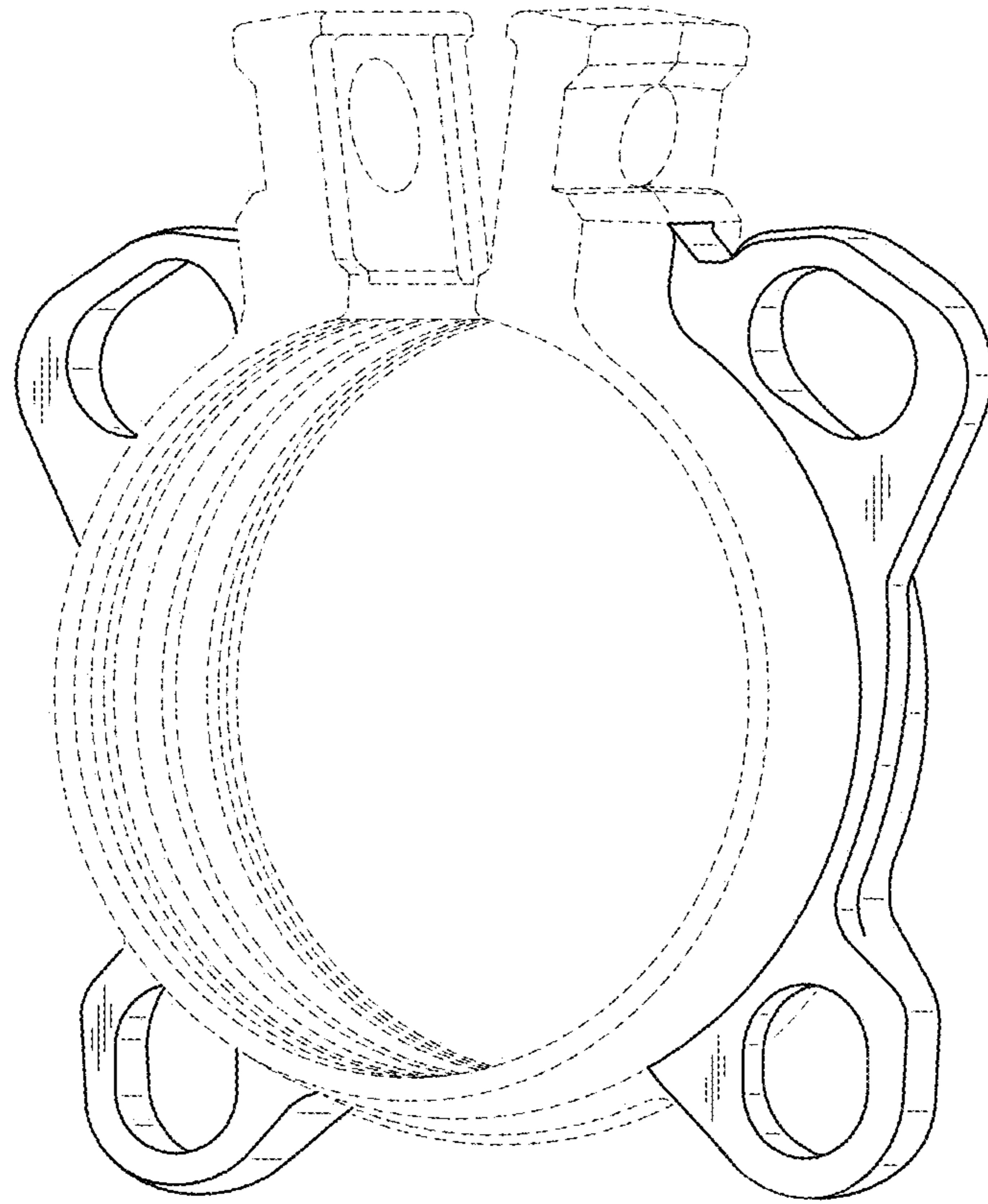


FIG.2

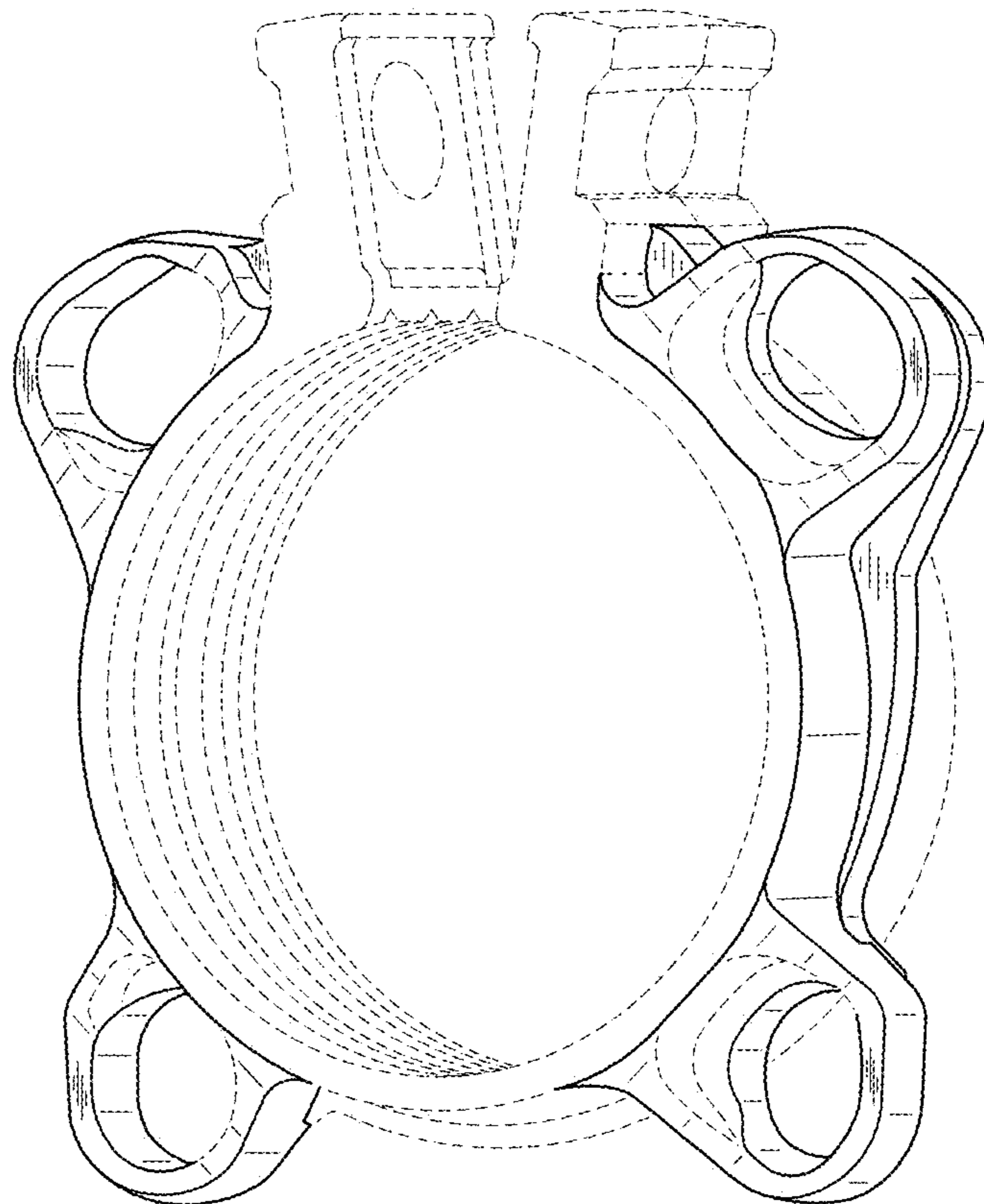


FIG.3

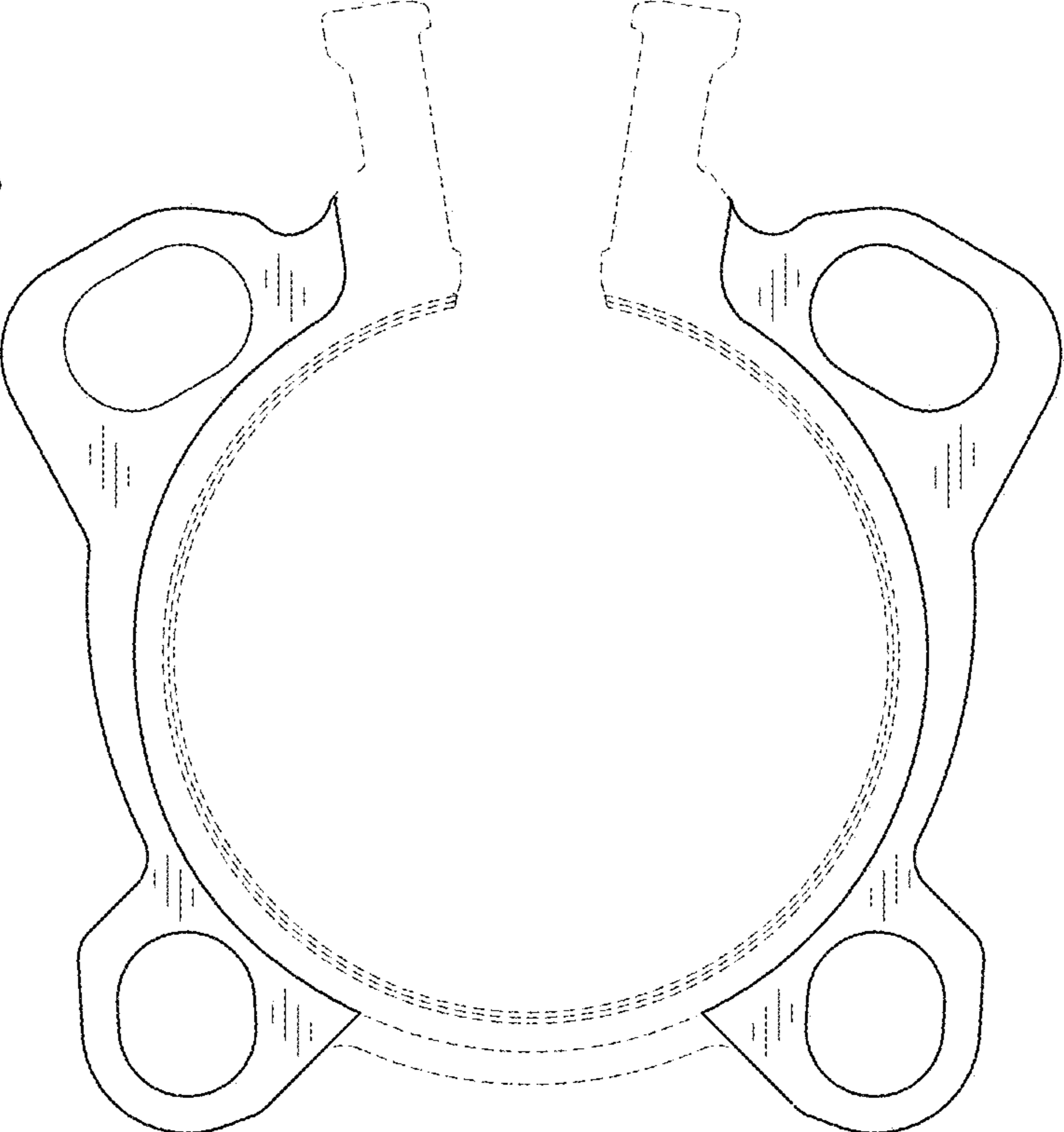
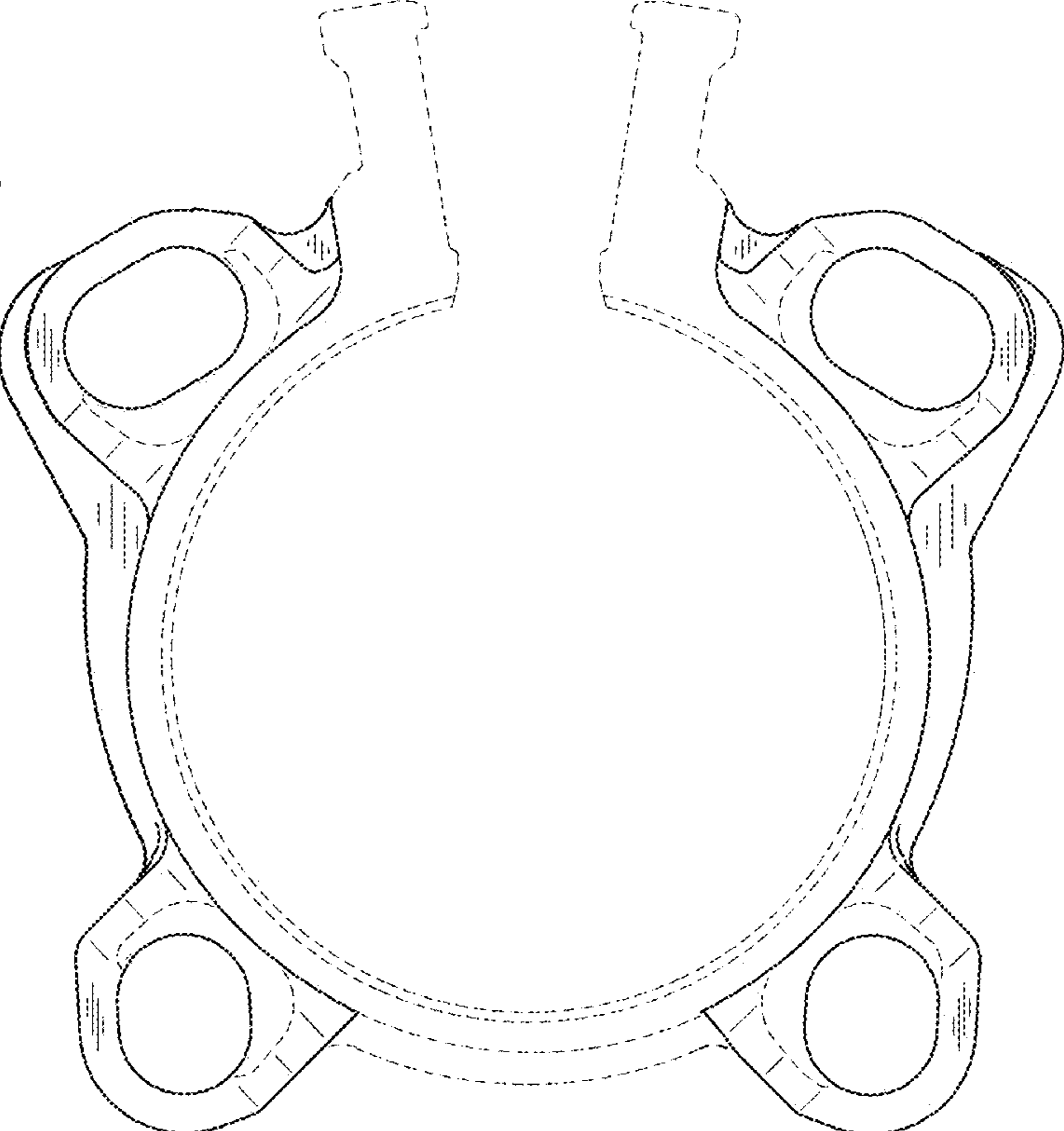


FIG.4



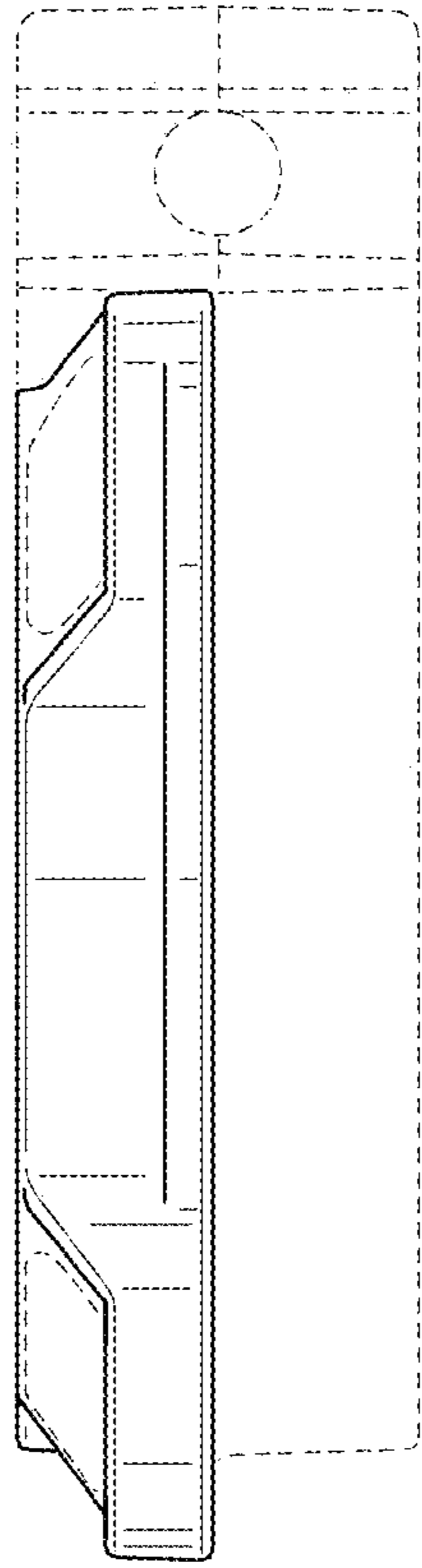


FIG. 5

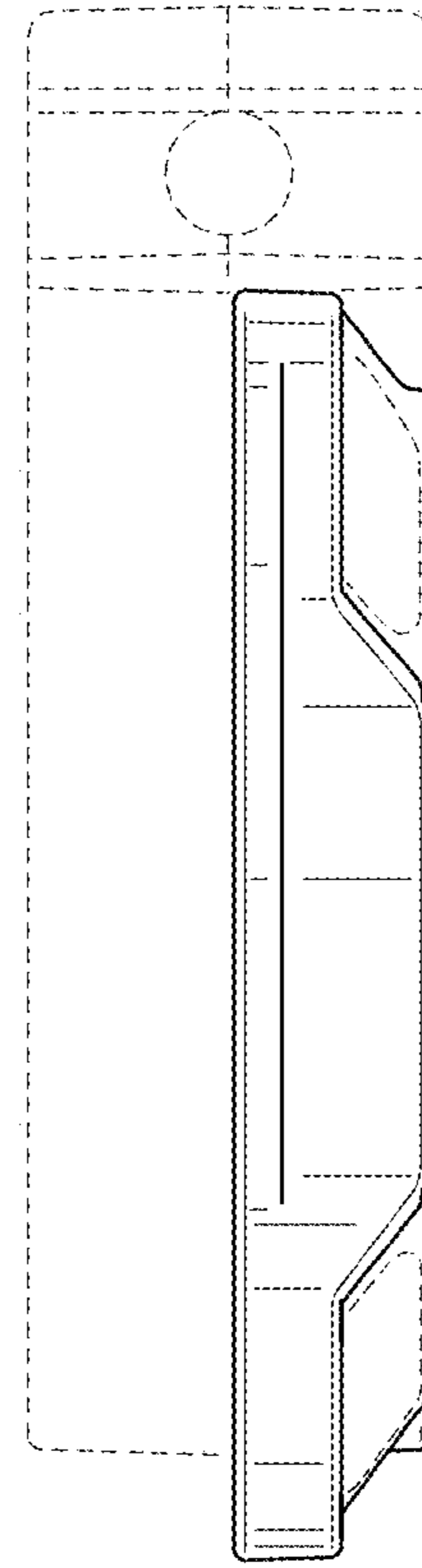


FIG. 6

FIG. 7

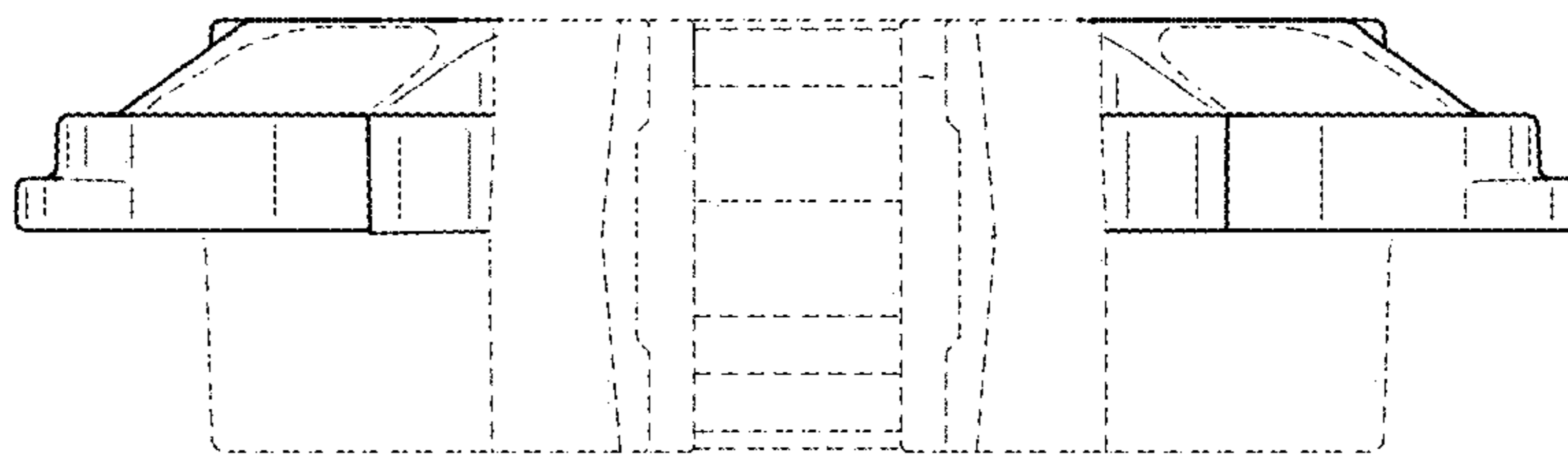


FIG. 8



FIG.9

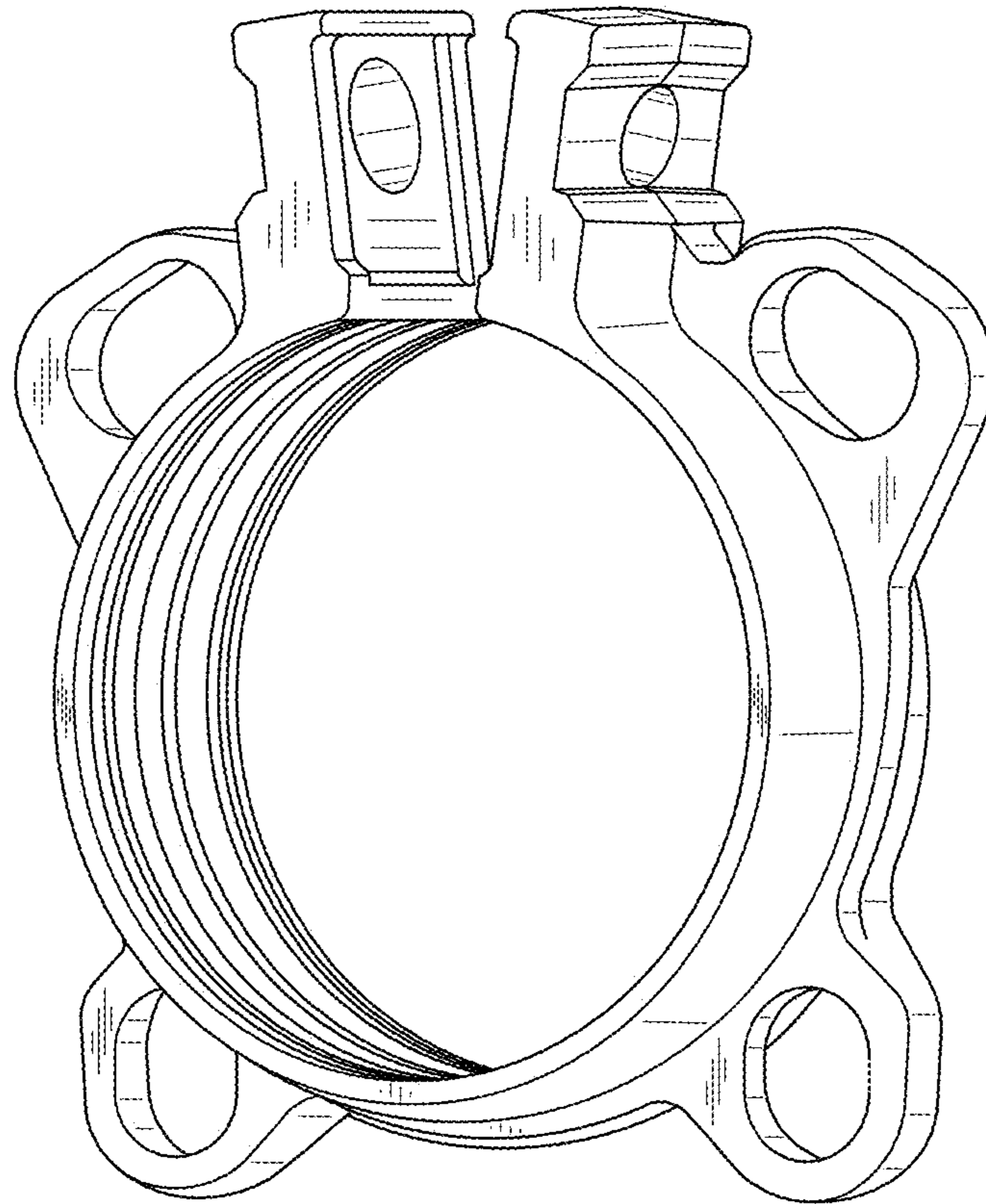


FIG.10

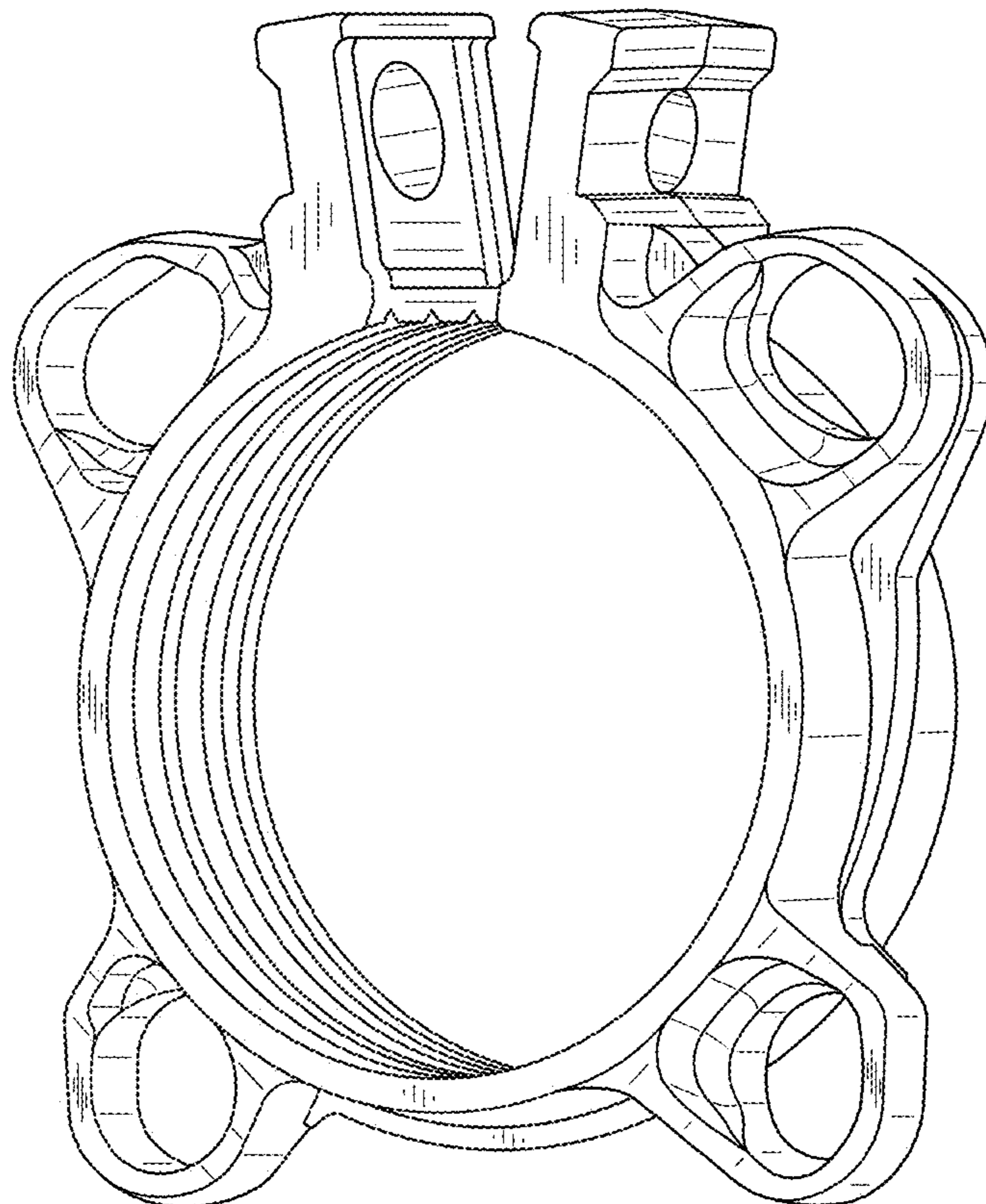


FIG.11

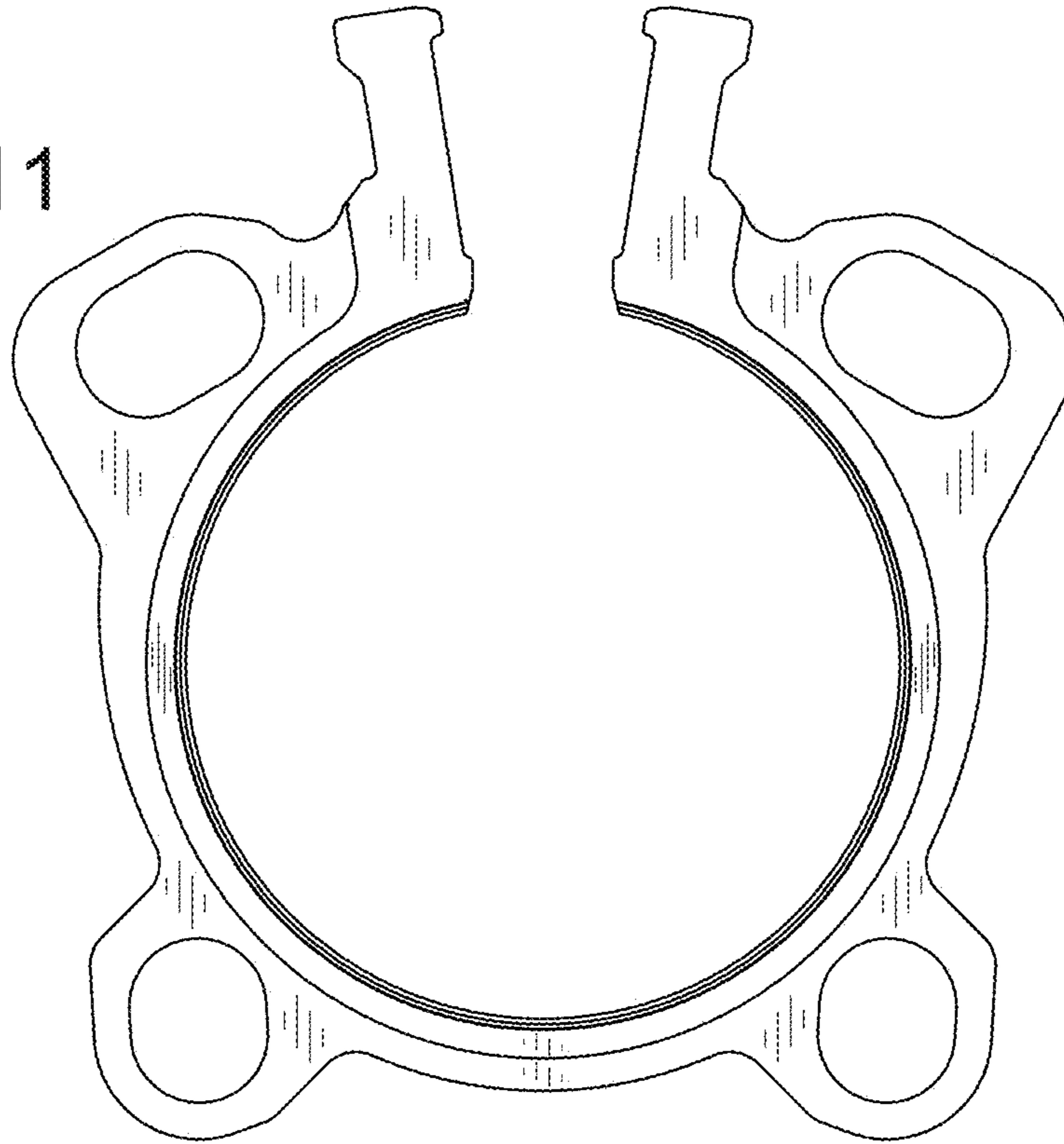
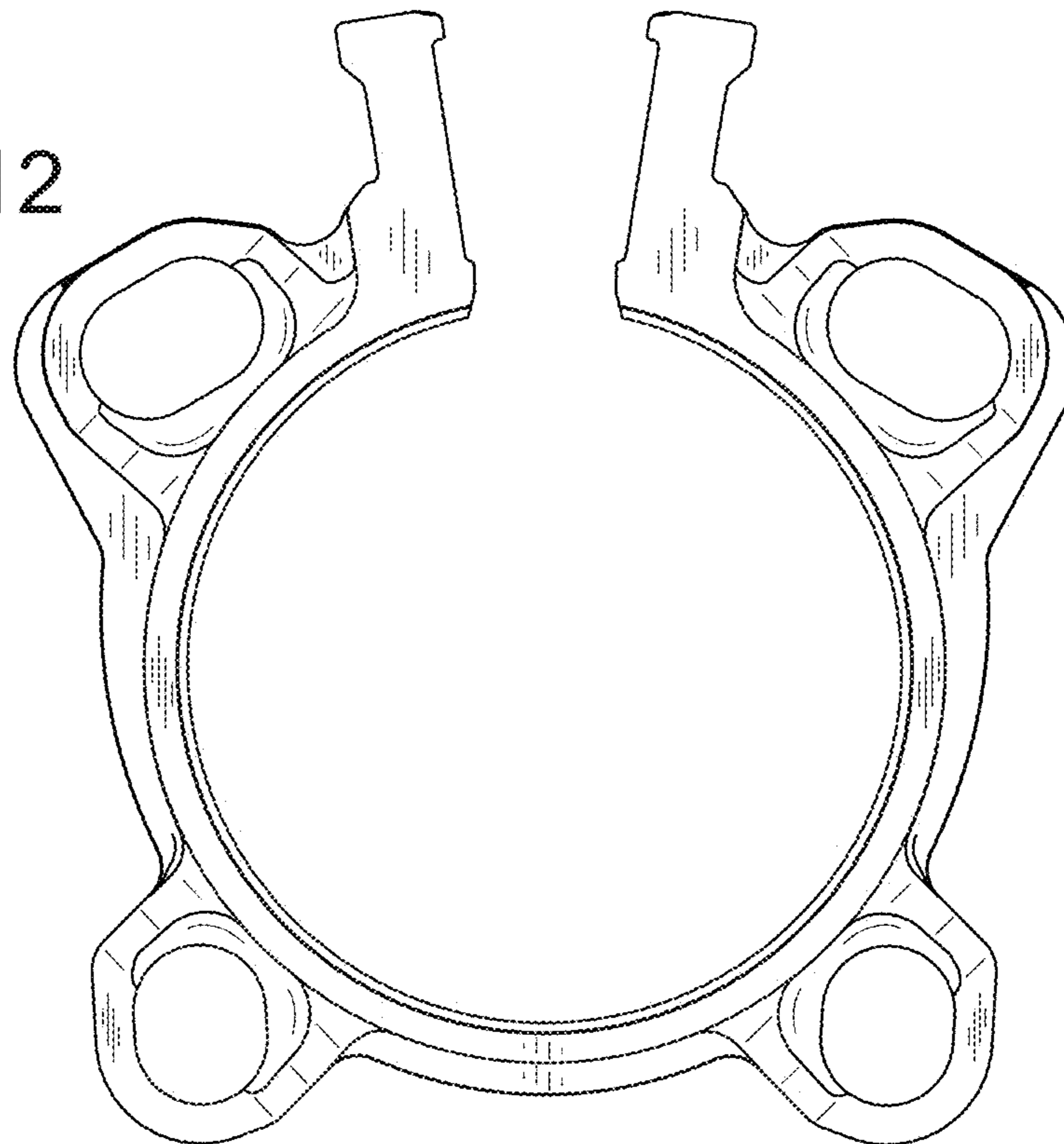


FIG.12



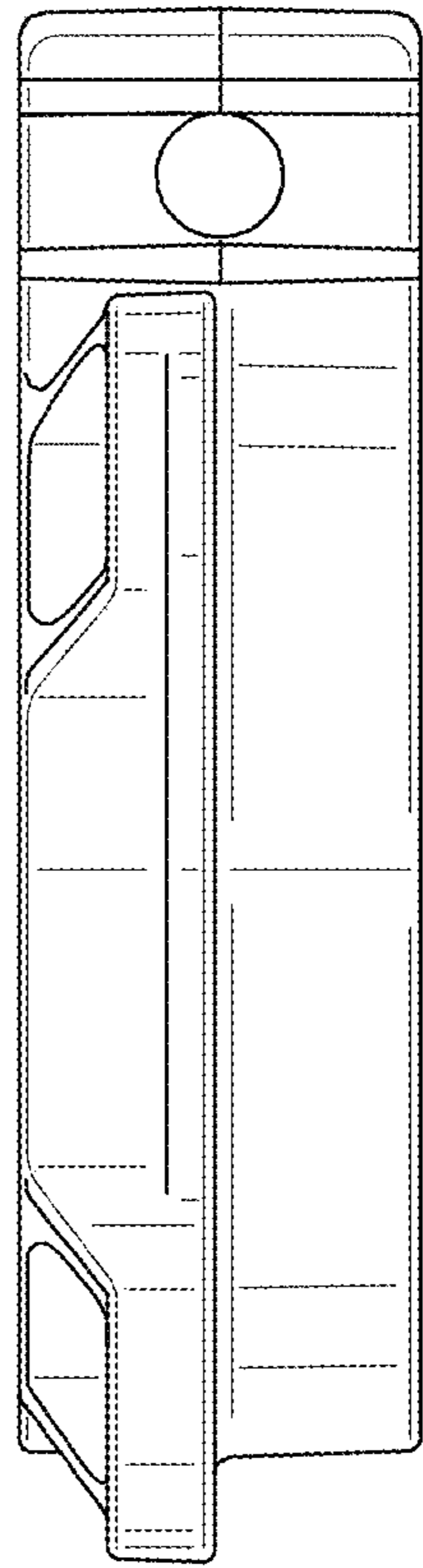


FIG. 13

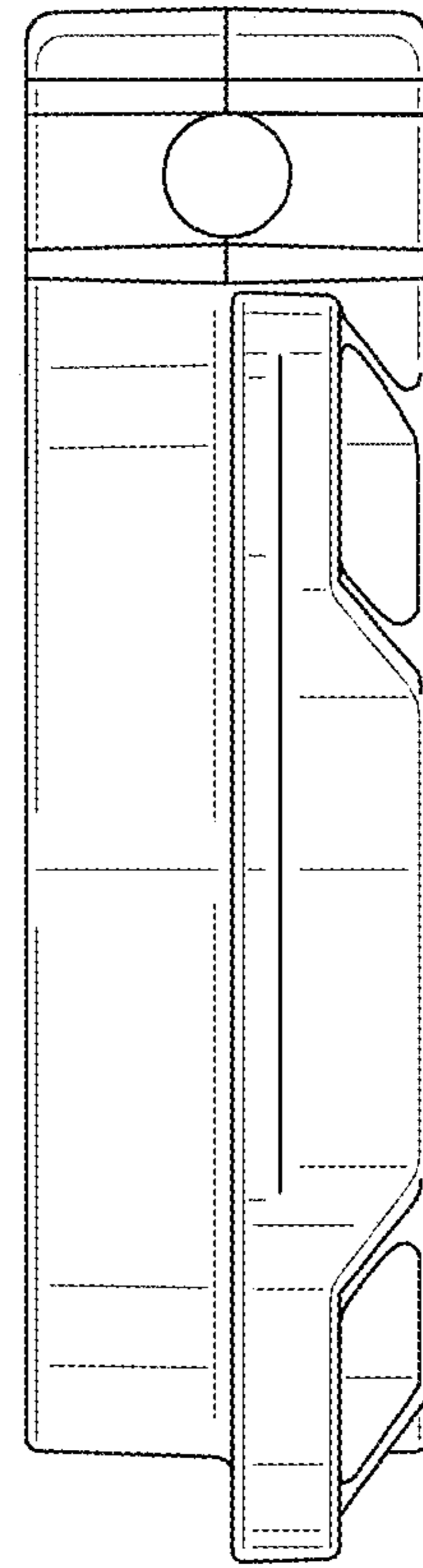


FIG. 14

FIG. 15

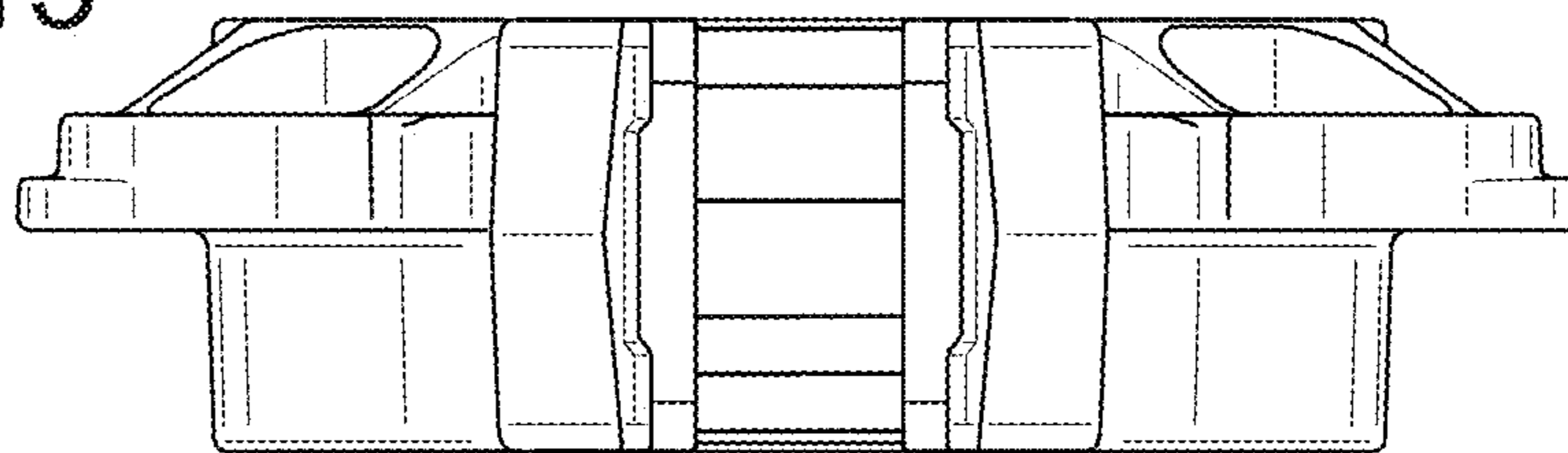


FIG. 16

