



US00D941967S

(12) **United States Design Patent**
Smerdon

(10) **Patent No.:** **US D941,967 S**
(45) **Date of Patent:** **** Jan. 25, 2022**

(54) **DRAIN GRATE**

(71) Applicant: **Everhard Industries Pty Ltd**, Geebung (AU)

(72) Inventor: **Kevin Smerdon**, Geebung (AU)

(73) Assignee: **EVERHARD INDUSTRIES PTY LTD**, Queensland (AU)

(**) Term: **15 Years**

(21) Appl. No.: **29/732,830**

(22) Filed: **Apr. 28, 2020**

(30) **Foreign Application Priority Data**

Nov. 13, 2019 (AU) 201916455

(51) **LOC (13) Cl.** **23-01**

(52) **U.S. Cl.**
USPC **D23/261**

(58) **Field of Classification Search**
USPC 210/162-166, 499, 464, 482, 167.1, 210/167.12, 167.15; D23/259-261, 206, D23/208-209, 365, 267-268; D7/300.1, D7/369, 400, 667; 4/256.1, 286-295, 4/679, 688-689, 507-508, 510, 513; 137/247.33, 545-547; D9/435-436, 447; D27/194; D30/128, 132; 47/14, 61; D32/55; D25/152, 156; 52/12-13, 101
CPC E03C 1/12; E04H 4/1272; A01G 3/02; B65D 43/0231; E03F 2005/068
See application file for complete search history.

(56) **References Cited**

U.S. PATENT DOCUMENTS

D743,005 S * 11/2015 Donald D23/261
D759,791 S * 6/2016 Hull D23/261
10,106,970 B2 * 10/2018 Plank E03F 5/0407
2014/0130902 A1 * 5/2014 Lucas E03F 5/0407
137/363

2014/0305855 A1 * 10/2014 Eddy E03F 5/14
210/170.03
2014/0317841 A1 * 10/2014 DeJesus E03F 5/0407
4/613
2015/0135430 A1 * 5/2015 Muirhead E03C 1/20
4/695
2015/0342420 A1 * 12/2015 Secher A47K 3/30
4/613
2016/0298324 A1 * 10/2016 Blamble E03F 5/0409
2018/0110379 A1 * 4/2018 Wadaga E03C 1/12
2019/0055727 A1 * 2/2019 Jones E03F 5/0408
2019/0100906 A1 * 4/2019 McLeod E03F 5/0408
2020/0214510 A1 * 7/2020 Brill A47K 3/40

OTHER PUBLICATIONS

EasyDRAIN Edge Internal Corner & Grate; Visited online Sep. 21, 2021 at <https://www.everhard.com.au/product/easydrain-edge-internal-corner-grate/>; Internet archive WayBack date Sep. 19, 2020 (Year: 2020).*

* cited by examiner

Primary Examiner — Amy C Wierenga
(74) *Attorney, Agent, or Firm* — Edell, Shapiro & Finnan, LLC

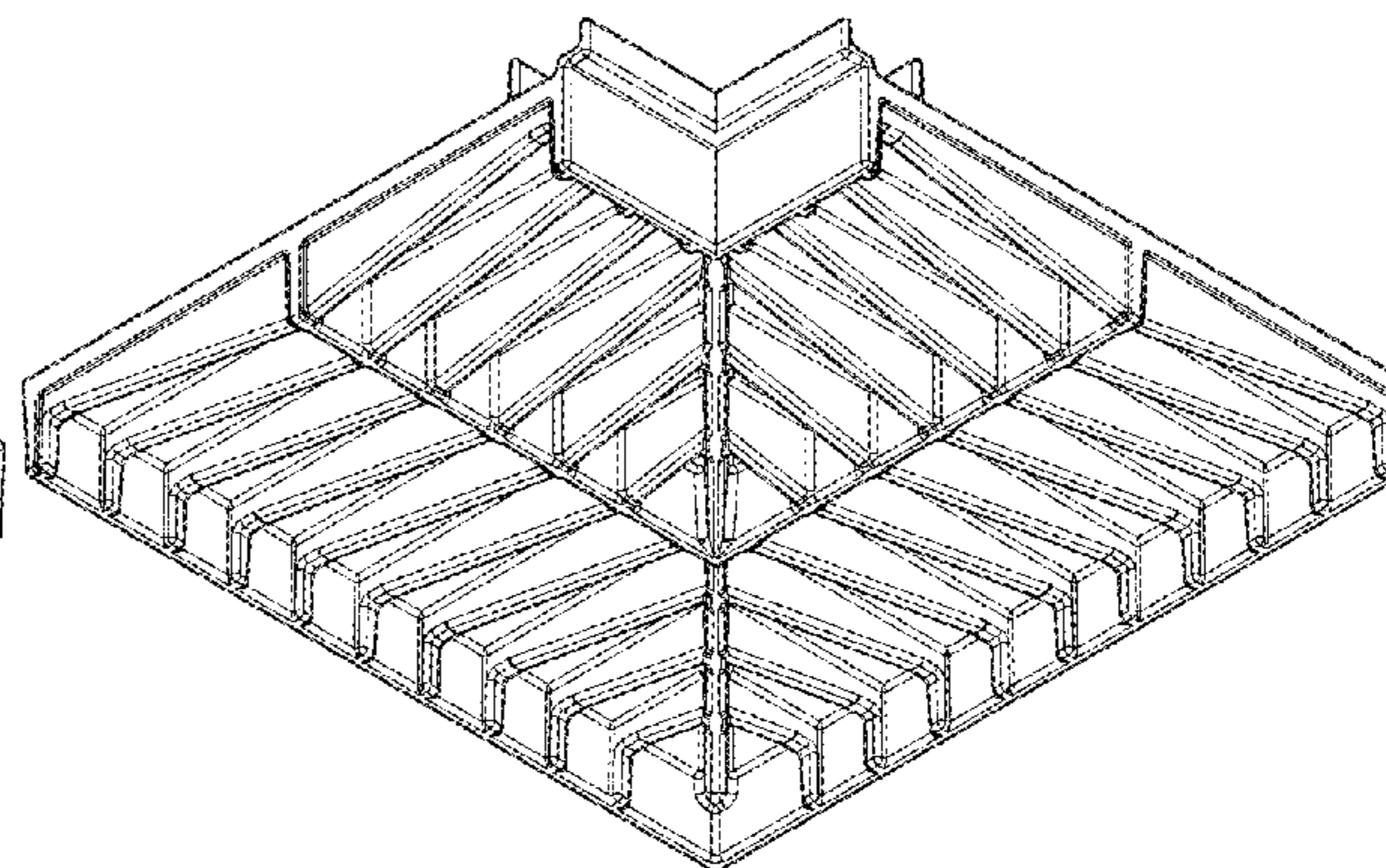
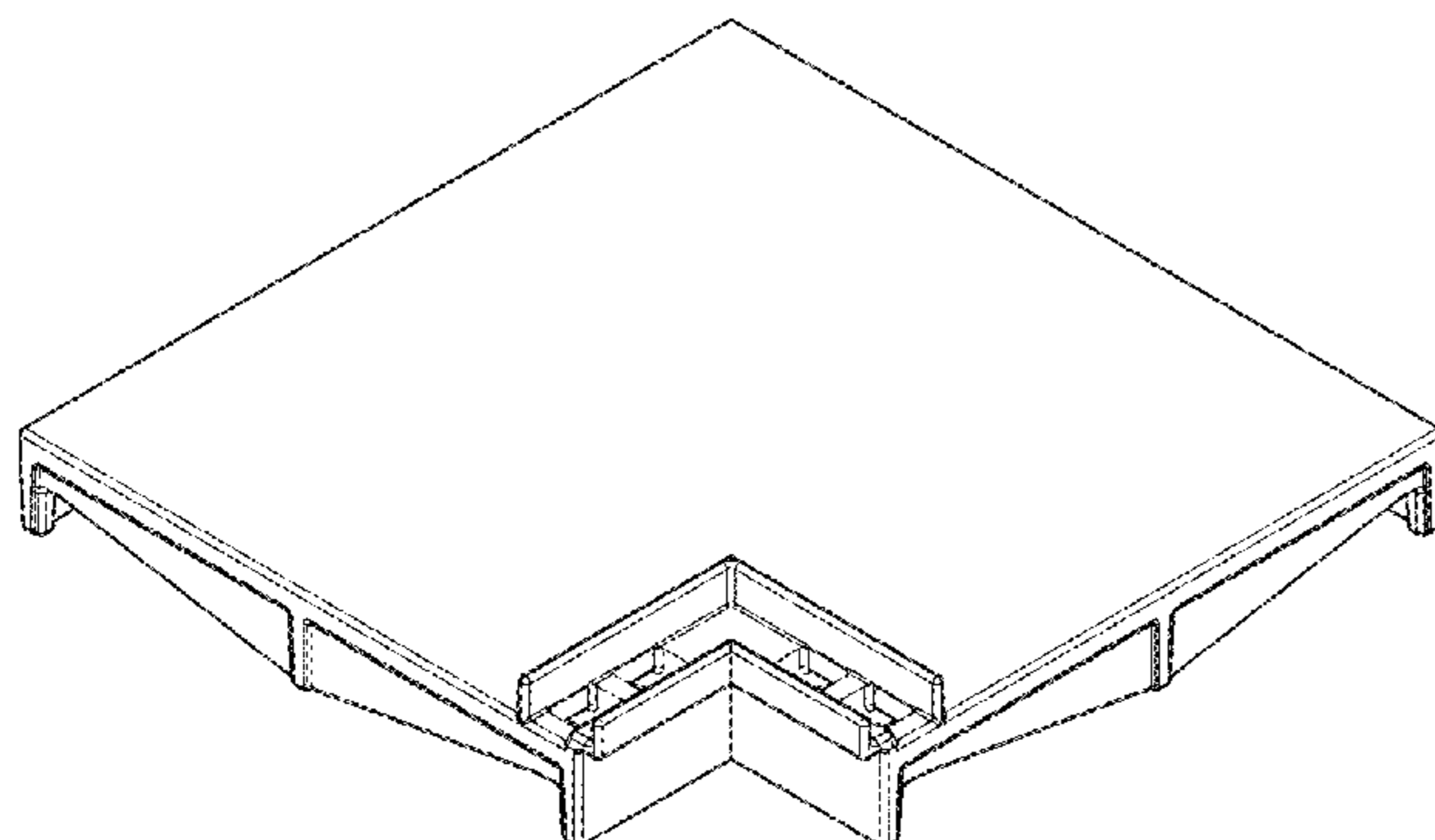
(57) **CLAIM**

The ornamental design for a drain grate, as shown and described.

DESCRIPTION

FIG. 1 is a top perspective view of the drain grate according to the present invention;
FIG. 2 is a bottom perspective view of the drain grate of FIG. 1;
FIG. 3 is a top view of the drain grate of FIG. 1;
FIG. 4 is a bottom view of the drain grate of FIG. 1;
FIG. 5 is a front view of the drain grate of FIG. 1; and,
FIG. 6 is a right side view of the drain grate of FIG. 1, where the left side view (not shown) is a mirror of the right side view.

1 Claim, 3 Drawing Sheets



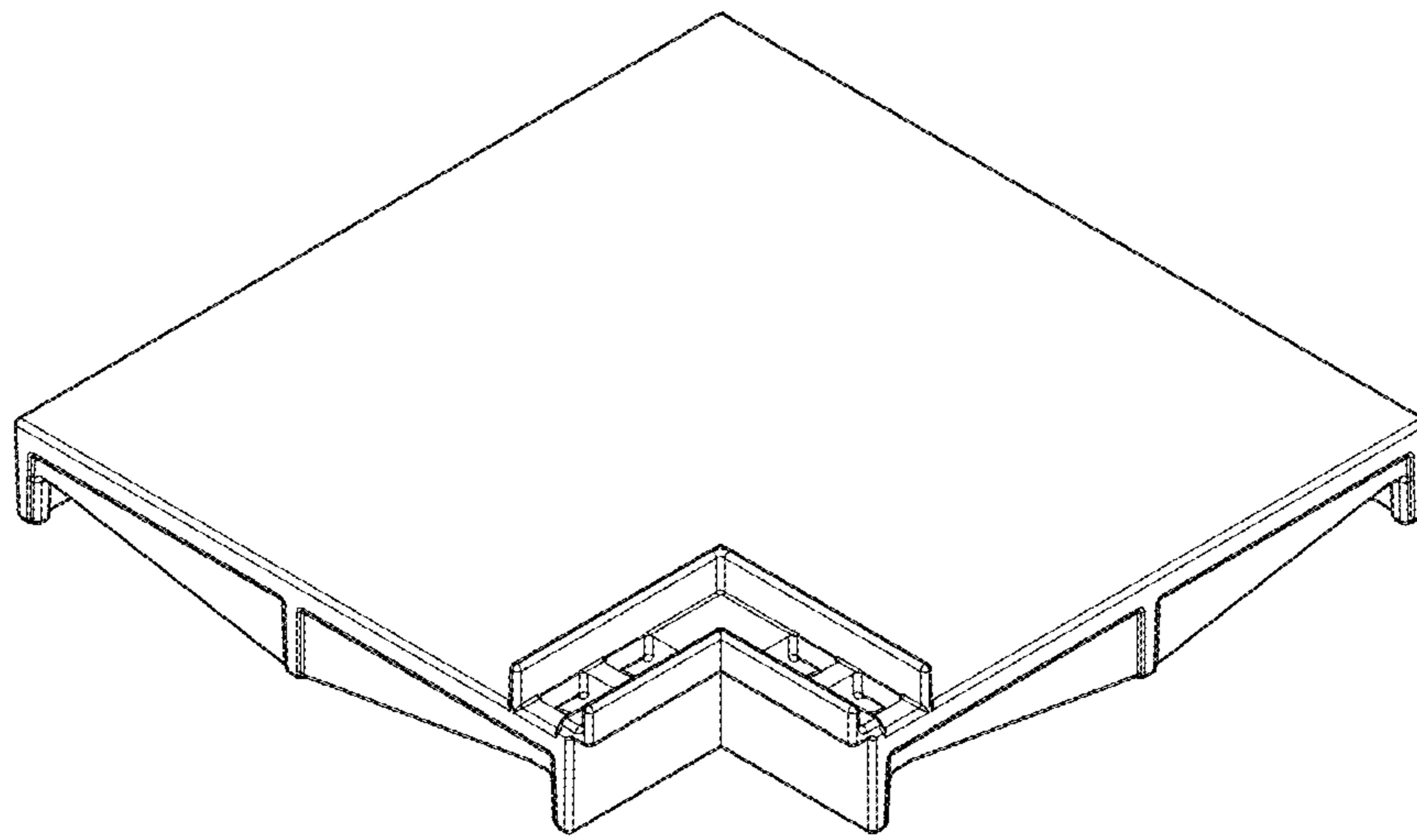


FIG.1

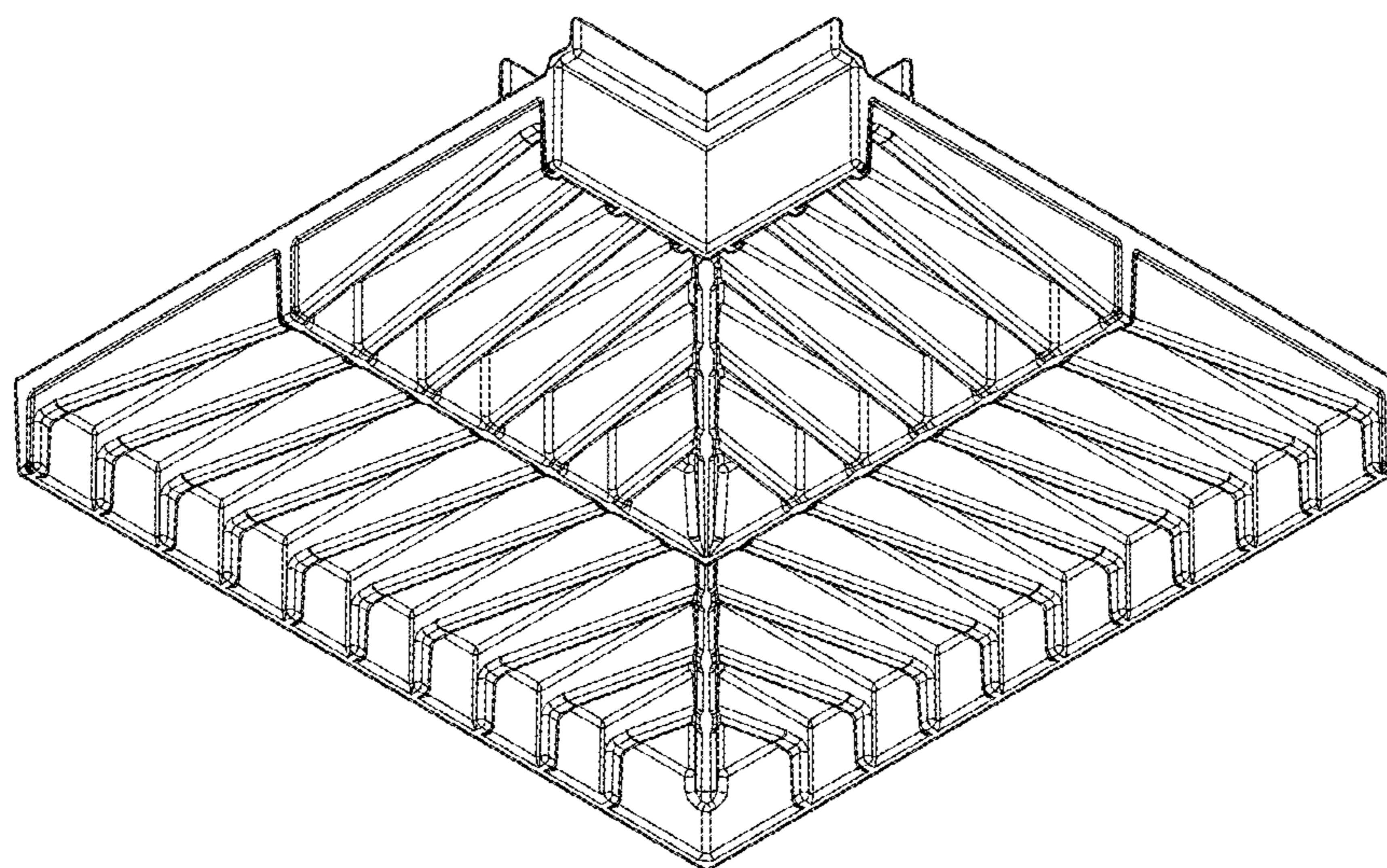


FIG.2

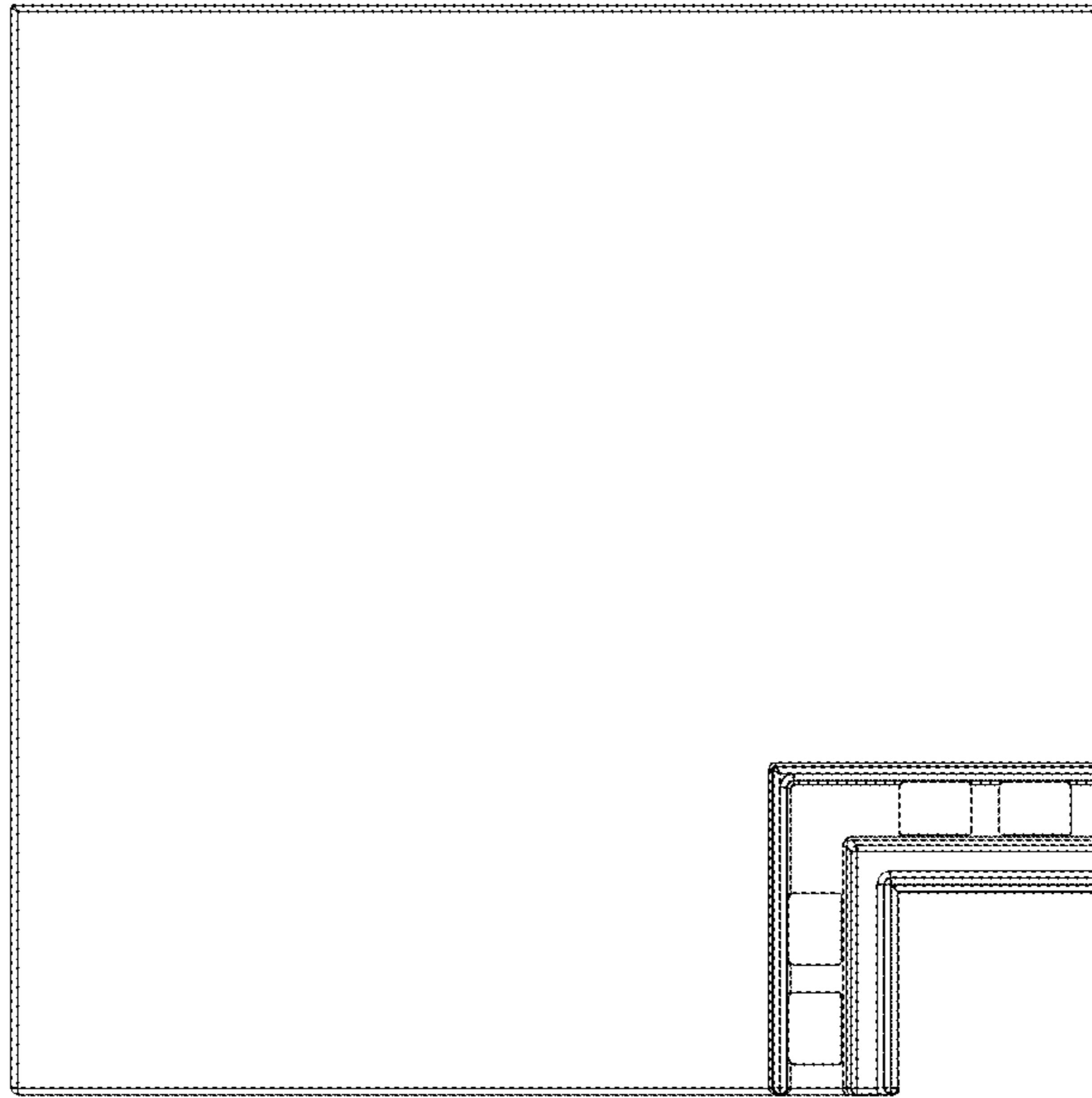


FIG.3

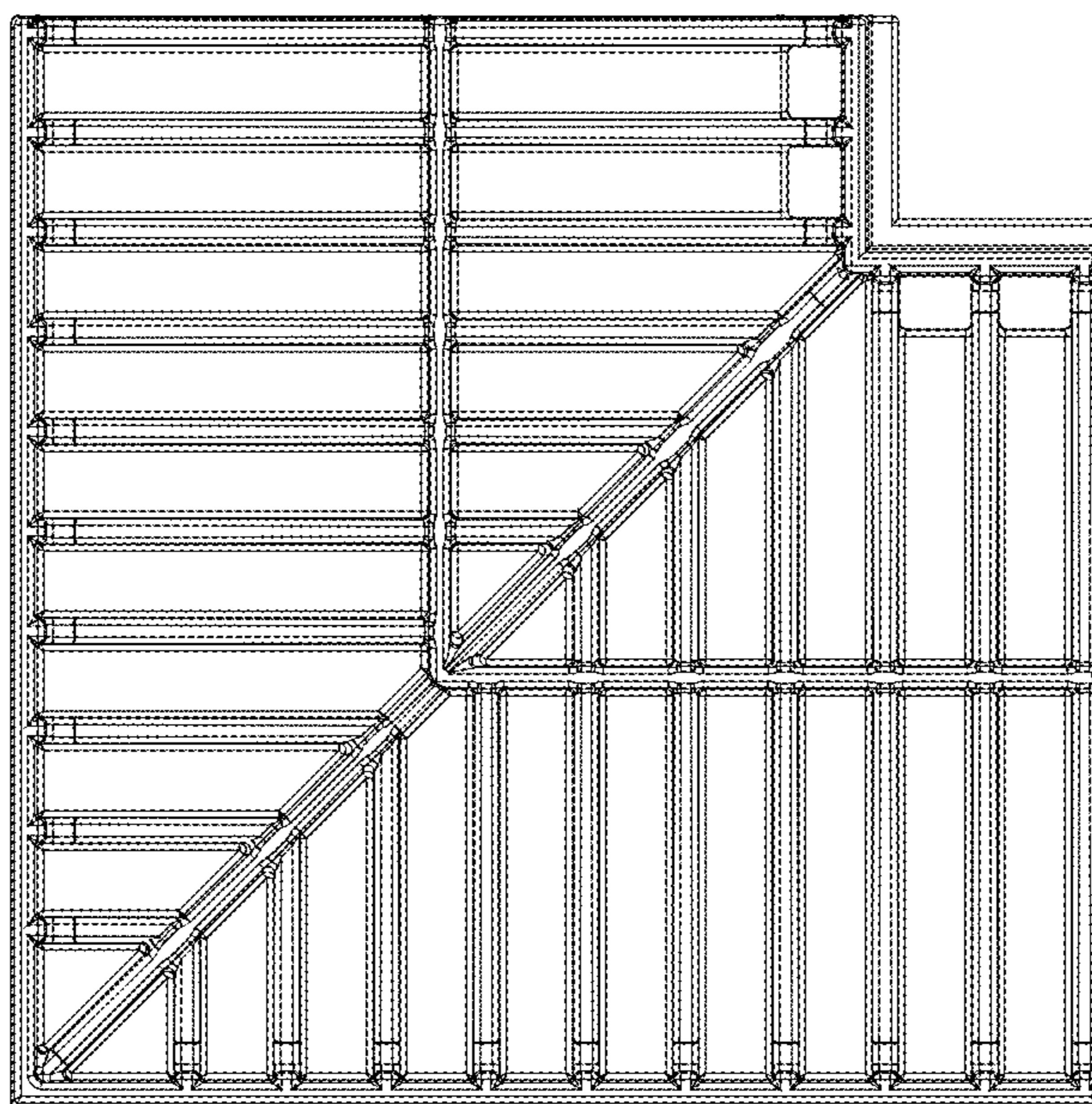


FIG.4

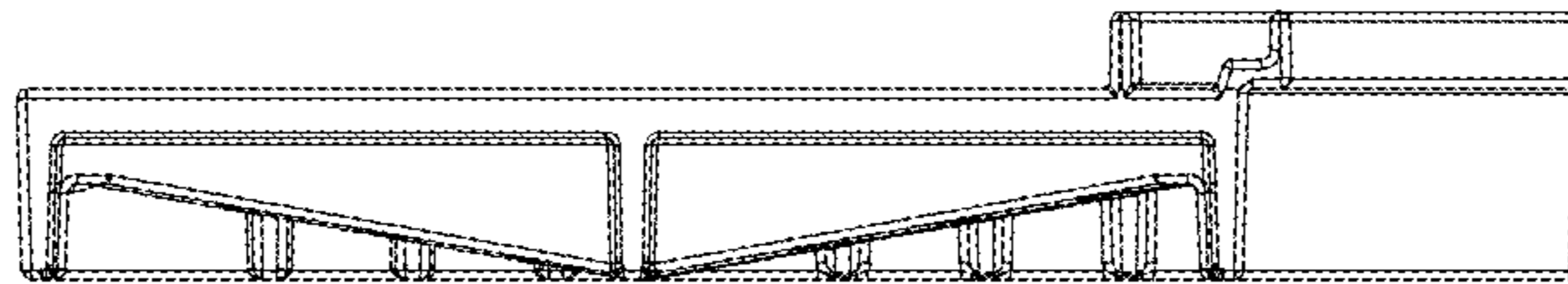


FIG.5

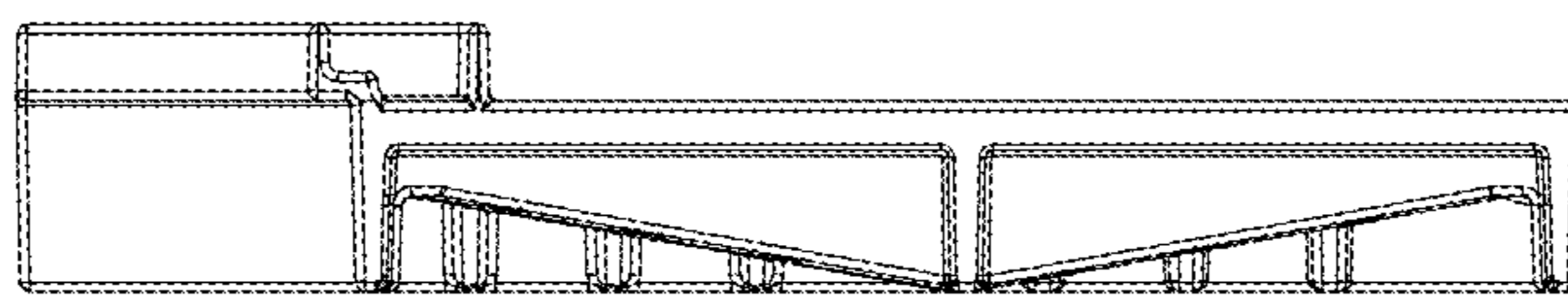


FIG.6