



US00D941966S

(12) **United States Design Patent**
Smerdon

(10) **Patent No.:** **US D941,966 S**
(45) **Date of Patent:** **** Jan. 25, 2022**

- (54) **DRAIN GRATE**
- (71) Applicant: **Everhard Industries Pty Ltd**, Geebung (AU)
- (72) Inventor: **Kevin Smerdon**, Geebung (AU)
- (73) Assignee: **Everhard Industries Pty Ltd**, Queensland (AU)
- (**) Term: **15 Years**
- (21) Appl. No.: **29/732,828**
- (22) Filed: **Apr. 28, 2020**

(30) **Foreign Application Priority Data**

Nov. 13, 2019 (AU) 201916454

(51) **LOC (13) Cl.** **23-01**

(52) **U.S. Cl.**
USPC **D23/261**; D25/138

(58) **Field of Classification Search**
USPC 210/162-166, 499, 464, 482, 167.1, 210/167.12, 167.15; D23/259-261, 206, D23/208-209, 365, 267-268; D7/300.1, D7/369, 400, 667; 4/256.1, 286-295, 4/679, 688-689, 507-508, 510, 513; 137/247.33, 545-547; D9/435-436, 447; D27/194; D30/128, 132; 47/14, 61; D32/55; D25/152, 156; 52/12-13, 101
CPC E03C 1/12; E04H 4/1272; A01G 3/02; B65D 43/0231; E03F 2005/068
See application file for complete search history.

(56) **References Cited**

U.S. PATENT DOCUMENTS

D572,358 S * 7/2008 Natrass D23/397
D792,954 S * 7/2017 Sander D23/304
10,519,636 B2 * 12/2019 Schluter E03C 1/14

2005/0232701 A1 * 10/2005 Humphries E03F 5/06
405/43
2008/0104910 A1 * 5/2008 Andras E03F 5/0407
52/302.3
2011/0016622 A1 * 1/2011 Dallmer E03F 5/06
4/286
2011/0162137 A1 * 7/2011 Kik, Sr. E03F 3/046
4/613
2011/0203979 A1 * 8/2011 Schlueter E03F 5/04
210/164
2015/0342420 A1 * 12/2015 Secher A47K 3/30
4/613
2016/0326735 A1 * 11/2016 Krcil E03F 5/04
2017/0196413 A1 * 7/2017 Sander A47K 3/40
(Continued)

OTHER PUBLICATIONS

EasyDRAIN Edge Access Pit & Grate; Visited online Sep. 21, 2021 at <https://www.everhard.com.au/product/easydrain-edge-access-pit-grate/>; Internet archive WayBack date Sep. 19, 2020 (Year: 2020).*

Primary Examiner — Amy C Wierenga
(74) *Attorney, Agent, or Firm* — Edell, Shapiro & Finnan, LLC

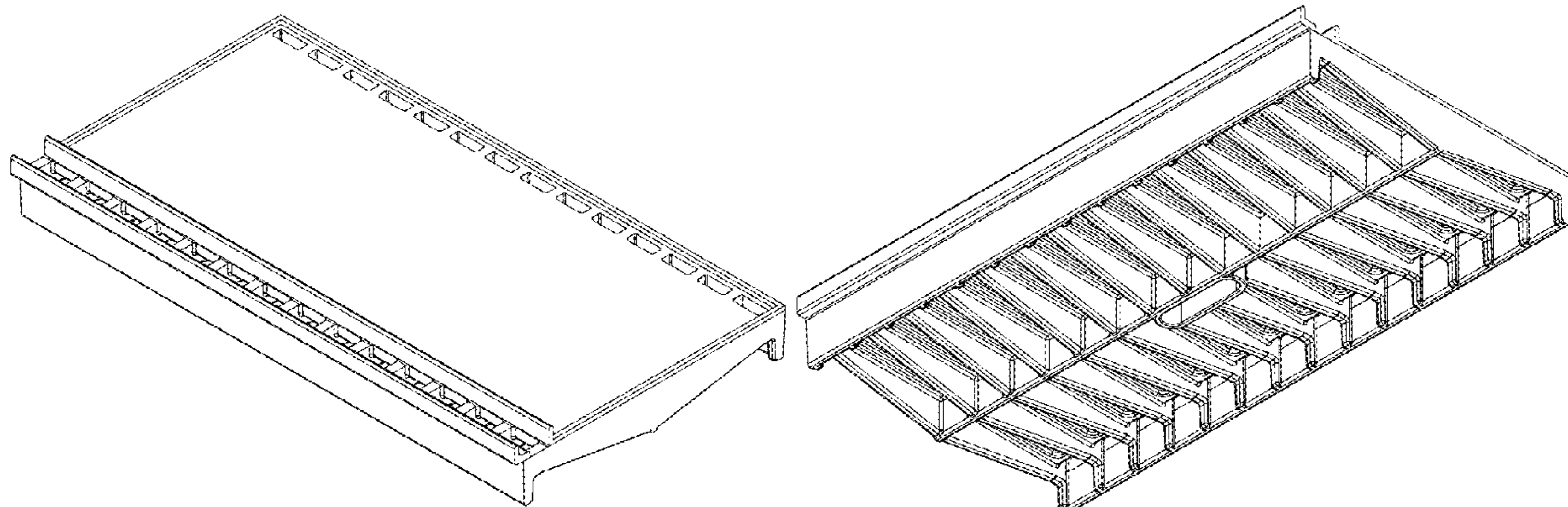
(57) **CLAIM**

The ornamental design for a drain grate, as shown and described.

DESCRIPTION

FIG. 1 is a top perspective view of the drain grate according to the present invention;
FIG. 2 is a bottom perspective view of the drain grate of FIG. 1;
FIG. 3 is a top view of the drain grate of FIG. 1;
FIG. 4 is a bottom view of the drain grate of FIG. 1;
FIG. 5 is a front view of the drain grate of FIG. 1; and,
FIG. 6 is a left side view of the drain grate of FIG. 1, where the right side view (not shown) is a mirror of the left side view.

1 Claim, 2 Drawing Sheets



(56)

References Cited

U.S. PATENT DOCUMENTS

2018/0038091 A1* 2/2018 Ismert E03F 5/0401
2019/0032323 A1* 1/2019 Priester E03F 5/0407

* cited by examiner

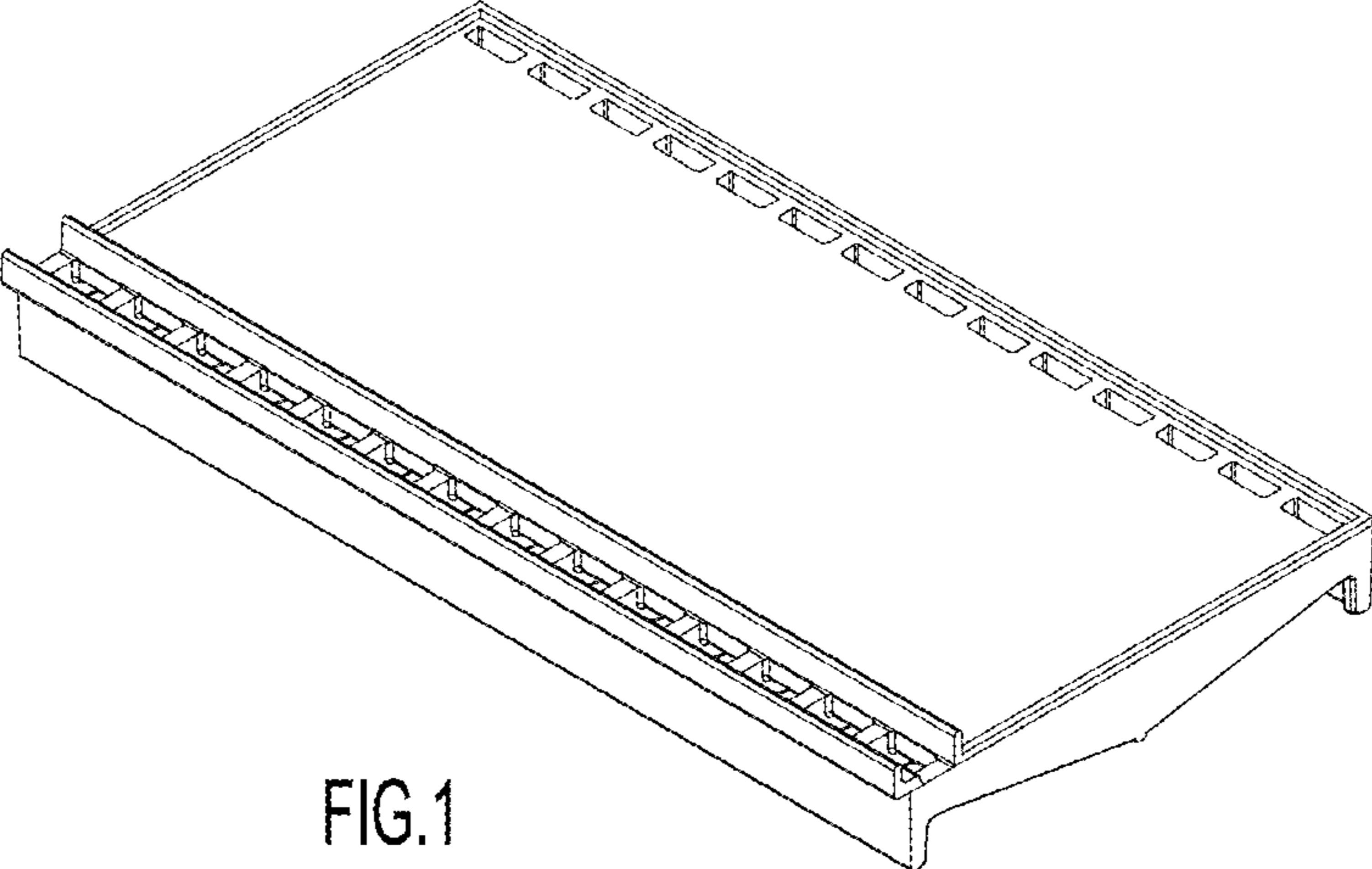


FIG.1

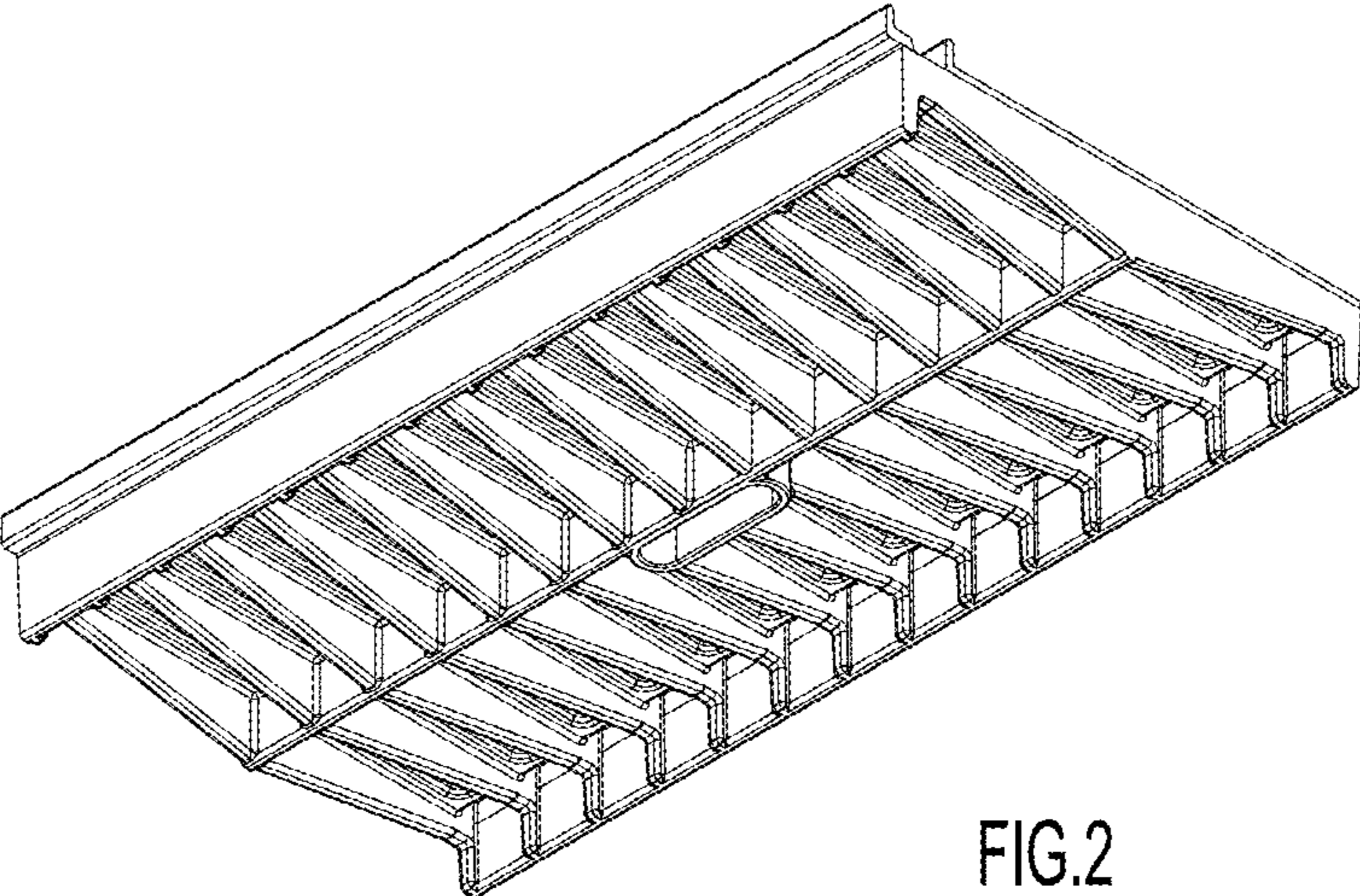


FIG.2

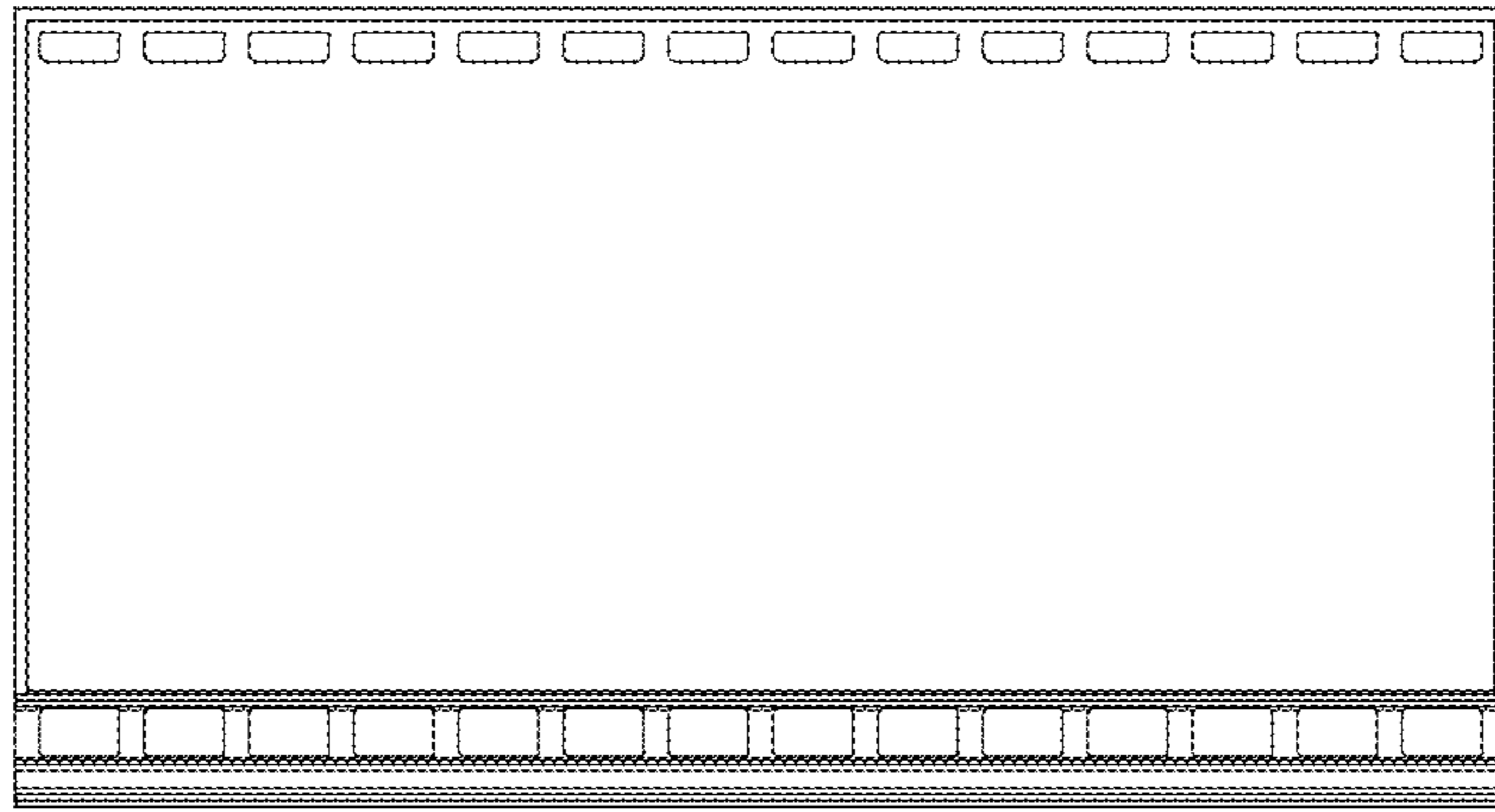


FIG.3

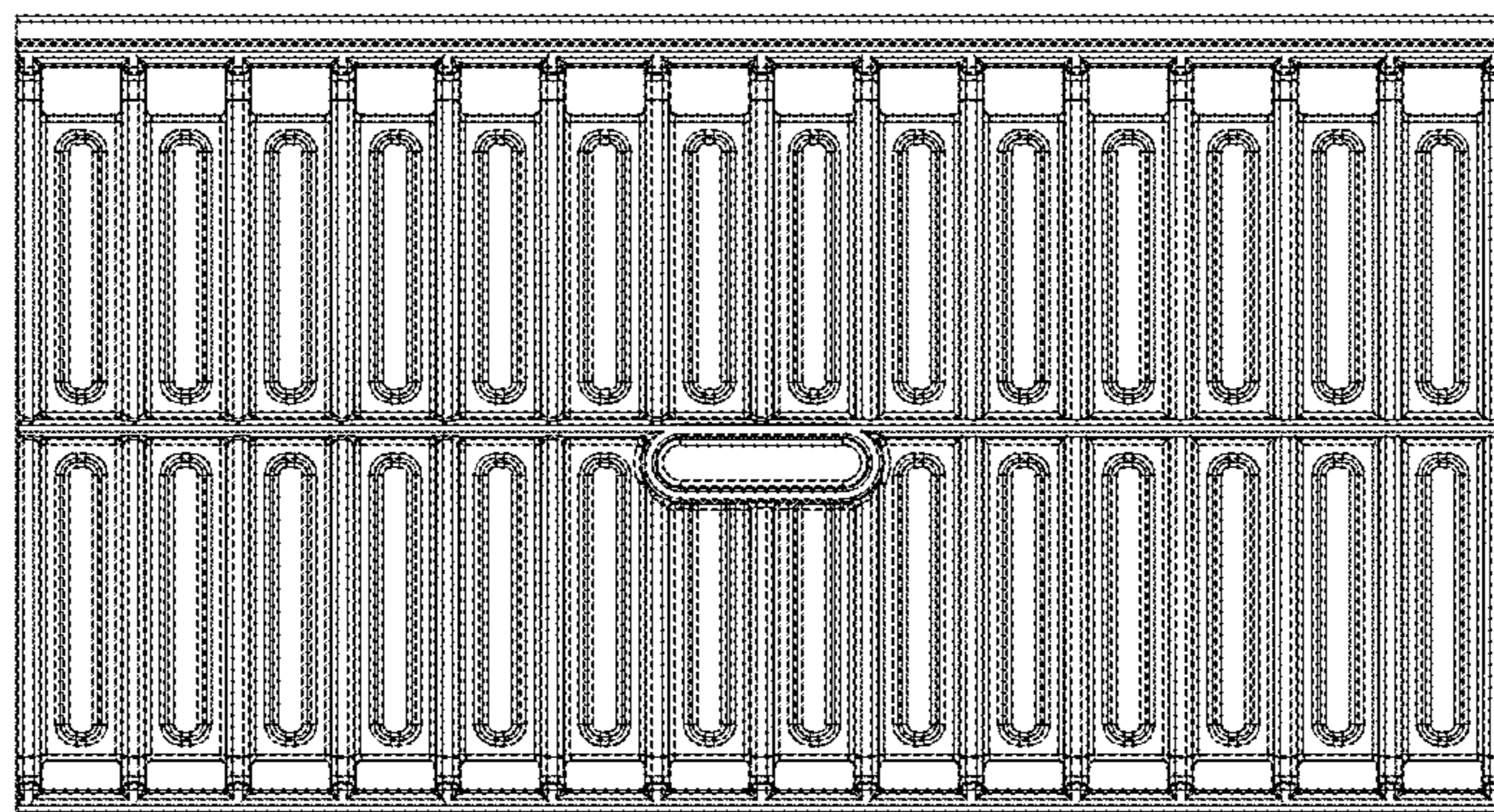


FIG.4

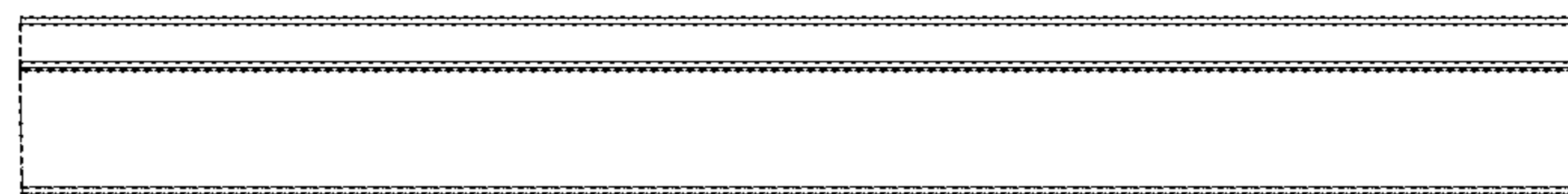


FIG.5

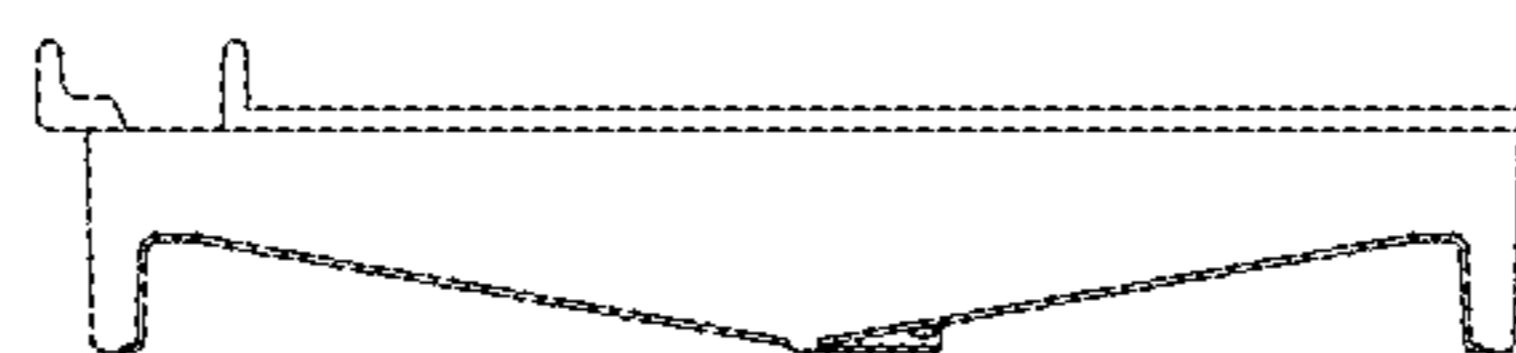


FIG.6