



US00D941963S

(12) **United States Design Patent**  
**Abel**

(10) **Patent No.:** **US D941,963 S**  
(45) **Date of Patent:** **\*\* Jan. 25, 2022**

- (54) **FAUCET**
- (71) Applicant: **Watermark Designs, LLC**, Brooklyn, NY (US)
- (72) Inventor: **Avi Abel**, Brooklyn, NY (US)
- (73) Assignee: **WATERMARK DESIGNS, LLC**, Brooklyn, NY (US)
- (\*\*) Term: **15 Years**
- (21) Appl. No.: **29/720,088**
- (22) Filed: **Jan. 9, 2020**
- (51) **LOC (13) Cl.** ..... **23-01**
- (52) **U.S. Cl.**  
USPC ..... **D23/242**
- (58) **Field of Classification Search**  
USPC ..... D23/238-244, 252, 254-255, 257;  
D8/307-308  
CPC .... F16K 31/602; F16K 31/605; F16K 31/607;  
E03C 1/0412  
See application file for complete search history.

- D862,655 S \* 10/2019 Garland ..... D23/242
  - D865,125 S \* 10/2019 Zeng ..... D23/242
  - D867,543 S \* 11/2019 Garland ..... D23/242
  - D869,613 S \* 12/2019 Garland ..... D23/242
- (Continued)

**FOREIGN PATENT DOCUMENTS**

WO D071276-001 \* 1/2009

**OTHER PUBLICATIONS**

Watermark 71-8-LLP5 Deck Mounted 3 Hole Bath Set, specification sheet in pdf format, Sep. 11, 2019, [retrieved Mar. 25, 2021]. Retrieved from internet, <https://watermark-designs.com/product/71-8-llp5>.\*

(Continued)

*Primary Examiner* — Barbara Fox  
*Assistant Examiner* — Jamaal Rasheed  
(74) *Attorney, Agent, or Firm* — Schultz & Associates, P.C.

(57) **CLAIM**

The ornamental design for a faucet, as shown and described.

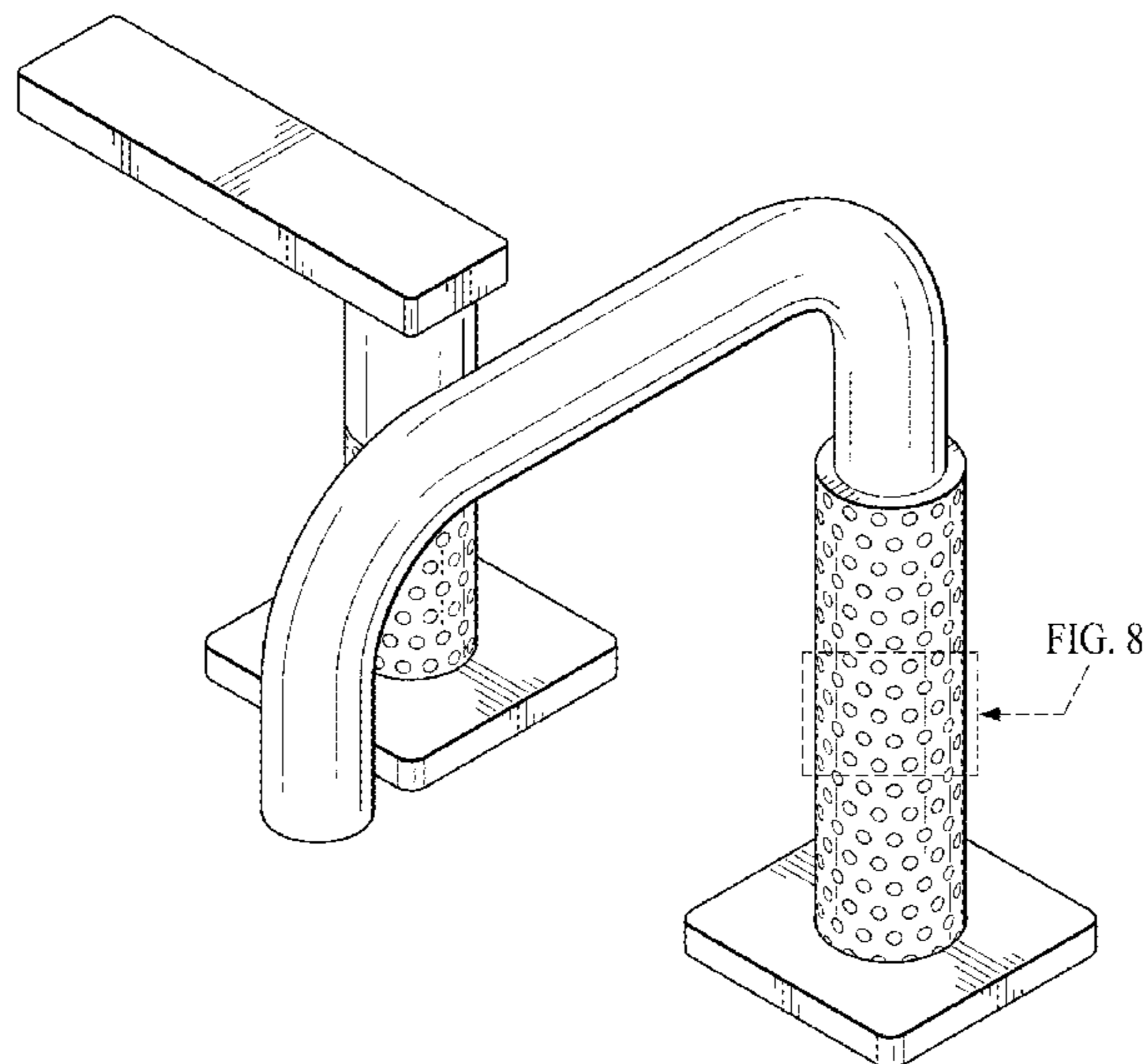
**DESCRIPTION**

FIG. 1 is a front perspective view of a faucet, showing my new design;  
FIG. 2 is a front elevation view thereof;  
FIG. 3 is a rear elevation view thereof;  
FIG. 4 is a right side elevation view thereof;  
FIG. 5 is a left side elevation view thereof;  
FIG. 6 is a top plan view thereof; and,  
FIG. 7 is a bottom plan view thereof.  
FIG. 8 is a detail view of a faucet section of FIG. 1; and,  
FIG. 9 is a detail view of a faucet section of FIG. 2.  
The broken lines shown in the figures depict portions of the faucet that form no part of the claimed design.

**1 Claim, 7 Drawing Sheets**

(56) **References Cited**  
**U.S. PATENT DOCUMENTS**

- D469,507 S \* 1/2003 Marshall ..... D23/242
- D469,508 S \* 1/2003 Marshall ..... D23/242
- D469,509 S \* 1/2003 Marshall ..... D23/242
- D469,510 S \* 1/2003 Marshall ..... D23/242
- D479,740 S \* 9/2003 Citterio ..... D23/242
- D624,991 S \* 10/2010 Kulig ..... D23/242
- D655,786 S \* 3/2012 Fukasawa ..... D23/242
- D667,935 S \* 9/2012 Liao ..... D23/242
- D680,626 S \* 4/2013 Kwok ..... D23/242
- D712,515 S \* 9/2014 Citterio ..... D23/242
- D734,837 S \* 7/2015 Sieger ..... D23/242
- D809,105 S \* 1/2018 Cheng ..... D23/242
- D823,439 S \* 7/2018 Sieger ..... D23/242
- D848,574 S \* 5/2019 Garland ..... D23/242
- D856,487 S \* 8/2019 Spangler ..... D23/242
- D859,592 S \* 9/2019 Seum ..... D23/242



(56)

**References Cited**

U.S. PATENT DOCUMENTS

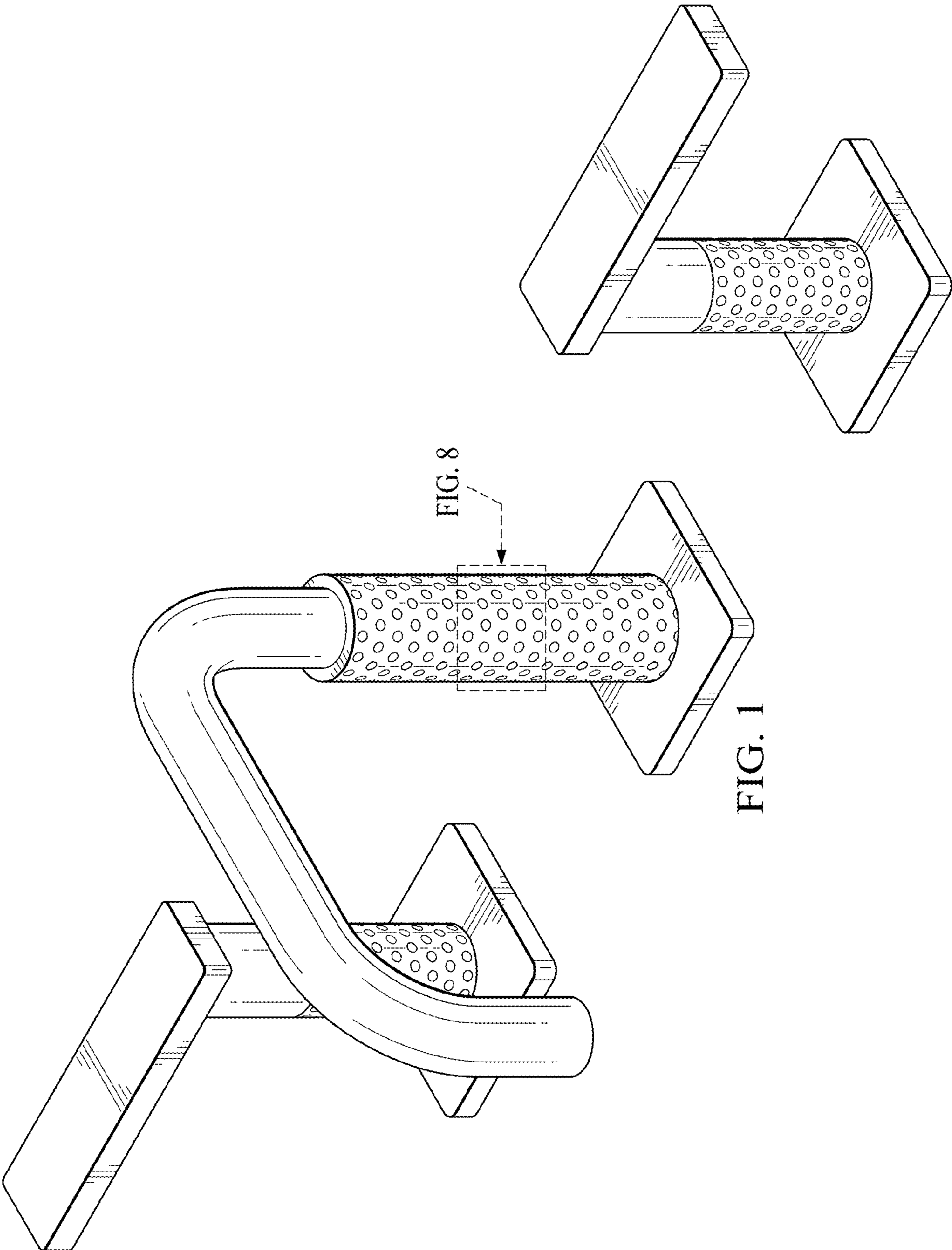
D883,443 S \* 5/2020 Kuang ..... D23/242  
D890,306 S \* 7/2020 Potter ..... D23/242  
2014/0048145 A1\* 2/2014 Chong ..... E03C 1/0404  
137/15.01

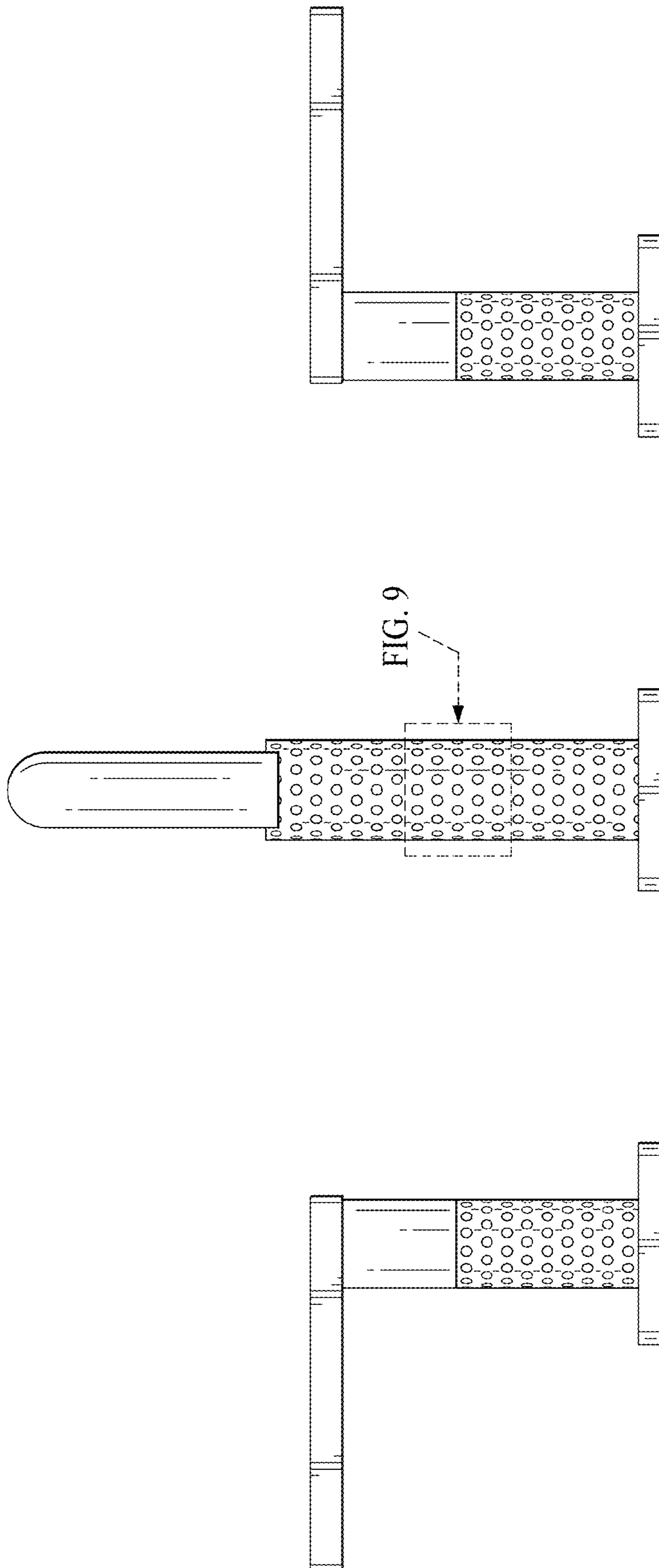
OTHER PUBLICATIONS

TimeArrow TAF830E-PB 2 Handle 8 inch Widespread Bathroom Sink Faucet, Date First Available Aug. 1, 2019[online], [site visited Mar. 19, 2021]. Available from internet, URL:<<https://www.amazon.com/TimeArrow-TAF830E-PB-Widespread-Bathroom-Brushed/dp/B07TWN87HQ>> (Year: 2019).\*

PARLOS Two-Handle Widespread Bathroom Faucet, Date First Available Jan. 5, 2018[online], [site visited Mar. 19, 2021]. Available from internet, URL:<<https://www.amazon.com/Two-Handle-Widespread-Bathroom-Assembly-Brushed/dp/B078V22DLQ>> (Year: 2018).\*

\* cited by examiner





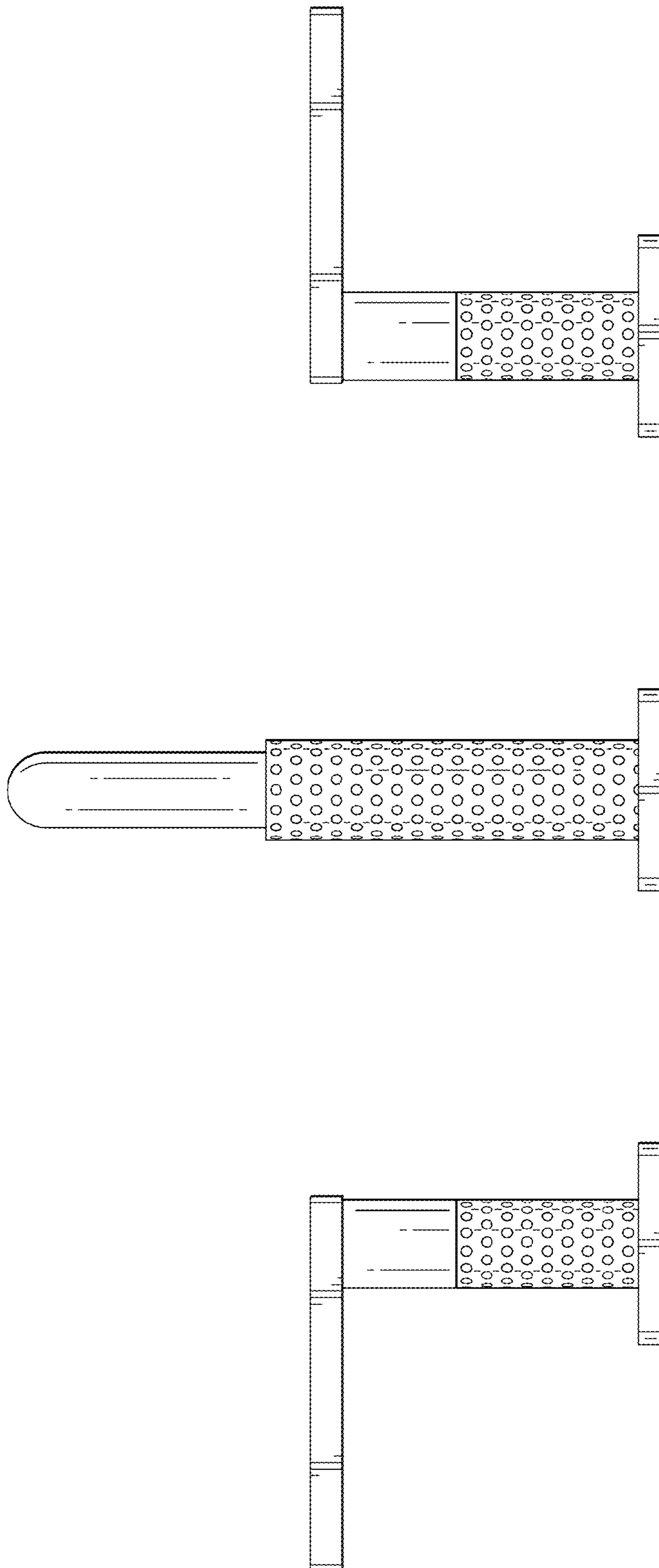


FIG. 3

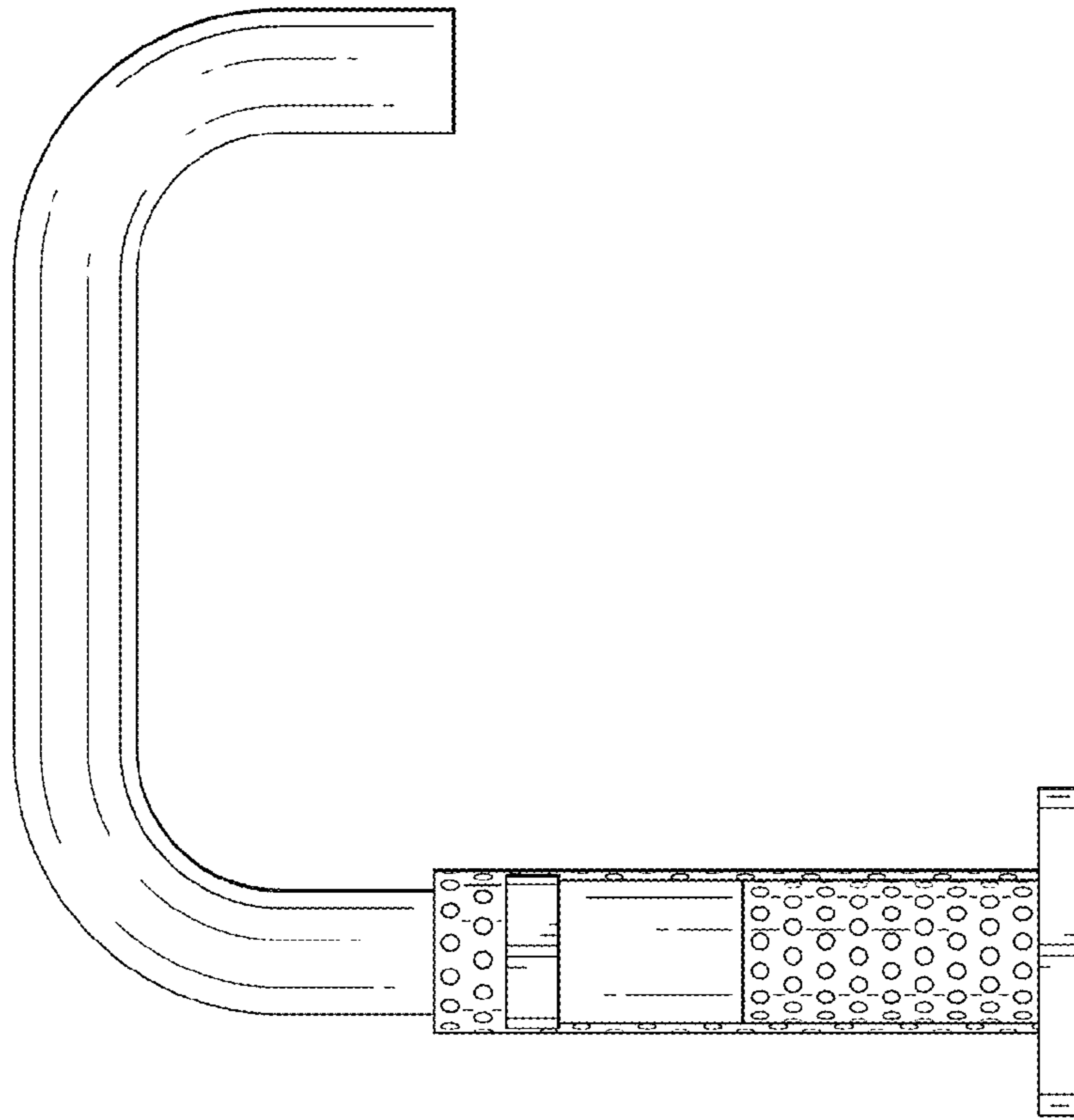


FIG. 5

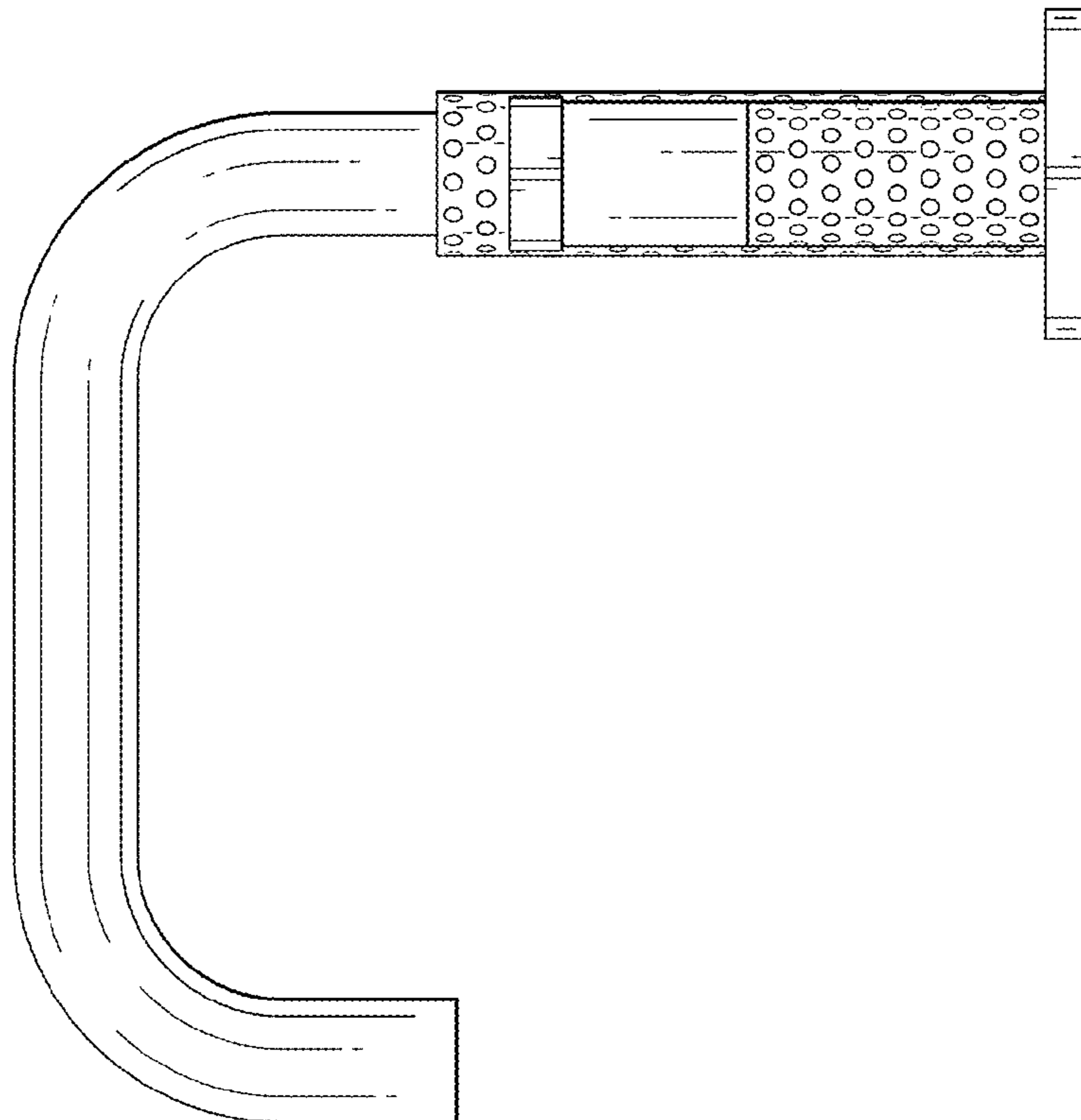


FIG. 4

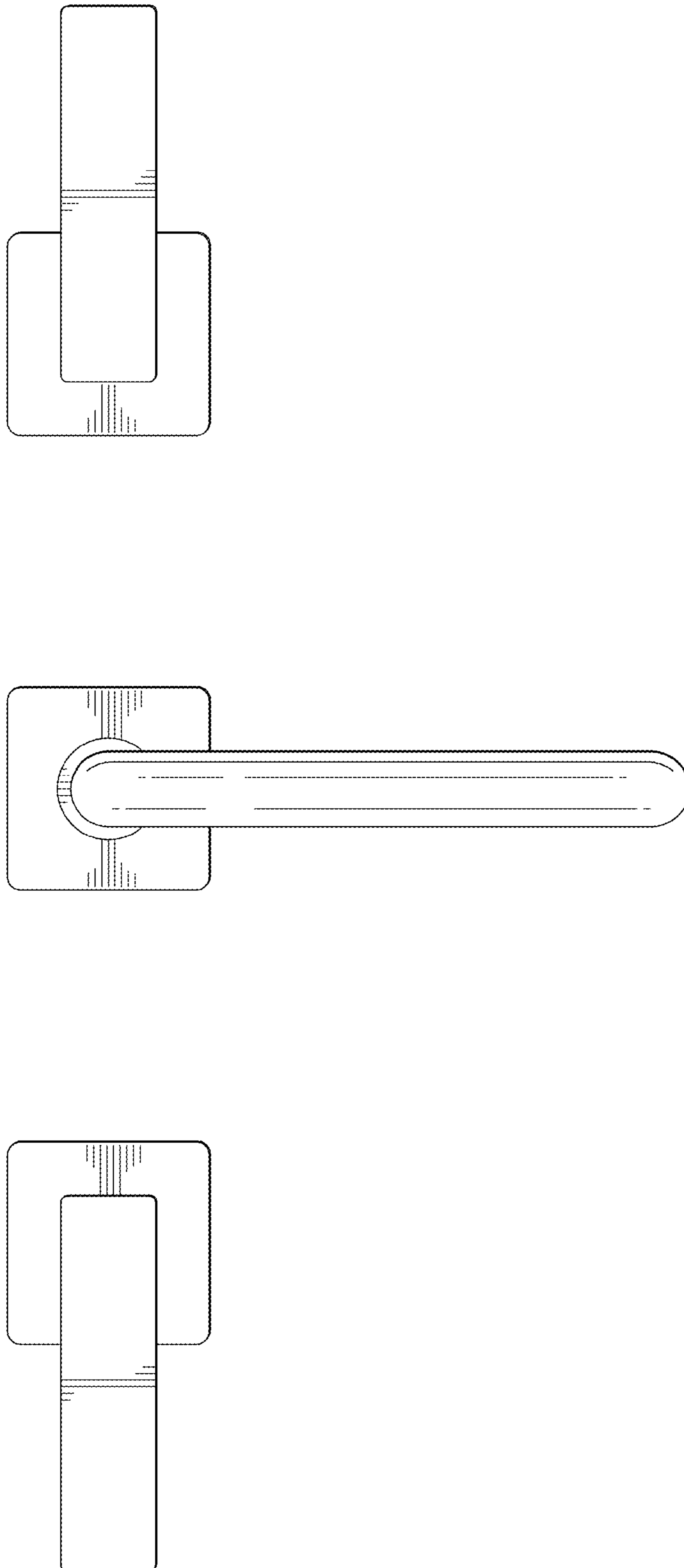


FIG. 6

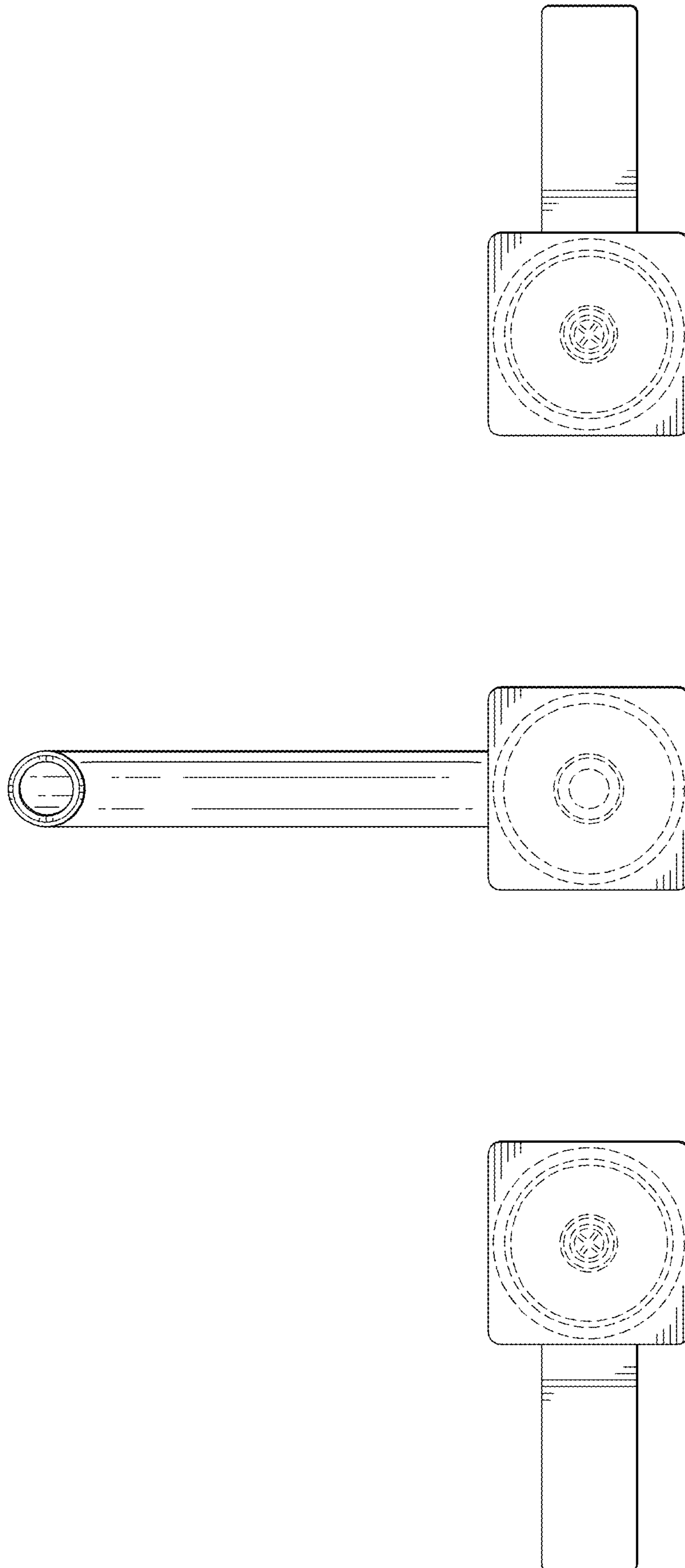


FIG. 7



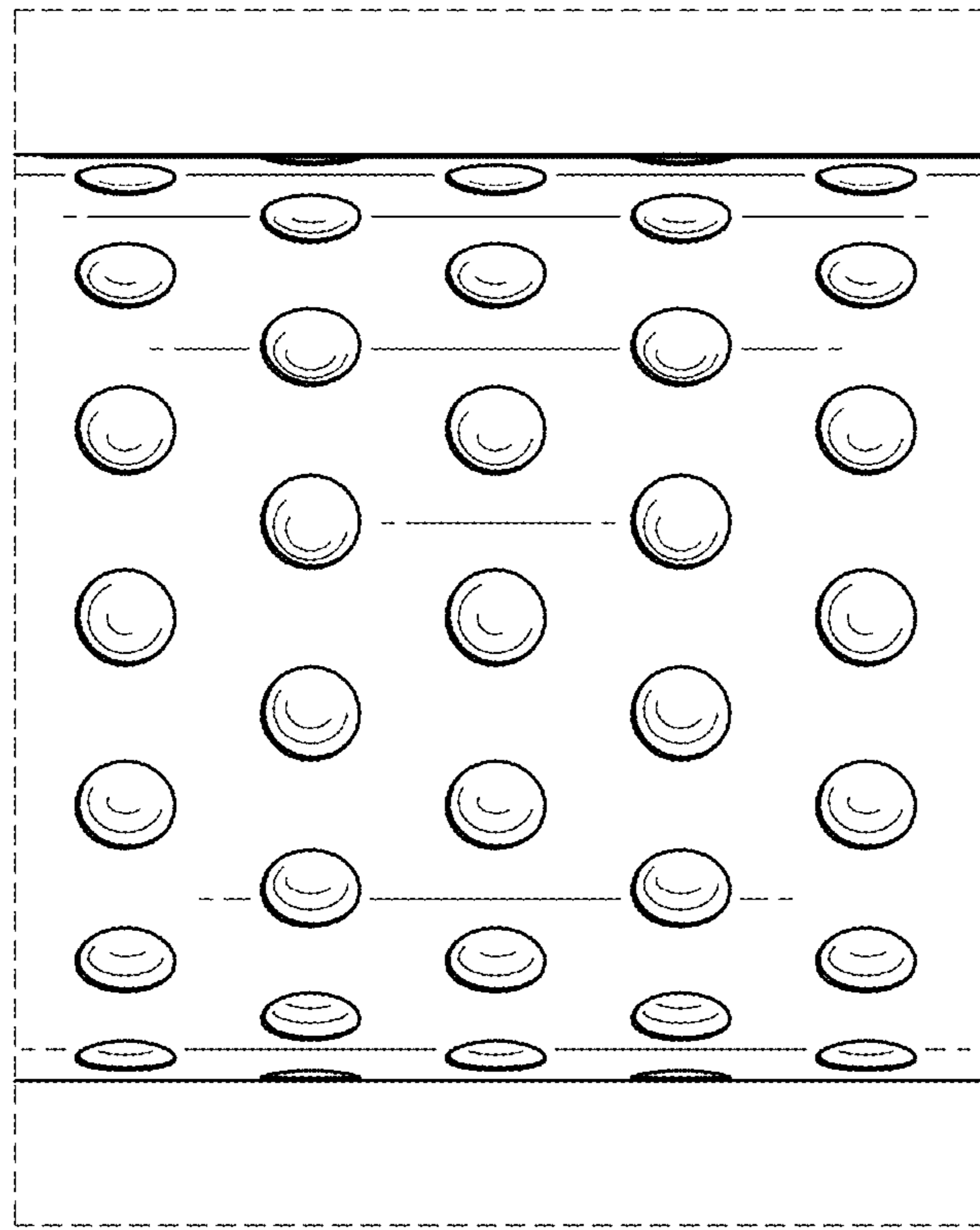


FIG. 9

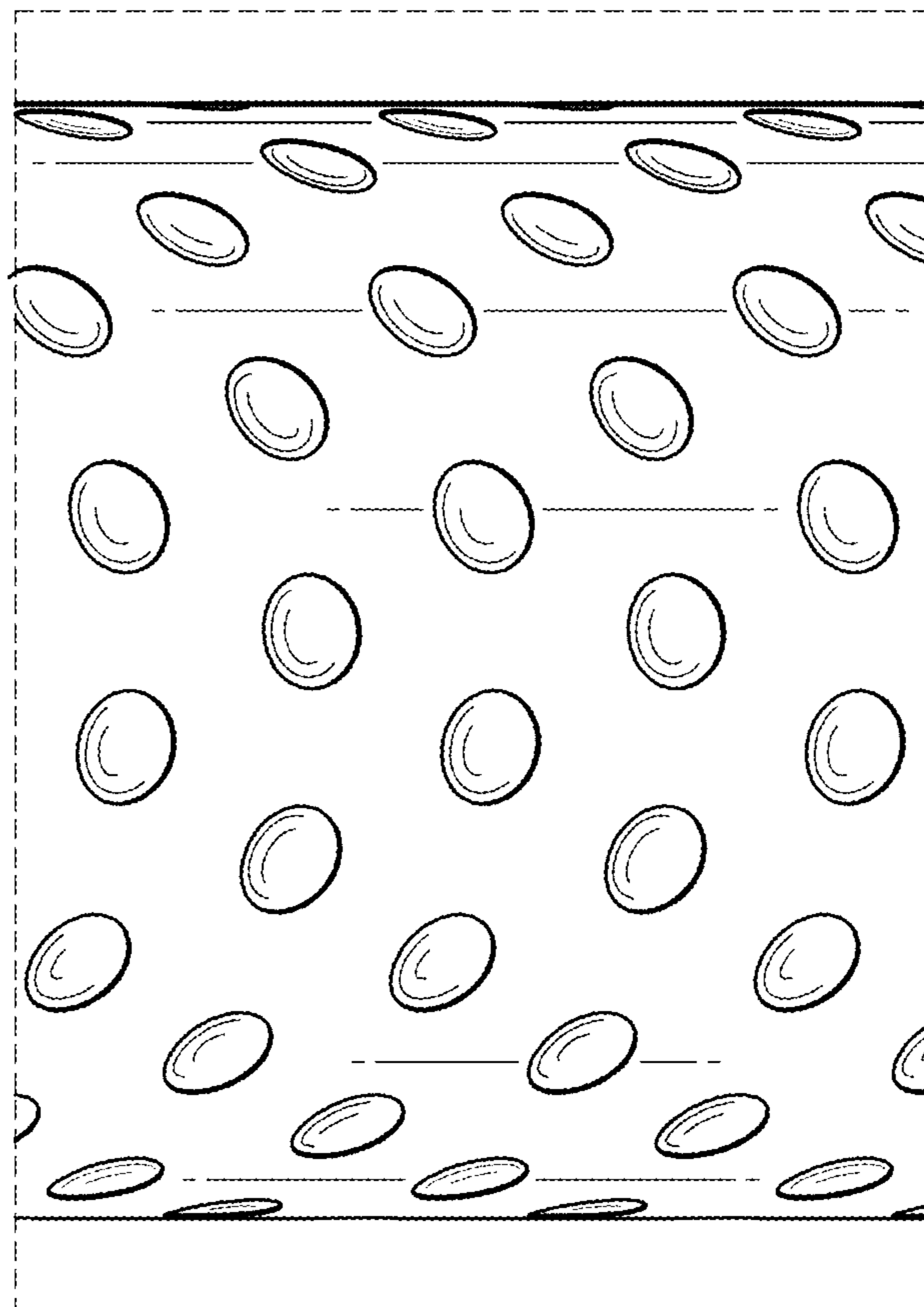


FIG. 8