

US00D941962S

(12) **United States Design Patent**
Abel

(10) **Patent No.:** **US D941,962 S**
(45) **Date of Patent:** **** Jan. 25, 2022**

(54) **FAUCET**

(71) Applicant: **Watermark Designs, LLC**, Brooklyn, NY (US)

(72) Inventor: **Avi Abel**, Brooklyn, NY (US)

(73) Assignee: **WATERMARK DESIGNS, LLC**, Brooklyn, NY (US)

(**) Term: **15 Years**

(21) Appl. No.: **29/720,084**

(22) Filed: **Jan. 9, 2020**

(51) **LOC (13) Cl.** **23-01**

(52) **U.S. Cl.**
USPC **D23/242**

(58) **Field of Classification Search**
USPC D23/238-244, 252, 254-255, 257;
D8/307-308
CPC F16K 31/602; F16K 31/605; F16K 31/607;
E03C 1/0412
See application file for complete search history.

(56) **References Cited**

U.S. PATENT DOCUMENTS

D469,507 S *	1/2003	Marshall	D23/242
D469,508 S *	1/2003	Marshall	D23/242
D469,509 S *	1/2003	Marshall	D23/242
D469,510 S *	1/2003	Marshall	D23/242
D479,740 S *	9/2003	Citterio	D23/242
D624,991 S *	10/2010	Kulig	D23/242
D655,786 S *	3/2012	Fukasawa	D23/242
D667,935 S *	9/2012	Liao	D23/242
D680,626 S *	4/2013	Kwok	D23/242
D712,515 S *	9/2014	Citterio	D23/242
D734,837 S *	7/2015	Sieger	D23/242
D809,105 S *	1/2018	Cheng	D23/242
D823,439 S *	7/2018	Sieger	D23/242
D848,574 S *	5/2019	Garland	D23/242
D856,487 S *	8/2019	Spangler	D23/242

D859,592 S *	9/2019	Seum	D23/242
D862,655 S *	10/2019	Garland	D23/242
D865,125 S *	10/2019	Zeng	D23/242
D867,543 S *	11/2019	Garland	D23/242
D869,613 S *	12/2019	Garland	D23/242
D883,443 S *	5/2020	Kuang	D23/242

(Continued)

FOREIGN PATENT DOCUMENTS

WO D071276-001 * 1/2009

OTHER PUBLICATIONS

Watermark 71-8-LLD4 Deck Mounted 3 Hole Bath Set, specification sheet in pdf format, Sep. 11, 2019, [retrieved Mar. 25, 2021]. Retrieved from internet, <https://watermark-designs.com/product/71-8-lld4>.*

(Continued)

Primary Examiner — Barbara Fox

Assistant Examiner — Jamaal Rasheed

(74) *Attorney, Agent, or Firm* — Schultz & Associates, P.C.

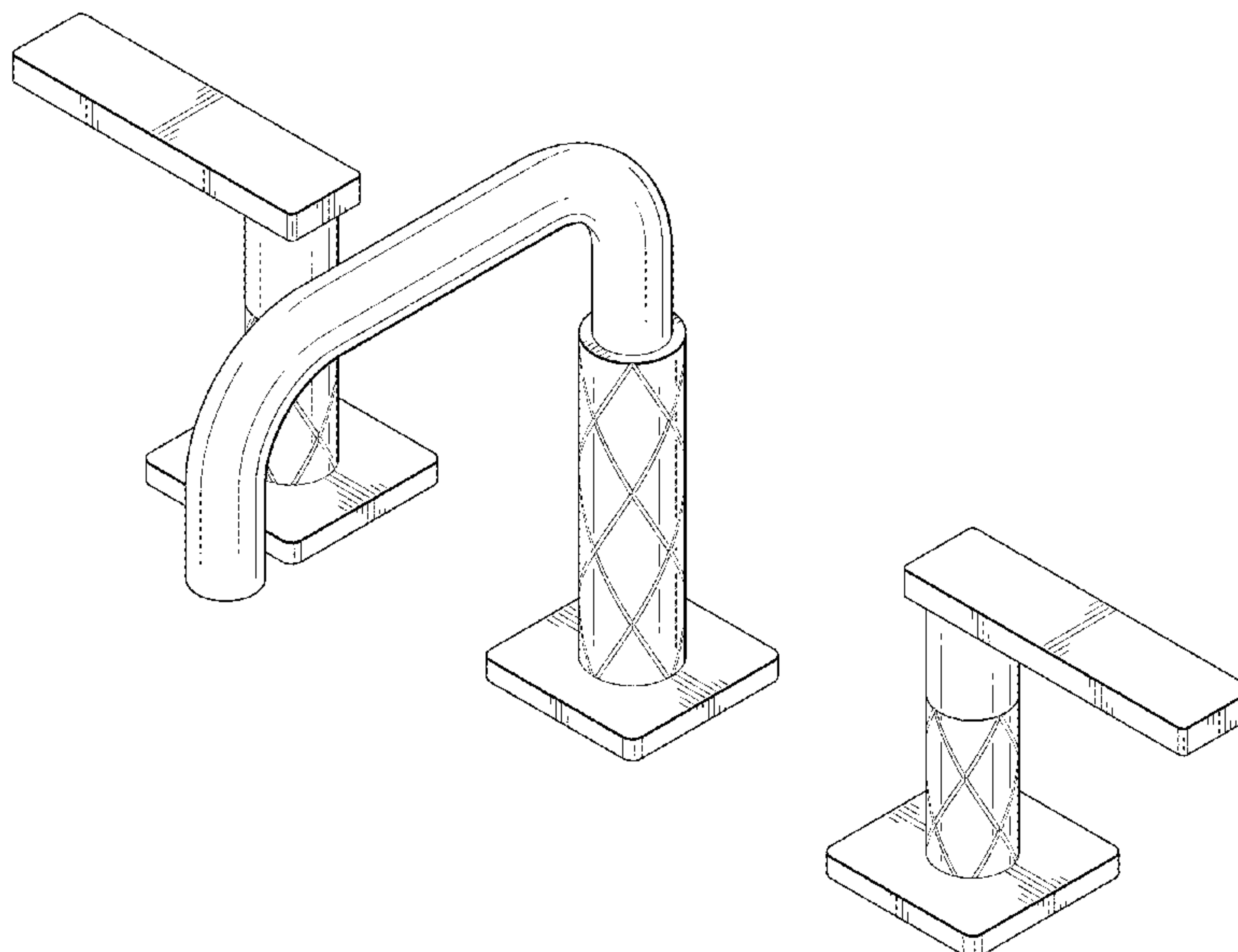
(57) **CLAIM**

The ornamental design for a faucet, as shown and described.

DESCRIPTION

FIG. 1 is a front perspective view of a faucet, showing my new design;
FIG. 2 is a front elevation view thereof;
FIG. 3 is a rear elevation view thereof;
FIG. 4 is a right side elevation view thereof;
FIG. 5 is a left side elevation view thereof;
FIG. 6 is a top plan view thereof; and,
FIG. 7 is a bottom plan view thereof.
The broken lines shown in the figures depict portions of the faucet that form no part of the claimed design.

1 Claim, 6 Drawing Sheets



(56)

References Cited

U.S. PATENT DOCUMENTS

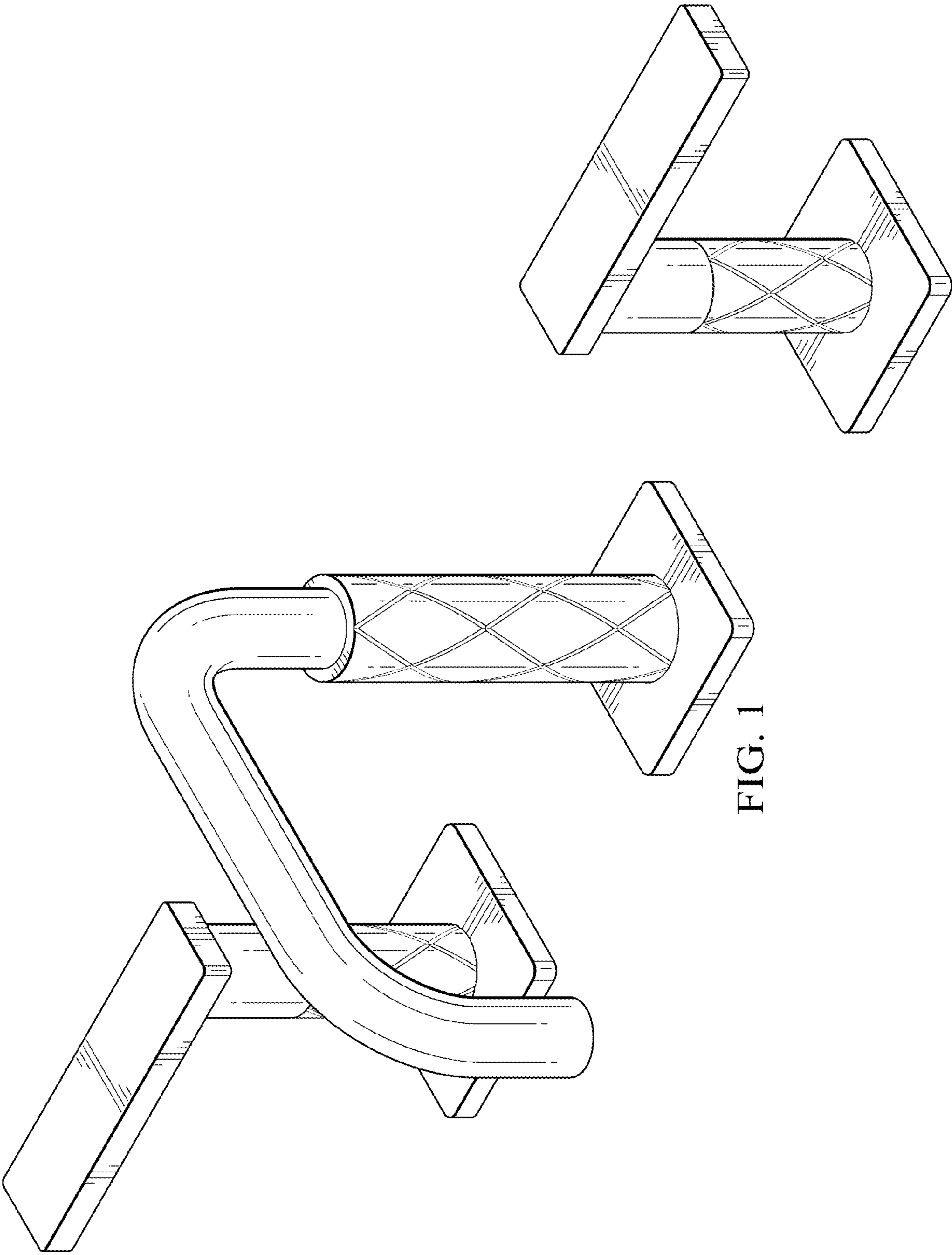
D890,306 S * 7/2020 Potter D23/242
2014/0048145 A1 * 2/2014 Chong E03C 1/0404
137/15.01

OTHER PUBLICATIONS

TimeArrow TAF830E-PB 2 Handle 8 inch Widespread Bathroom Sink Faucet, Date First Available Aug. 1, 2019[online], [site visited Mar. 19, 2021]. Available from internet, URL:<<https://www.amazon.com/TimeArrow-TAF830E-PB-Widespread-Bathroom-Brushed/dp/B07TWN87HQ>> (Year: 2019).*

PARLOS Two-Handle Widespread Bathroom Faucet, Date First Available Jan. 5, 2018[online], [site visited Mar. 19, 2021]. Available from internet, URL:<<https://www.amazon.com/Two-Handle-Widespread-Bathroom-Assembly-Brushed/dp/B078V22DLQ>> (Year: 2018).*

* cited by examiner



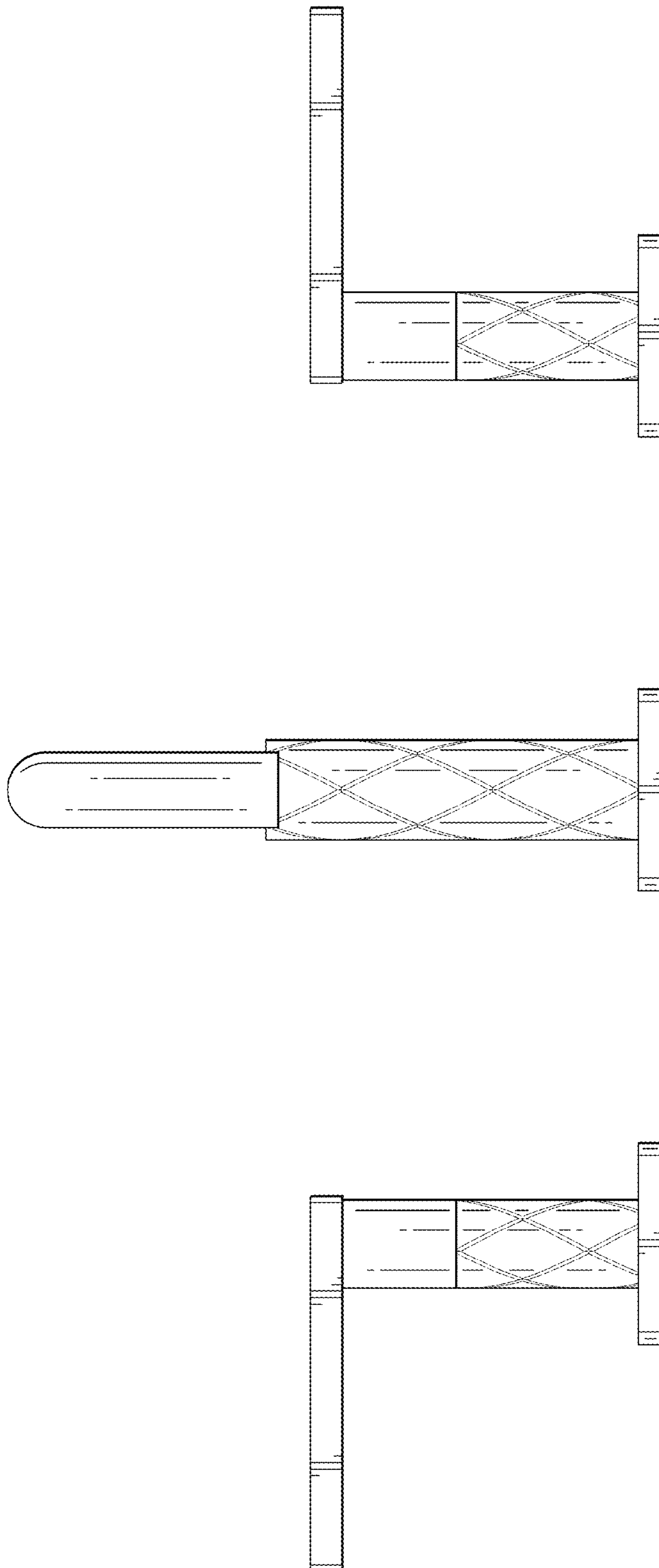


FIG. 2

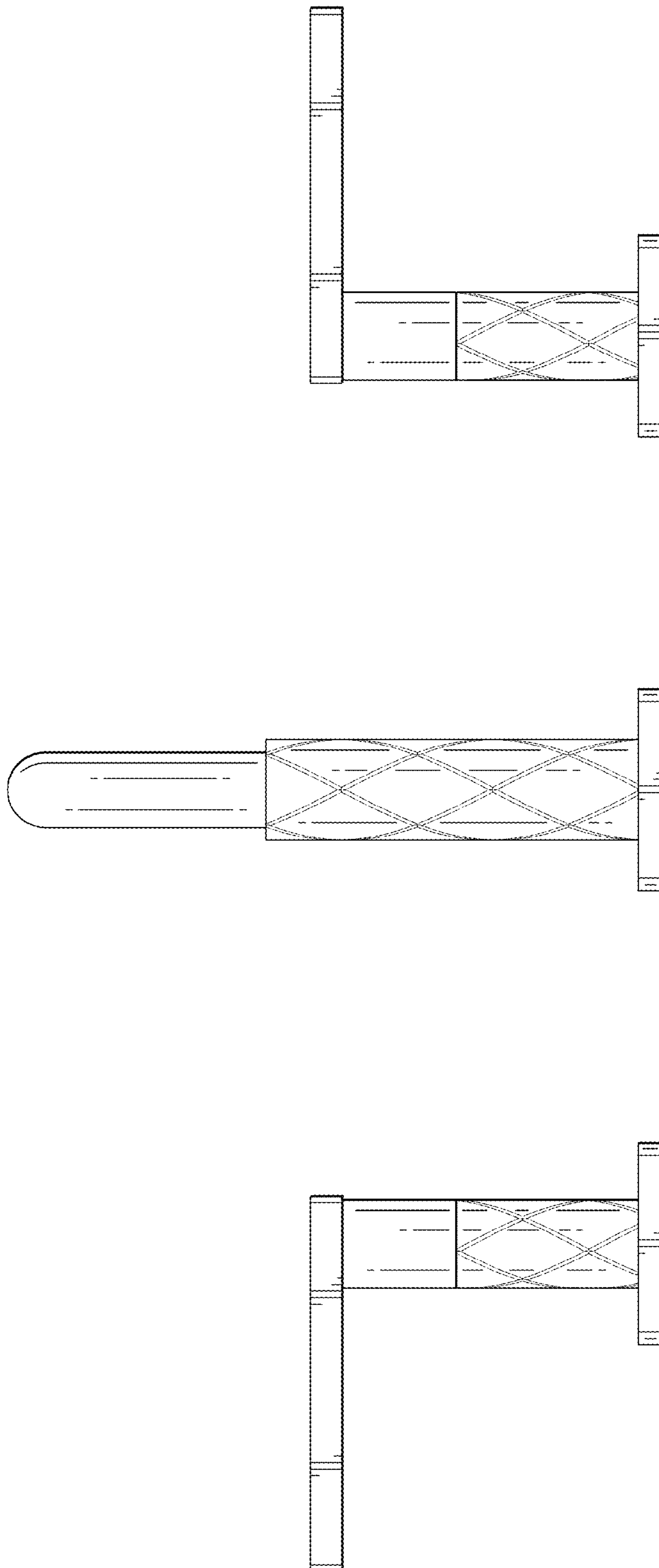


FIG. 3

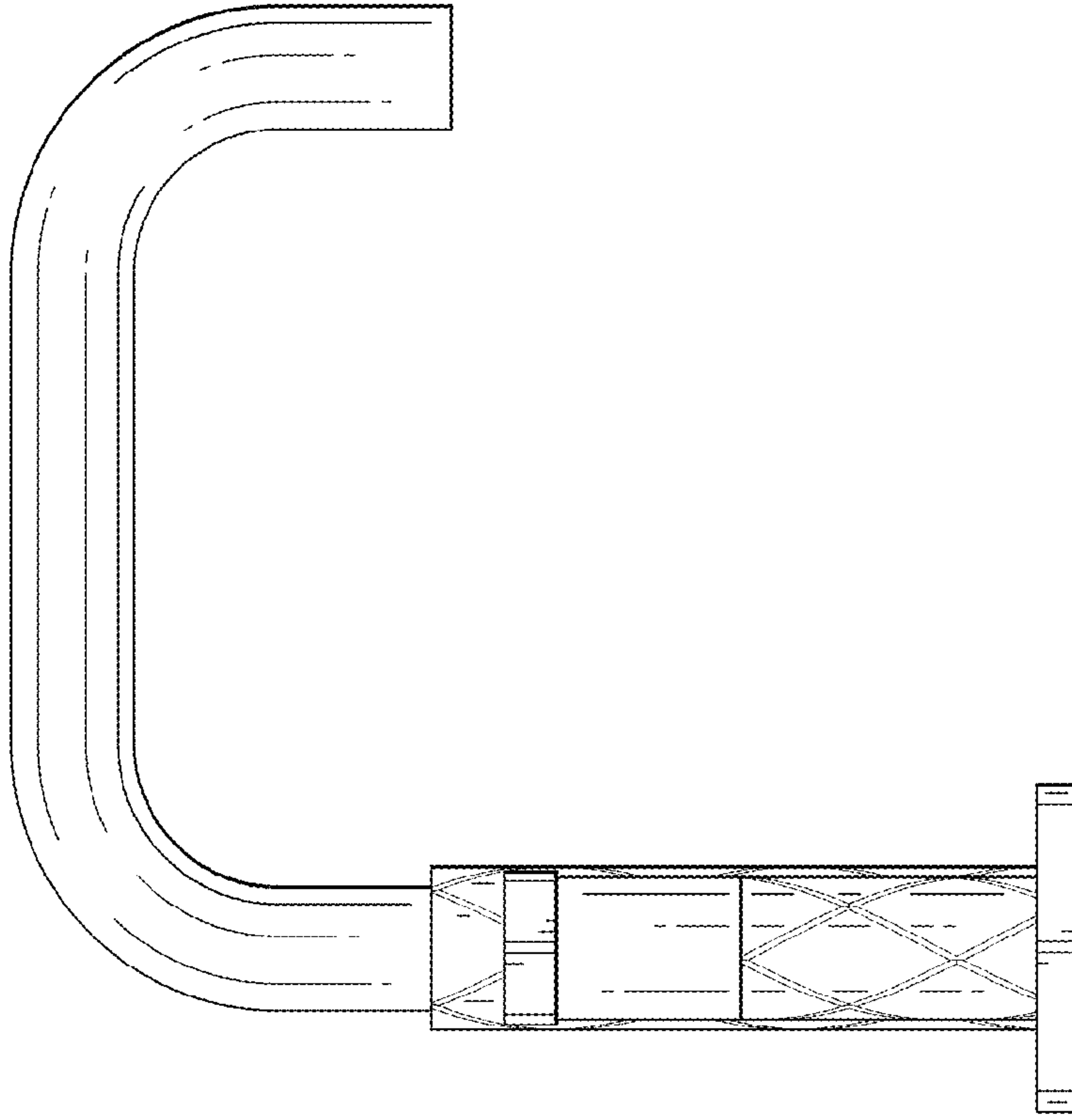


FIG. 5

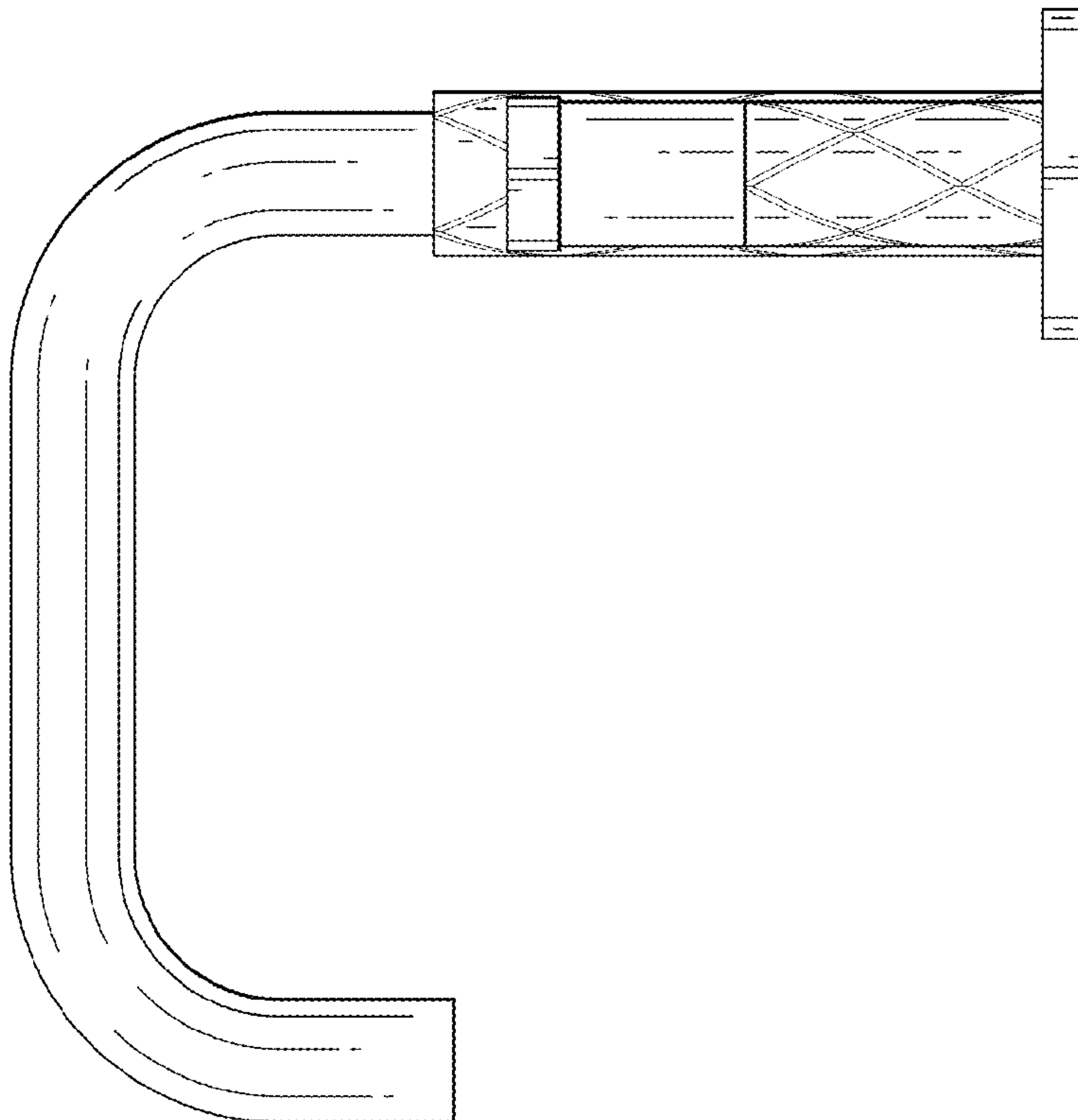


FIG. 4

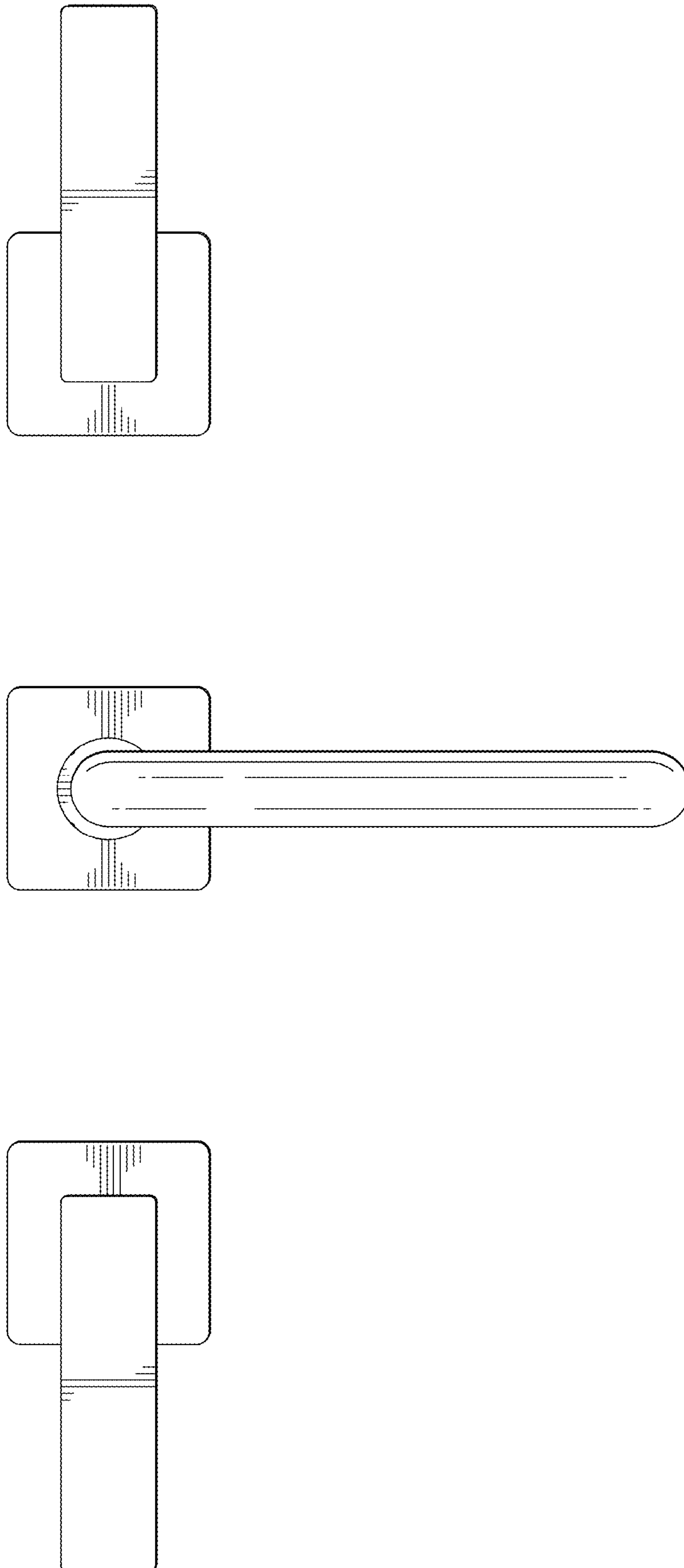


FIG. 6

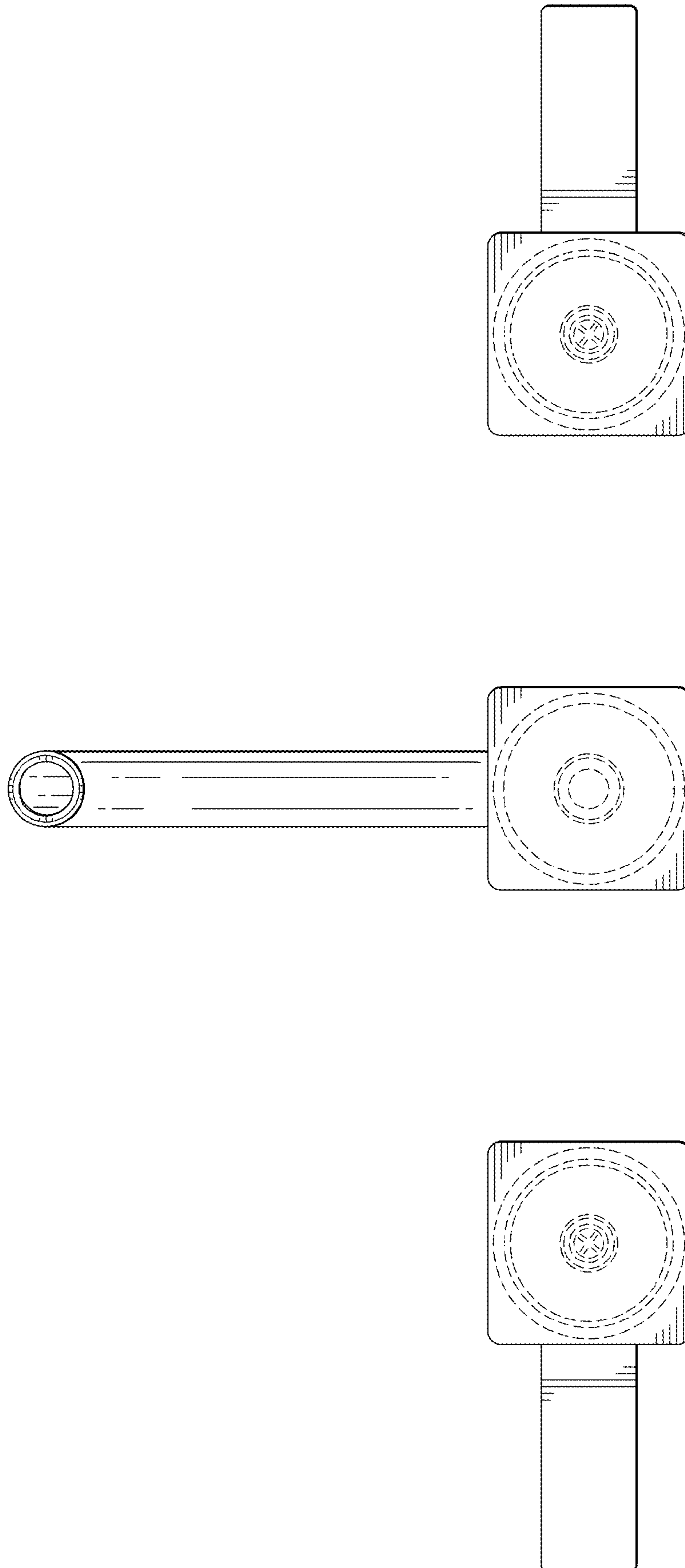


FIG. 7