



US00D941959S

(12) **United States Design Patent** (10) **Patent No.:** **US D941,959 S**
Fritz (45) **Date of Patent:** **** Jan. 25, 2022**

- (54) **FAUCET**
- (71) Applicant: **DELTA FAUCET COMPANY**,
Indianapolis, IN (US)
- (72) Inventor: **Seth Fritz**, Carmel, IN (US)
- (73) Assignee: **DELTA FAUCET COMPANY**,
Indianapolis, IN (US)
- (**) Term: **15 Years**
- (21) Appl. No.: **29/803,731**
- (22) Filed: **Aug. 16, 2021**

Related U.S. Application Data

- (63) Continuation of application No. 29/735,146, filed on May 19, 2020, now Pat. No. Des. 930,792.
- (51) **LOC (13) Cl.** **23-01**
- (52) **U.S. Cl.**
USPC **D23/238**
- (58) **Field of Classification Search**
USPC D23/238-244, 252, 254-255, 257
CPC F16K 31/602; F16K 31/605; F16K 31/607;
E03C 1/0412
See application file for complete search history.

(56) **References Cited**

U.S. PATENT DOCUMENTS

- D686,300 S * 7/2013 Fritz D23/238
- D786,405 S * 5/2017 Schaubach D23/238
- D822,170 S * 7/2018 Haug D23/238
- D835,236 S * 12/2018 Ziemann D23/238
- D835,237 S * 12/2018 Ziemann D23/238
- D847,951 S * 5/2019 Zhang D23/238
- D867,532 S * 11/2019 Liao D23/238
- D870,851 S * 12/2019 Tentler D23/238
- D870,852 S * 12/2019 Eads D23/238
- D871,545 S * 12/2019 Wang D23/238
- D871,547 S * 12/2019 Eads D23/238
- D872,234 S * 1/2020 Stoler D23/238

- D872,235 S * 1/2020 Garland D23/238
- D873,379 S * 1/2020 Fritz D23/238
- D873,380 S * 1/2020 Judge D23/238
- D873,960 S * 1/2020 Fritz D23/238
- D874,613 S * 2/2020 Park D23/238

(Continued)

FOREIGN PATENT DOCUMENTS

- CN 304222739 * 8/2016
- CN 304817718 * 8/2018

OTHER PUBLICATIONS

Moen Brantford Motionsense Wave Touchless One-Handle Pulldown Kitchen Faucet, announced Dec. 1, 2018[online], [site visited May 4, 2021]. Available from internet, URL:<<https://www.amazon.com/Moen-Brantford-Motionsense-One-Handle-7185EWC/dp/B07MHJX584>> (Year: 2018).*

Primary Examiner — Barbara Fox

Assistant Examiner — Jamaal Rasheed

(74) *Attorney, Agent, or Firm* — Nirav D. Parikh; Edgar A. Zarins

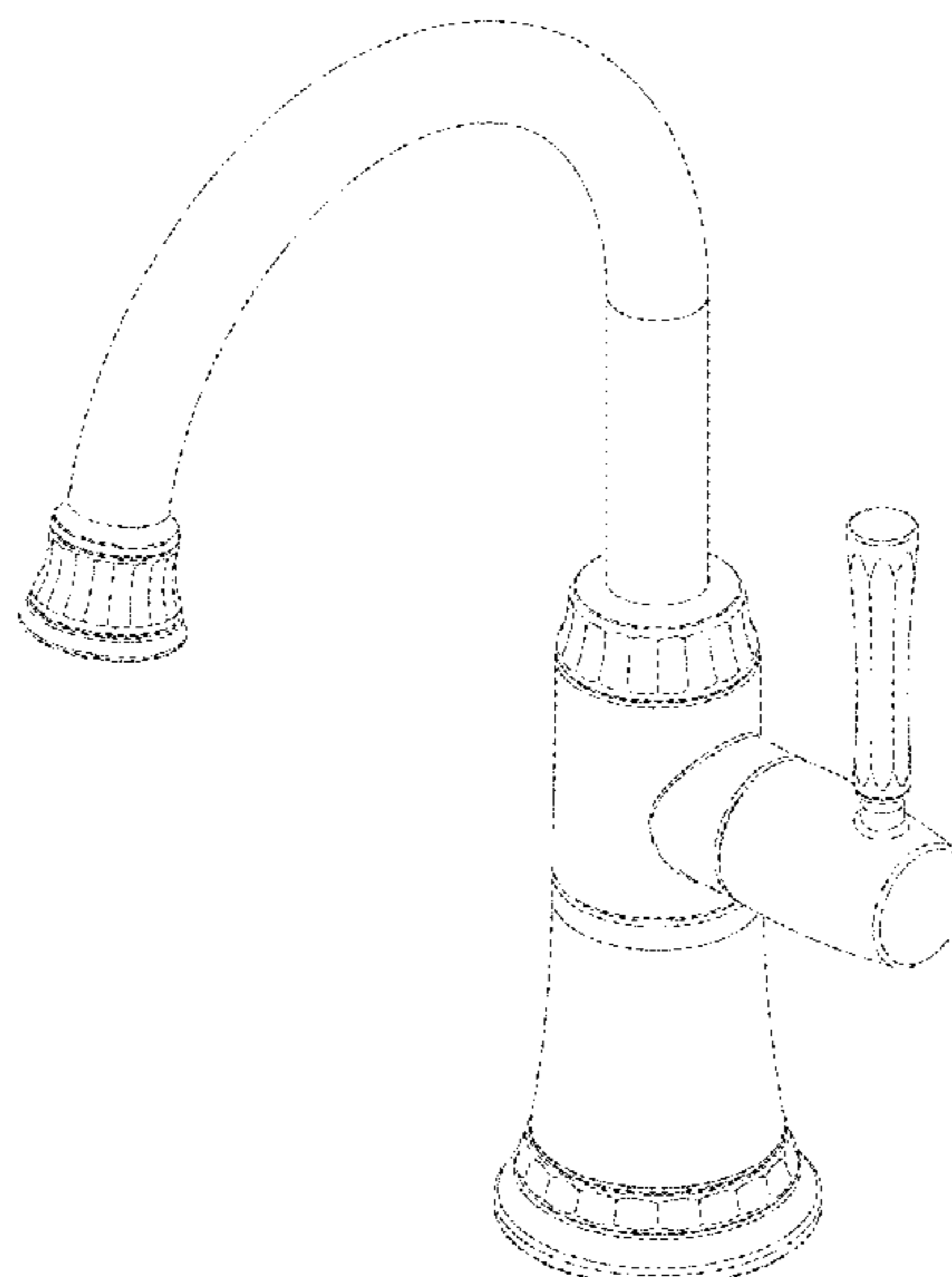
(57) **CLAIM**

The ornamental design for a faucet, as shown and described.

DESCRIPTION

FIG. 1 is a front perspective view of a faucet showing my new design;
FIG. 2 is another front perspective view thereof;
FIG. 3 is a front elevational view thereof;
FIG. 4 is a left side view thereof;
FIG. 5 is a rear view thereof;
FIG. 6 is a right side view thereof;
FIG. 7 is a top plan view thereof; and,
FIG. 8 is a bottom view thereof.
The broken lines shown in the drawings depict portions of the faucet that form no part of the claimed design.

1 Claim, 4 Drawing Sheets



(56)

References Cited

U.S. PATENT DOCUMENTS

D879,914 S *	3/2020	Lazarini	D23/238
D895,068 S *	9/2020	Johnson	D23/238
D913,440 S *	3/2021	Zeng	D23/238
D914,144 S *	3/2021	Levi	D23/238
D914,846 S *	3/2021	Zhang	D23/238
D914,847 S *	3/2021	Zhang	D23/238
D923,148 S *	6/2021	Lazarini	D23/238
D930,118 S *	9/2021	Elser	D23/238
D930,792 S *	9/2021	Fritz	D23/238

* cited by examiner

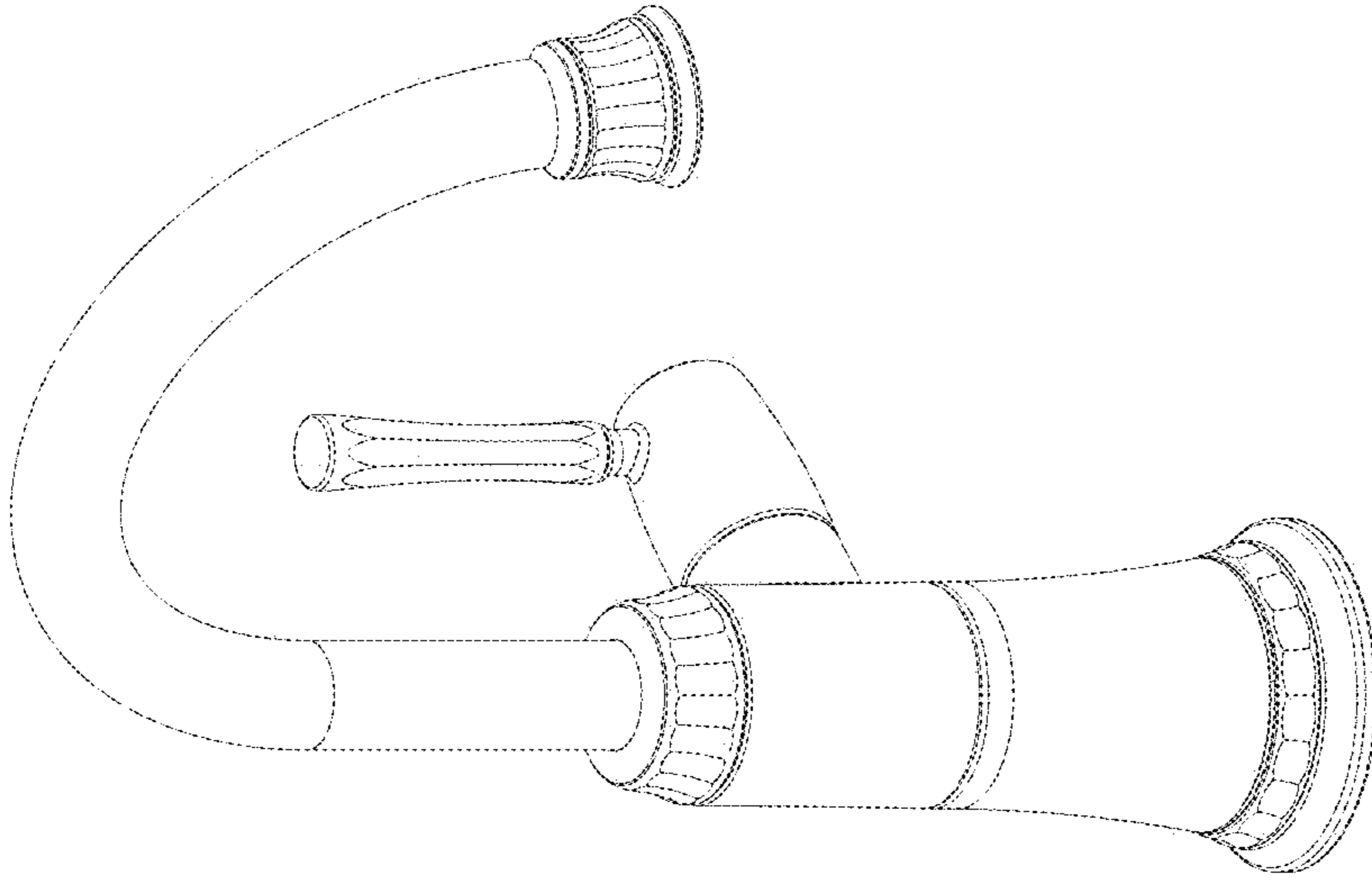


FIG-2

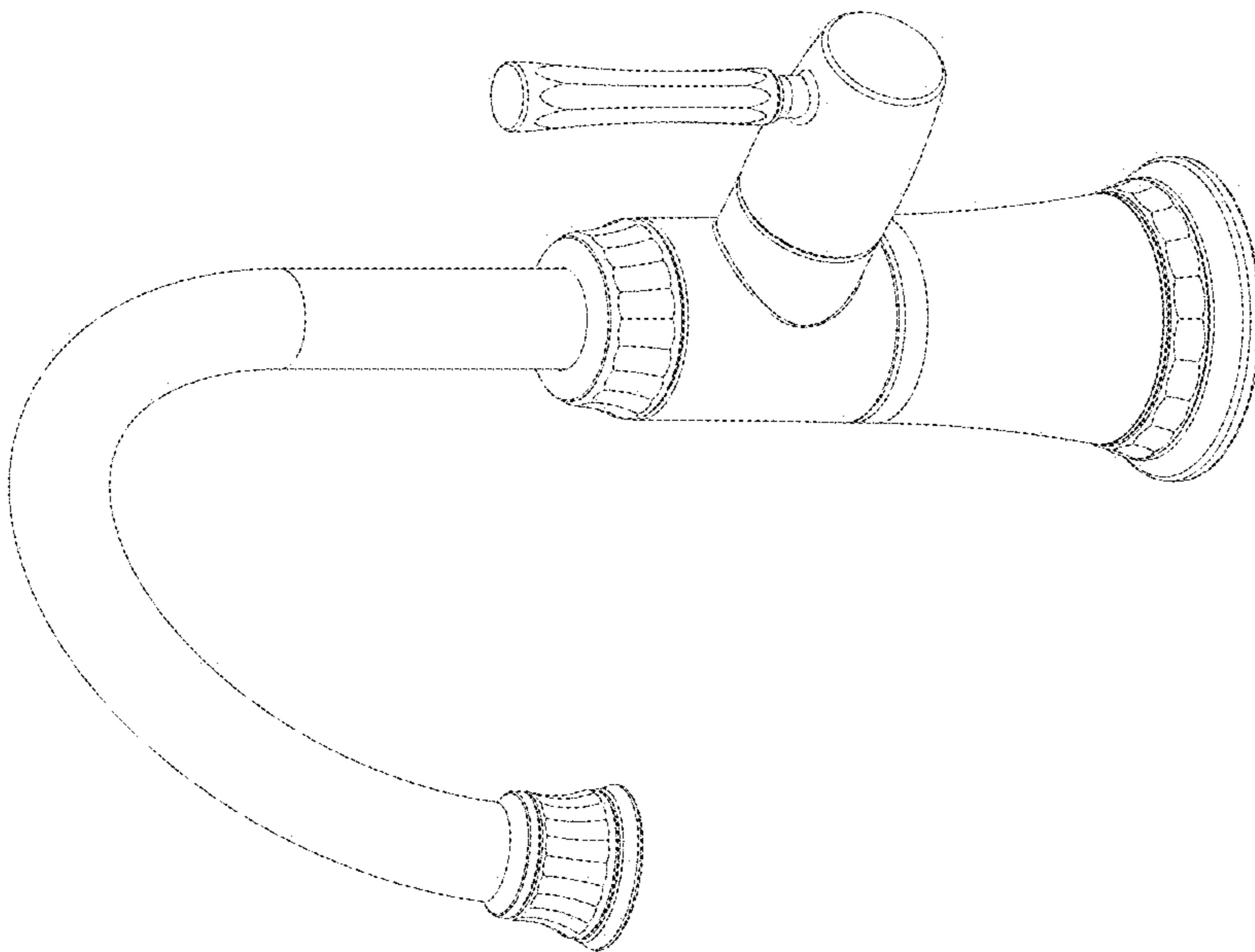


FIG-1

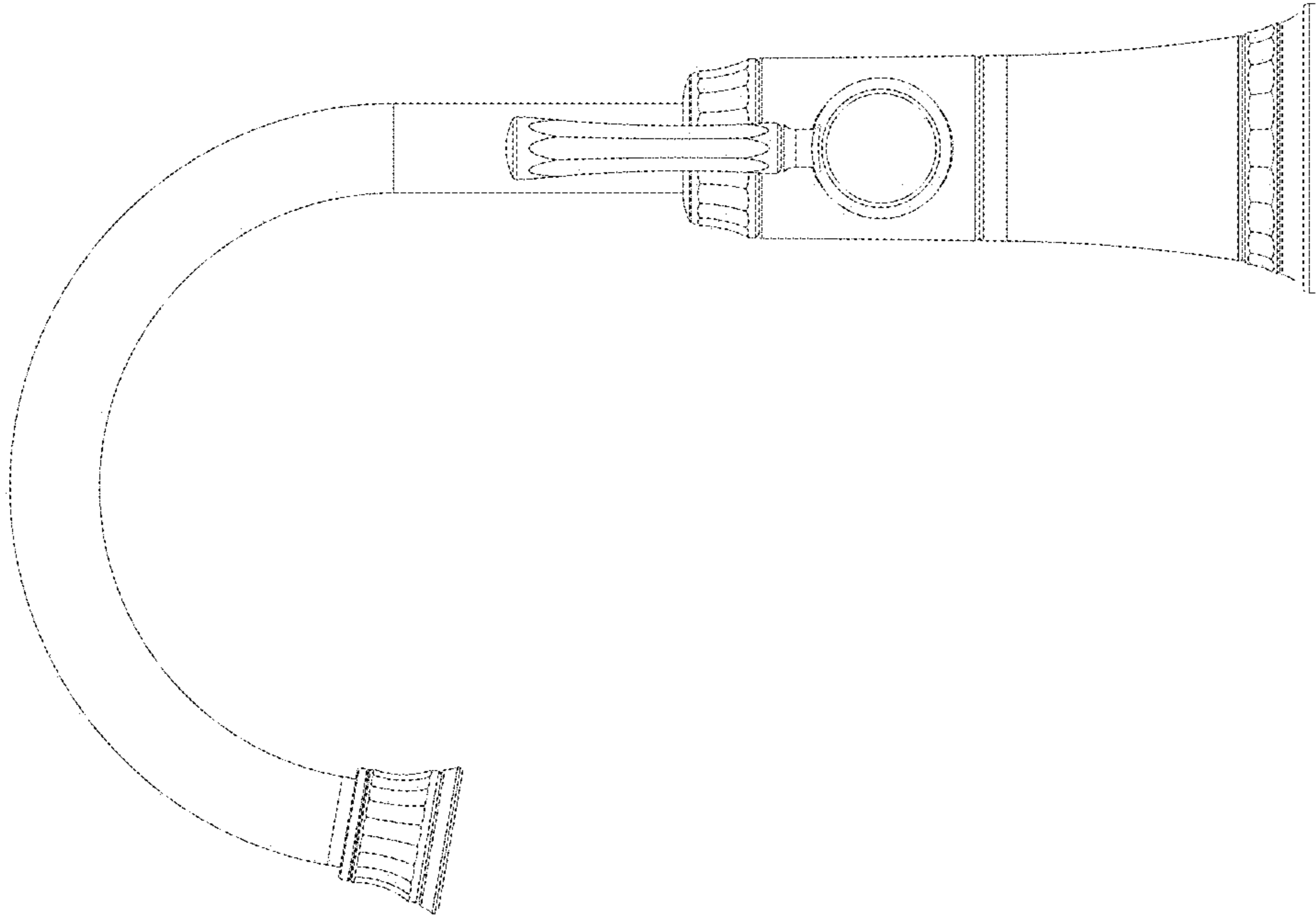


FIG-4

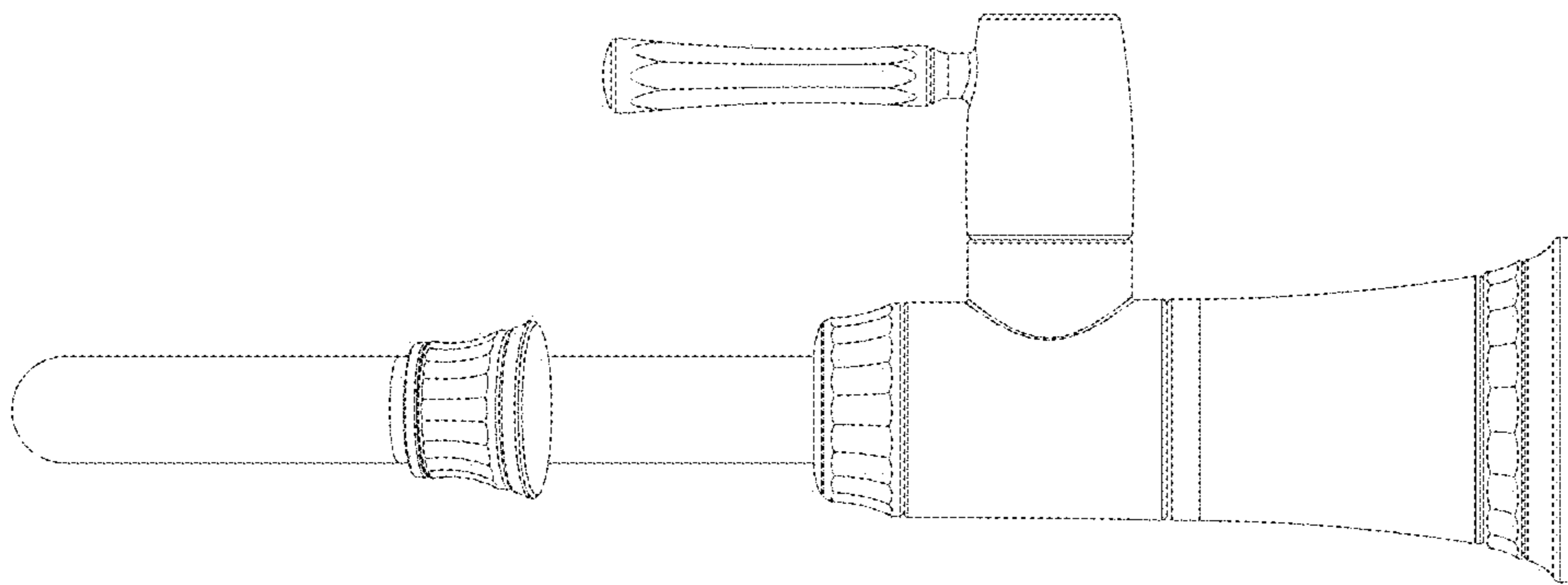


FIG-3

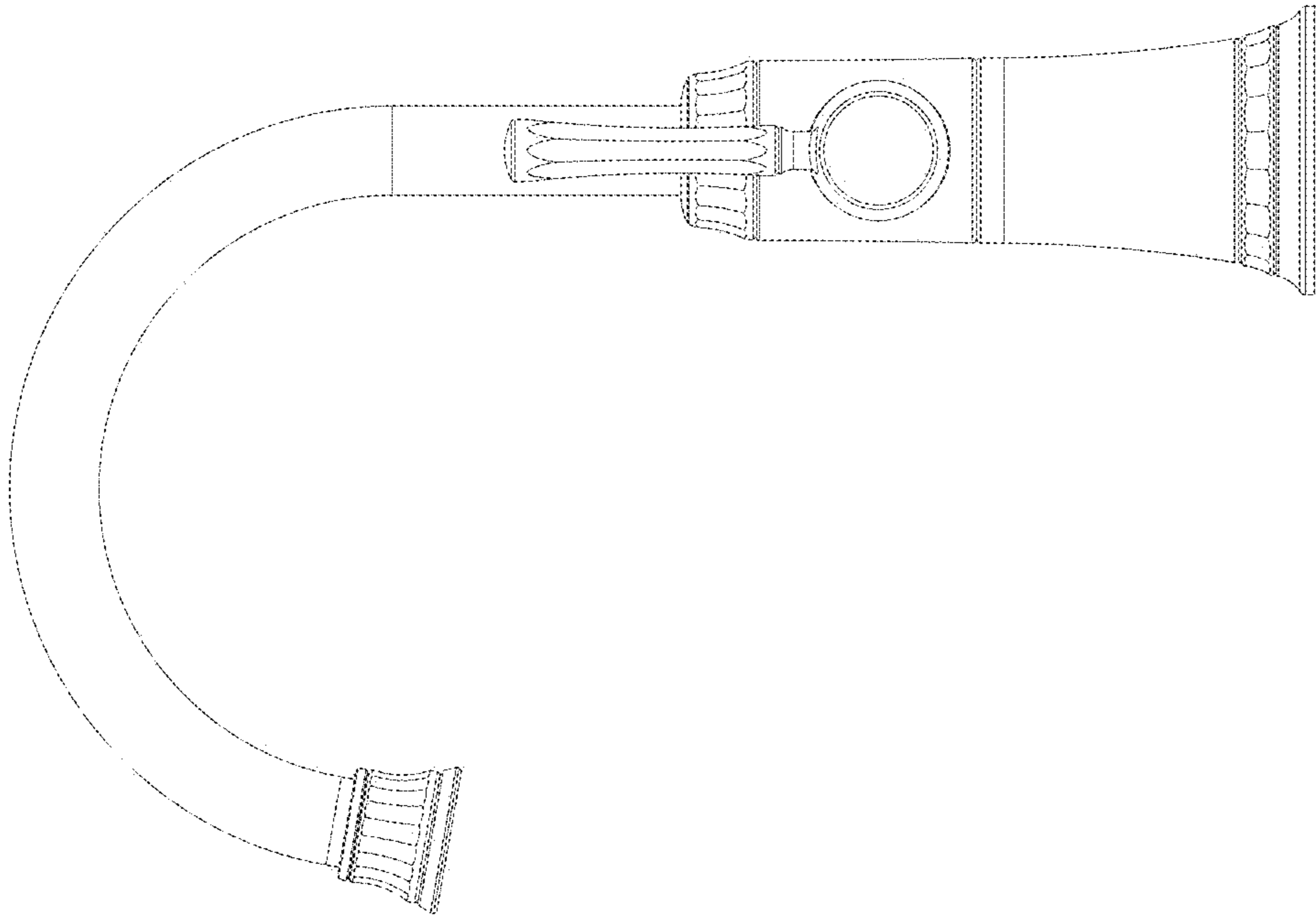


FIG-6

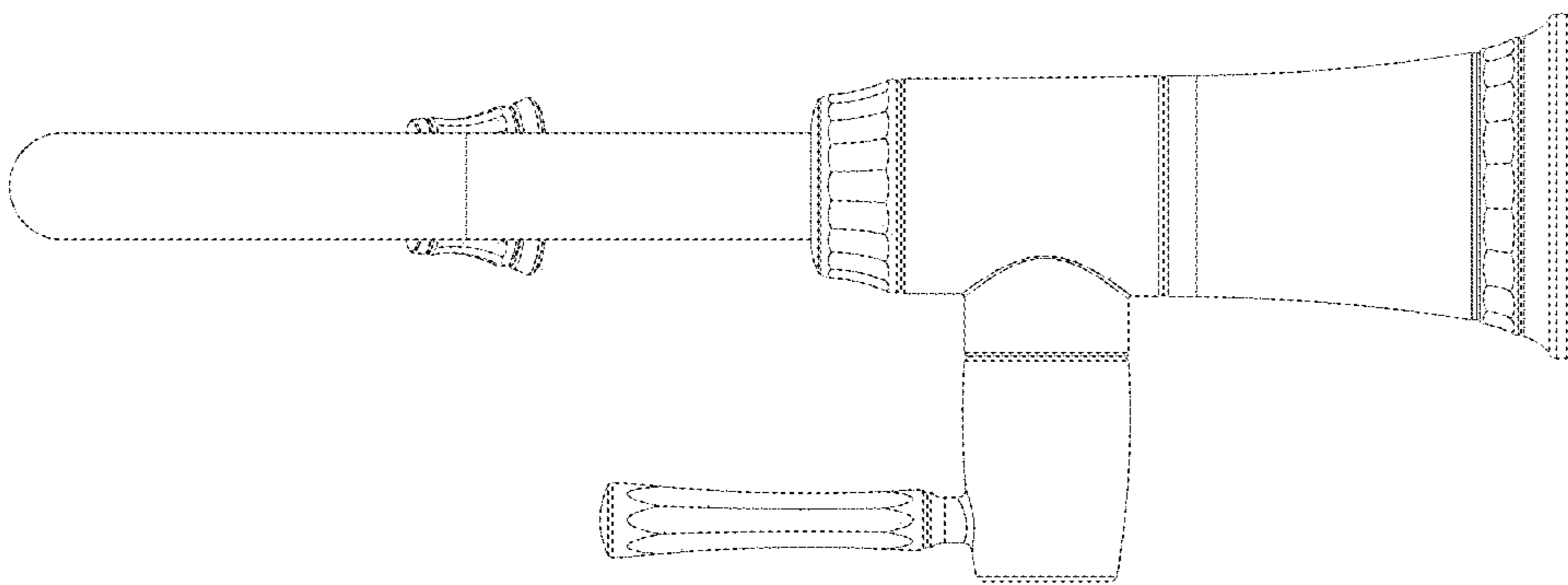


FIG-5

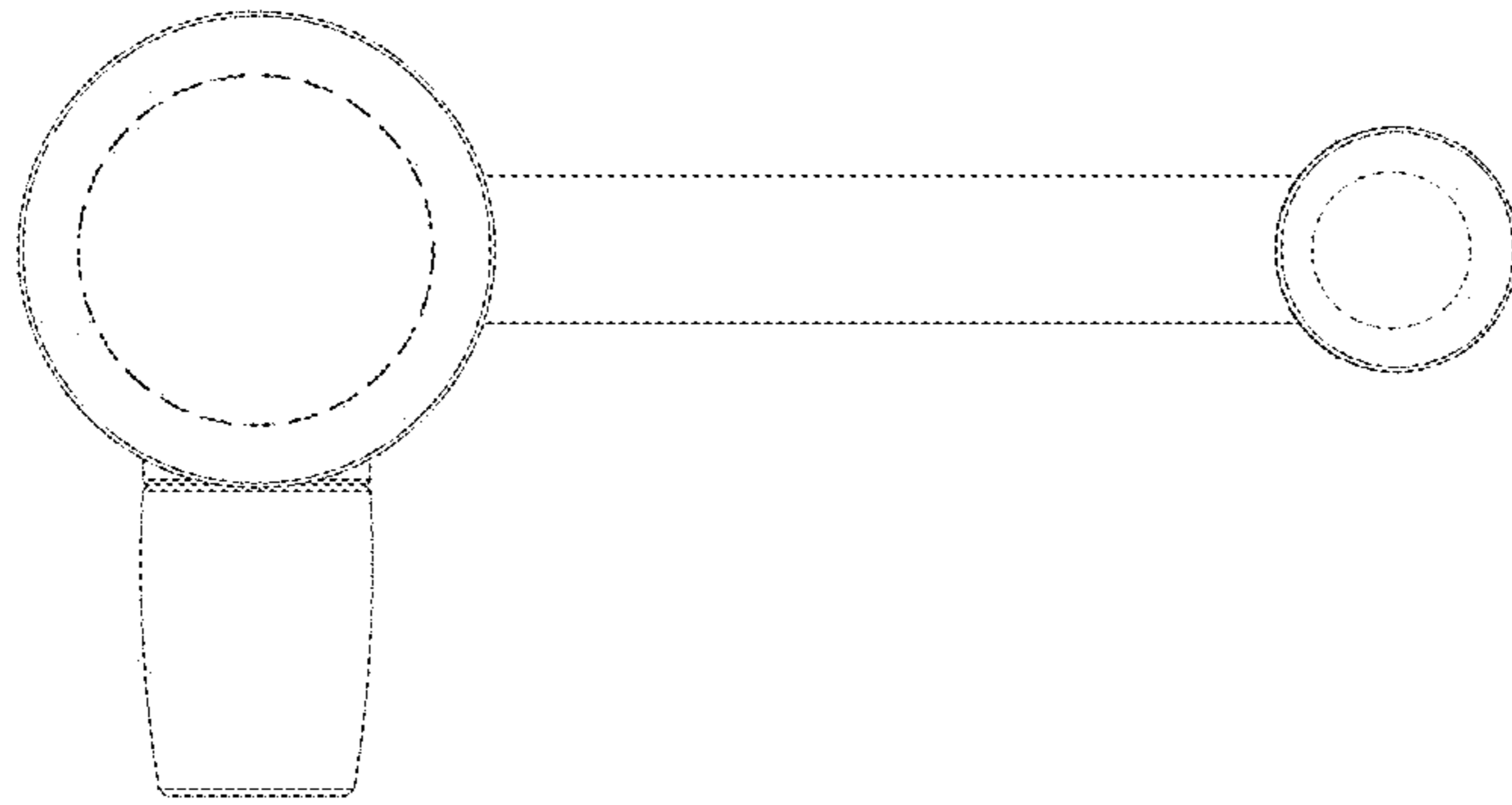


FIG-8

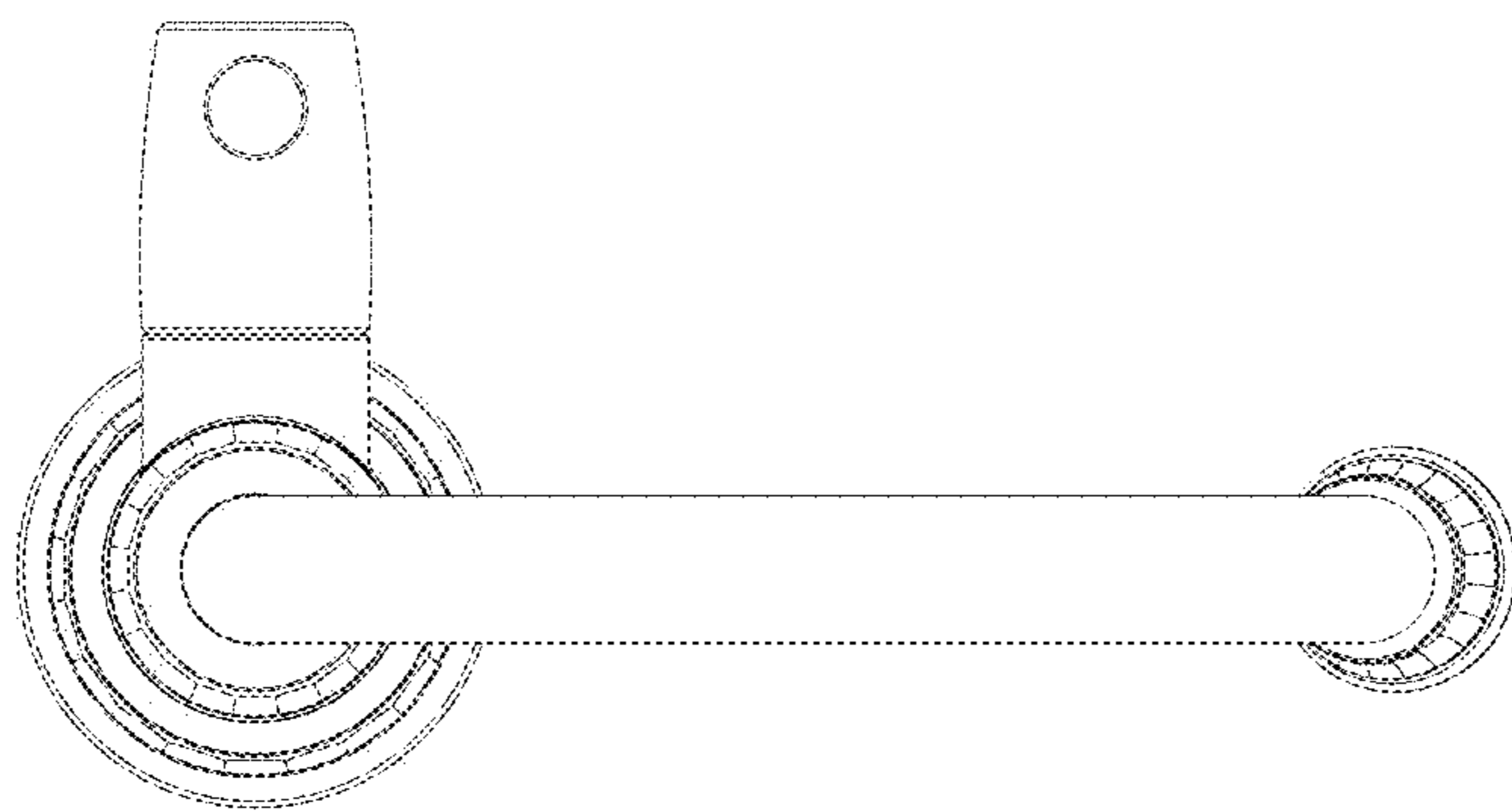


FIG-7