



US00D941957S

(12) **United States Design Patent** (10) **Patent No.:** **US D941,957 S**
Ryu (45) **Date of Patent:** **** Jan. 25, 2022**

(54) **PORTABLE SHOWER HEAD**

OTHER PUBLICATIONS

(71) Applicant: **In Shik Ryu**, Gwangju (KR)
(72) Inventor: **In Shik Ryu**, Gwangju (KR)
(73) Assignee: **CEBIEN CO., LTD**, Gwangju-si (KR)
(**) Term: **15 Years**
(21) Appl. No.: **29/722,493**
(22) Filed: **Jan. 30, 2020**
(51) **LOC (13) Cl.** **23-01**
(52) **U.S. Cl.**
USPC **D23/213**
(58) **Field of Classification Search**
USPC D23/213, 214, 215, 223, 224, 226, 229,
D23/230
CPC A61H 9/0021; A61H 33/00; B05B 1/00;
B05B 1/14; B05B 1/185; B05B 1/08;
B05B 1/02; B05B 1/26; B05B 12/002;
B05B 1/18; B05B 9/01
See application file for complete search history.

Handheld Shower Head High Pressure—INAYA Detachable Shower Head with Hand Held Spray, Jan. 14, 2020, Amazon.com, Oct. 5, 2021, URL: <https://www.amazon.com/Handheld-Shower-Head-Hose-Detachable/dp/B083TPW4VV> (Year: 2020).*
HANLIAN High Pressure Shower Head, Jun. 13, 2021, Amazon.com, Oct. 5, 2021, Amazon.com, Oct. 5, 2021, URL: <https://www.amazon.com/dp/B0974QYP6L> (Year: 2021).*
Rinse Ace Snap'n spray Chrome 1-Spray Handheld Shower 2-GPM (7.6-LPM), Nov. 12, 2017, Amazon.com, Oct. 5, 2021, URL: <https://www.lowes.com/pd/Rinse-Ace-Snap-N-Spray-Chrome-1-Spray-Handheld-Shower> (Year: 2017).*

* cited by examiner

Primary Examiner — Jack Reickel
Assistant Examiner — Keith J Wilson
(74) *Attorney, Agent, or Firm* — John K. Park; Park Law Firm

(56) **References Cited**

U.S. PATENT DOCUMENTS

D416,979 S *	11/1999	Bosio	D23/223
D425,177 S *	5/2000	Bosio	D23/223
D559,946 S *	1/2008	Nobili	D23/213
D737,931 S *	9/2015	Schoenherr	D23/223
D778,404 S *	2/2017	Schoenherr	D23/223
D898,164 S *	10/2020	Ruan	D23/213
D912,767 S *	3/2021	Ladwig	D23/223
D913,421 S *	3/2021	Yang	D23/223
D919,044 S *	5/2021	Yan	D23/213
D919,746 S *	5/2021	Lin	D23/223
D920,474 S *	5/2021	Fu	D23/222
D922,525 S *	6/2021	Urry	D23/226
D924,360 S *	7/2021	Schoenherr	D23/223

(57) **CLAIM**

The ornamental design for a portable shower head, as shown and described.

DESCRIPTION

FIG. 1 is a perspective view of the portable shower head head showing my new design;
FIG. 2 is a front view thereof;
FIG. 3 is a left side view thereof;
FIG. 4 is a right side view thereof;
FIG. 5 is a top plan view thereof;
FIG. 6 is a bottom plan view thereof; and,
FIG. 7 is a rear view of the portable shower head.

1 Claim, 7 Drawing Sheets



Fig. 1

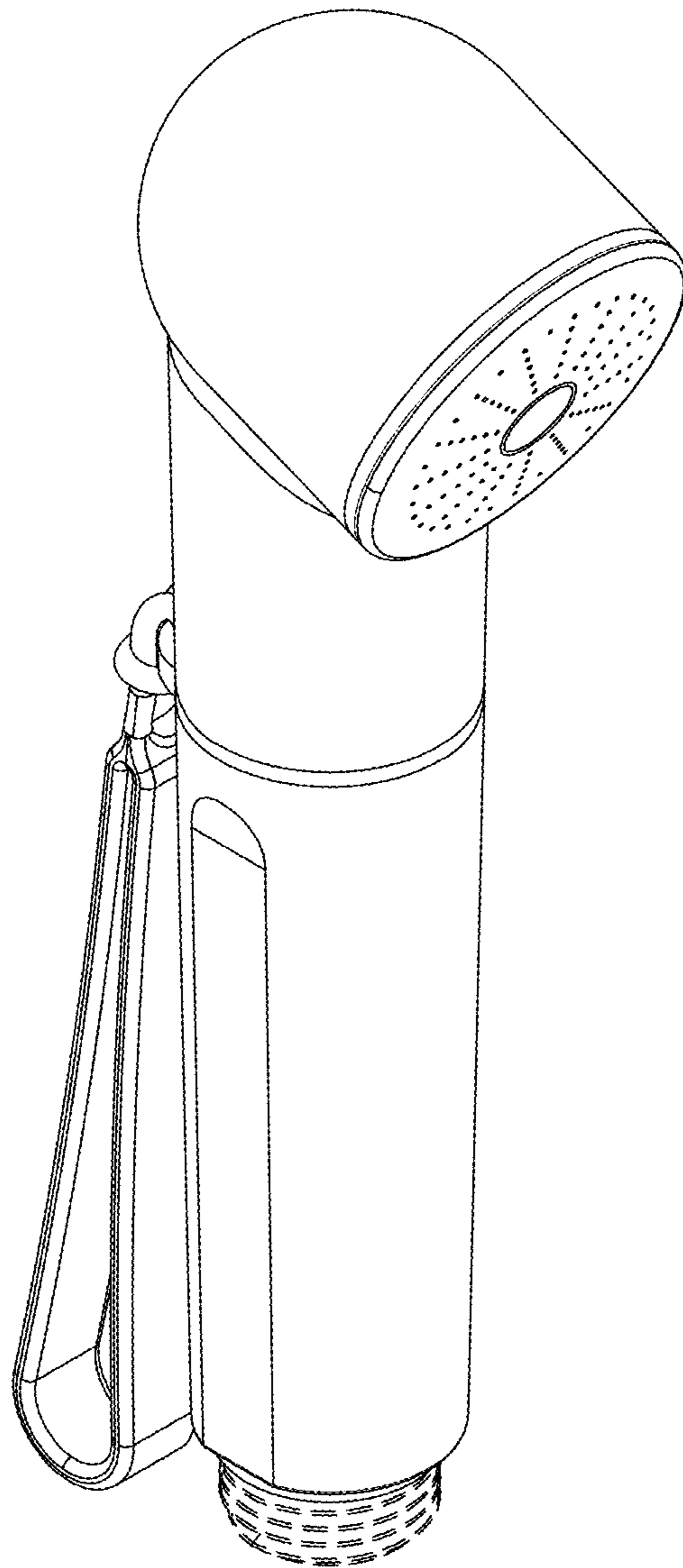


Fig. 2

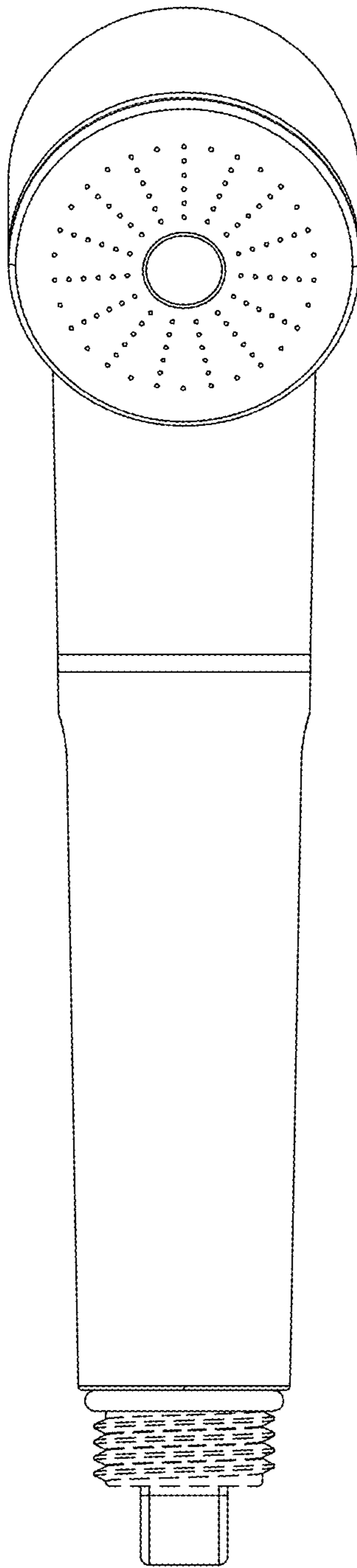


Fig. 3

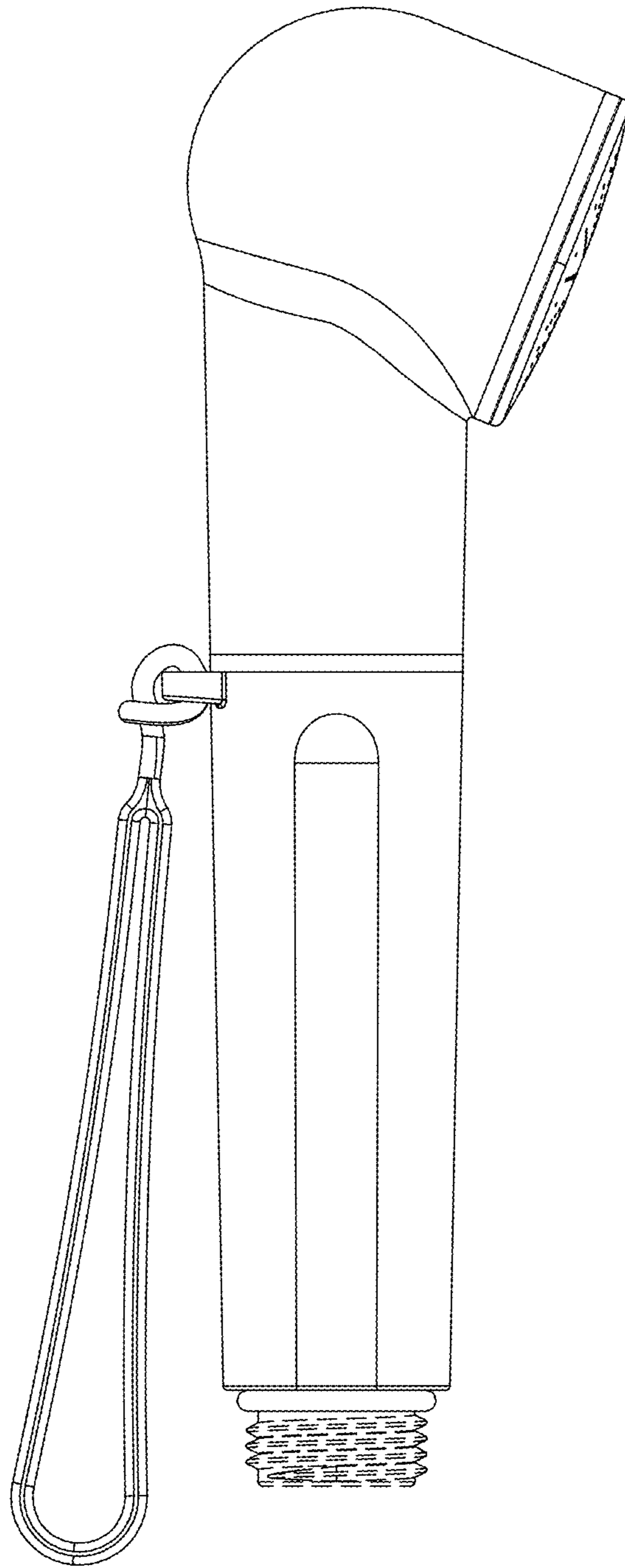


Fig. 4

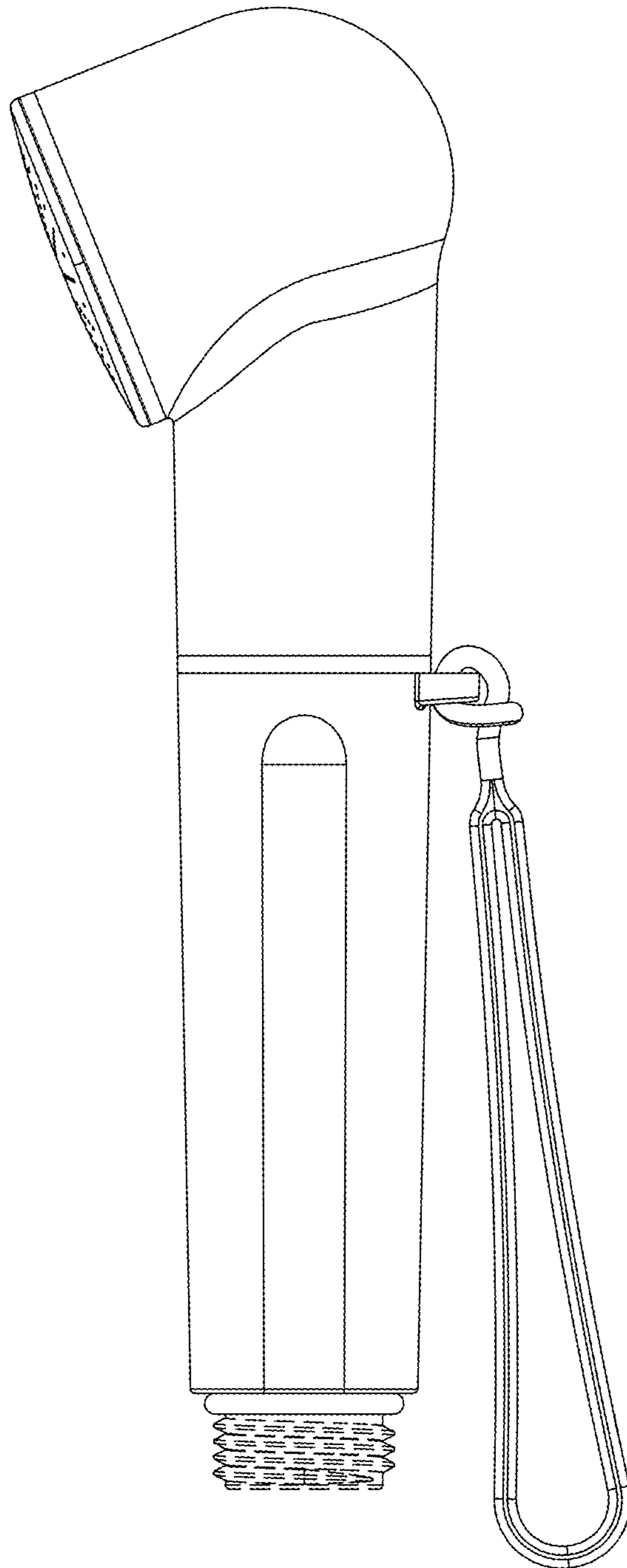


Fig. 5

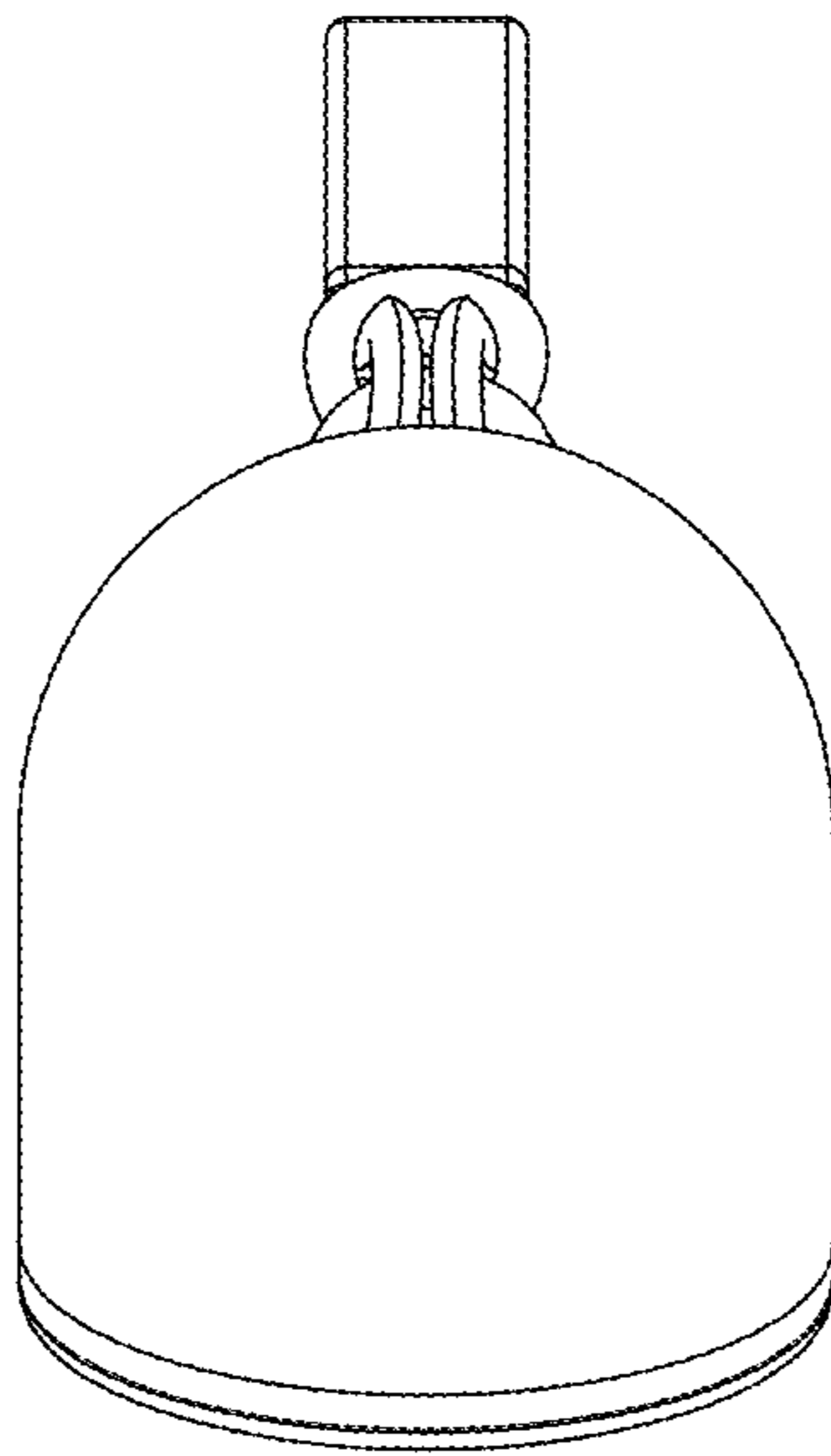


Fig. 6

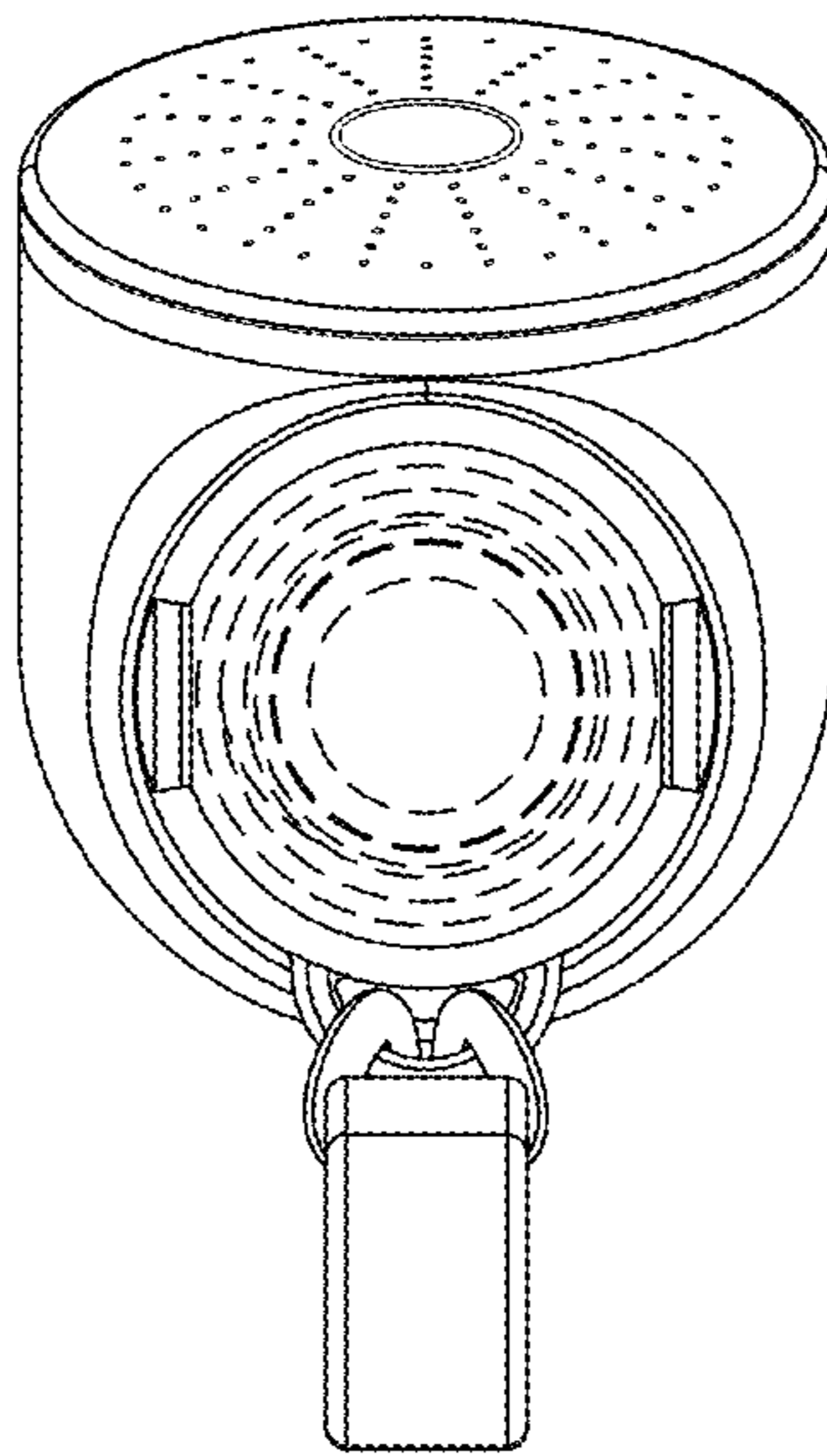


Fig. 7

