



US00D941951S

(12) **United States Design Patent**  
**Crilley**

(10) **Patent No.:** **US D941,951 S**  
(45) **Date of Patent:** **\*\* Jan. 25, 2022**

(54) <b>SPRAY DEFENSE DEVICE</b>	2011/0210146 A1* 9/2011 Dapper ..... F41H 9/10 222/113
(71) Applicant: <b>Fazer Defense, LLC</b> , Madeira Beach, FL (US)	2012/0187163 A1* 7/2012 Tybakinoja ..... F41C 33/0263 224/162
(72) Inventor: <b>Jeffrey Crilley</b> , Madeira Beach, FL (US)	2015/0312399 A1* 10/2015 Teig ..... F41H 9/10 455/404.2
	2017/0097208 A1* 4/2017 Hebden ..... F41H 9/10
	2019/0249698 A1* 8/2019 Chen ..... F41H 13/0018

(73) Assignee: **Fazer Defense, LLC**, Madeira Beach,  
FL (US)

\* cited by examiner

(\*\*) Term: **15 Years**

*Primary Examiner* — Catherine R Oliver-Garcia  
(74) *Attorney, Agent, or Firm* — Larson & Larson, P.A.;  
Justin P. Miller; Frank Liebenow

(21) Appl. No.: **29/753,227**

(22) Filed: **Sep. 30, 2020**

(57) **CLAIM**

(51) **LOC (13) Cl.** ..... **22-02**

I claim the ornamental design for a spray defense device, as  
shown and described.

(52) **U.S. Cl.**

USPC ..... **D22/117**

(58) **Field of Classification Search**

USPC ..... D22/117

CPC ..... B65D 83/384; F21B 15/025; F41B 15/02;

F41B 15/06; F41B 15/025; F41H 9/10;

F41C 33/0236

See application file for complete search history.

**DESCRIPTION**

FIG. 1 is a perspective view of a spray defense device  
showing my new design;  
FIG. 2 is a front elevation view thereof;  
FIG. 3 is a back elevation thereof;  
FIG. 4 is a right-side elevation view thereof;  
FIG. 5 is a left-side elevation view thereof;  
FIG. 6 is a top plan view thereof; and,  
FIG. 7 is a bottom plan view thereof.

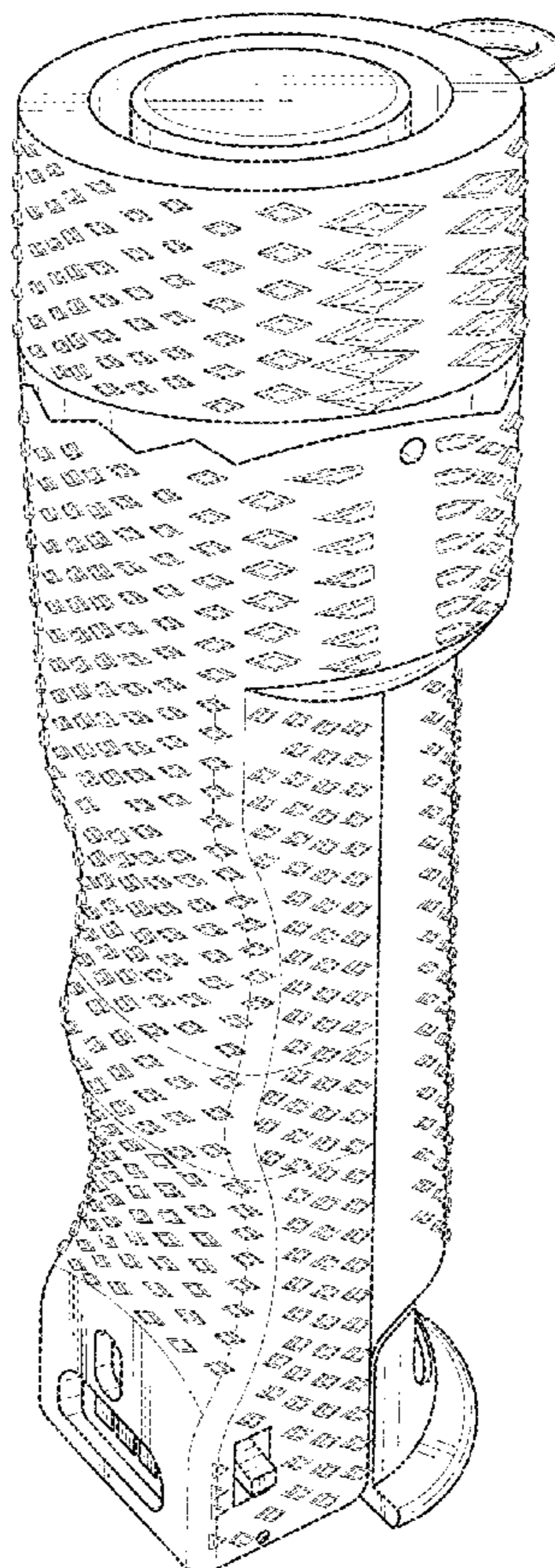
(56) **References Cited**

**U.S. PATENT DOCUMENTS**

D723,131 S \* 2/2015 Habermann ..... D22/117

D887,520 S \* 6/2020 Nance ..... D22/117

**1 Claim, 7 Drawing Sheets**



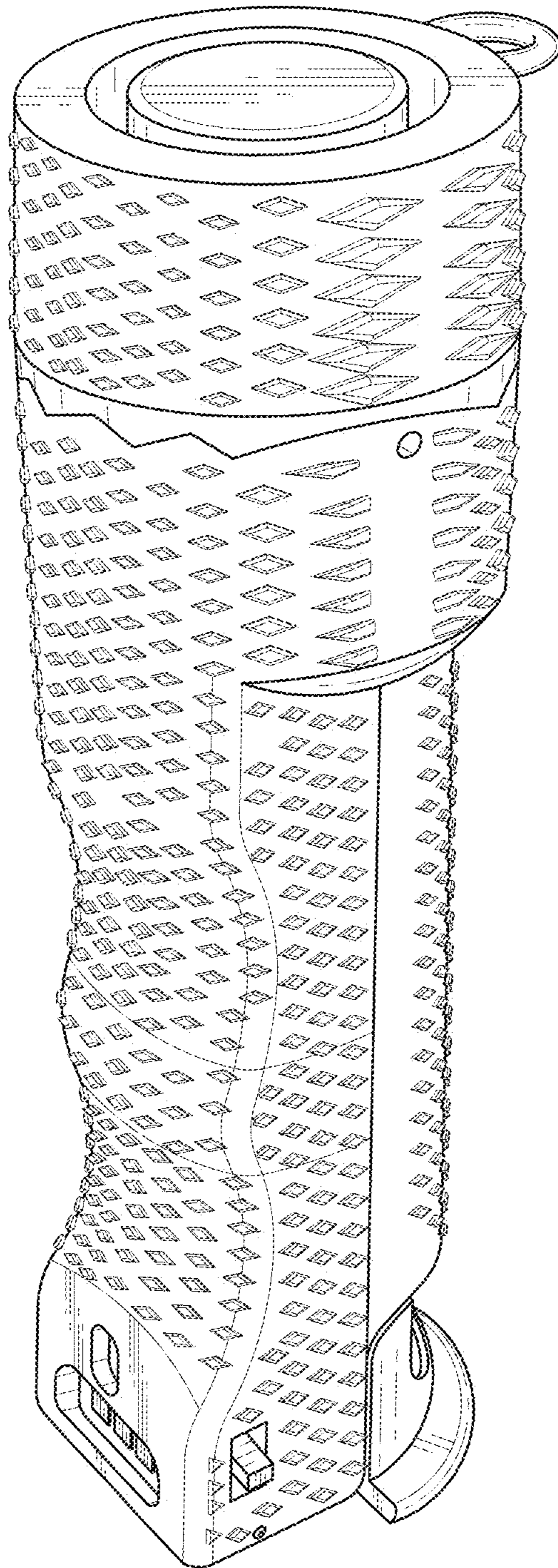


FIG. 1

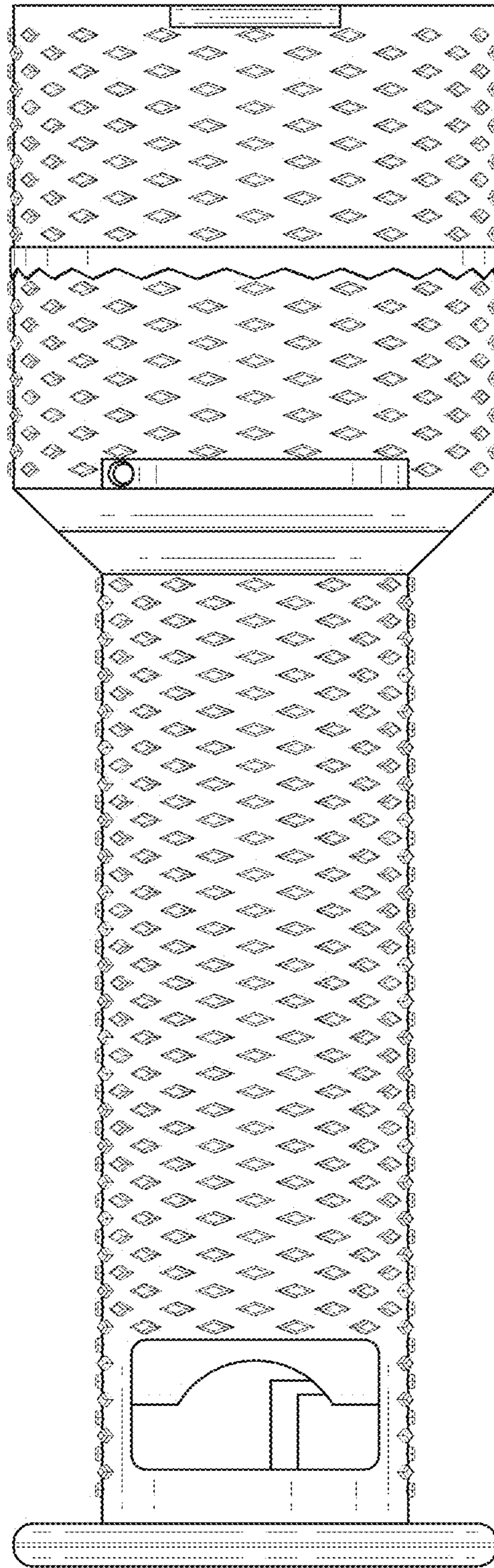


FIG. 2

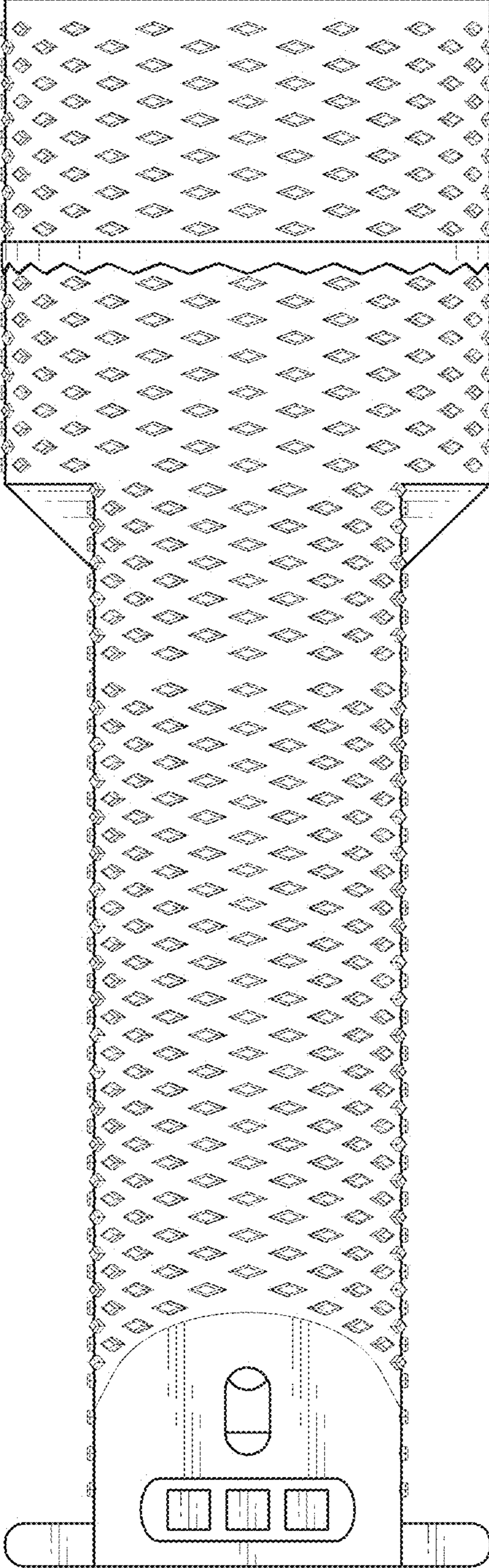


FIG. 3

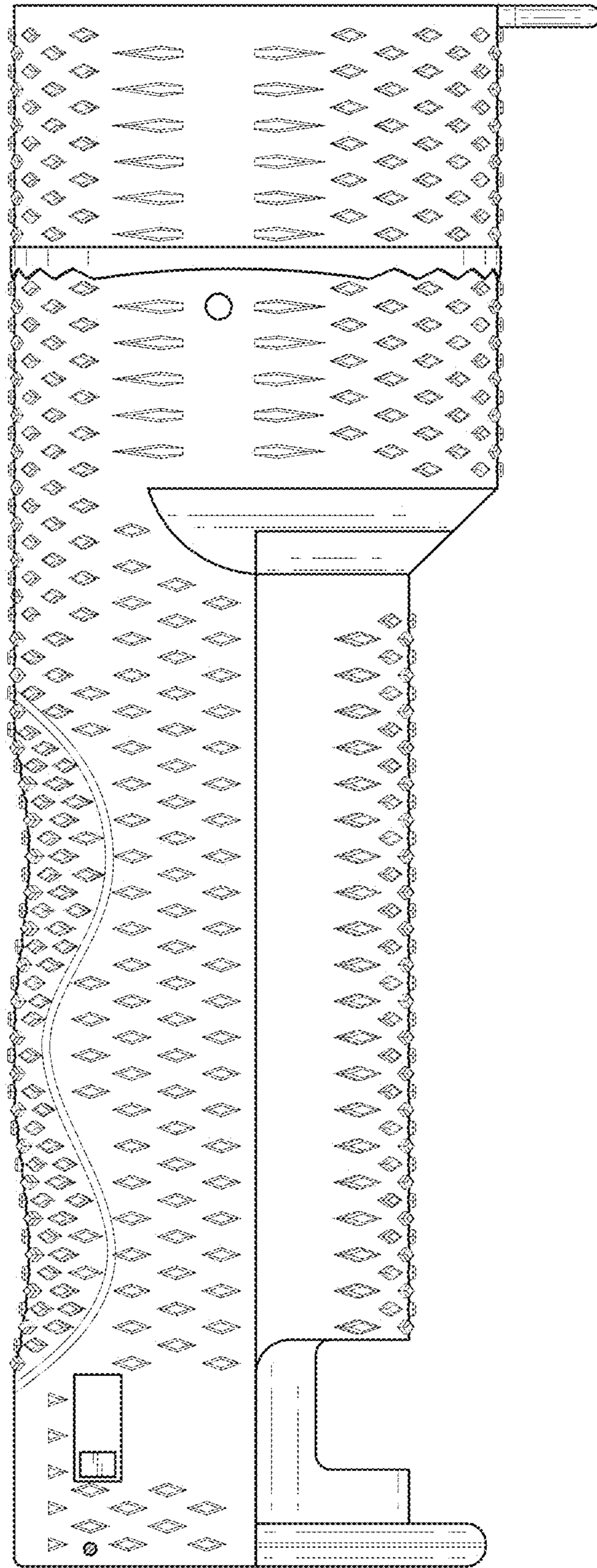


FIG. 4

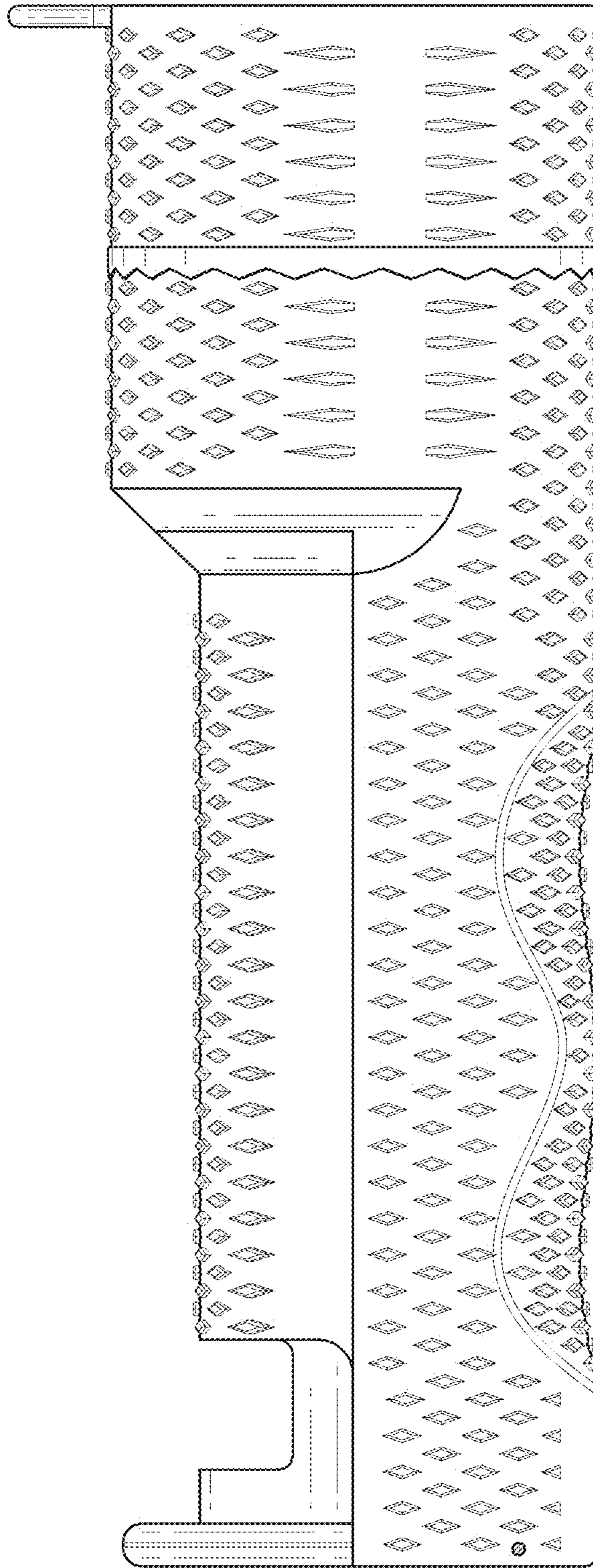


FIG. 5

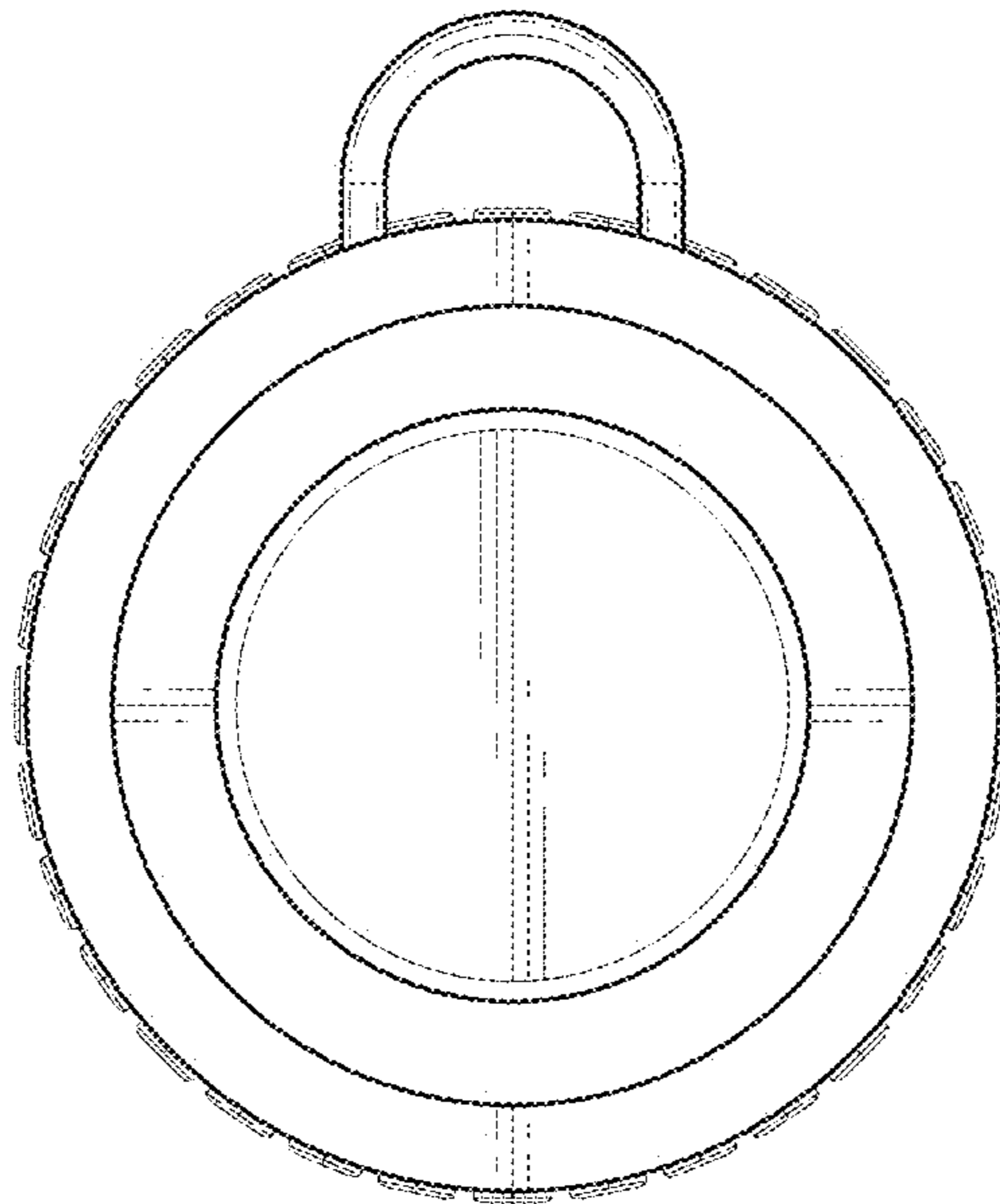


FIG. 6

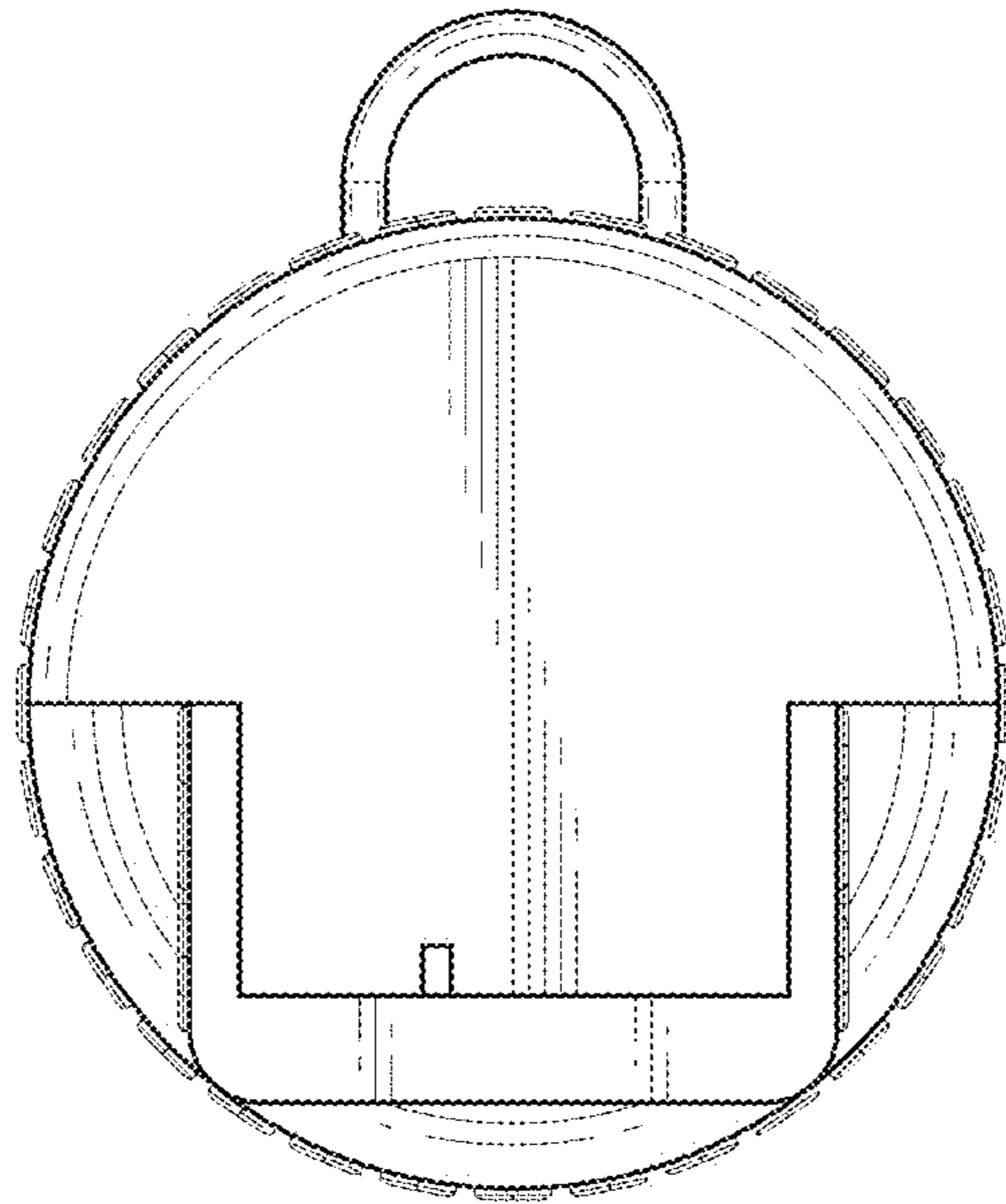


FIG. 7