



US00D941949S

(12) **United States Design Patent**
Zheng

(10) **Patent No.:** **US D941,949 S**
(45) **Date of Patent:** **** Jan. 25, 2022**

- (54) **ROPE TOY**
- (71) Applicant: **WENZHOU QIAOHOUER PLAYGROUND EQUIPMENT CO., LTD**, Wenzhou (CN)
- (72) Inventor: **Jiannan Zheng**, Wenzhou (CN)
- (73) Assignee: **WENZHOU QIAOHOUER PLAYGROUND EQUIPMENT CO., LTD**, Wenzhou (CN)
- (**) Term: **15 Years**
- (21) Appl. No.: **29/771,747**
- (22) Filed: **Feb. 25, 2021**
- (51) **LOC (13) Cl.** **21-02**
- (52) **U.S. Cl.**
USPC **D21/826**
- (58) **Field of Classification Search**
USPC D21/811, 814, 823–827
CPC A63B 9/00; A63B 2009/006; A63B 17/00;
A63B 7/00–085; A63B 21/16–169
See application file for complete search history.

- 3,874,375 A * 4/1975 Penner A61H 1/0218
606/241
 - D260,109 S * 8/1981 Ahrens D21/823
 - 4,296,923 A * 10/1981 Ahrens A63G 9/00
472/118
 - D274,285 S * 6/1984 Budde D21/825
 - D348,502 S * 7/1994 Webb, Jr. D21/823
- (Continued)

OTHER PUBLICATIONS

https://www.amazon.com/JumpTastic-Climbing-Backyard-Playground-Accessories/dp/B08BWTCQKS/ref=cm_cr_arp_d_product_top?ie=UTF8; Nov. 2, 2021.*

(Continued)

Primary Examiner — Mitchell I. Siegel

(57) **CLAIM**

The ornamental design for a rope toy, as shown and described.

DESCRIPTION

FIG. 1 is a perspective view of a rope toy showing my new design;
 FIG. 2 is another perspective view thereof;
 FIG. 3 is a front elevational view thereof;
 FIG. 4 is a rear elevational view thereof;
 FIG. 5 is a left side elevational view thereof;
 FIG. 6 is a right side elevational view thereof;
 FIG. 7 is a top plan view thereof;
 FIG. 8 is a bottom plan view thereof;
 FIG. 9 is an enlarged view of portion 9 shown in FIG. 1;
 FIG. 10 is an enlarged view of portion 10 shown in FIG. 1;
 FIG. 11 is an enlarged view of portion 11 shown in FIG. 1;
 FIG. 12 is an enlarged view of FIG. 7; and,
 FIG. 13 is an enlarged view of FIG. 8.

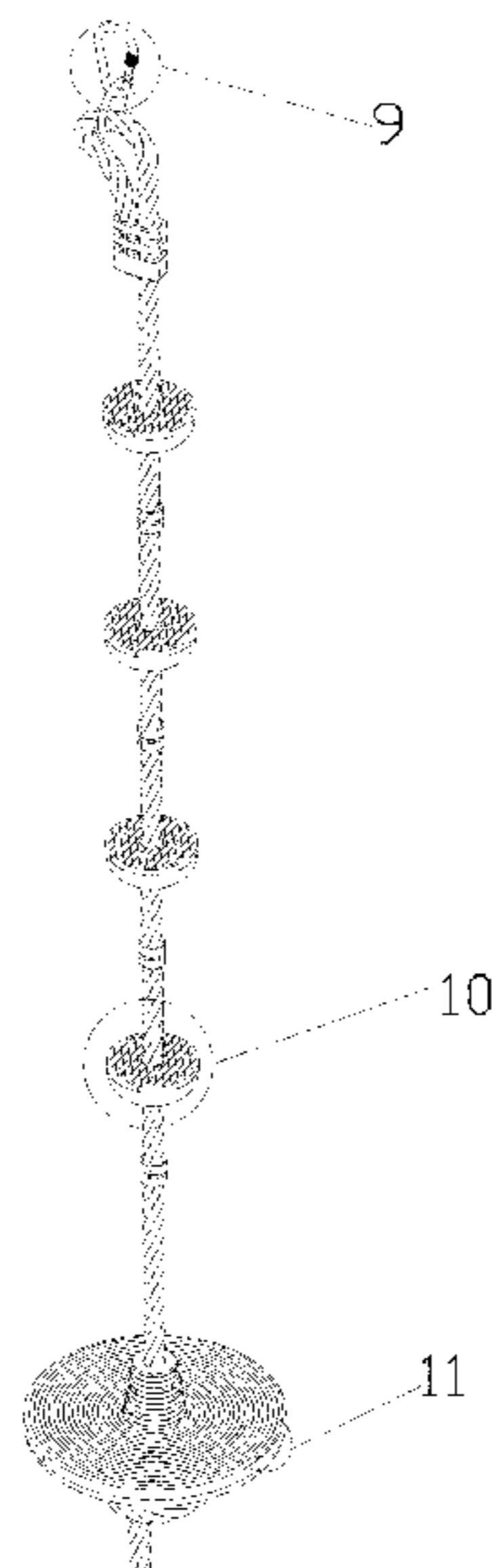
The broken lines in the drawings depict portions of the rope toy that form no part of the claimed design.

1 Claim, 13 Drawing Sheets

(56) **References Cited**

U.S. PATENT DOCUMENTS

- 1,765,361 A * 6/1930 Berman A63B 9/00
482/36
- D177,871 S * 5/1956 Martens D21/826
- D203,399 S * 1/1966 Kurrasch D21/823
- 3,411,774 A * 11/1968 Thornton A63G 9/06
472/50
- D214,570 S * 7/1969 Cohn D21/826
- D215,105 S * 9/1969 Cohn D21/823
- 3,642,277 A * 2/1972 Gersten A63B 7/04
482/37
- 3,730,520 A * 5/1973 Willis A63B 9/00
472/2
- 3,782,718 A * 1/1974 Saylor A63B 7/04
482/37



(56)

References Cited

U.S. PATENT DOCUMENTS

5,341,758 A * 8/1994 Strickland B63B 34/60
 114/253
 5,342,245 A * 8/1994 Webb, Jr. A63G 9/00
 472/118
 6,095,950 A * 8/2000 Katz A63B 9/00
 482/34
 D436,147 S 1/2001 Barnes
 8,715,140 B1 * 5/2014 Gertz A63B 21/16
 482/35
 8,794,702 B2 * 8/2014 Brown A63G 9/16
 297/273
 D737,904 S * 9/2015 Kuehne D21/419
 D746,622 S * 1/2016 O'Brien D6/716.1
 D793,816 S * 8/2017 Alteslaben D7/586
 D861,090 S * 9/2019 Colman D21/725
 D891,544 S * 7/2020 O'Brien D21/694
 D934,372 S * 10/2021 Kenton D21/823
 2012/0178543 A1 7/2012 Monachello
 2017/0001055 A1 * 1/2017 Brown A63B 29/02
 2019/0262649 A1 * 8/2019 Wymer A63B 21/068

OTHER PUBLICATIONS

<https://www.amazon.com/OXYVAN-Multicolor-Seat-Swingset-Accessories-Outdoor-Carabiner>; Nov. 2, 2021.*
<https://www.amazon.com/Tree-Climbing-Rope-Kids-Swing>; Nov. 2, 2021.*
https://www.pricepulse.app/happy-pie-playadventure-kids-four-knotted-platform_us_4581201; Nov. 2, 2021.*
<https://www.walmart.com/ip/Climbing-Rope-For-Kids-Disc-Swing-Toy-Footer-Holder-Indoor-Outdoor-Tree-Hanging/628031138>; Nov. 2, 2021.*

* cited by examiner

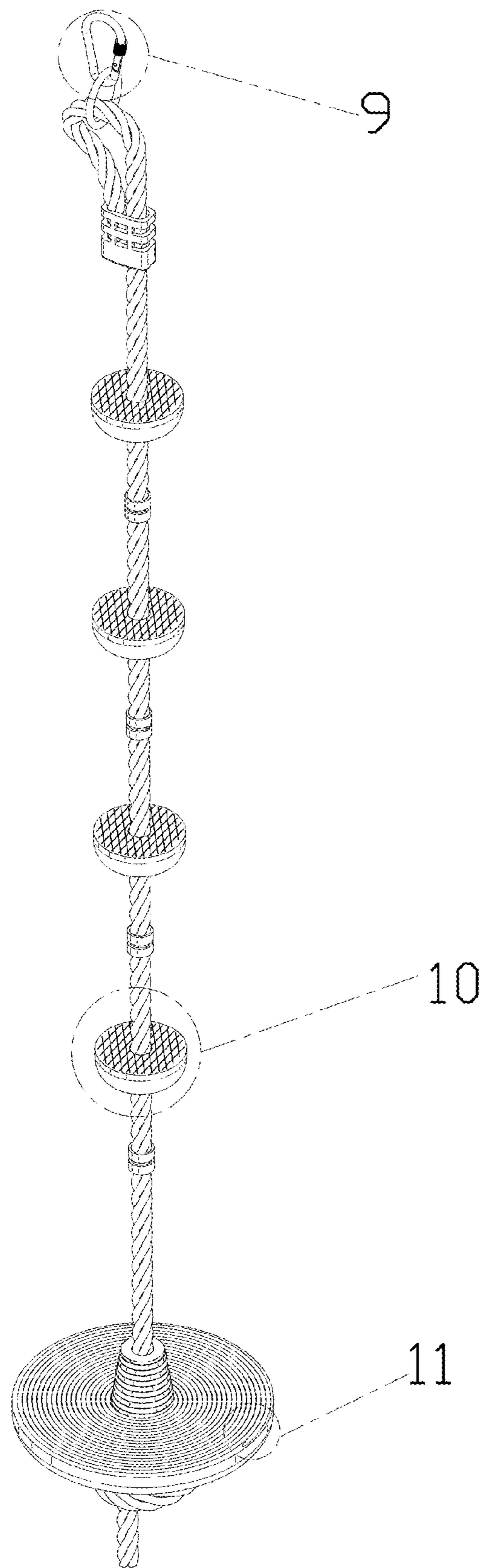


FIG. 1

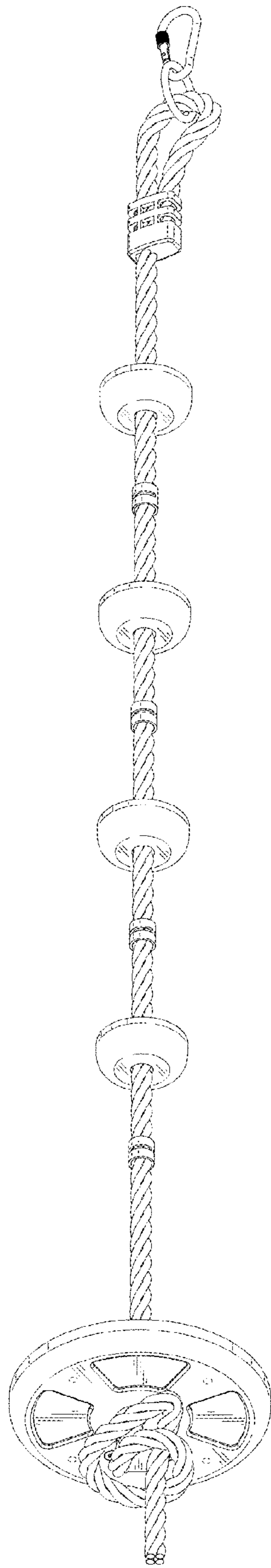


FIG. 2

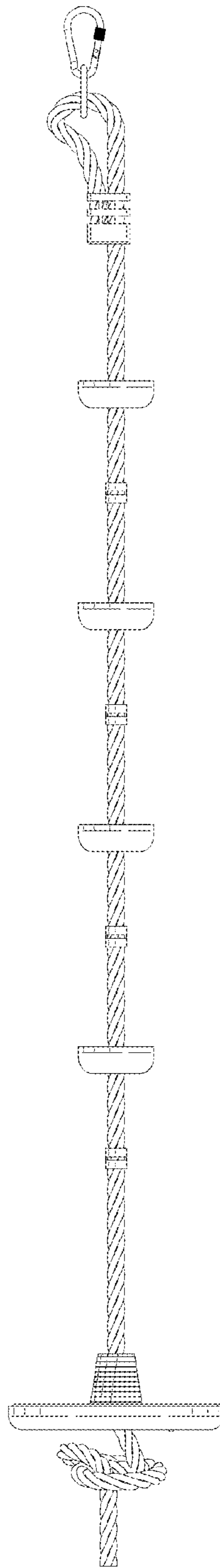


FIG. 3

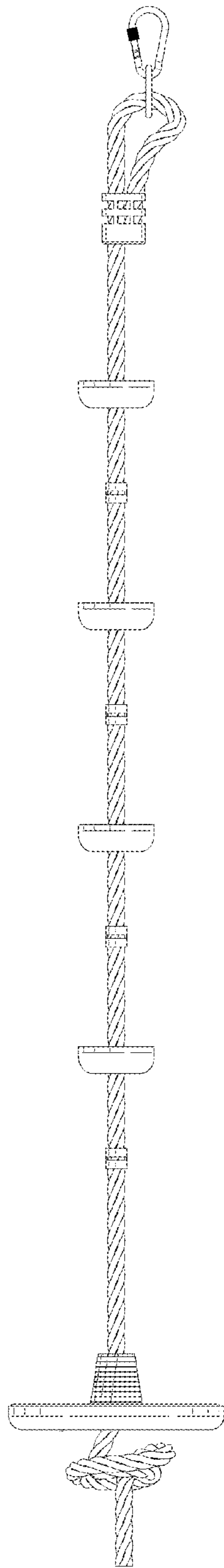


FIG. 4

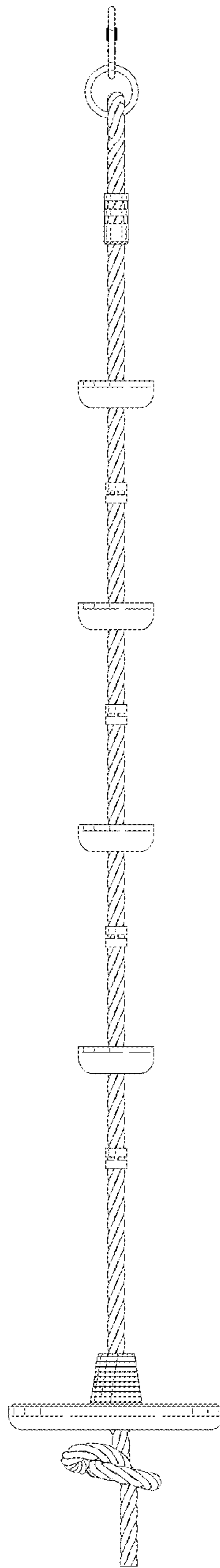


FIG. 5

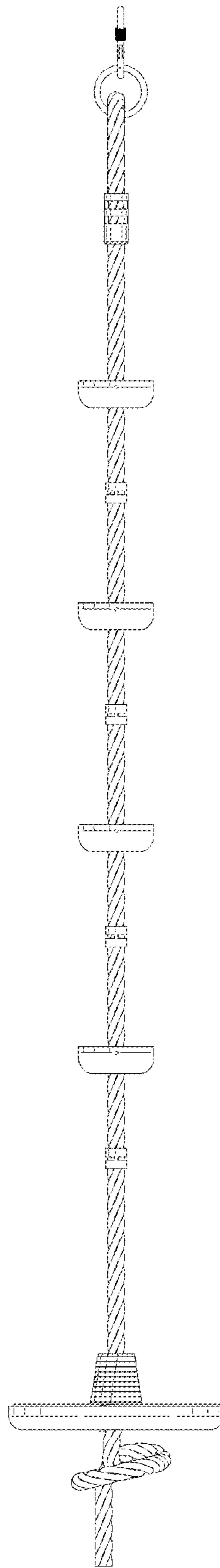


FIG. 6

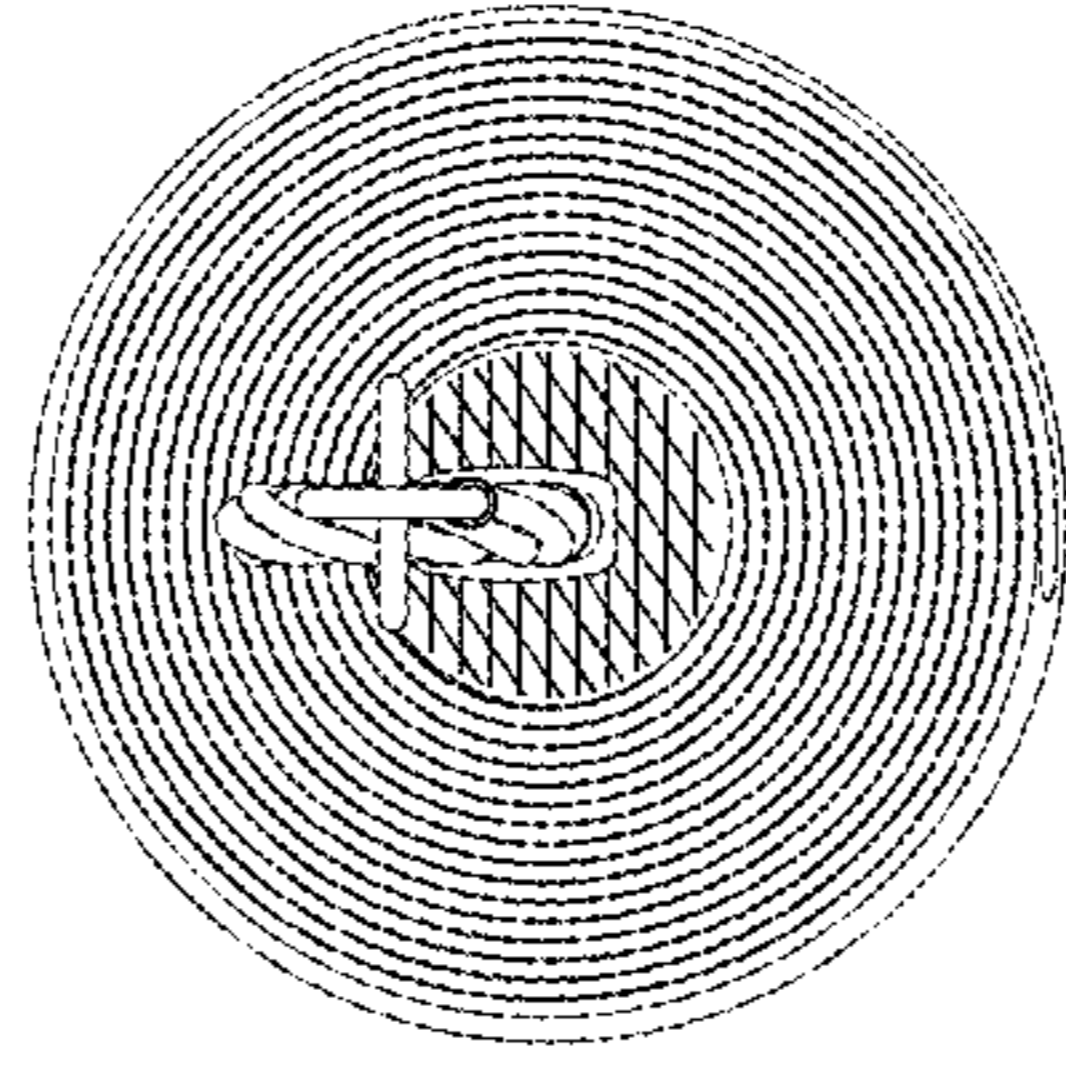


FIG. 7

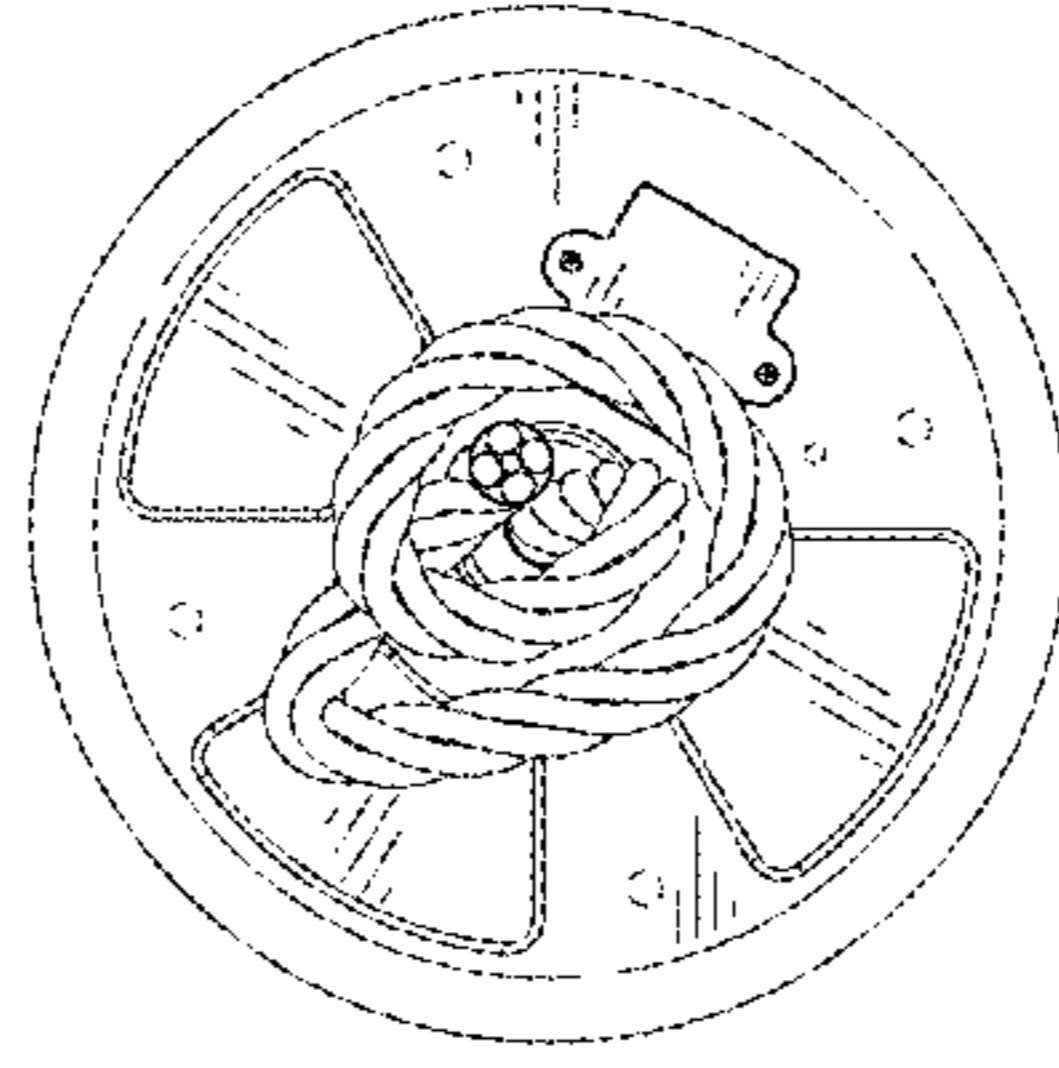


FIG. 8

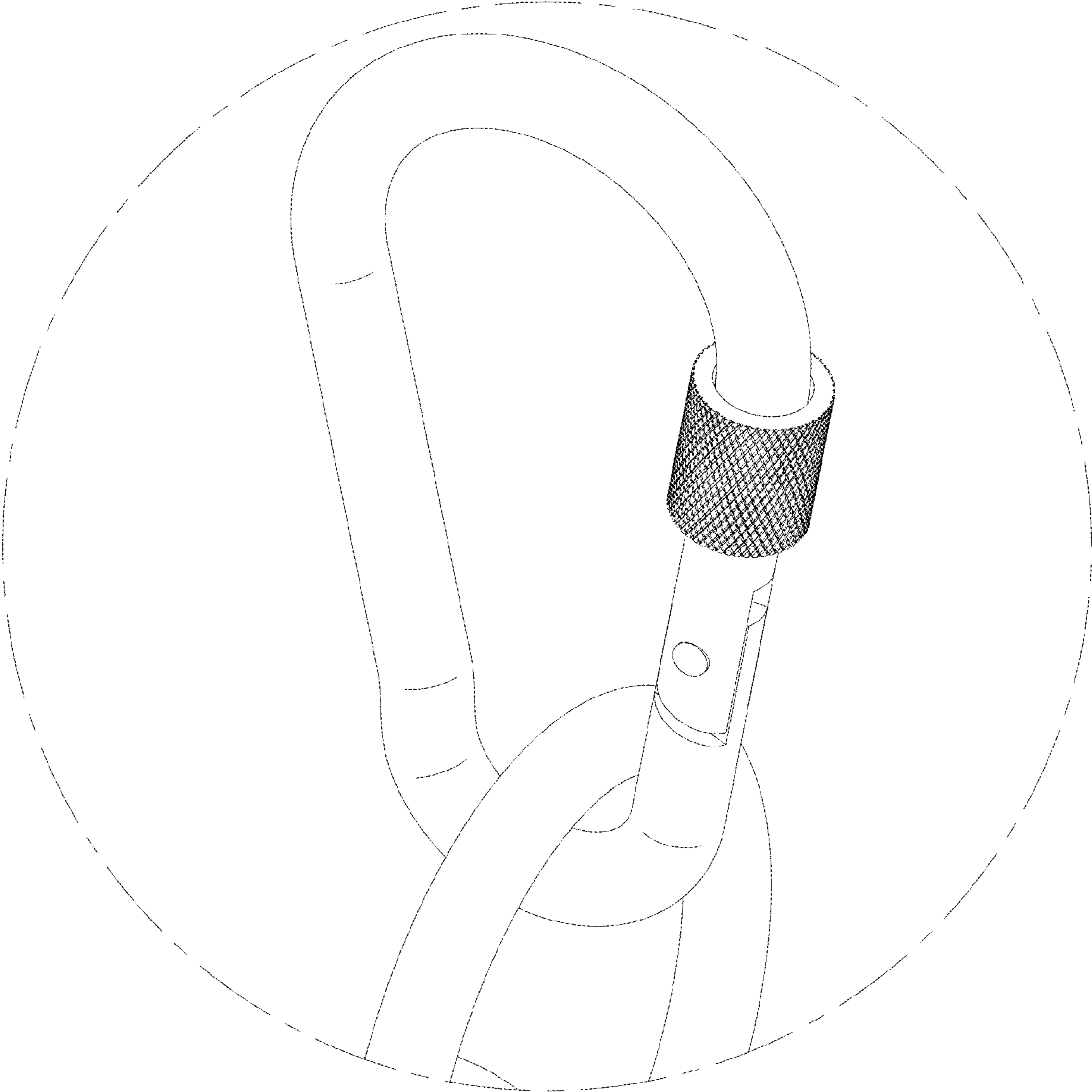


FIG. 9

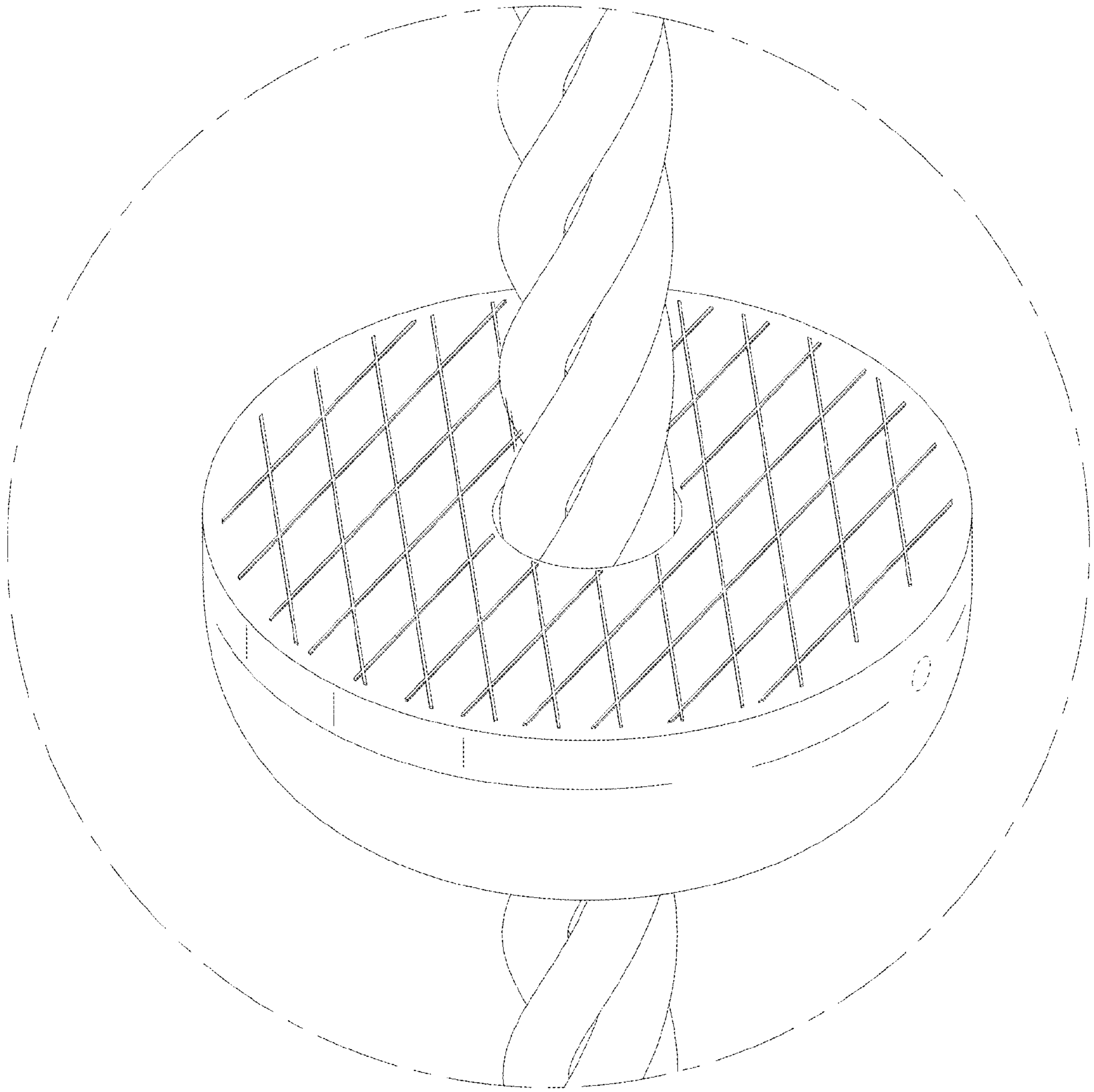


FIG. 10

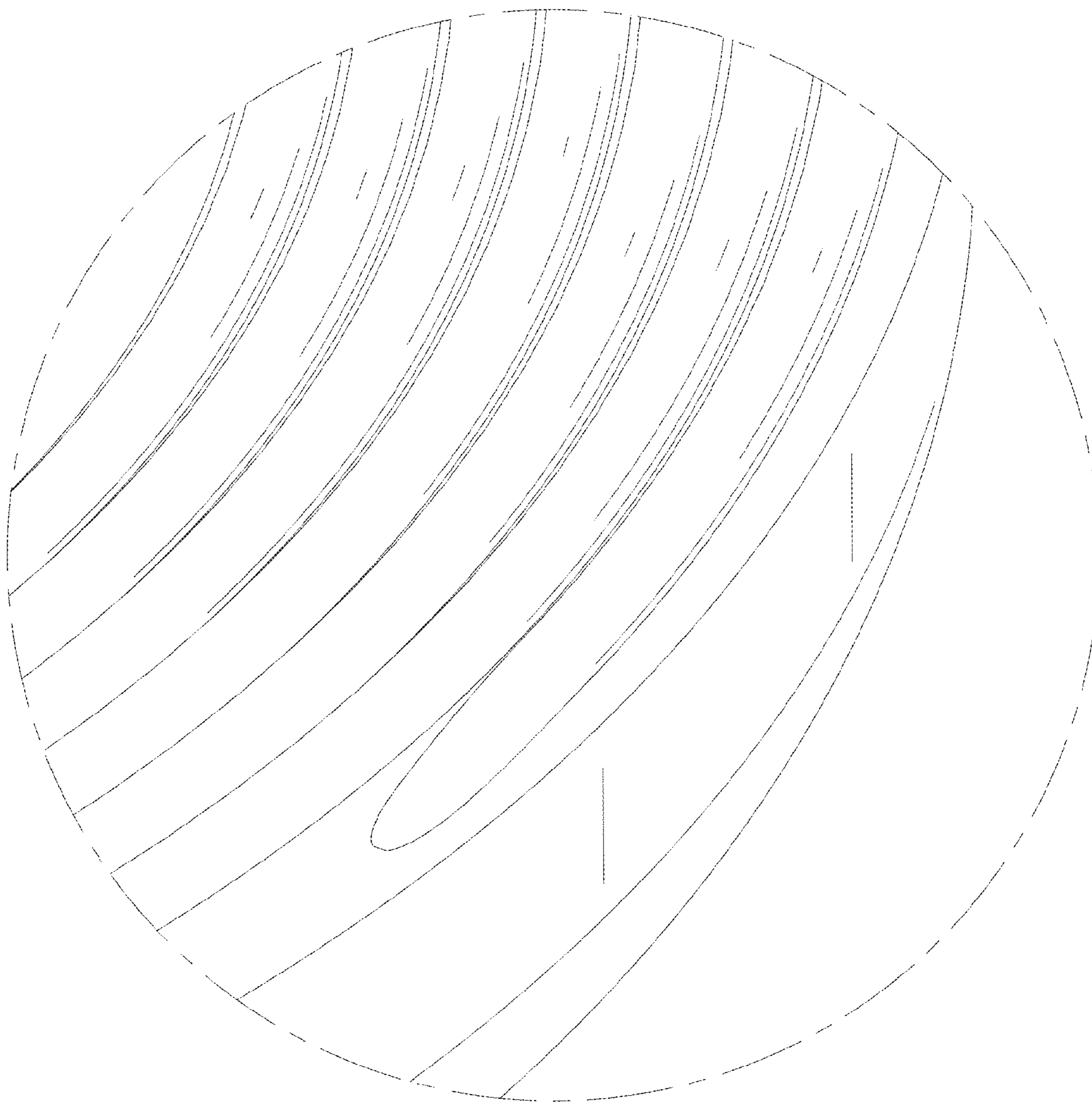


FIG. 11

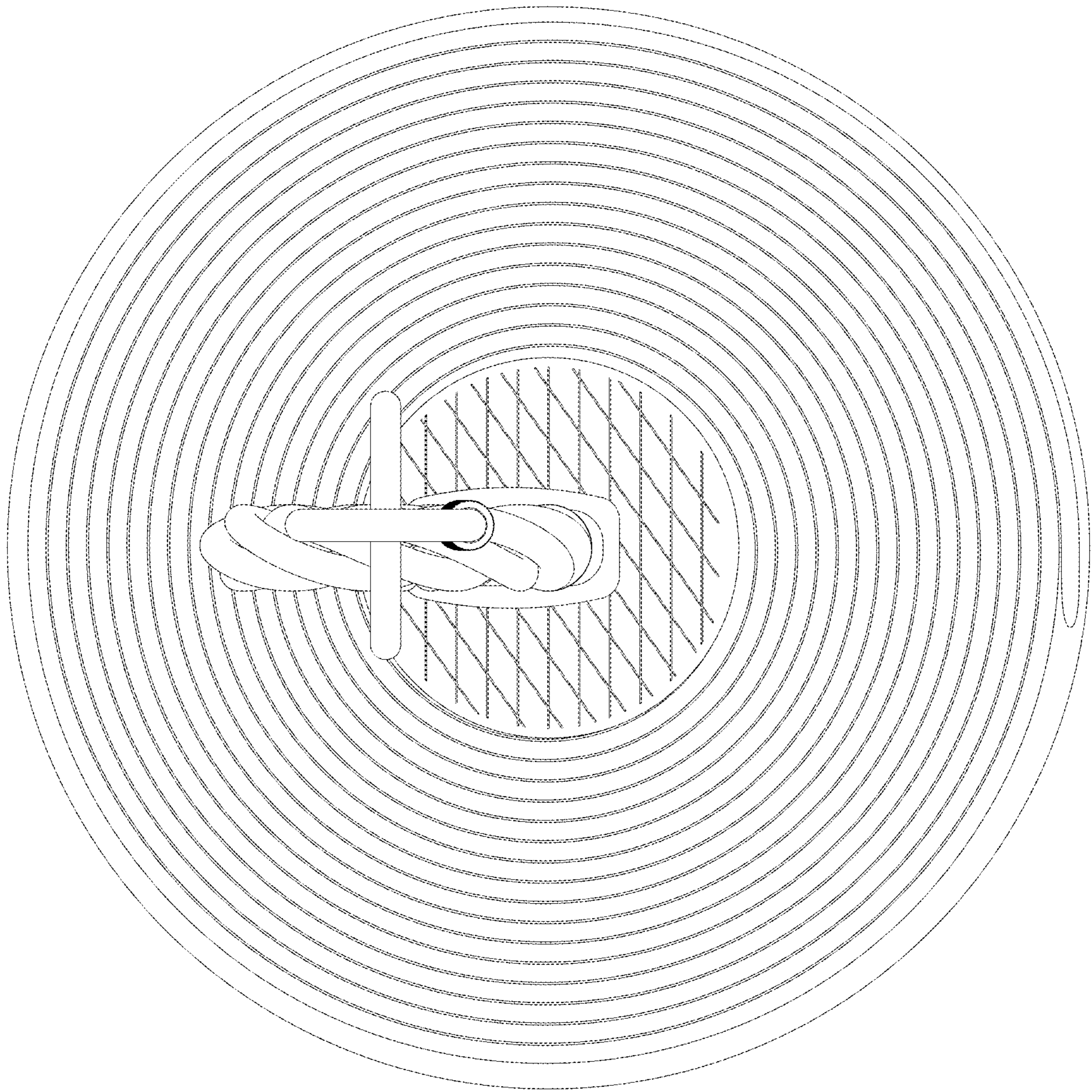


FIG. 12

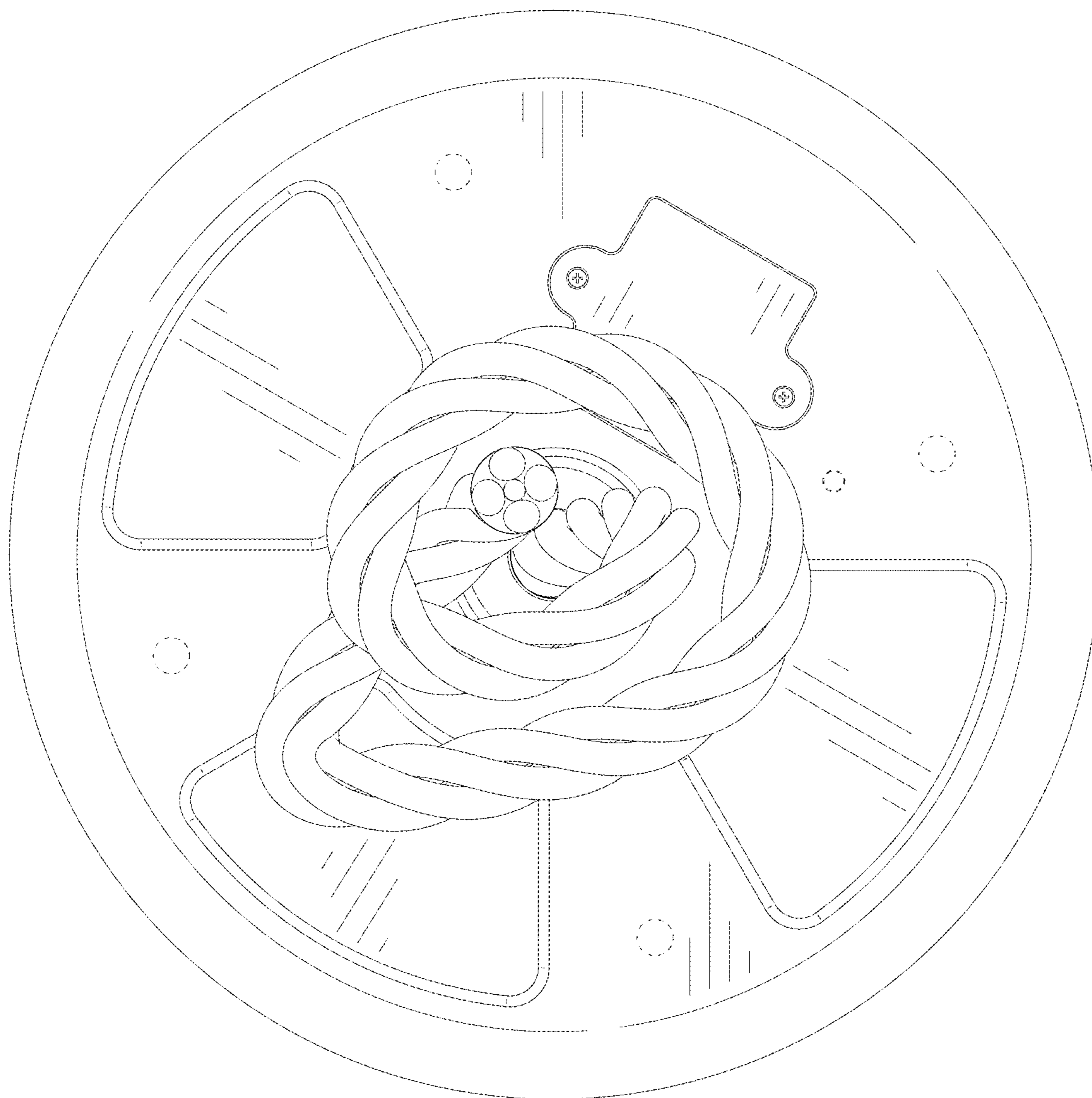


FIG. 13