



US00D941945S

(12) **United States Design Patent**  
**Nicolette et al.**

(10) **Patent No.:** **US D941,945 S**  
(45) **Date of Patent:** **\*\* Jan. 25, 2022**

- (54) **GOLF CLUB HEAD**
- (71) Applicant: **PARSONS XTREME GOLF, LLC**,  
Scottsdale, AZ (US)
- (72) Inventors: **Michael R. Nicolette**, Scottsdale, AZ  
(US); **Bradley D. Schweigert**, Cave  
Creek, AZ (US)
- (73) Assignee: **PARSONS XTREME GOLF, LLC**,  
Scottsdale, AZ (US)
- (\*\*) Term: **15 Years**
- (21) Appl. No.: **29/740,227**
- (22) Filed: **Jul. 1, 2020**

- 4,964,641 A 10/1990 Miesch et al.
- D313,451 S 1/1991 Shearer
- D335,317 S 5/1993 Shearer
- D335,692 S 5/1993 Antonious
- D336,757 S 6/1993 Antonious
- 5,275,412 A 1/1994 Innes
- D350,582 S 9/1994 Miansian et al.
- 5,390,919 A 2/1995 Stubbs et al.
- D356,131 S 3/1995 Trimble
- D360,444 S 7/1995 Takahashi et al.
- 5,429,366 A 7/1995 McCabe
- D363,101 S 10/1995 Sturm
- D364,665 S 11/1995 Goodrich
- D365,864 S 1/1996 Sturm
- 5,489,097 A 2/1996 Simmons
- D368,751 S 4/1996 Rife
- D369,393 S 4/1996 Takahashi et al.
- 5,571,053 A 11/1996 Lane
- D378,688 S 4/1997 Cameron
- D380,514 S 7/1997 Markley
- D385,609 S 10/1997 Cameron
- 5,683,307 A 11/1997 Rife
- D388,143 S 12/1997 Huan-Chiang
- D389,207 S 1/1998 Cameron
- D398,685 S 9/1998 Masuda
- 5,807,190 A 9/1998 Krumme et al.
- D399,290 S 10/1998 Sizemore, Jr.
- D399,911 S 10/1998 Nicolette et al.
- 5,839,974 A 11/1998 McAllister
- D402,724 S \* 12/1998 Minami ..... D21/743
- D405,836 S 2/1999 Nicolette et al.
- D409,701 S 5/1999 Ashcraft et al.
- D411,275 S 6/1999 Bottema et al.
- 5,924,938 A 7/1999 Hines
- D415,809 S 10/1999 Bottema et al.
- D416,062 S 11/1999 Solheim et al.
- D416,969 S 11/1999 Solheim et al.
- D416,970 S 11/1999 Solheim et al.
- 6,007,434 A 12/1999 Baker et al.
- D421,473 S 3/2000 Solheim et al.
- D422,655 S 4/2000 Hicks
- 6,050,903 A 4/2000 Lake
- D424,145 S \* 5/2000 Minami ..... D21/744
- D426,276 S 6/2000 Besnard et al.
- 6,089,993 A 7/2000 Woodward et al.
- D429,302 S 8/2000 Antonious
- 6,110,057 A 8/2000 McKinnon
- D430,914 S 9/2000 Antonious
- D431,853 S 10/2000 Antonious
- D431,854 S 10/2000 Cameron
- D432,192 S 10/2000 Hicks
- D436,151 S 1/2001 Nicolette et al.
- D437,374 S 2/2001 Cameron

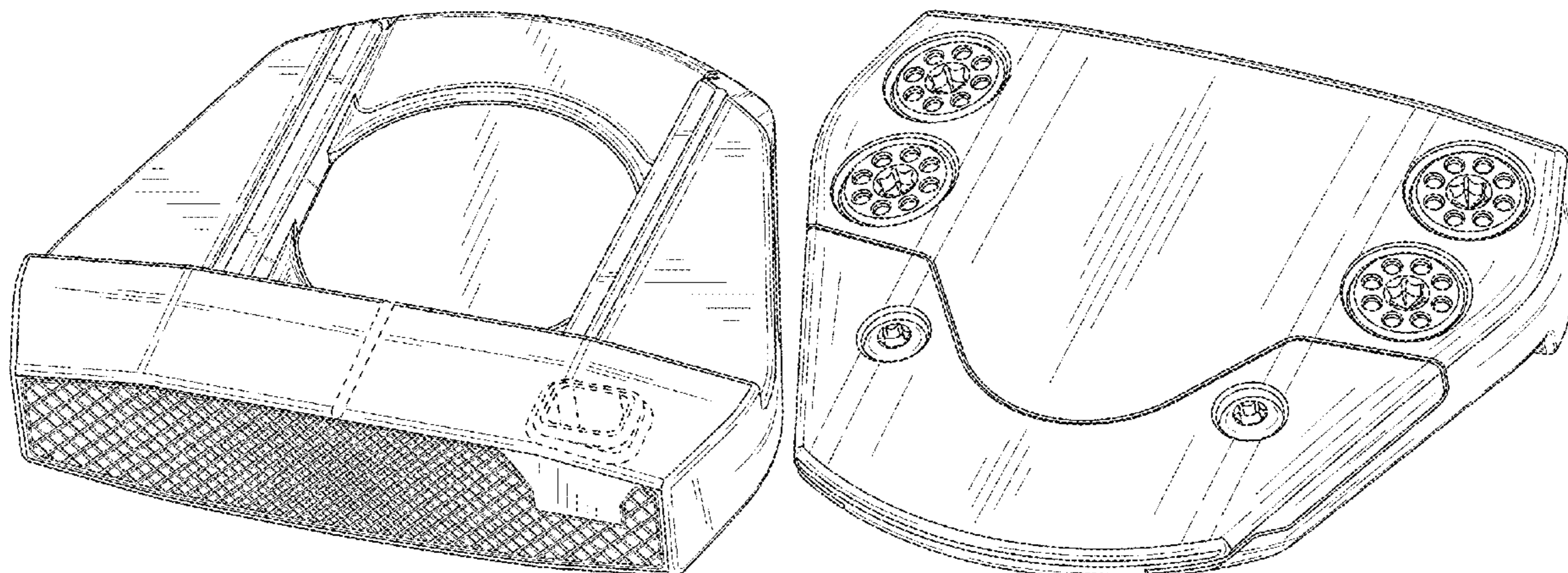
**Related U.S. Application Data**

- (63) Continuation-in-part of application No. 29/733,572,  
filed on May 4, 2020, now abandoned.
- (51) **LOC (13) Cl.** ..... **21-02**
- (52) **U.S. Cl.**  
USPC ..... **D21/736**
- (58) **Field of Classification Search**  
USPC ..... D21/736-746, 759  
CPC ..... A63B 53/00; A63B 53/04; A63B 53/007;  
A63B 53/065; A63B 53/048; A63B 60/00  
See application file for complete search history.

**References Cited**

**U.S. PATENT DOCUMENTS**

- 723,534 A 3/1903 Knight
- 922,444 A 5/1909 Youds
- 1,094,599 A 4/1914 Samson
- D57,980 S 5/1921 Kraeuter
- D63,284 S 11/1923 Challis
- RE19,178 E 5/1934 Spiker
- 4,043,562 A 8/1977 Shillington
- D248,783 S 8/1978 Long
- 4,340,230 A 7/1982 Churchward
- D281,092 S 10/1985 Mills
- 4,754,977 A 7/1988 Sahn
- 4,869,507 A 9/1989 Sahn



# US D941,945 S

D441,820 S	5/2001	Nicolette et al.		D633,964 S	3/2011	Teramoto	
D443,668 S	6/2001	Nicolette et al.		7,909,707 B2	3/2011	Klein	
D443,905 S	6/2001	Nicolette et al.		7,918,745 B2	4/2011	Morris et al.	
D444,833 S	7/2001	Wells et al.		7,927,226 B1	4/2011	Twitty	
D444,835 S	7/2001	Wahl et al.		D638,891 S	5/2011	Nicolette et al.	
6,257,994 B1	7/2001	Antonious		7,942,758 B2	5/2011	Nakamura	
6,264,571 B1	7/2001	Lekavich		D639,369 S	6/2011	Miyamichi	
D449,664 S	10/2001	Beebe		D642,643 S	8/2011	Nicolette et al.	
D449,865 S	10/2001	Fife, Jr. et al.		D643,485 S	8/2011	Nicolette et al.	
D450,799 S	11/2001	Nicolette et al.		D643,892 S	8/2011	McGrorty	
D451,973 S	12/2001	Wells et al.		D643,894 S *	8/2011	Price .....	D21/744
6,348,014 B1	2/2002	Chiu		D645,104 S	9/2011	Nicolette et al.	
6,354,959 B1	3/2002	Nicolette et al.		D645,923 S *	9/2011	Price .....	D21/736
6,394,910 B1	5/2002	McCarthy		8,096,039 B2	1/2012	Soracco et al.	
D472,949 S	4/2003	Serrano		D653,718 S	2/2012	Stokke et al.	
D474,821 S	5/2003	Wells et al.		D655,361 S	3/2012	Ramsauer	
D474,949 S	5/2003	Schaffeld et al.		D661,753 S	6/2012	Cameron et al.	
D482,087 S	11/2003	Burrows		D666,260 S	8/2012	Cynn	
6,652,390 B2	11/2003	Bradford		8,272,976 B2 *	9/2012	D'Agostino .....	A63B 53/0466 473/345
D483,086 S	12/2003	Schweigert et al.		D672,418 S	12/2012	Rollinson	
D486,539 S	2/2004	Burrows		8,371,958 B2	2/2013	Treadwell	
D486,872 S	2/2004	Schweigert et al.		8,376,878 B2	2/2013	Bennett et al.	
D488,200 S	4/2004	Olsavsky et al.		D681,756 S *	5/2013	Wong .....	D21/744
D490,487 S	5/2004	Burrows		D688,339 S	8/2013	Hilton et al.	
D498,276 S	11/2004	Schweigert et al.		D688,341 S	8/2013	Rollinson	
D500,823 S	1/2005	Aldrich		D691,226 S	10/2013	Hilton et al.	
6,902,496 B2	6/2005	Solheim et al.		8,608,590 B2	12/2013	Hackel et al.	
D511,801 S	11/2005	Garcia		D699,308 S	2/2014	Rollinson	
D512,114 S	11/2005	Garcia		8,696,492 B1	4/2014	Hocknell et al.	
D512,116 S	11/2005	Mirafior et al.		D704,782 S	5/2014	Rollinson	
6,988,955 B2	1/2006	Stoakes		8,721,472 B2	5/2014	Kuan et al.	
6,988,956 B2	1/2006	Cover et al.		8,777,775 B2 *	7/2014	Johnson .....	A63B 53/14 473/341
D520,088 S	5/2006	Parr					
7,059,971 B1 *	6/2006	Schmitt .....	A63B 60/50 473/285				
				8,790,193 B2	7/2014	Serrano et al.	
D531,242 S	10/2006	Adams		D711,483 S	8/2014	Wong	
7,125,341 B1	10/2006	Eath		D715,388 S	10/2014	Serrano et al.	
D532,067 S	11/2006	Soracco et al.		D722,350 S	2/2015	Schweigert	
7,153,220 B2	12/2006	Lo		D722,351 S	2/2015	Parsons et al.	
D534,595 S	1/2007	Hasebe		D722,352 S	2/2015	Nicolette et al.	
7,156,752 B1	1/2007	Bennett		D723,120 S	2/2015	Nicolette	
D536,401 S	2/2007	Kawami		D724,164 S	3/2015	Schweigert et al.	
D536,403 S	2/2007	Kawami		D725,208 S	3/2015	Schweigert	
D537,898 S	3/2007	Kuan et al.		D726,265 S	4/2015	Nicolette	
D538,371 S	3/2007	Kawami		D726,270 S *	4/2015	Rollinson .....	D21/759
7,204,765 B2	4/2007	Cover et al.		D726,846 S	4/2015	Schweigert	
D542,869 S	5/2007	Adams		D730,462 S	5/2015	Becktor et al.	
D543,598 S	5/2007	Kuan et al.		D732,122 S	6/2015	Becktor	
D543,601 S	5/2007	Kawami		D732,618 S	6/2015	Becktor et al.	
D555,219 S	11/2007	Lin		D733,234 S	6/2015	Nicolette	
D556,277 S	11/2007	Broom		D735,283 S	7/2015	Solheim et al.	
7,309,297 B1	12/2007	Solari		D738,447 S	9/2015	Schweigert	
D561,854 S	2/2008	Morris		D738,449 S	9/2015	Schweigert	
7,331,876 B2	2/2008	Klein		D739,487 S	9/2015	Schweigert	
7,351,162 B2	4/2008	Soracco et al.		D741,426 S	10/2015	Schweigert	
D569,461 S	5/2008	Morris		D741,428 S *	10/2015	Wong .....	D21/745
D569,930 S	5/2008	Nehrbas		D746,926 S	1/2016	Parsons et al.	
D572,325 S *	7/2008	Baer .....	D21/746	D748,213 S	1/2016	Parsons et al.	
7,396,289 B2	7/2008	Soracco et al.		D748,215 S	1/2016	Parsons et al.	
D577,085 S	9/2008	Nicolette et al.		9,233,283 B2	1/2016	Schweiger	
D577,086 S	9/2008	Nicolette et al.		9,265,996 B1	2/2016	Abbott et al.	
D579,506 S	10/2008	Nicolette et al.		D752,697 S	3/2016	Claveran	
D579,995 S	11/2008	Nicolette et al.		D753,252 S	4/2016	Schweigert	
D582,497 S	12/2008	Rollinson		9,440,124 B2	9/2016	Parsons et al.	
7,473,189 B2	1/2009	Schweigert et al.		9,498,685 B2	11/2016	Abbott et al.	
7,491,131 B2	2/2009	Vinton		9,566,484 B1	2/2017	Abbott et al.	
D594,921 S	6/2009	Bettinardi		D791,891 S	7/2017	Davis	
D595,793 S	7/2009	Rollinson		D794,146 S	8/2017	Davis	
D599,425 S	9/2009	Laub		D798,975 S	10/2017	Becktor	
D599,867 S	9/2009	Teramoto		D798,976 S	10/2017	Becktor	
D600,763 S	9/2009	Cameron		D798,977 S	10/2017	Becktor	
D601,214 S	9/2009	Serrano et al.		D798,978 S	10/2017	Becktor	
D607,951 S	1/2010	Teramoto		D798,979 S	10/2017	Becktor	
7,744,485 B2	6/2010	Jones et al.		D798,980 S	10/2017	Becktor	
D620,993 S	8/2010	Laub		D798,981 S	10/2017	Becktor et al.	
D621,461 S	8/2010	Serrano et al.		D799,619 S	10/2017	Becktor et al.	
D623,709 S	9/2010	Serrano et al.		D802,073 S	11/2017	Toulon	
D631,925 S	2/2011	Broom		D812,163 S	3/2018	Kroloff	
7,887,432 B2	2/2011	Jones et al.		9,987,530 B2	6/2018	Jertson et al.	

10,173,105	B2	1/2019	Myers et al.
D839,977	S	2/2019	Rollinson et al.
D847,923	S *	5/2019	Wang ..... D21/736
D908,826	S *	1/2021	Clarke ..... D21/736
2004/0138003	A1	7/2004	Grace
2004/0180730	A1	9/2004	Franklin et al.
2006/0052178	A1	3/2006	Franklin et al.
2006/0094522	A1	5/2006	Tang et al.
2006/0223649	A1	10/2006	Rife
2007/0129163	A1	6/2007	Solari
2007/0135229	A1	6/2007	Lo et al.
2007/0142122	A1	6/2007	Bonneau
2007/0207875	A1	9/2007	Kuan et al.
2007/0238548	A1	10/2007	Johnson
2008/0139333	A1	6/2008	Klein
2008/0146372	A1	6/2008	John
2008/0176672	A1	7/2008	Roach et al.
2009/0029800	A1	1/2009	Jones et al.
2010/0255922	A1	10/2010	Lueders
2011/0165959	A1	7/2011	Klein
2013/0165256	A1	6/2013	Stevenson
2013/0210537	A1	8/2013	Ainscough et al.
2015/0057100	A1	2/2015	Serrano et al.
2015/0258390	A1	9/2015	DeFrancesco, Jr.
2015/0306477	A1	10/2015	Parsons et al.
2016/0016050	A1	1/2016	Rife
2018/0001163	A1	1/2018	Becktor et al.

FOREIGN PATENT DOCUMENTS

JP	2004223184	A	8/2004
JP	2005160691	A	6/2005
KR	200377377	Y1	3/2005
KR	200403045	Y1	12/2005
KR	20100065481	A	6/2010
KR	101773069	B1	8/2017

OTHER PUBLICATIONS

International Search Report and Written Opinion issued in connection with corresponding application No. PCT/US15/27841 dated Jul. 30, 2015 (14 pages).

Plugged In Golf (2015 Bettinardi Putters Review) [online]. Mar. 3, 2015, [retrieve Nov. 25, 2019] Retrieve from the internet.

TourSpecGolf (Gold's Factory Multi Weighted Custom Putter), Published Nov. 20, 2010 [http://blog.tourSpecgolf.com/golds-factory-multi-weighted-custom-putter/], Retrieved May 17, 2020.

U.S. Appl. No. 29/523,587, Schweigert, "Golf Club Head," filed Apr. 10, 2015.

\* cited by examiner

Primary Examiner — Mitchell I. Siegel

(57)

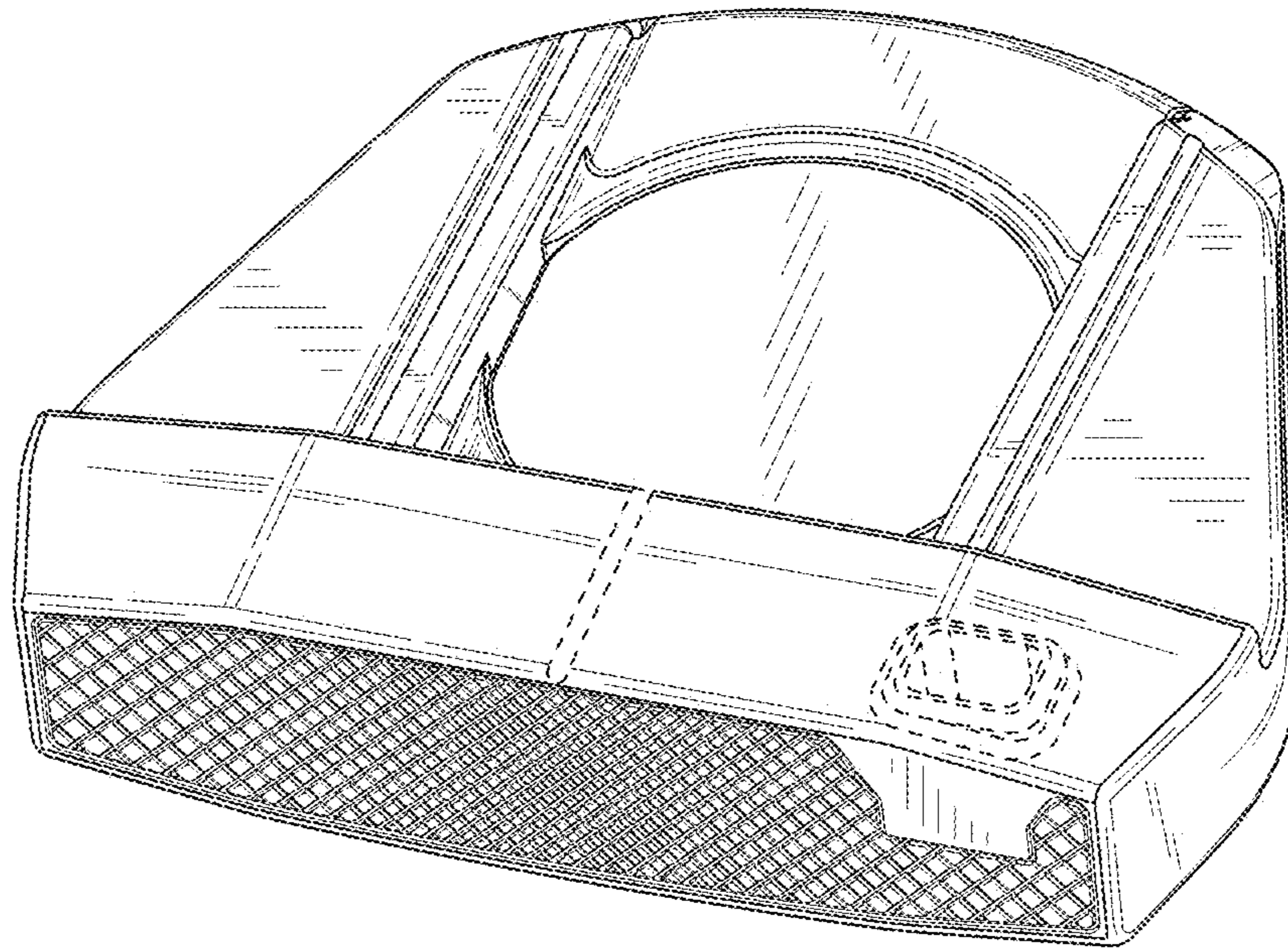
CLAIM

The ornamental design for a golf club head, as shown and described.

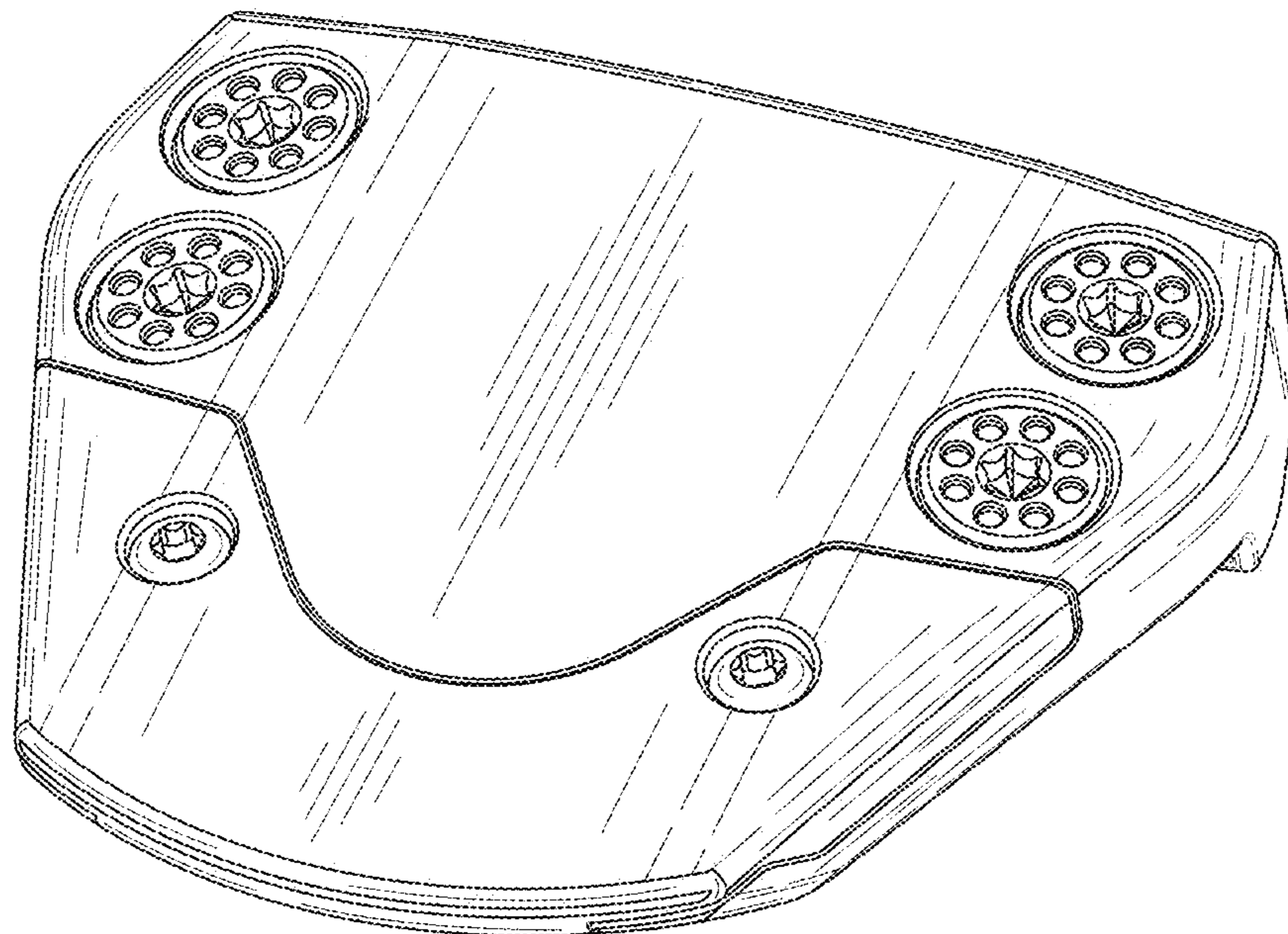
DESCRIPTION

FIG. 1 is a top perspective view of a golf club head; FIG. 2 is a bottom perspective view of the golf club head of FIG. 1; FIG. 3 is a front elevational view of the golf club head of FIG. 1; FIG. 4 is a rear elevational view of the golf club head of FIG. 1; FIG. 5 is a top view of the golf club head of FIG. 1; FIG. 6 is a bottom view of the golf club head of FIG. 1; FIG. 7 is a left side view of the golf club head of FIG. 1; FIG. 8 is a right side view of the golf club head of FIG. 1; FIG. 9 is a top perspective view of a second embodiment of a golf club head; FIG. 10 is a bottom perspective view of the golf club head of FIG. 9; FIG. 11 is a front elevational view of the golf club head of FIG. 9; FIG. 12 is a rear elevational view of the golf club head of FIG. 9; FIG. 13 is a top view of the golf club head of FIG. 9; FIG. 14 is a bottom view of the golf club head of FIG. 9; FIG. 15 is a left side view of the golf club head of FIG. 9; FIG. 16 is a right side view of the golf club head of FIG. 9; FIG. 17 is a top perspective view of a third embodiment of a golf club head; FIG. 18 is a bottom perspective view of the golf club head of FIG. 17; FIG. 19 is a front elevational view of the golf club head of FIG. 17; FIG. 20 is a rear elevational view of the golf club head of FIG. 17; FIG. 21 is a top view of the golf club head of FIG. 17; FIG. 22 is a bottom view of the golf club head of FIG. 17; FIG. 23 is a left side view of the golf club head of FIG. 17; and, FIG. 24 is a right side view of the golf club head of FIG. 17. The broken line showing is included for the purpose of illustrating unclaimed subject matter and forms no part of the claimed design.

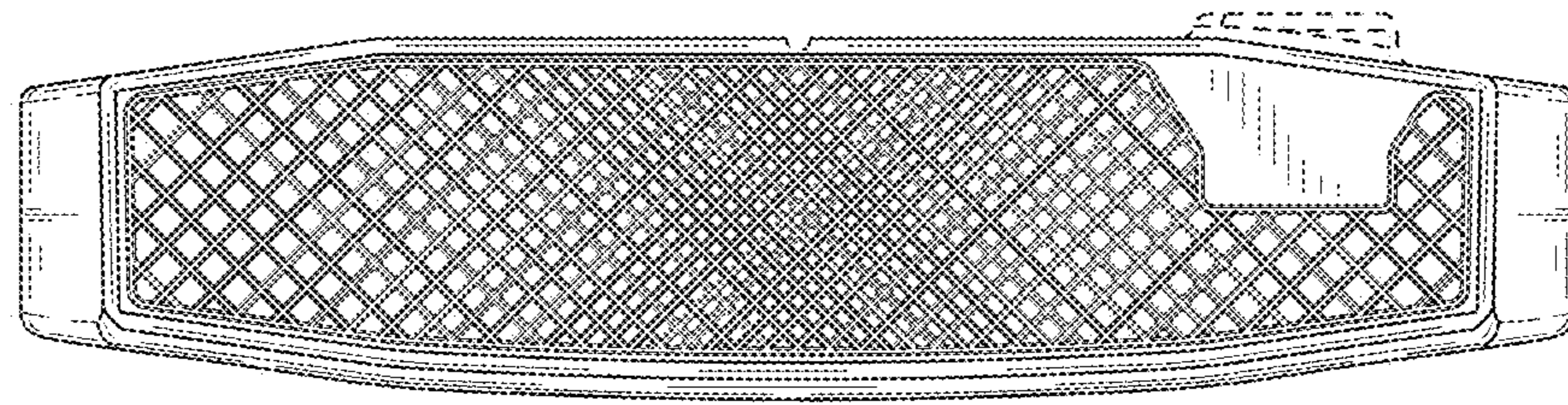
1 Claim, 12 Drawing Sheets



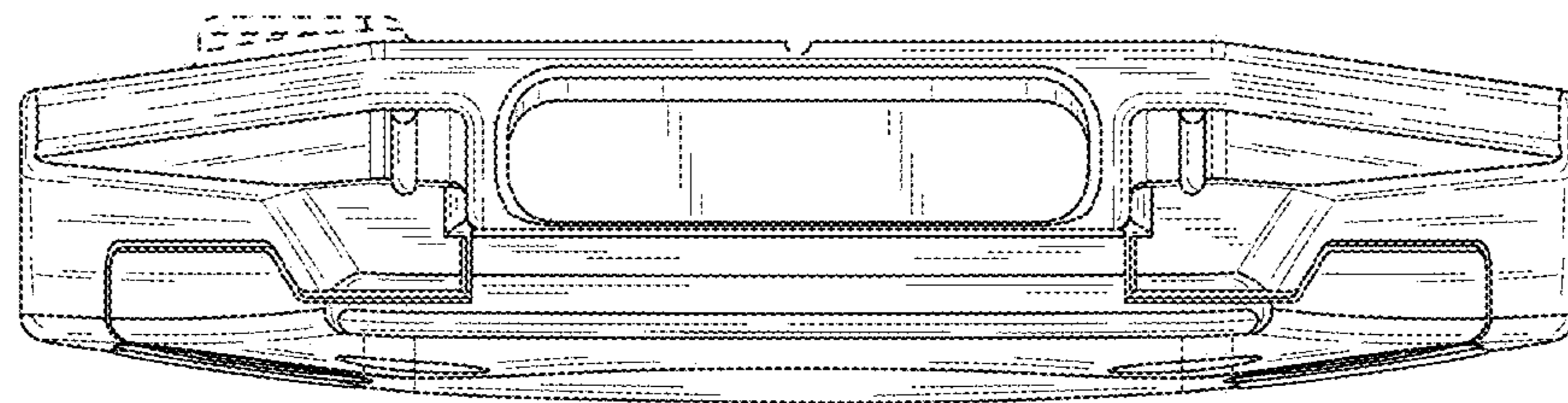
**FIG. 1**



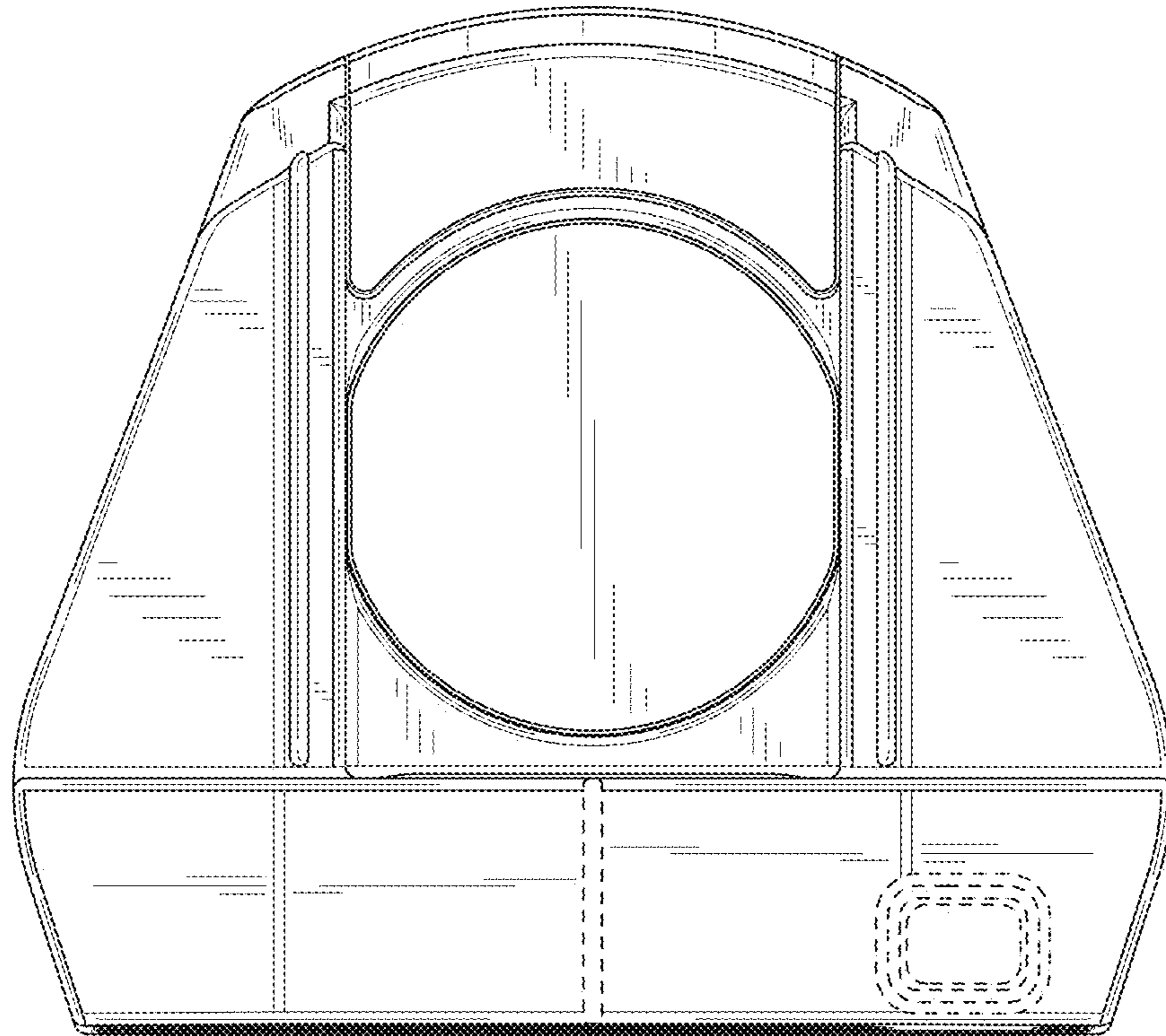
**FIG. 2**



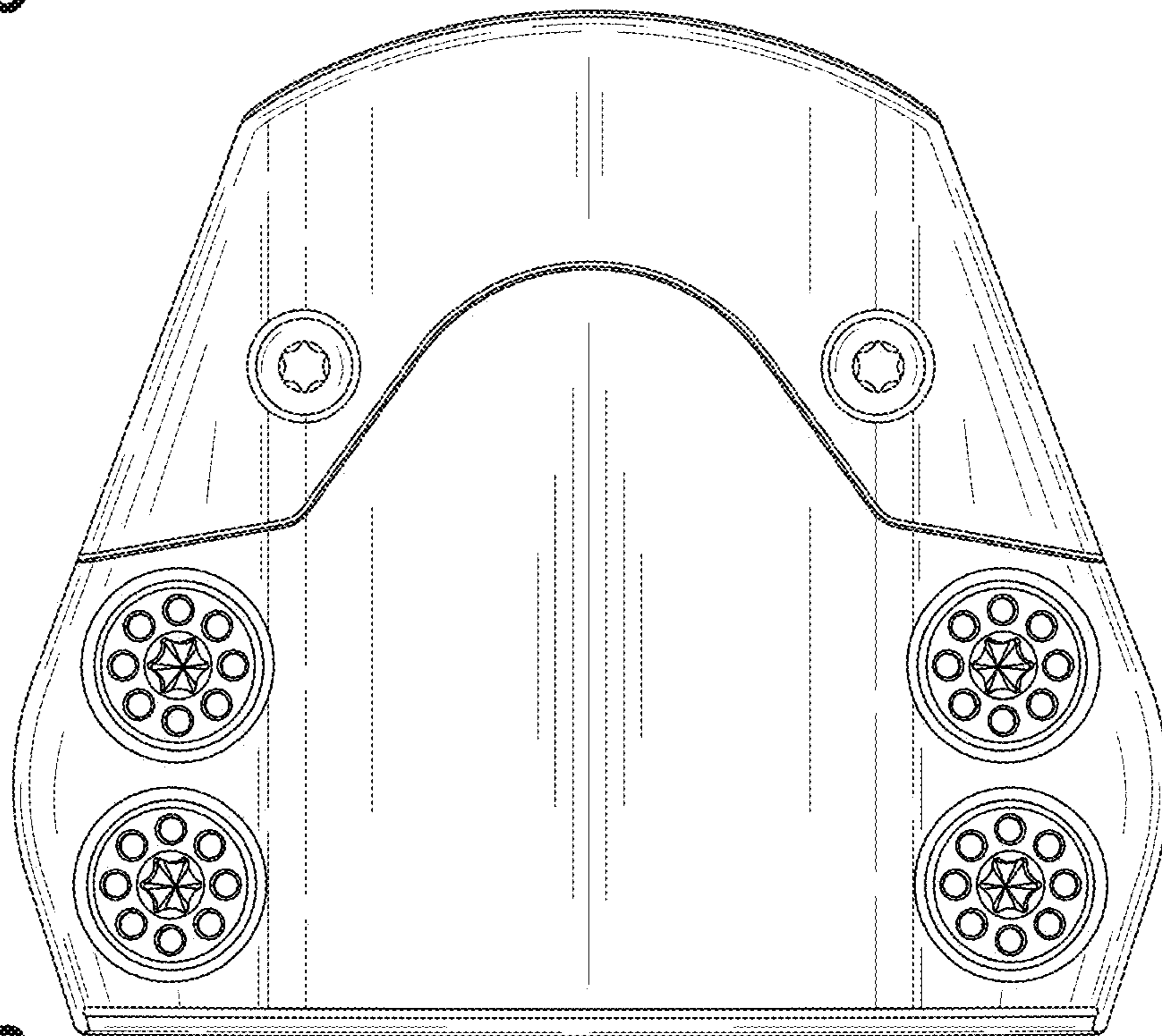
**FIG. 3**



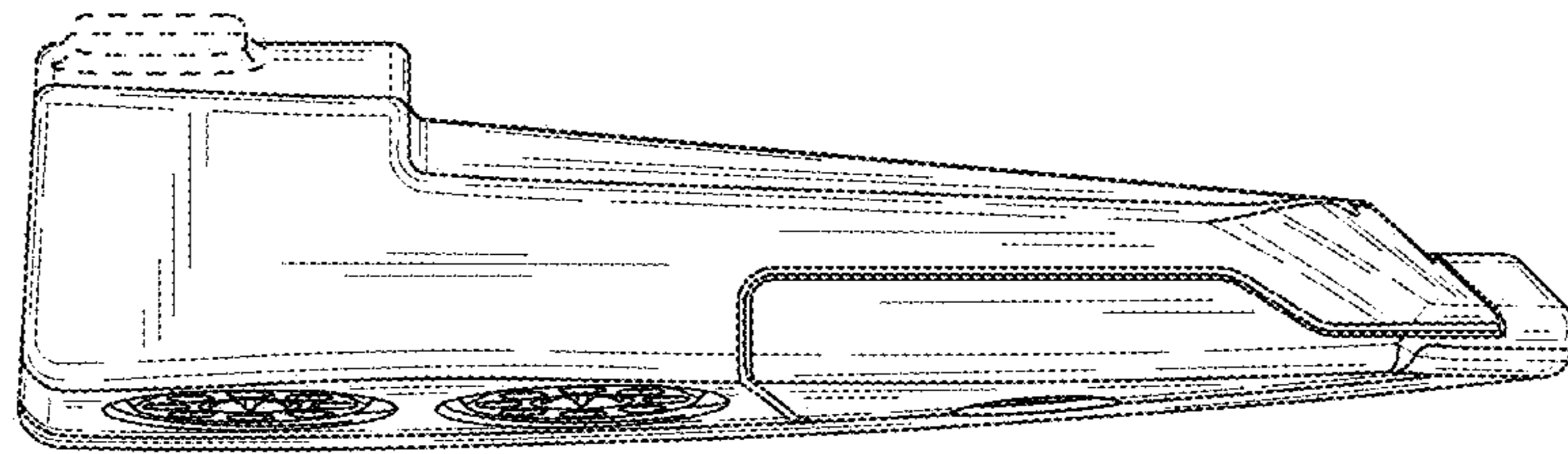
**FIG. 4**



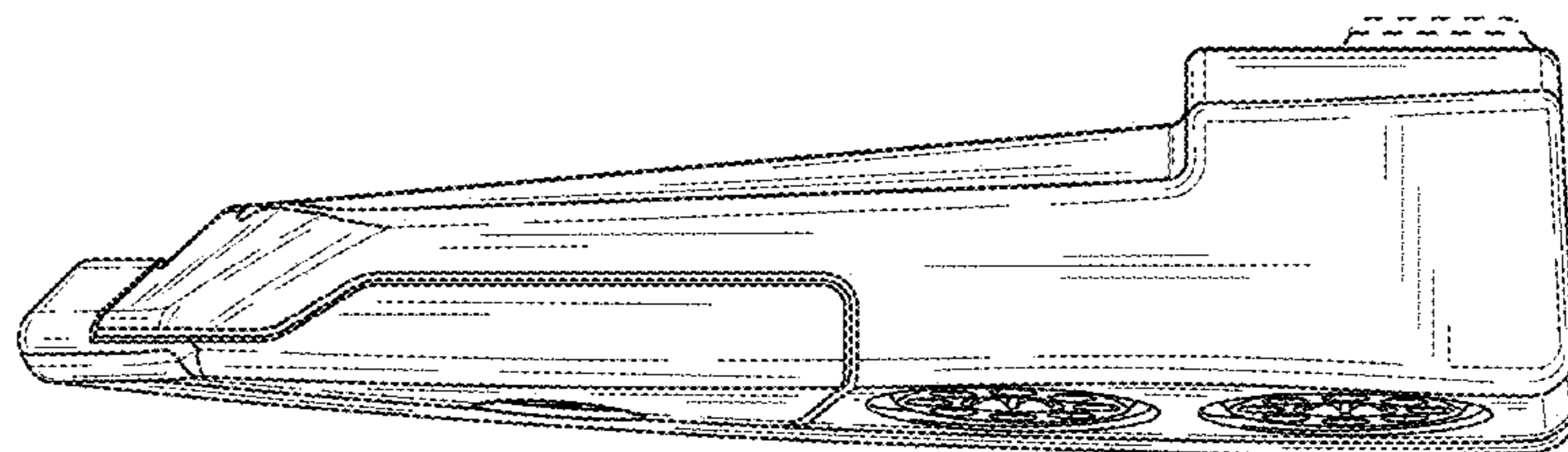
**FIG. 5**



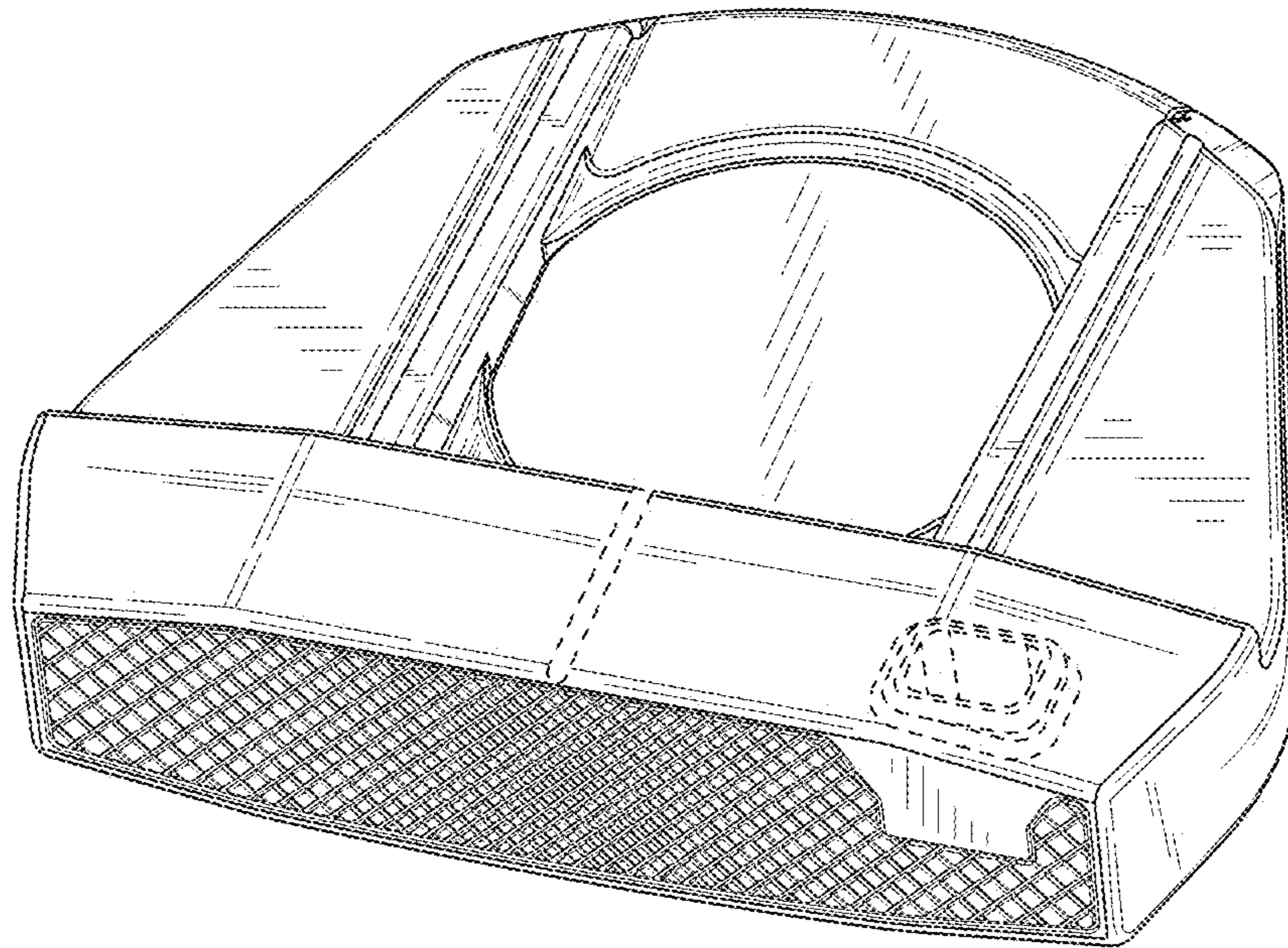
**FIG. 6**



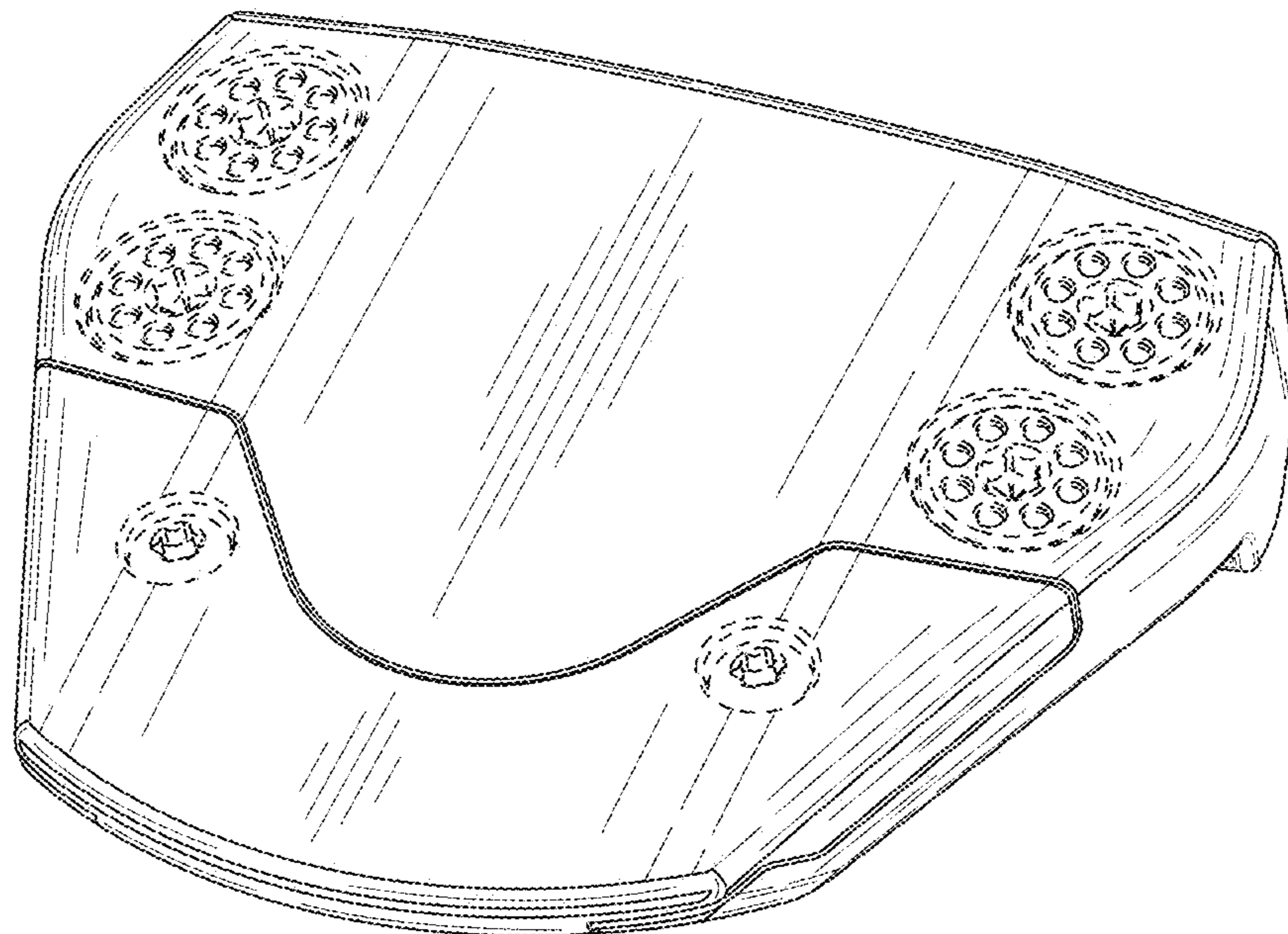
**FIG. 7**



**FIG. 8**

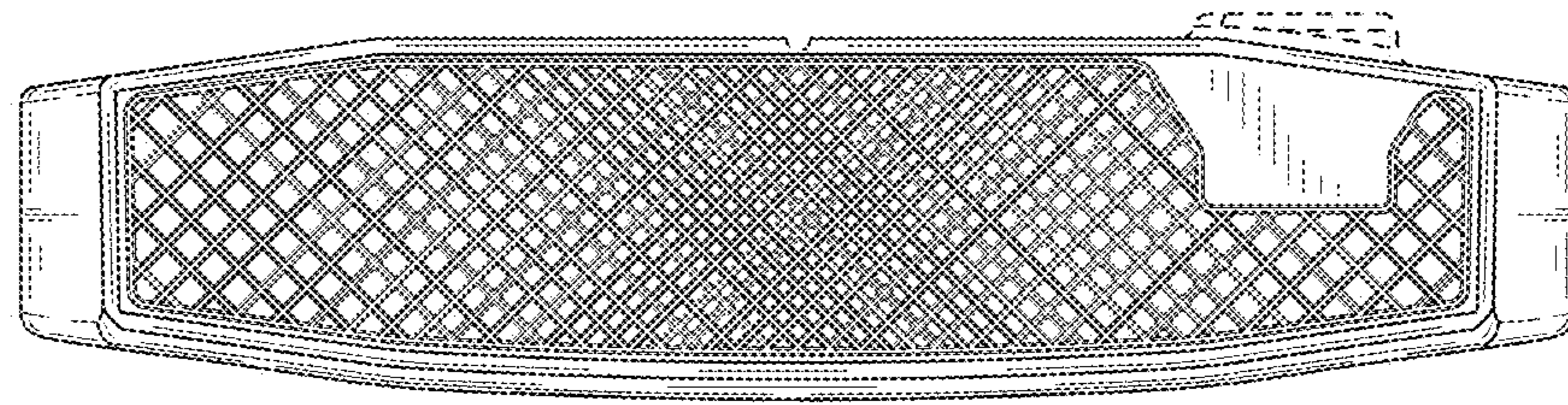


**FIG. 9**

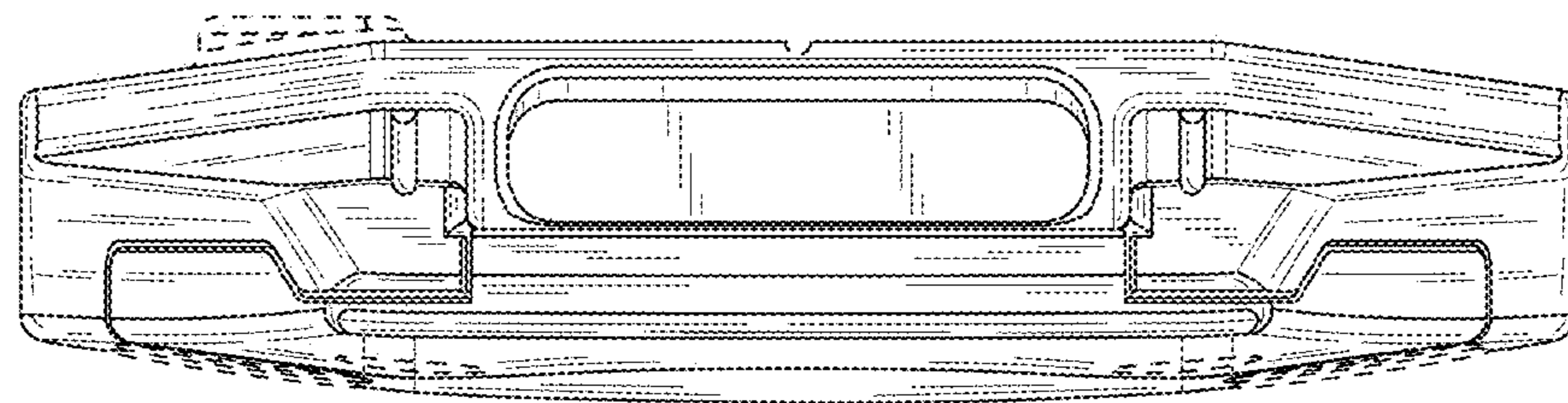


**FIG. 10**

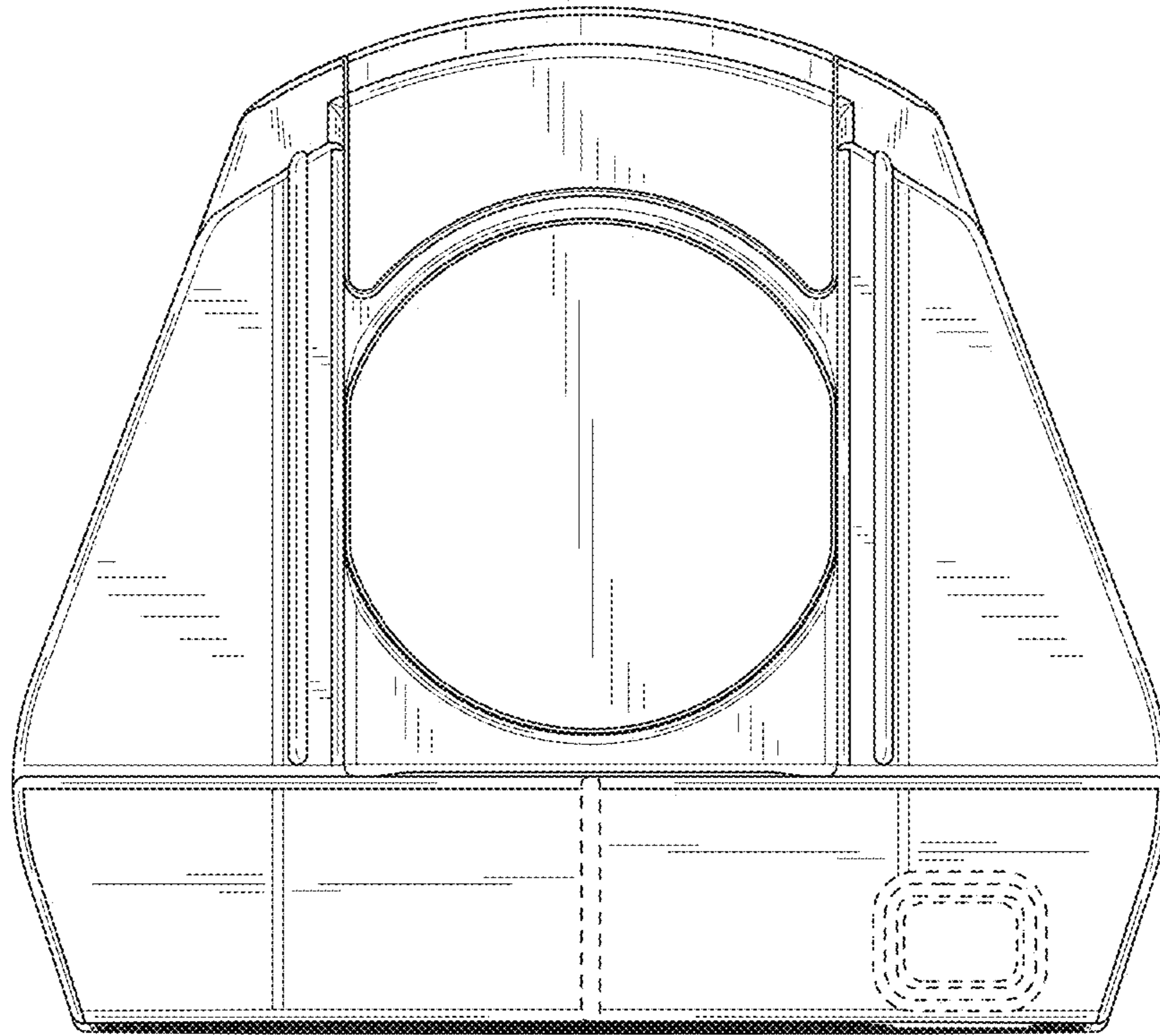




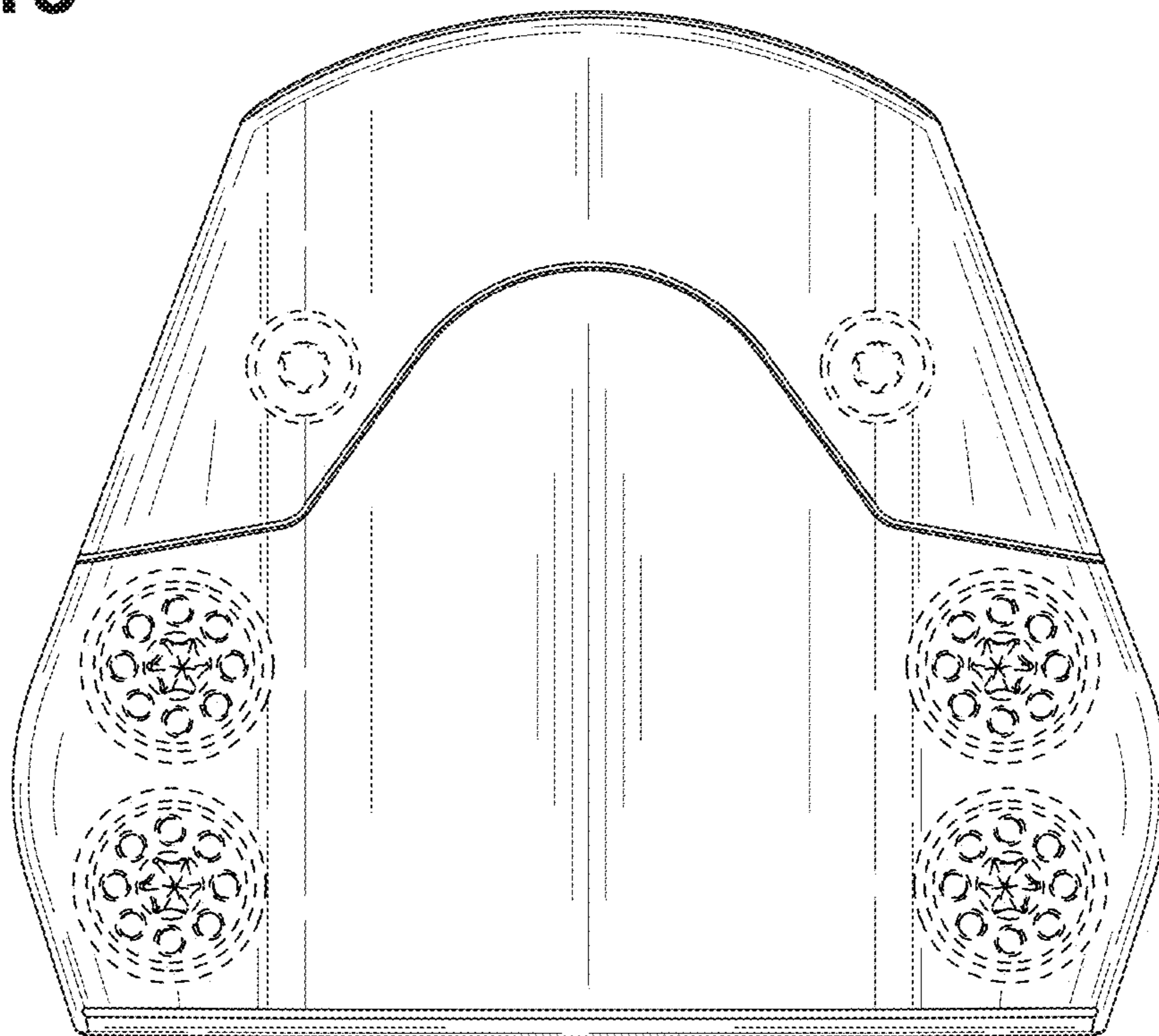
**FIG. 11**



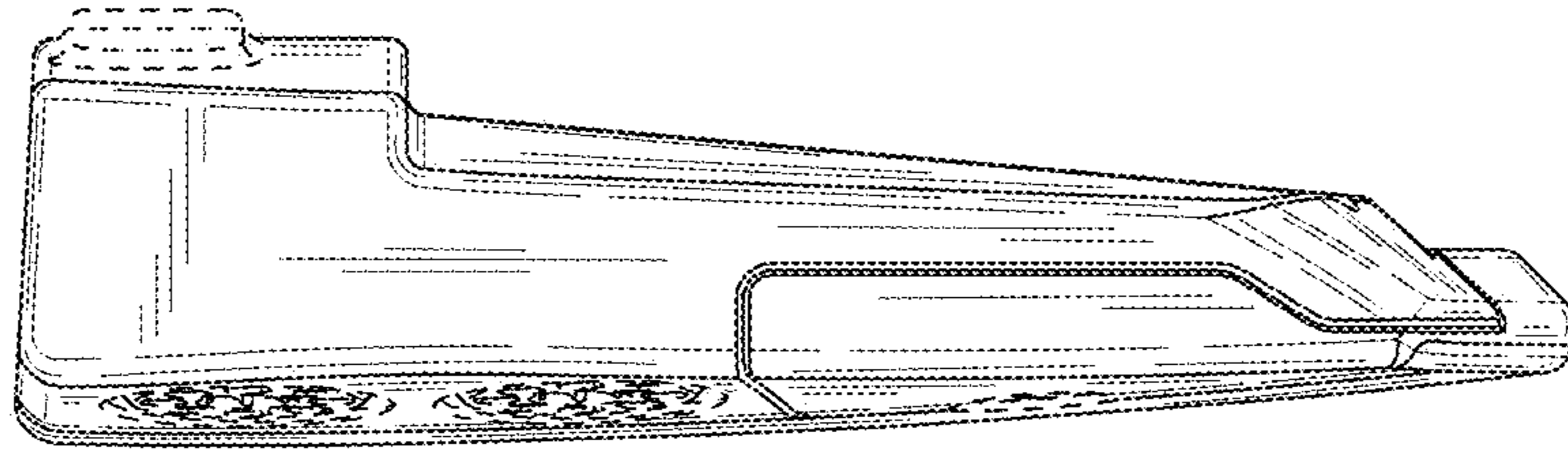
**FIG. 12**



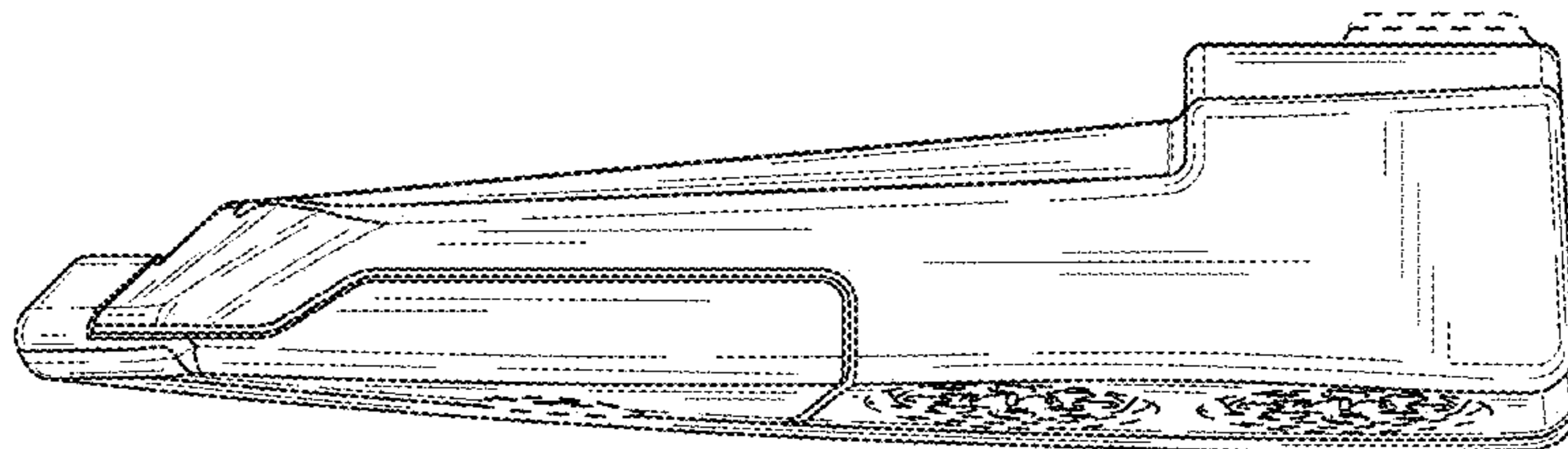
**FIG. 13**



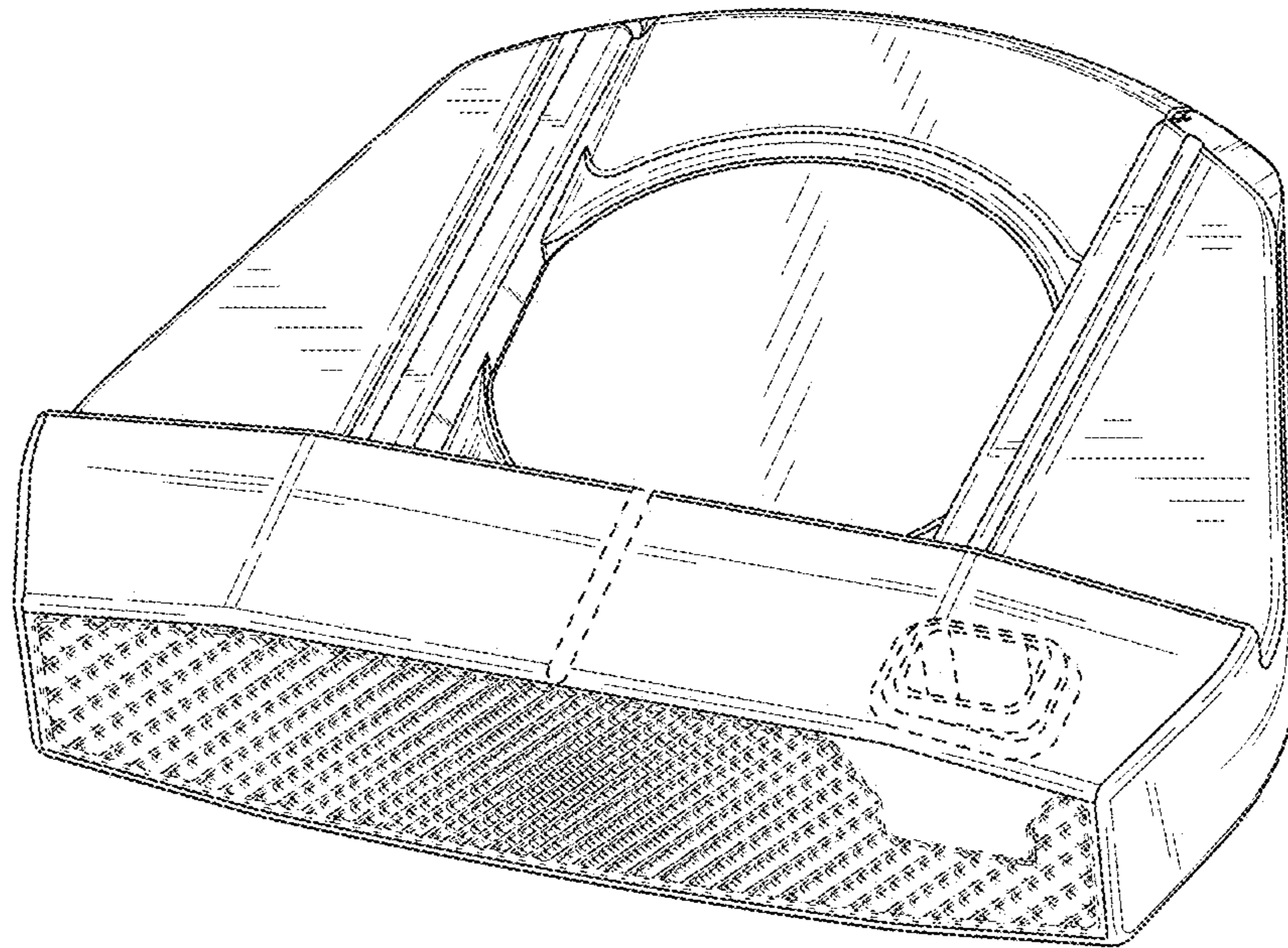
**FIG. 14**



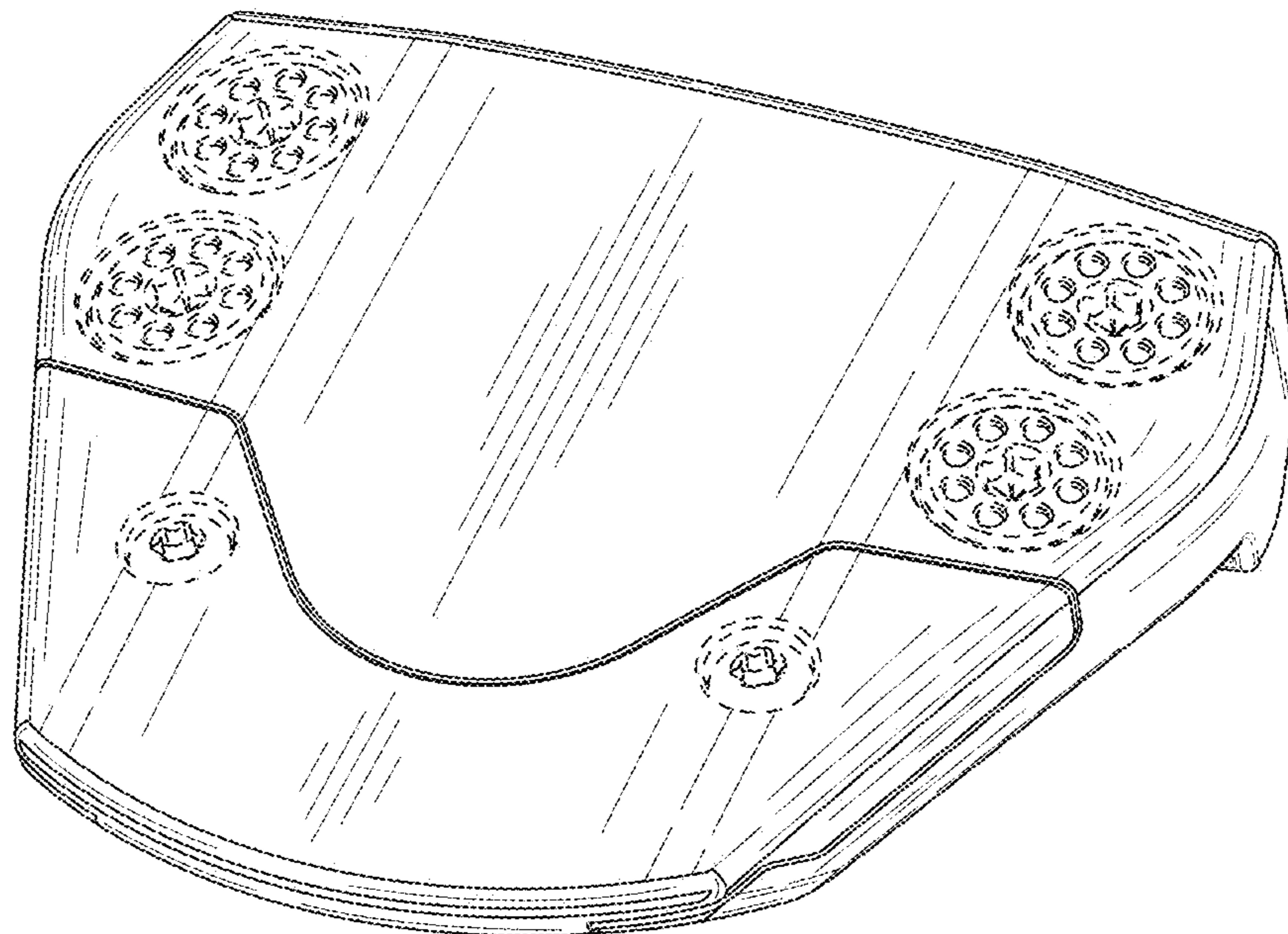
**FIG. 15**



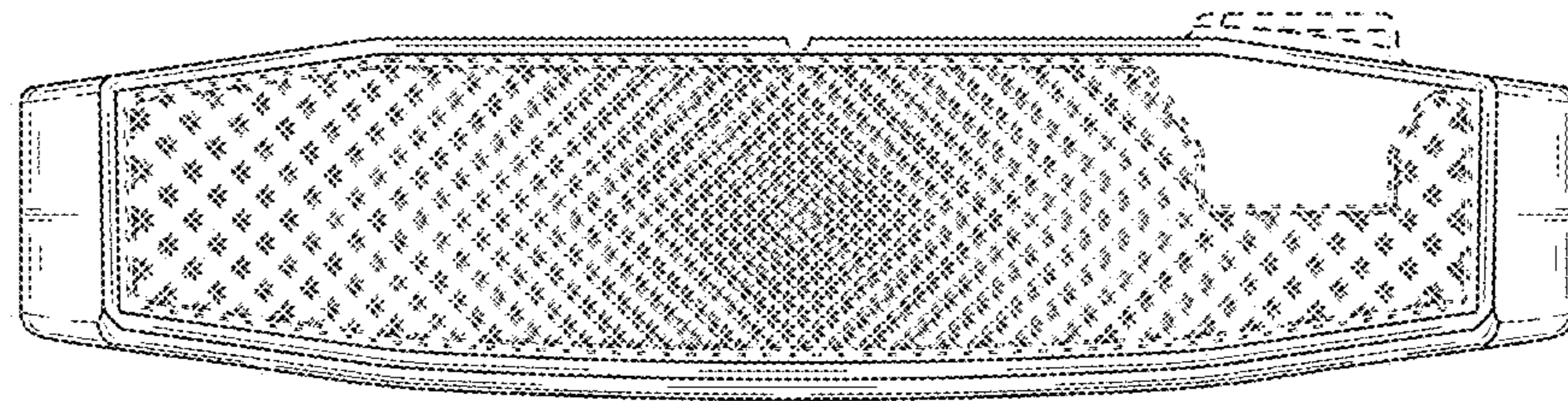
**FIG. 16**



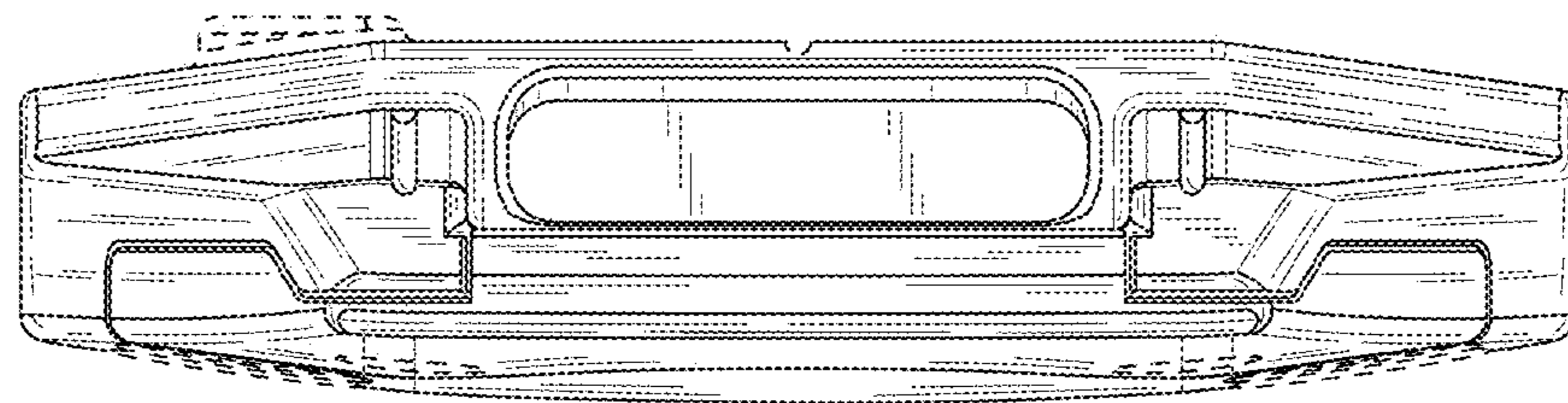
**FIG. 17**



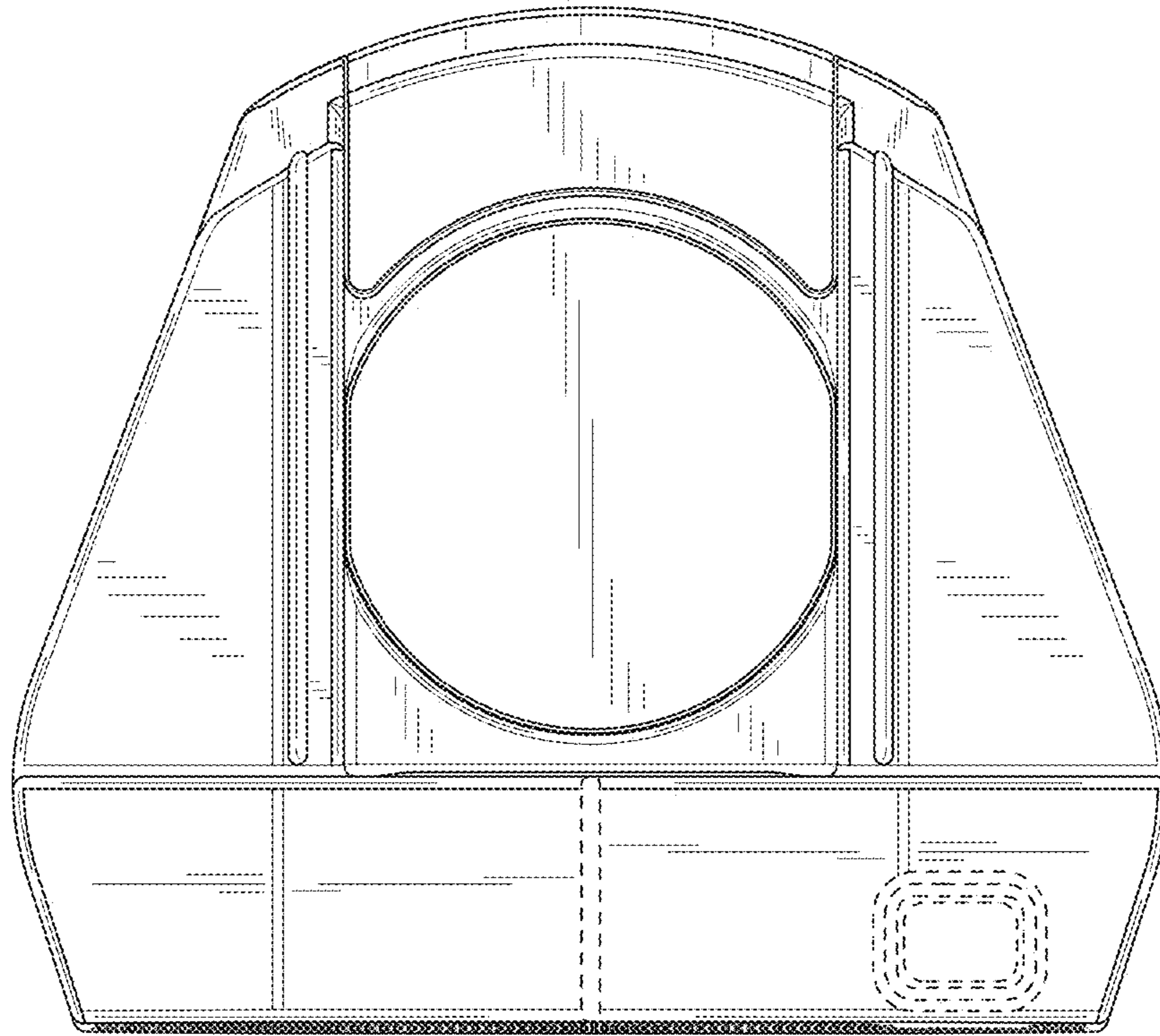
**FIG. 18**



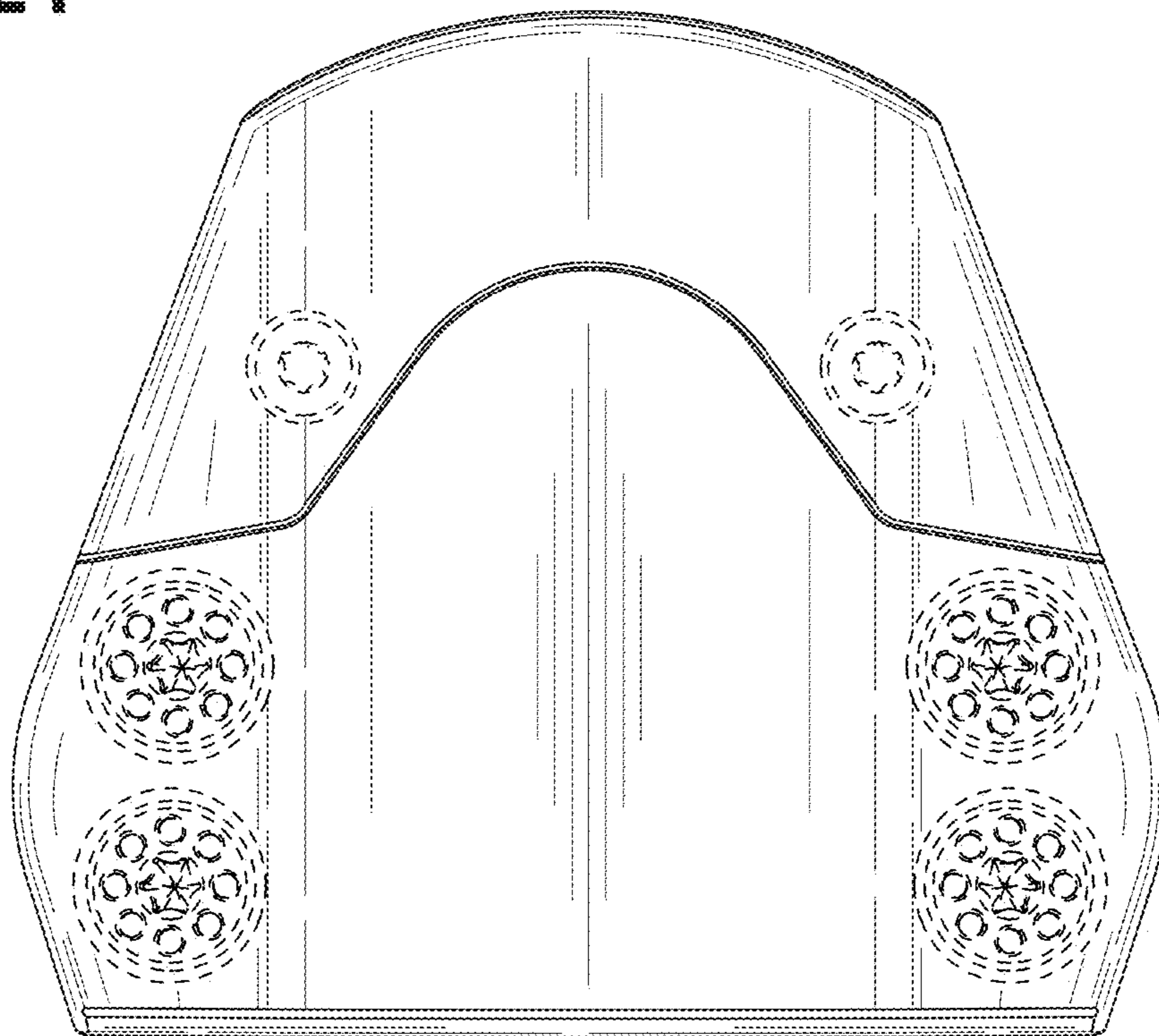
**FIG. 19**



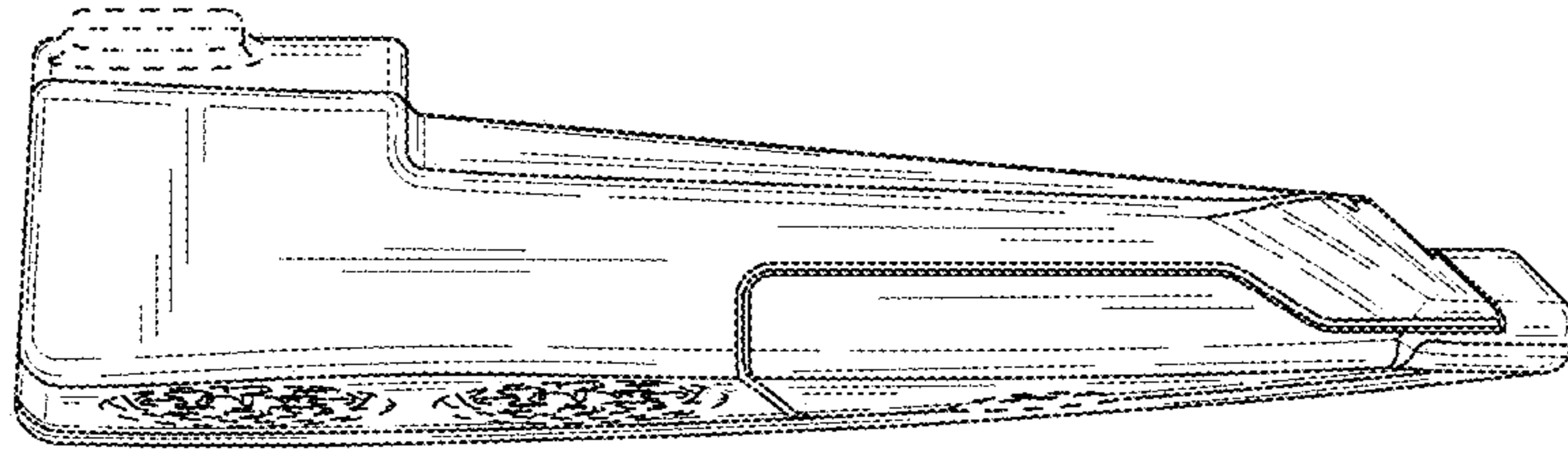
**FIG. 20**



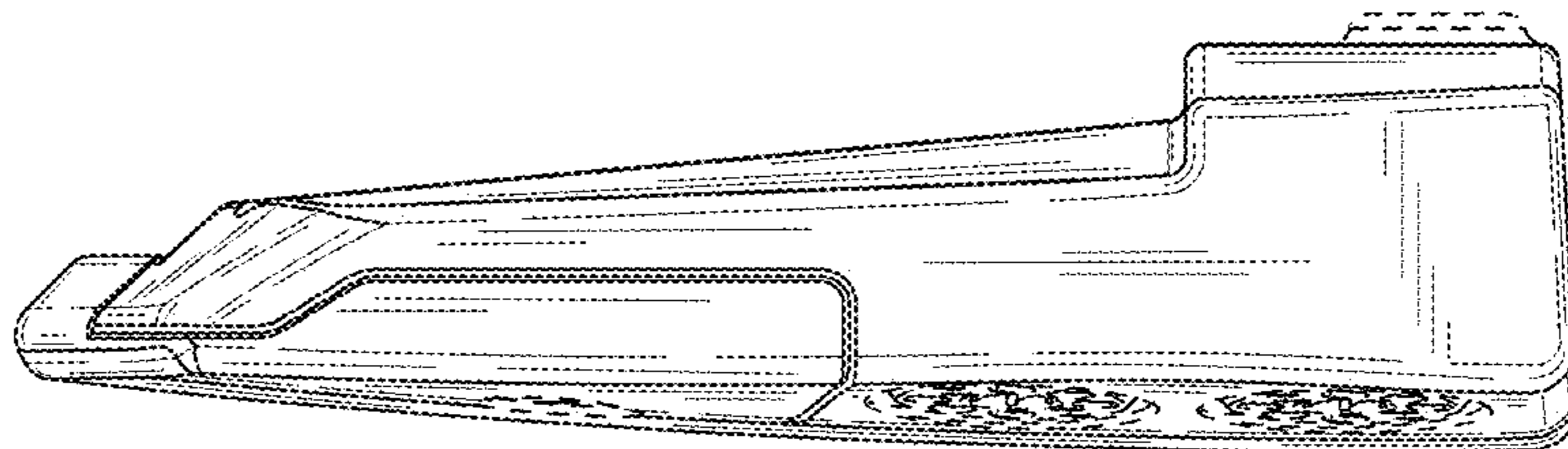
**FIG. 21**



**FIG. 22**



**FIG. 23**



**FIG. 24**