



US00D941944S

(12) **United States Design Patent** (10) **Patent No.:** **US D941,944 S**
Jones et al. (45) **Date of Patent:** **** Jan. 25, 2022**

(54) **EXERCISE BIKE**

FOREIGN PATENT DOCUMENTS

(71) Applicant: **Coulter Ventures, LLC.**, Columbus, OH (US)

EM 001622945-0007 10/2009
EM 002248963-0001 7/2013

(Continued)

(72) Inventors: **Dylan Jones**, Santa Barbara, CA (US);
Matt Dubberley, Santa Barbara, CA (US); **Patrick Burgess**, Cullowhee, NC (US)

OTHER PUBLICATIONS

Rogue Echo Bike product advertisement from <https://www.youtube.com/watch?v=9xfUu652CMg>, dated Dec. 26, 2017.

(Continued)

(73) Assignee: **Coulter Ventures, LLC.**, Columbus, OH (US)

Primary Examiner — Ryan Harvey

(**) Term: **15 Years**

(74) *Attorney, Agent, or Firm* — Banner & Witcoff, Ltd.

(21) Appl. No.: **29/741,408**

(22) Filed: **Jul. 13, 2020**

(57) **CLAIM**

Related U.S. Application Data

The ornamental design for an exercise bike, as shown and described.

(63) Continuation of application No. 29/715,475, filed on Dec. 2, 2019, now Pat. No. Des. 890,272, which is a (Continued)

(51) **LOC (13) Cl.** **21-02**

(52) **U.S. Cl.**
USPC **D21/697**

(58) **Field of Classification Search**
USPC D21/663, 667, 666, 697, 694, 665, 668, D21/664, 690, 676, 670; 482/57, 62, 482/111, 139, 145, 60, 51, 123, 72, 61, 482/58, 9; 74/502.4, 502.6, 594.2, 594.1, 74/48; D12/178, 411, 345; D23/382, D23/381, 378, 412, 411; D13/115; D15/7

(Continued)

DESCRIPTION

FIG. 1 is a top, front, left perspective view of an exercise bike showing our new design;
FIG. 2 is a top, front, right perspective view thereof;
FIG. 3 is a rear view thereof;
FIG. 4 is a front view thereof;
FIG. 5 is a left side view thereof;
FIG. 6 is a right side view thereof;
FIG. 7 is a top view thereof;
FIG. 8 is a top, rear, left perspective view thereof; and,
FIG. 9 is a top, rear, right perspective view thereof.
The broken lines immediately adjacent to the shaded area define the bounds of the claimed design and form no part thereof. The broken lines depicting the remainder of the exercise bike show features that form no part of the claimed design.

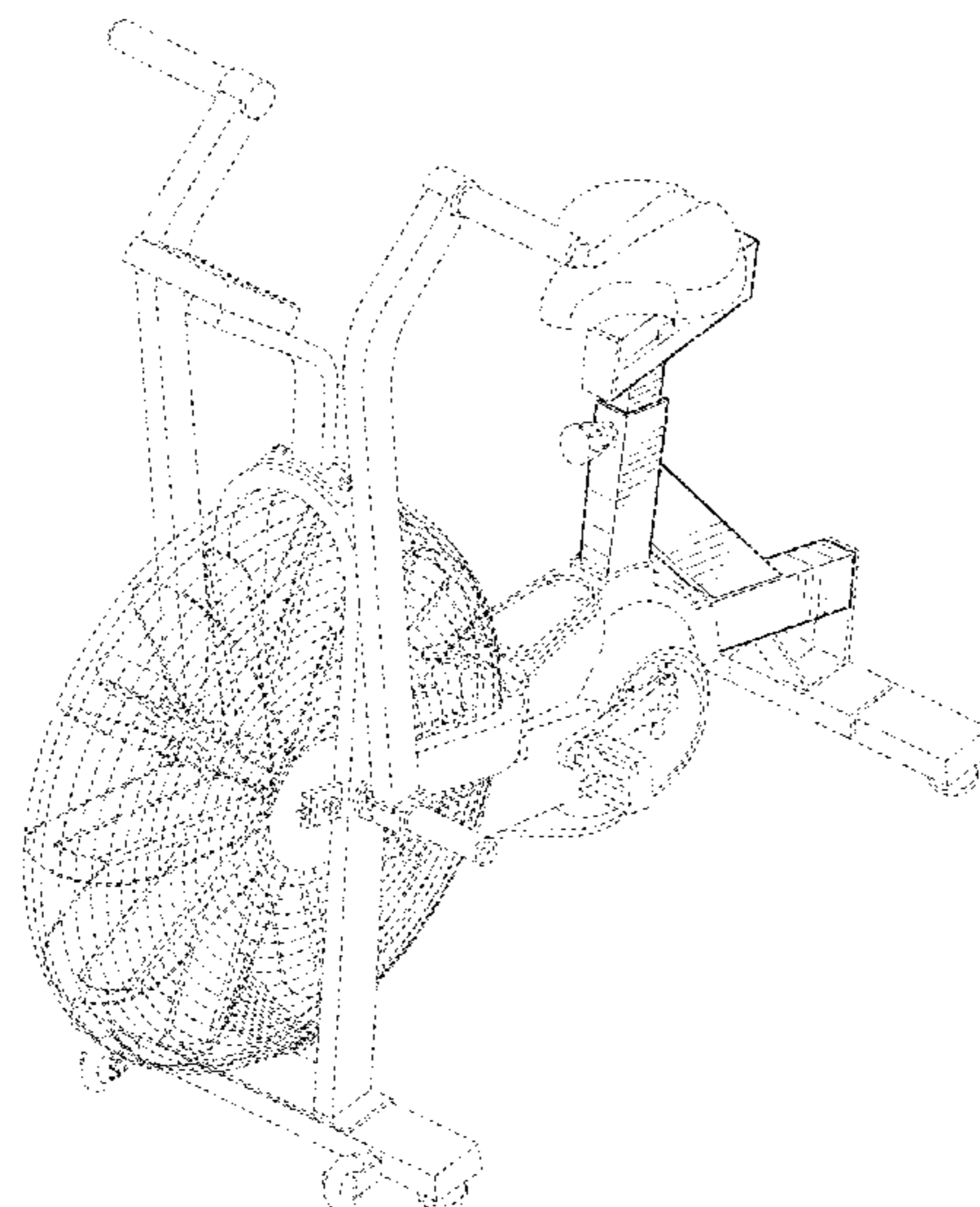
(56) **References Cited**

U.S. PATENT DOCUMENTS

4,188,030 A 2/1980 Hooper
D272,182 S 1/1984 Fowler et al.

(Continued)

1 Claim, 9 Drawing Sheets



Related U.S. Application Data

continuation of application No. 29/689,885, filed on May 2, 2019, now Pat. No. Des. 870,829, which is a continuation of application No. 29/658,628, filed on Aug. 1, 2018, now Pat. No. Des. 858,663.

(58) **Field of Classification Search**

CPC . A63B 22/0605; A63B 21/225; A63B 22/001; A63B 22/0664; A63B 21/4047; A63B 21/0088; A63B 69/16; A63B 21/015; A63B 2225/09; A63B 2022/0652

See application file for complete search history.

(56)

References Cited

U.S. PATENT DOCUMENTS

D292,304 S	10/1987	Ostrom
4,712,789 A	12/1987	Brilando
4,712,790 A	12/1987	Szymski
4,824,102 A	4/1989	Lo
4,880,225 A	11/1989	Lucas et al.
4,889,335 A	12/1989	Chen
D306,330 S	2/1990	Lucas et al.
D307,167 S	4/1990	Lucas et al.
4,917,376 A	4/1990	Lo
D307,614 S	5/1990	Bingham et al.
D307,615 S	5/1990	Bingham et al.
4,932,649 A	6/1990	Chen
4,961,569 A	10/1990	Roberge
4,961,570 A	10/1990	Chang
4,962,925 A	10/1990	Chang
4,971,316 A	11/1990	Dalebout et al.
4,981,294 A	1/1991	Dalebout et al.
5,000,444 A	3/1991	Dalebout et al.
D319,274 S	8/1991	Byrd et al.
D319,480 S	8/1991	Byrd et al.
D319,675 S	9/1991	Byrd et al.
5,048,824 A	9/1991	Chen
5,149,312 A	9/1992	Croft et al.
D330,236 S	10/1992	Jarriel et al.
D333,868 S	3/1993	Yaung
RE34,478 E	12/1993	Dalebout et al.
D344,583 S	2/1994	Hsu
5,290,212 A	3/1994	Metcalf
5,346,445 A	9/1994	Chang
5,397,286 A	3/1995	Chang
5,443,434 A	8/1995	Buchanan et al.
5,795,270 A	8/1998	Woods et al.
D418,218 S	12/1999	Hsu
6,159,132 A	12/2000	Chang
6,220,991 B1	4/2001	Sellers
D459,796 S	7/2002	Moreno
D465,818 S	11/2002	Goldberg
D473,274 S	4/2003	Baudhuin et al.
D473,602 S	4/2003	Baudhuin et al.
D474,252 S	5/2003	Lull et al.
D488,861 S	4/2004	Moreno
D503,472 S	3/2005	Tai
D503,474 S	3/2005	Tai
6,881,178 B1	4/2005	Goldberg
D507,313 S	7/2005	Goldberg
D516,208 S	2/2006	Tai
7,175,570 B2	2/2007	Lull et al.
D636,449 S	4/2011	Wu
D645,134 S	9/2011	Lee et al.
D654,134 S	2/2012	Edge et al.
D677,351 S	3/2013	Baudhuin
D677,747 S	3/2013	Baudhuin et al.
D679,765 S	4/2013	Baudhuin et al.
D699,305 S	2/2014	Rauwerdink
D699,795 S	2/2014	Rauwerdink
D699,796 S	2/2014	Flick et al.
D700,668 S	3/2014	Flick et al.
D709,566 S	7/2014	Baudhuin
D709,567 S	7/2014	Baudhuin et al.
D756,500 S	5/2016	Rasmussen

D767,049 S	9/2016	Flick et al.
D767,050 S	9/2016	Flick et al.
D767,051 S	9/2016	Flick et al.
D781,385 S	3/2017	Flick et al.
D781,971 S	3/2017	Hsieh
D806,223 S	12/2017	Allard et al.
9,889,336 B1	2/2018	Chen
D834,174 S	11/2018	Fuselier
D850,603 S	6/2019	Wang
D852,905 S	7/2019	Flick
D856,445 S	8/2019	Jones
D858,663 S	9/2019	Jones et al.
D861,809 S	10/2019	Jones et al.
D870,829 S	12/2019	Jones et al.
D873,305 S	1/2020	Thooft et al.
D873,405 S	1/2020	McRoberts
D890,275 S *	7/2020	Jones D21/697
2007/0179025 A1	8/2007	Tsai
2012/0065029 A1	3/2012	Dunlap
2017/0274238 A1	9/2017	Chou
2018/0064982 A1	3/2018	Chen
2018/0256932 A1	9/2018	Hsu
2018/0326257 A1	11/2018	Jones et al.

FOREIGN PATENT DOCUMENTS

EM	002248963-0003	7/2013
EM	002746099-0002	8/2015
EP	001622945-0005	10/2009

OTHER PUBLICATIONS

Rogue Echo Bike product advertisement from <<https://www.instagram.com/p/BdLU50LIf7u/?hl=en>>, dated Dec. 26, 2017.

Rogue Echo Bike product listing from <<https://www.roguefitness.com/rogue-echo-bike>>, dated Sep. 13, 2018.

Schwinn Airdyne Pro product advertisement from <https://www.youtube.com/watch?v=c4t_XRTzwPk>, dated Nov. 17, 2015.

Schwinn Airdyne Pro product listing from <<https://www.roguefitness.com/schwinn-airdyne-pro>>, dated Sep. 13, 2018.

Schwinn Airdyne AD6 product listing from <https://www.schwinnfitness.com/ad6/100250.html?adID=SDOSG2SSL4&gclid=EAlalQobChMl2JjUUhOa43QIVyh-GCh1j5wPmEAAyAIAAEgJJ7fD_BwE&gclidsrc=aw.ds&psearch=1>, dated Sep. 13, 2018.

Concept2 BikeERG product advertisement from <<https://www.youtube.com/watch?v=nq9fnKhJMgg>>, dated Sep. 1, 2017.

Concept2 BikeERG product listing from <<https://www.concept2.com/bikeerg/concept2-bikeerg>>, dated Sep. 13, 2018.

Concept2 BikeERG product listing from <<https://www.roguefitness.com/concept2-bike-erg>>, dated Sep. 13, 2018.

Assault Airbike product listing from <<https://www.roguefitness.com/assault-airbike-and-accessories>>, dated Sep. 13, 2018.

Assault Airbike product photos from <<https://www.assaultfitness.com/products/airbike-classic>>, dated Sep. 13, 2018.

Assault Airbike product advertisement from <<https://www.youtube.com/watch?v=uvgwUrD8W6w>>, dated Feb. 9, 2015.

Assault Airbike Elite product advertisement from <<https://www.youtube.com/watch?v=YdSAtaj5xWw>>, dated Nov. 21, 2017.

Assault Airbike Elite product photos from <<https://www.assaultfitness.com/products/airbike-elite>>, dated Sep. 13, 2018.

EUIPO search of Registered Community Design No. 000134168-0004, accessed, Feb. 10, 2021.

EUIPO search of Registered Community Design No. 000150552-0002, accessed, Feb. 10, 2021.

EUIPO search of Registered Community Design No. 000467337-0001, accessed, Feb. 10, 2021.

EUIPO search of Registered Community Design No. 001135206-0005, accessed, Feb. 10, 2021.

EUIPO search of Registered Community Design No. 001622945-0005, accessed, Feb. 10, 2021.

EUIPO search of Registered Community Design No. 001622945-0007, accessed, Feb. 10, 2021.

EUIPO search of Registered Community Design No. 002248963-0001, accessed, Feb. 10, 2021.

(56)

References Cited

OTHER PUBLICATIONS

EUIPO search of Registered Community Design No. 002248963-0003, accessed, Feb. 10, 2021.

EUIPO search of Registered Community Design No. 002280453-0001, accessed, Feb. 10, 2021.

EUIPO search of Registered Community Design No. 002746099-0002, accessed, Feb. 10, 2021.

Screenshot of Rogue Echo Bike from <https://www.rogueeurope.eu/rogue-echo-bike-eu>, publicly disclosed no later than Apr. 7, 2019, accessed Feb. 10, 2021.

Screenshot of Garage Gym Reviews showing the Xebex Airmill Air Bike from <https://www.garagegymreviews.com/xebex-airmill-air-bike>, earliest known date Aug. 9, 2020, accessed Feb. 10, 2021.

Coulter Ventures LLC v Bulldog Gear Limited, UK High Court (Eng. & Wales), Claim No. HP-2019-000054, Defence and Counterclaim, dated Feb. 13, 2020.

Coulter Ventures LLC v Bulldog Gear Limited, High Court (Eng. & Wales), Claim No. HP-2019-000054, Defendant's Initial Disclosure List of Documents, dated Feb. 12, 2020.

Coulter Ventures LLC v Bulldog Gear Limited, High Court (Eng. & Wales), Claim No. HP-2019-000054, Amended Defence and Counterclaim, dated Apr. 23, 2020.

Coulter Ventures LLC v Bulldog Gear Limited, High Court (Eng. & Wales), Claim No. HP-2019-000054, Amended Defendant's Initial Disclosure List of Documents, dated Apr. 23, 2020.

Coulter Ventures LLC v Bulldog Gear Limited, High Court (Eng. & Wales), Claim No. HP-2019-000054, Re-Amended Defence and Counterclaim, dated Feb. 4, 2021.

Coulter Ventures LLC v Bulldog Gear Limited, High Court (Eng. & Wales), Claim No. HP-2019-000054, Claim Form and Particulars of Claim, dated Dec. 18, 2019.

Coulter Ventures LLC v Bulldog Gear Limited, High Court (Eng. & Wales), Claim No. HP-2019-000054, Claimant's Initial Disclosure List of Documents, dated Dec. 18, 2019.

Coulter Ventures LLC v Bulldog Gear Limited, High Court (Eng. & Wales), Claim No. HP-2019-000054, Reply and Defence to Counterclaim, dated Apr. 2, 2020.

Coulter Ventures LLC v Bulldog Gear Limited, High Court (Eng. & Wales), Claim No. HP-2019-000054, Amended Claim Form and Amended Particulars of Claim, dated Dec. 23, 2020.

Coulter Ventures LLC v Bulldog Gear Limited, High Court (Eng. & Wales), Claim No. HP-2019-000054, Amended Reply and Defence to Counterclaim, dated Feb. 18, 2021.

"Assault Air Bike Owner's Manual", Assault Air Bike, p. 1-24, published 2013 (24 pages).

"Chaimberg RXM Air Bike—Gronk Fitness Edition"; Gronk Fitness; retrieved Feb. 10, 2021; currently believed to be publicly disclosed as early as Jul. 2018; URL: <<<https://www.gronkfitnessproducts.com/products/chaimberg-rxm-air-bike-gronk-fitness-edition>>>.

"ProForm XP Whirlwind 320 Exercise Bike, Review"; Exercise Bike Zone; retrieved Feb. 10, 2021; published Sep. 9, 2014; URL: <<<https://exercisebikezone.blogspot.com/2014/09/proform-xp-whirlwind-320-exercise-bike.html>>>.

"Marcy Fan Bike | NS-1000"; Marcy; retrieved Feb. 10, 2021; publicly disclosed as early as Dec. 29, 2015; URL: <<<https://www.marcypro.com/marcy-fan-bike-ns-1000>>>.

"Schwinn AirDyne AD2 Dual Action Air Cycle"; Fitness Superstore; retrieved Feb. 10, 2021; publicly disclosed as early as Dec. 19, 2017; URL: <<<https://www.fitness-superstore.co.uk/schwinn-airdyne-ad2-dual-action-air-cycle-1.html>>>.

"Schwinn AirDyne AD8"; Schwinn Fitness; retrieved Feb. 10, 2021; publicly disclosed as early as Dec. 18, 2015 URL: <<<https://global.schwinnfitness.com/en/ad8/100475.html>>>.

"Aebex Air Bike"; Xebex Fitness; retrieved Feb. 10, 2021; publicly disclosed as early as May 28, 2016; URL: <<<http://Kebexfitness.com/xebexairbike.html>>>.

"[OVERVIEW] Schwinn AD2 AirDyne Exercise Bike 2014 Edition!"; Youtube; retrieved Mar. 12, 2021; published Jan. 28, 2014; URL: <<<https://www.youtube.com/watch?v=8QWFaOwuLRU>>>.

Pictures of Schwinn Air-Dyne Exerciser, by Schwinn Bicycle Company, 1 color sheet of photographs, publicly disclosed No. later than Dec. 31, 1981.

Catalog for "Schwinn Bicycles and Accessories 1980", Schwinn Bicycle Company, p. 50-57, published 1980 (8 pages).

Screenshot of Assault Airbike from www.rogueeurope.eu, using the website "waybackmachine" <https://web.archive.org/web/2016041602458/http://www.rogueeurope.eu/assault-air-bike-eu>, dated Apr. 16, 2016, accessed Jun. 2, 2020.

Screenshot of Assault Airbike from <https://www.youtube.com/watch?v=415bFWoX4go>, dated Aug. 27, 2014, accessed Jun. 2, 2020.

Screenshot of Schwinn AirDyne Ad Pro Bike from www.rogueeurope.eu, using the website "waybackmachine" <https://web.archive.org/web/20160319150010/http://www.roguefitness.com/schwinn-airdyne-ad-pro>, dated Mar. 19, 2016, accessed Jun. 2, 2020.

Screenshot of GetRxd Xebex Fitness Air Bike from <https://www.youtube.com/watch?v=EXOBMBRzBFg>, dated May 30, 2016 accessed Jun. 2, 2020.

Screenshot of 'Owner's manual' for Assault AirBike from <https://www.360fitnesssuperstore.com/pdf/fitness-equipment-manuals/Assault/Assault-AirBike-Owners-Manual.pdf>, dated Sep. 2013, accessed Jun. 2, 2020.

Screenshot of Xebex Airbike from <https://www.youtube.com/watch?v=5bUOd9W6iP4>, dated Oct. 17, 2015, accessed Jun. 2, 2020.

Screenshot of Proform XP Whirlwind 280 Bike from <https://www.youtube.com/watch?v=jiFijZFfGEA>, dated Apr. 4, 2012, accessed Jun. 2, 2020.

Screenshot of Assault Airbike from <https://www.youtube.com/watch?v=x4Lo-OeeLbM>, dated May 8, 2016, accessed Jul. 2, 2020.

Screenshot of Elite Assault Bike from <https://www.youtube.com/watch?v=5fkK60ZLDAQ>, dated Sep. 4, 2017, accessed Jul. 2, 2020.

Screenshot from Club Industry article showing release of Elite Assault Bike from <https://www.clubindustry.com/news-Dentral/two-new-assault-fitness-products-hit-gym-floor>, dated Jun. 21, 2017, accessed Jul. 2, 2020.

Screenshot of AirDyne AD2 from <https://www.youtube.com/watch?v=5fkK60ZLDAQ>, dated Feb. 18, 2017, accessed Jul. 2, 2020.

Screenshot of Airmill Air Bike from <https://www.youtube.com/watch?v=DI6ij134q-8>, dated Apr. 17, 2017, accessed Jul. 2, 2020.

Screenshot of Gronk Fitness Chaimberg RXM from <https://www.youtube.com/watch?v=Q9DgiDc4yro>, dated Apr. 20, 2018, accessed Jul. 2, 2020.

Screenshot of JLL Sonic 1 Airbike unboxing from https://www.youtube.com/watch?v=MOH6mQKU-_Y, dated Mar. 8, 2019, accessed Jul. 2, 2020.

Website link to history of exercise bikes released by Mad Dog Athletics, <https://www.maddogg.com/history.html>, accessed Jul. 2, 2020.

Screenshot of Bulldog Gear Airbike 1.0 from https://www.youtube.com/watch?v=MOH6mQKU-_Y, dated Mar. 8, 2019, accessed Jul. 2, 2020.

Screenshot showing sale of Bulldog Gear Airbike 1.0 from www.bulldoggear.eu using the website "waybackmachine" <https://web.archive.org/web/20161208114845/http://www.bulldoggear.eu/collections/conditioning/products/bulldog-gear-airbike>, dated Dec. 8, 2016, accessed Jul. 2, 2020.

Registered Community Design No. 002746099-0002, dated Jul. 30, 2015.

Registered Community Design No. 002248963-0001, dated Jun. 4, 2013.

Registered Community Design No. 002248963-0003, dated Jun. 4, 2013.

Screenshot from LlifeFitness article "50 Years Ago This Ground-breaking Indoor Cycle Changed Fitness" from <https://Aww.lifefitness.com/en-US/blog/50-years-ago-groundbreaking-indoor-cycle-changed-fitness>, accessed Feb. 10, 2021.

Screenshot of Assault AirBike Classic from <https://www.amazon.com/Assault-Fitness-Air-Bike-AirBike/dp/B00F74RX40>, publicly disclosed as early as Nov. 1, 2013, accessed Feb. 10, 2021.

Screenshot of Assault Fitness AirBike Classic from [https://www.titaniumstrength.co.uk/assault-fitness-airbike-classic.html?gclid="](https://www.titaniumstrength.co.uk/assault-fitness-airbike-classic.html?gclid=)

(56)

References Cited

OTHER PUBLICATIONS

EAIalQobChMitOjr9fPB7glVqejtCh2ykwqrEAQYAyABEgLiLP DBwE, publically disclosed as early as Nov. 1, 2013, accessed Feb. 10, 2021.

Screenshot of Assault Bike Elite from <https://www.assaultfitness.com/products/airbike-elite>, accessed Feb. 10, 2021.

Canadian Industrial Design Patent No. CA65213 full patent report. Registered Community Design No. 00020557-0004, dated Apr. 9, 2003, accessed Feb. 2, 2021.

Registered Community Design No. 000077219-0001, dated Sep. 19, 2003, accessed Mar. 18, 2021.

Registered Community Design No. 000134168-0004, dated Jan. 27, 2004, accessed Feb. 17, 2021.

Registered Community Design No. 000150552-0002, dated Mar. 9, 2004, accessed Feb. 17, 2021.

Registered Community Design No. 000467337-0001, dated Jan. 18, 2006, accessed Feb. 17, 2021.

Registered Community Design No. 001135206-0005, dated May 6, 2009, accessed Feb. 17, 2021.

Registered Community Design No. 00118093-0001, dated Nov. 23, 2009, accessed, Mar. 18, 2021.

Registered Community Design No. 001202550-0004, dated Apr. 23, 2010, accessed, Mar. 18, 2021.

Registered Community Design No. 001563719-0005, dated Jun. 29, 2009, accessed, Mar. 18, 2021.

Registered Community Design No. 002280453-0001, dated Jul. 24, 2013, accessed, Feb. 17, 2021.

Registered Community Design No. 002453753-0001, dated Apr. 28, 2014, accessed, Mar. 18, 2021.

Registered Community Design No. 002773523-0002, dated Sep. 16, 2015, accessed, Mar. 18, 2021.

Registered Community Design No. 003017870-0002, dated Mar. 7, 2016, accessed, Mar. 18, 2021.

Registered Community Design No. 003450626-0003, dated Nov. 7, 2016, accessed, Mar. 18, 2021.

EUIPO search of Registered Community Design No. 000020557-0004, accessed, Feb. 10, 2021.

* cited by examiner

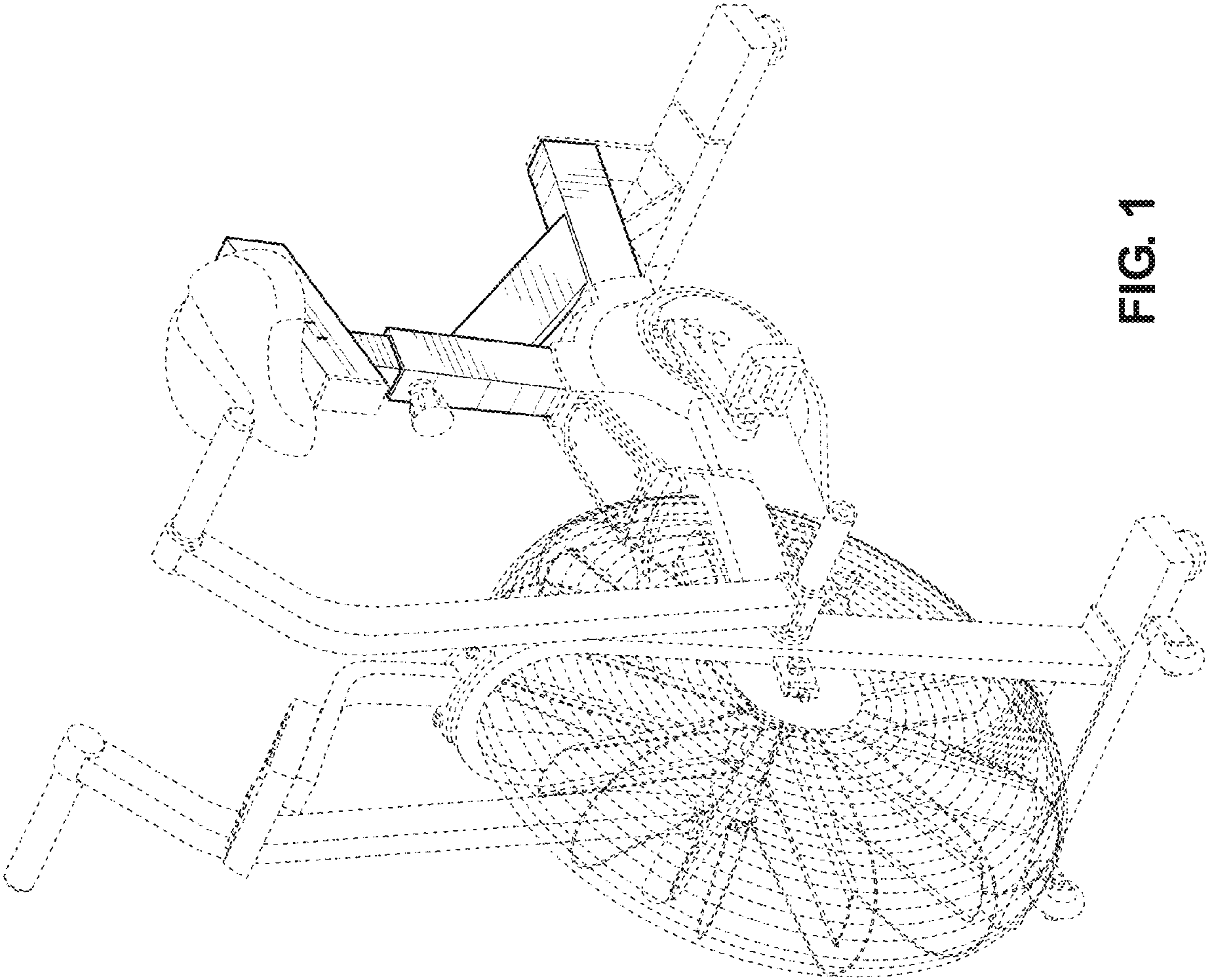


FIG. 1

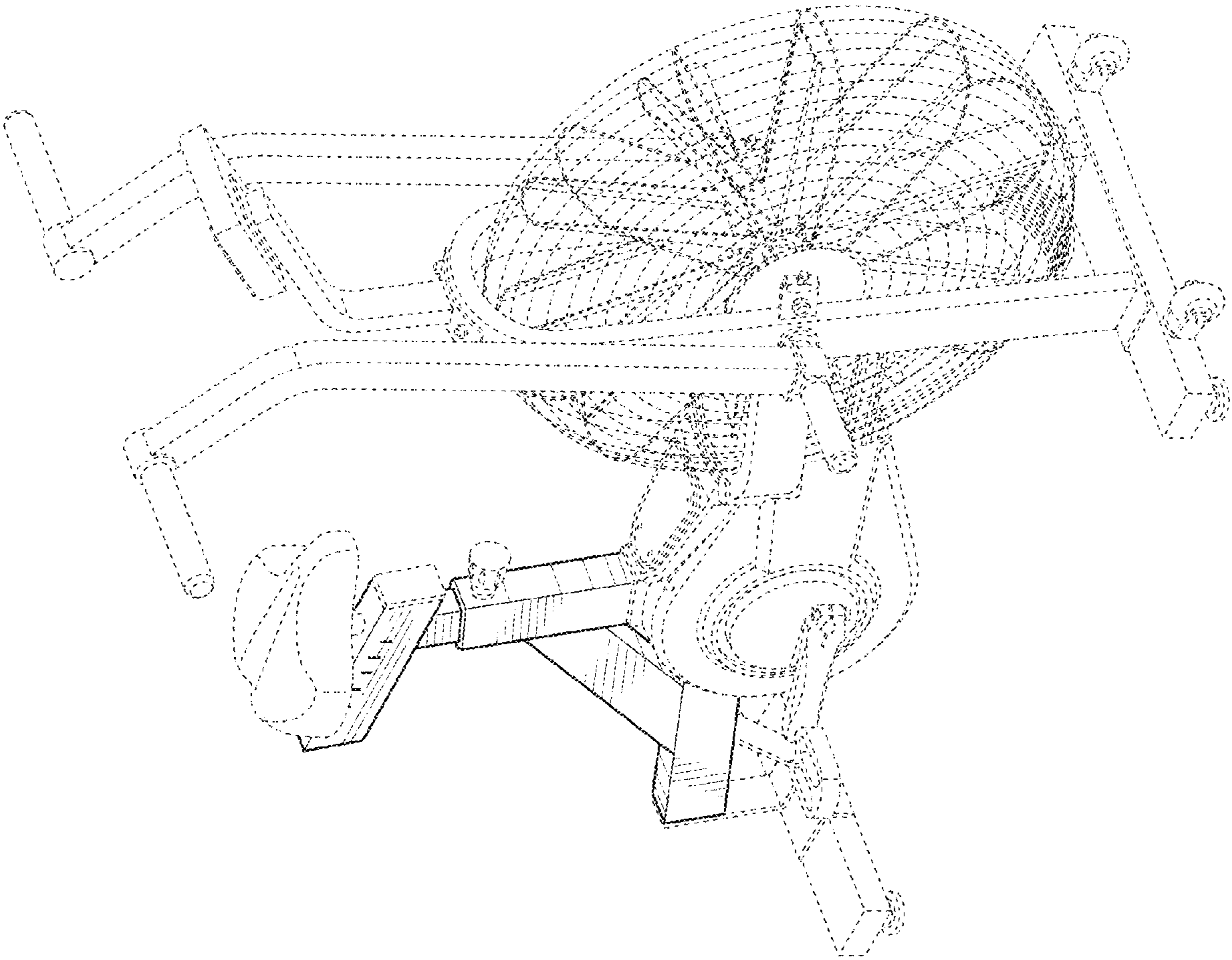


FIG. 2

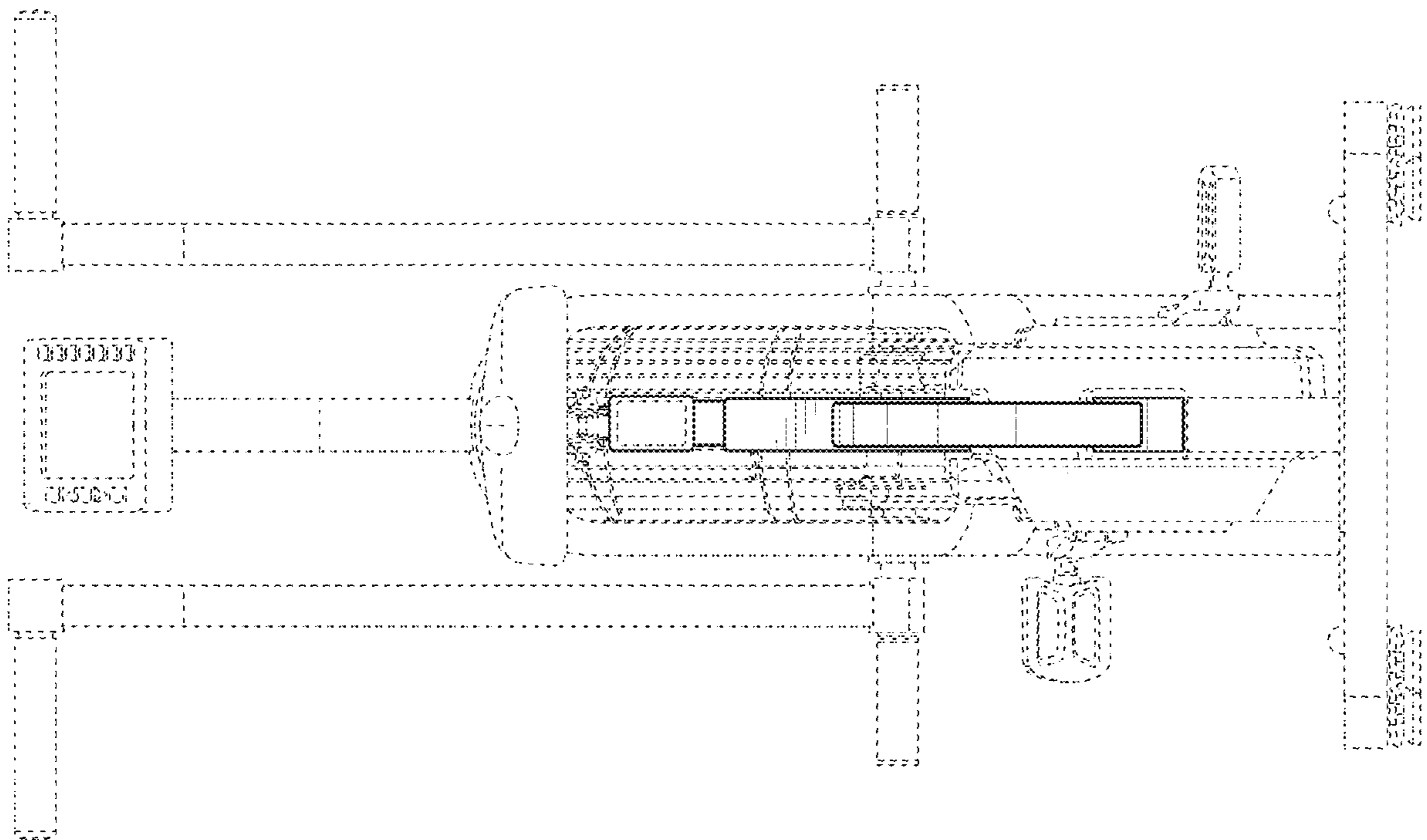


FIG. 3

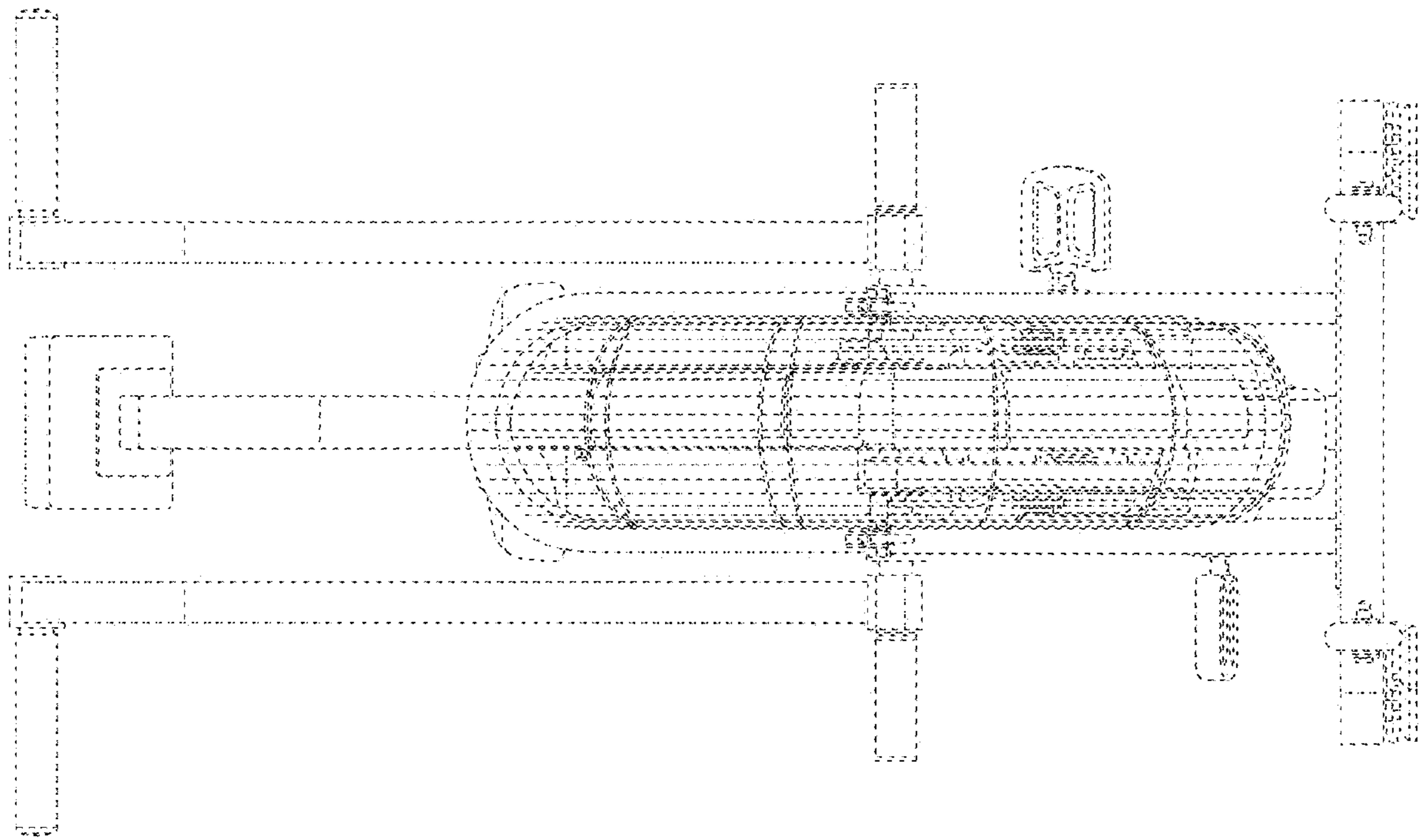


FIG. 4

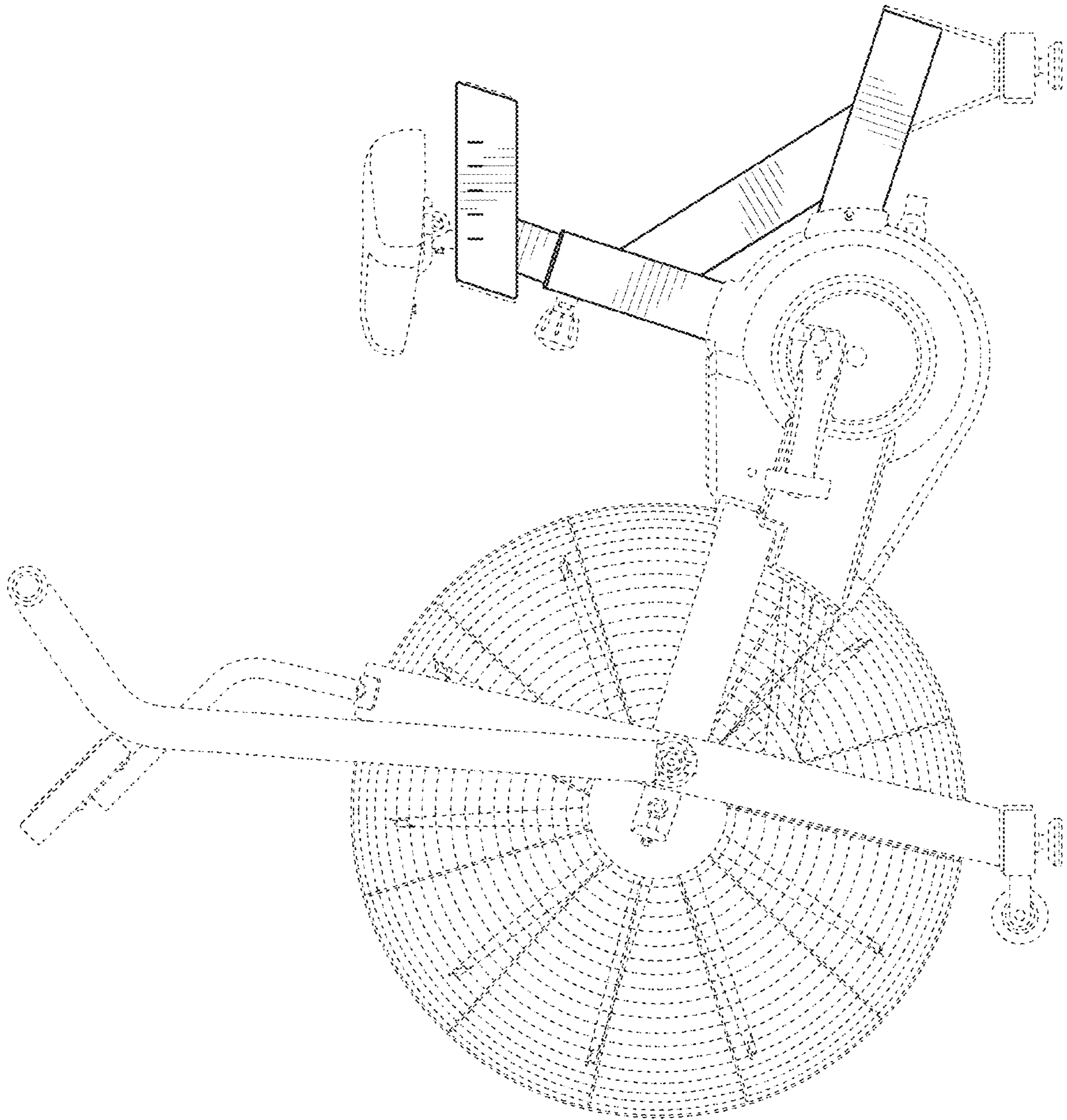


FIG. 5

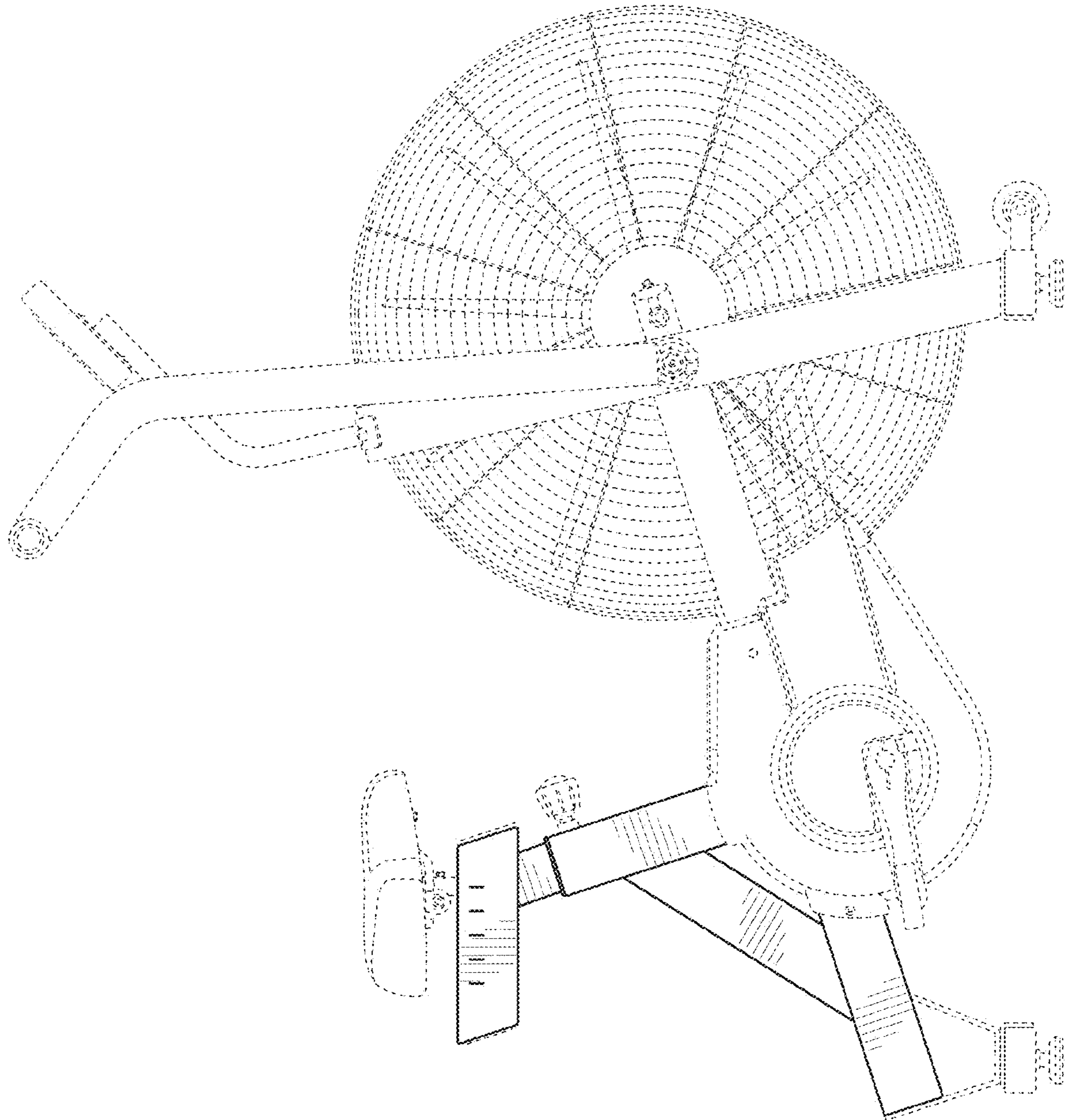


FIG. 6

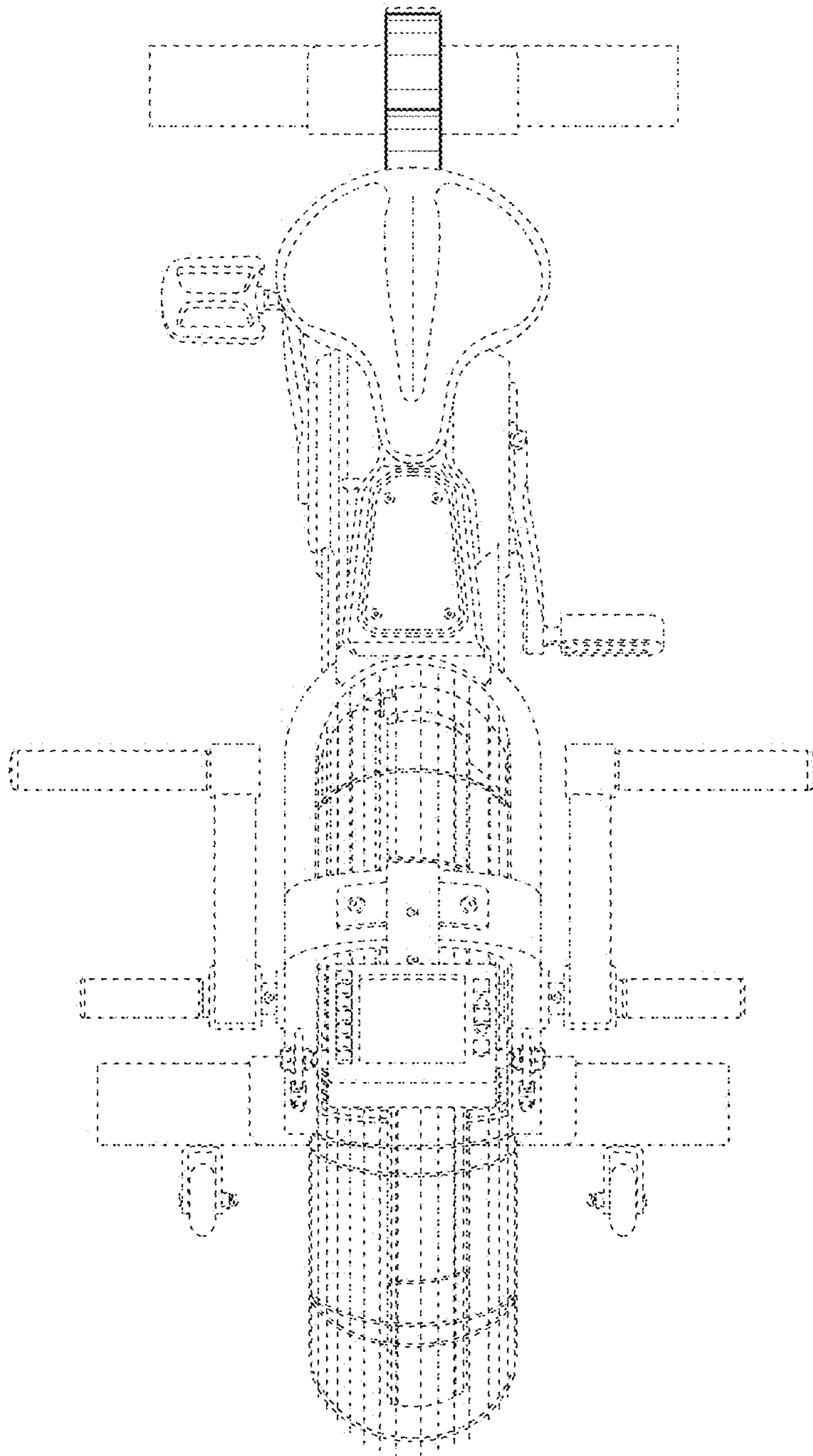


FIG. 7

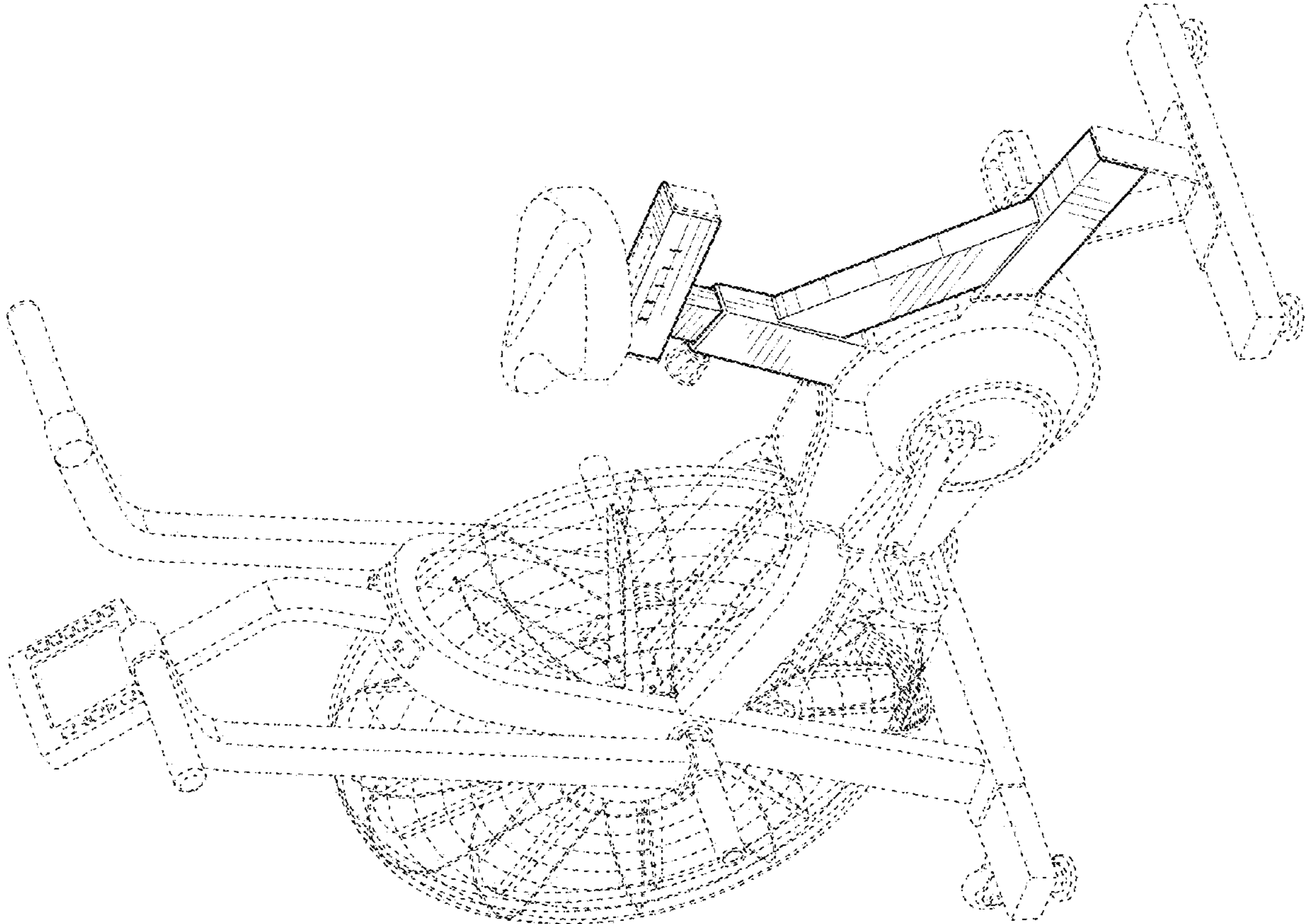


FIG. 8

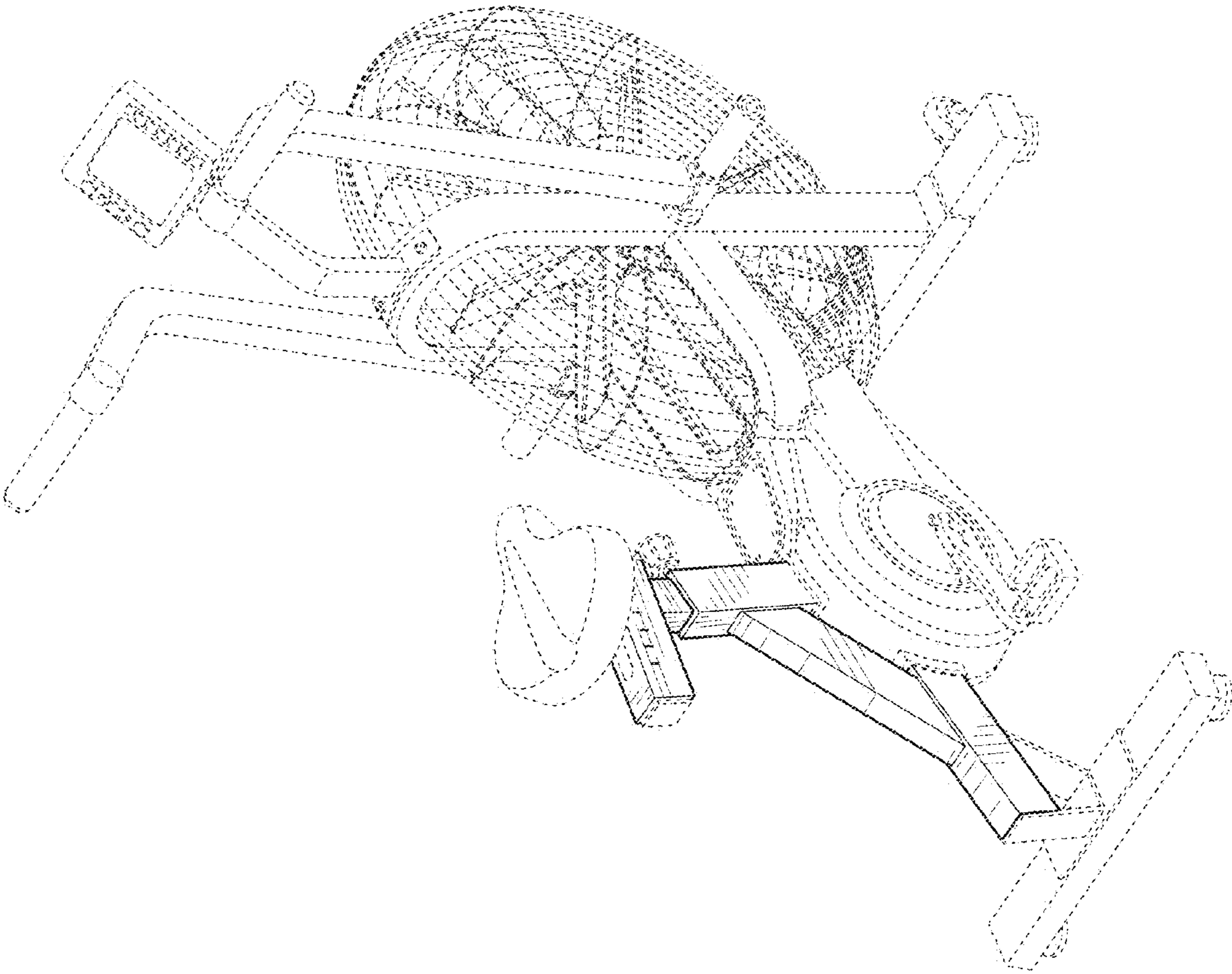


FIG. 9