



US00D941942S

(12) **United States Design Patent** (10) **Patent No.:** **US D941,942 S**
Schmidt et al. (45) **Date of Patent:** **** Jan. 25, 2022**

(54) **EXERCISE PLATFORM**

(71) Applicant: **Icaros GmbH**, Planegg (DE)

(72) Inventors: **Michael Schmidt**, Wessling (DE);
Johannes Scholl, Munich (DE); **Luca Maximilian Gabriel**, Munich (DE)

(73) Assignee: **Icaros GmbH**, Planegg (DE)

(**) Term: **15 Years**

(21) Appl. No.: **29/686,329**

(22) Filed: **Apr. 3, 2019**

(30) **Foreign Application Priority Data**

Oct. 5, 2018 (EM) 5761509

(51) **LOC (13) Cl.** **21-02**

(52) **U.S. Cl.**
USPC **D21/688**

(58) **Field of Classification Search**

USPC D21/668, 688, 671, 686, 662, 689, 687,
D21/413, 412, 423, 692, 694, 698, 760,
D21/765, 766, 769, 803, 788, 333, 100;
482/70, 79, 71, 132, 34, 146, 142, 93,
482/105, 110, 121, 123, 126, 130, 139,
482/141, 147, 148, 51, 52, 77; 472/135,
472/110, 14, 218, 269, 409, 451, 452;
600/595; 473/451, 452, 269, 409;
D6/349, 353, 406.3, 582, 592, 685,
D6/707.22, 361, 348; 280/205, 87.042,
280/609; D14/413, 419, 216; D24/211
CPC A63B 26/003; A63B 22/16; A63B 22/18;
A63B 21/0442; A63B 21/0004; A63B
2208/0204; A63B 23/0458; A63B
2022/0033; A63B 2071/027; A47C 3/029;
A47C 3/02; A61H 1/003

See application file for complete search history.

(56) **References Cited**

U.S. PATENT DOCUMENTS

| | | | | | |
|-----------|-----|---------|-----------|-------|-------------|
| 4,141,588 | A * | 2/1979 | Anderson | | A47D 13/102 |
| | | | | | 297/271.5 |
| D255,372 | S * | 6/1980 | Tidmore | | 482/146 |
| 5,643,164 | A * | 7/1997 | Teff | | A63B 22/16 |
| | | | | | 482/146 |
| D495,014 | S * | 8/2004 | Zabel | | D21/662 |
| D507,026 | S * | 7/2005 | Chen | | D21/671 |
| D517,136 | S * | 3/2006 | Chen | | D21/671 |
| D564,604 | S * | 3/2008 | Mikail | | D21/688 |
| D612,896 | S * | 3/2010 | Talley | | D21/686 |
| D627,015 | S * | 11/2010 | Senegal | | D21/689 |
| D634,377 | S * | 3/2011 | Byle | | D21/686 |
| D648,403 | S * | 11/2011 | Haniffee | | D21/688 |
| D659,776 | S * | 5/2012 | Zydiak | | D21/688 |
| D740,381 | S * | 10/2015 | Heath | | D21/688 |
| D750,183 | S * | 2/2016 | Heath | | D21/686 |
| D768,788 | S * | 10/2016 | Orenstein | | D21/419 |
| D776,769 | S * | 1/2017 | Heath | | D21/688 |
| D805,590 | S * | 12/2017 | Heath | | D21/688 |
| D806,189 | S * | 12/2017 | Failing | | D21/688 |

(Continued)

Primary Examiner — Ryan Harvey

(74) *Attorney, Agent, or Firm* — Womble Bond Dickinson (US) LLP; John J. Penny, Jr.

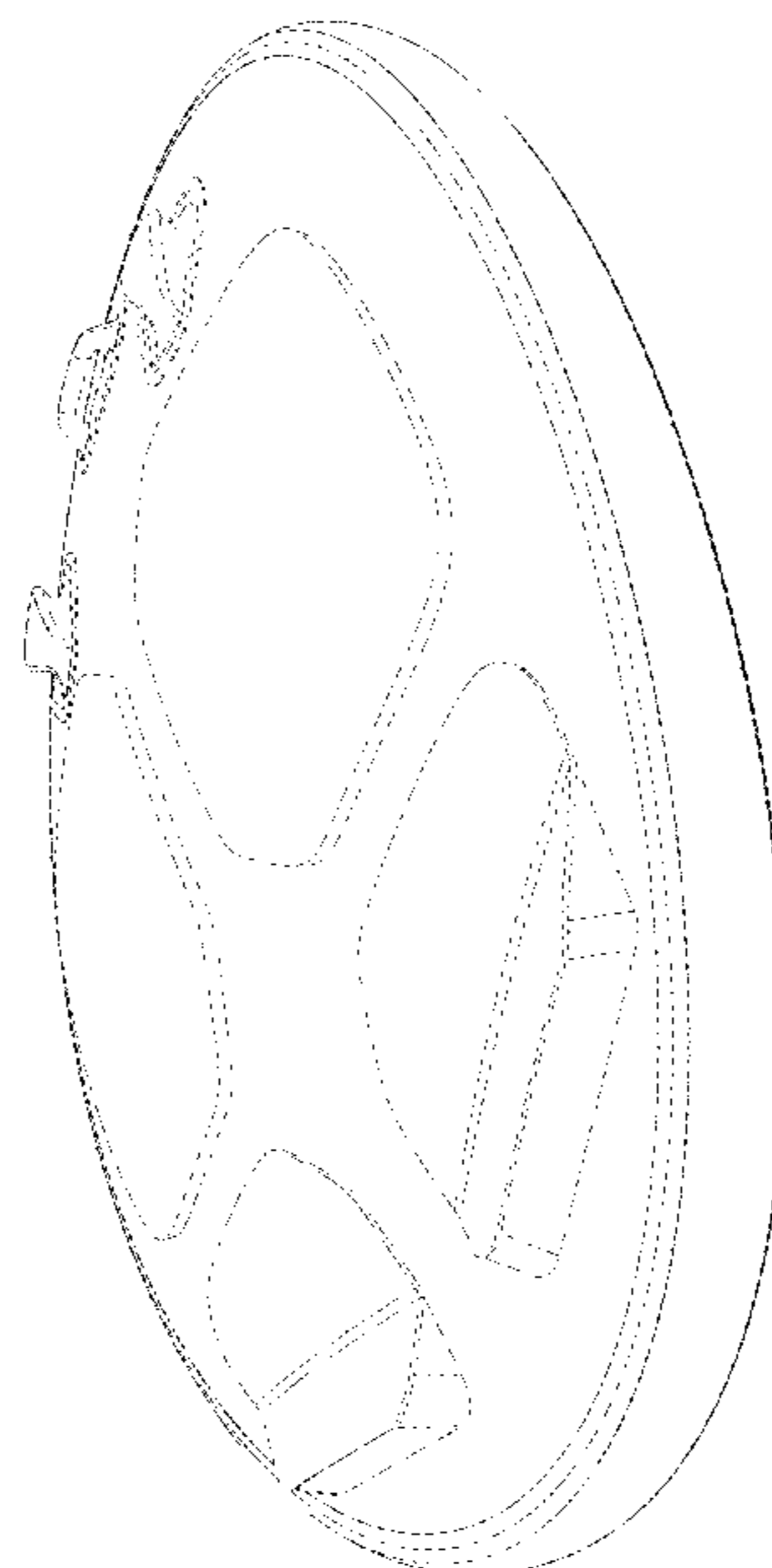
(57) **CLAIM**

The ornamental design for an exercise platform, as shown and described.

DESCRIPTION

FIG. 1 is a right side view of an embodiment of an exercise platform;
 FIG. 2 is a left side view thereof;
 FIG. 3 is a front view thereof;
 FIG. 4 is a rear view thereof;
 FIG. 5 is a top view thereof;
 FIG. 6 is a bottom view thereof; and,
 FIG. 7 is an isometric view thereof.

1 Claim, 7 Drawing Sheets



(56)

References Cited

U.S. PATENT DOCUMENTS

D806,190 S * 12/2017 Failing D21/688
D814,577 S * 4/2018 Lalaoua D21/688
D843,514 S * 3/2019 Schmidt-Gabriel D21/688
D843,515 S * 3/2019 Agostini D21/688
D848,623 S * 5/2019 Franche D24/188
D849,856 S * 5/2019 Publicover D21/688
10,363,449 B2 * 7/2019 Scott A63B 23/0222
D875,194 S * 2/2020 Zhou D21/688
D886,922 S * 6/2020 Hwang D21/689
2006/0014613 A1 * 1/2006 Van Straaten A63B 23/0211
482/140
2009/0189854 A1 * 7/2009 Schwanecke A63B 21/0004
345/156
2012/0252645 A1 * 10/2012 Agostini A63B 21/0004
482/132
2012/0258841 A1 * 10/2012 James A63B 21/00047
482/91
2013/0017937 A1 * 1/2013 Guarrasi A63B 22/18
482/142
2013/0053228 A1 * 2/2013 Winegar A63B 22/16
482/146
2016/0325135 A1 * 11/2016 Franche A63B 26/003
2016/0361603 A1 * 12/2016 Blinova A61H 1/005
2017/0043206 A1 * 2/2017 Wilson A63B 21/4033
2017/0144017 A1 * 5/2017 Crist A63B 22/18
2017/0157467 A1 * 6/2017 Strong Crawley .. A63B 26/003
2017/0172331 A1 * 6/2017 Publicover A63B 21/4037
2019/0030393 A1 * 1/2019 Petersen A63B 22/20
2020/0238135 A1 * 7/2020 Stehlik A63B 22/18

* cited by examiner

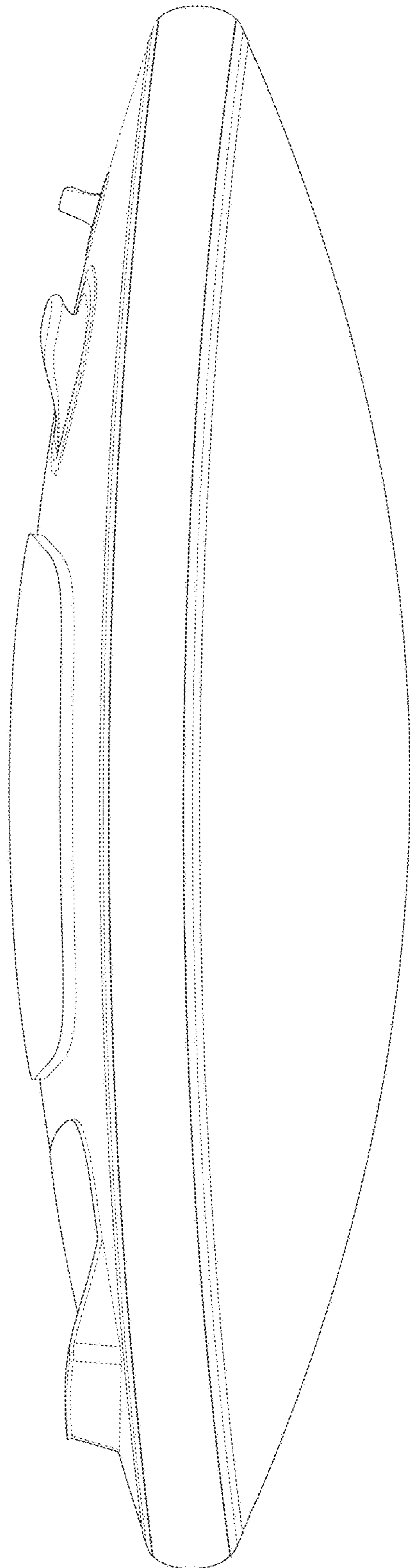


Fig. 1

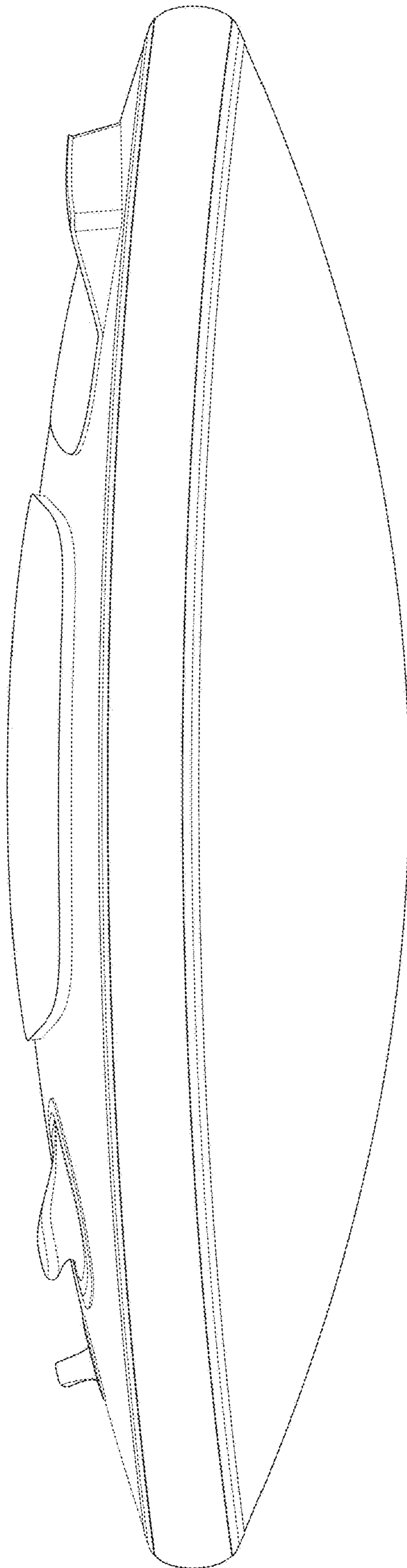


Fig. 2

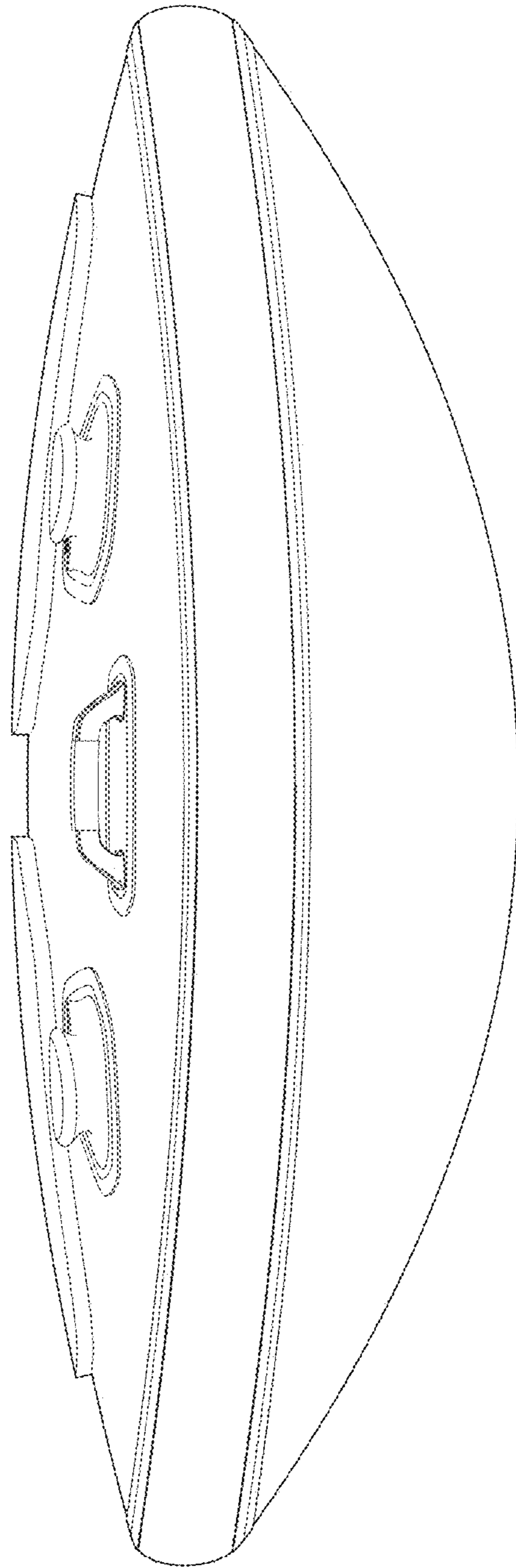


Fig. 3

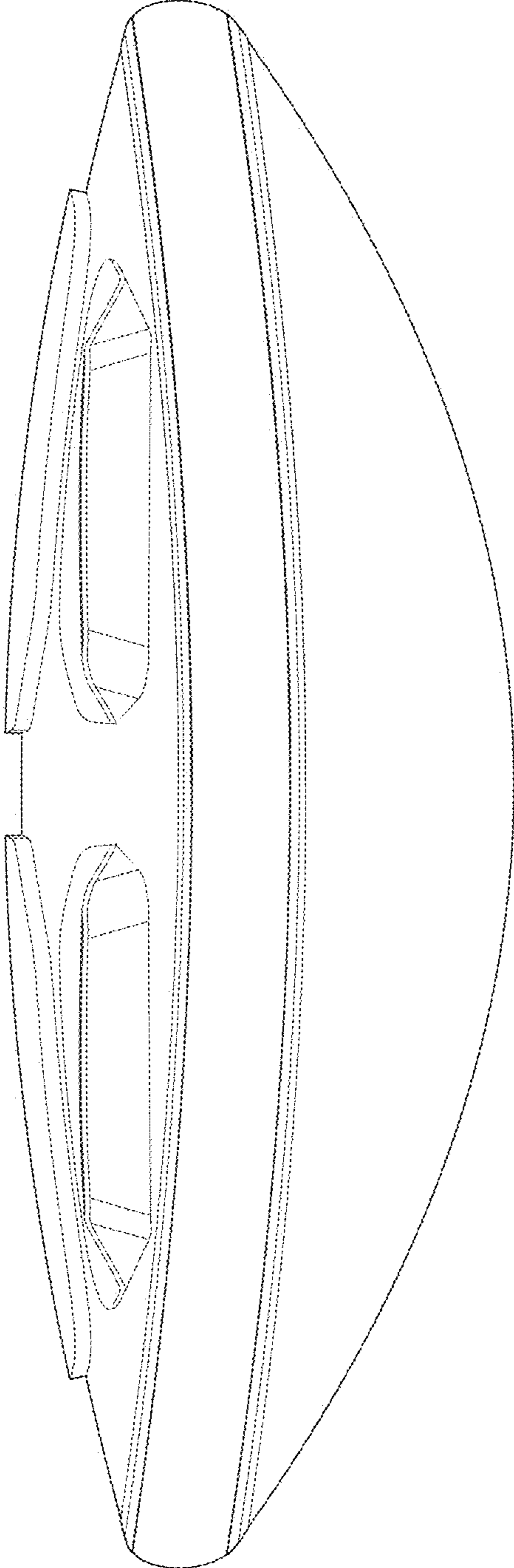


Fig. 4

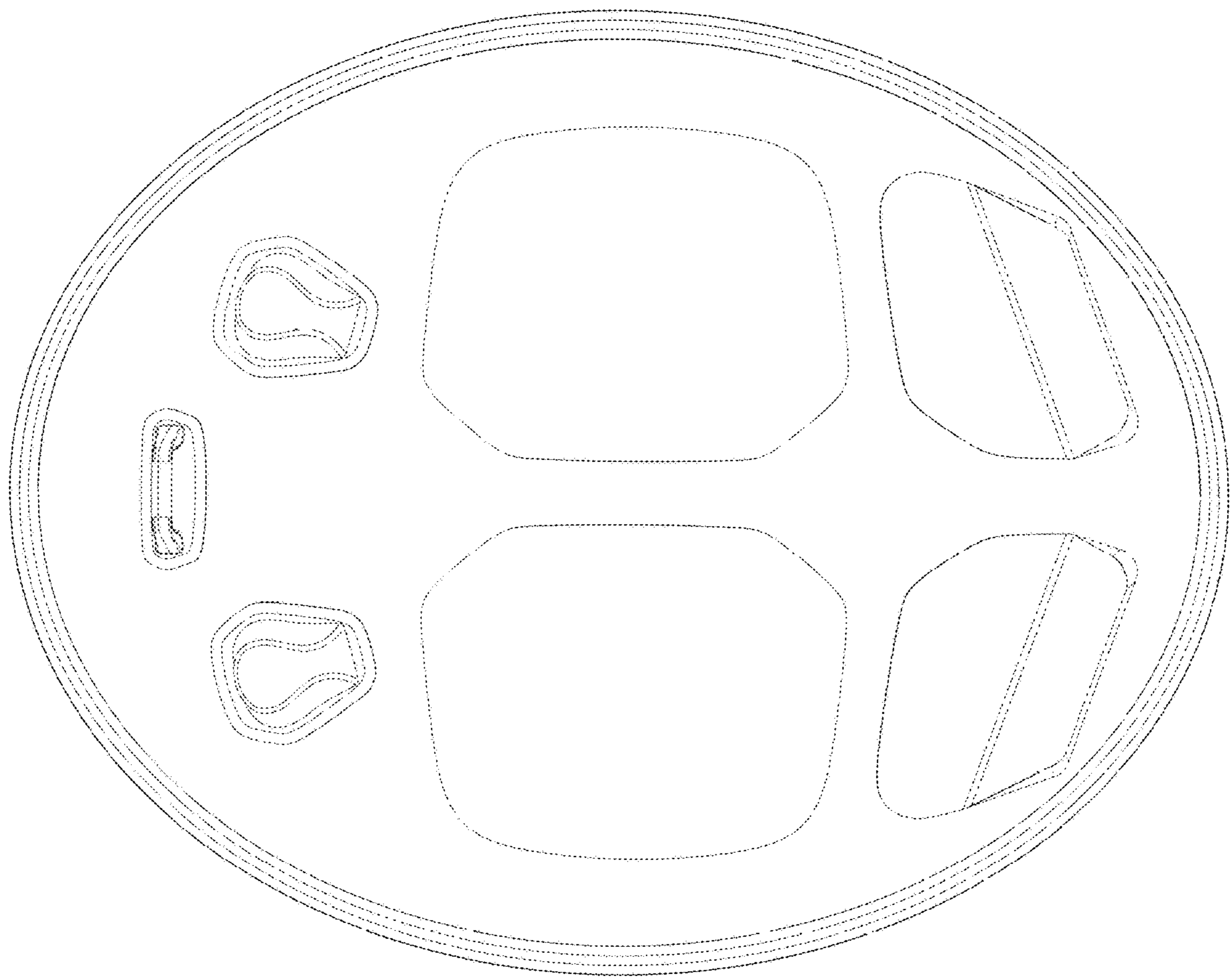


Fig. 5

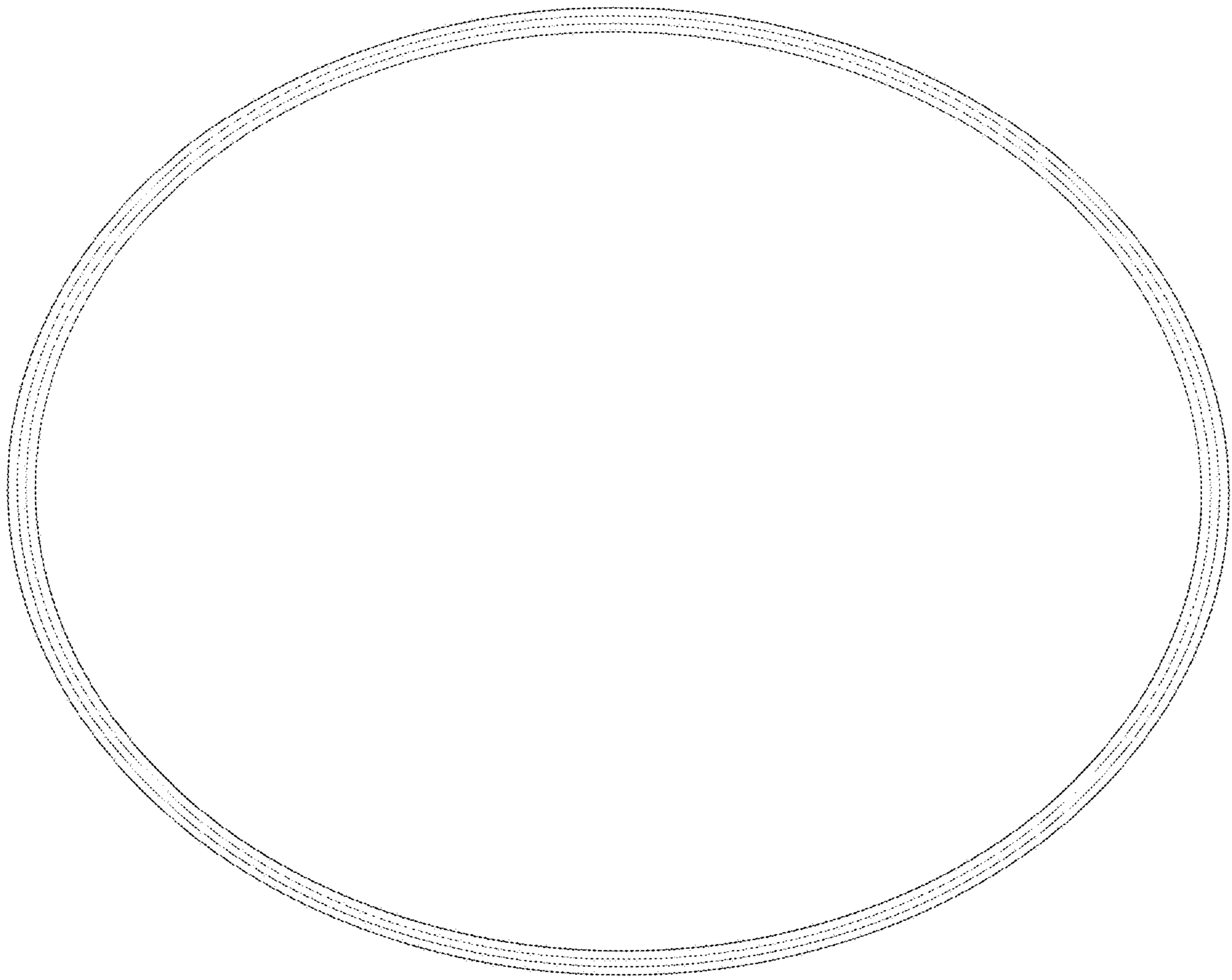


Fig. 6

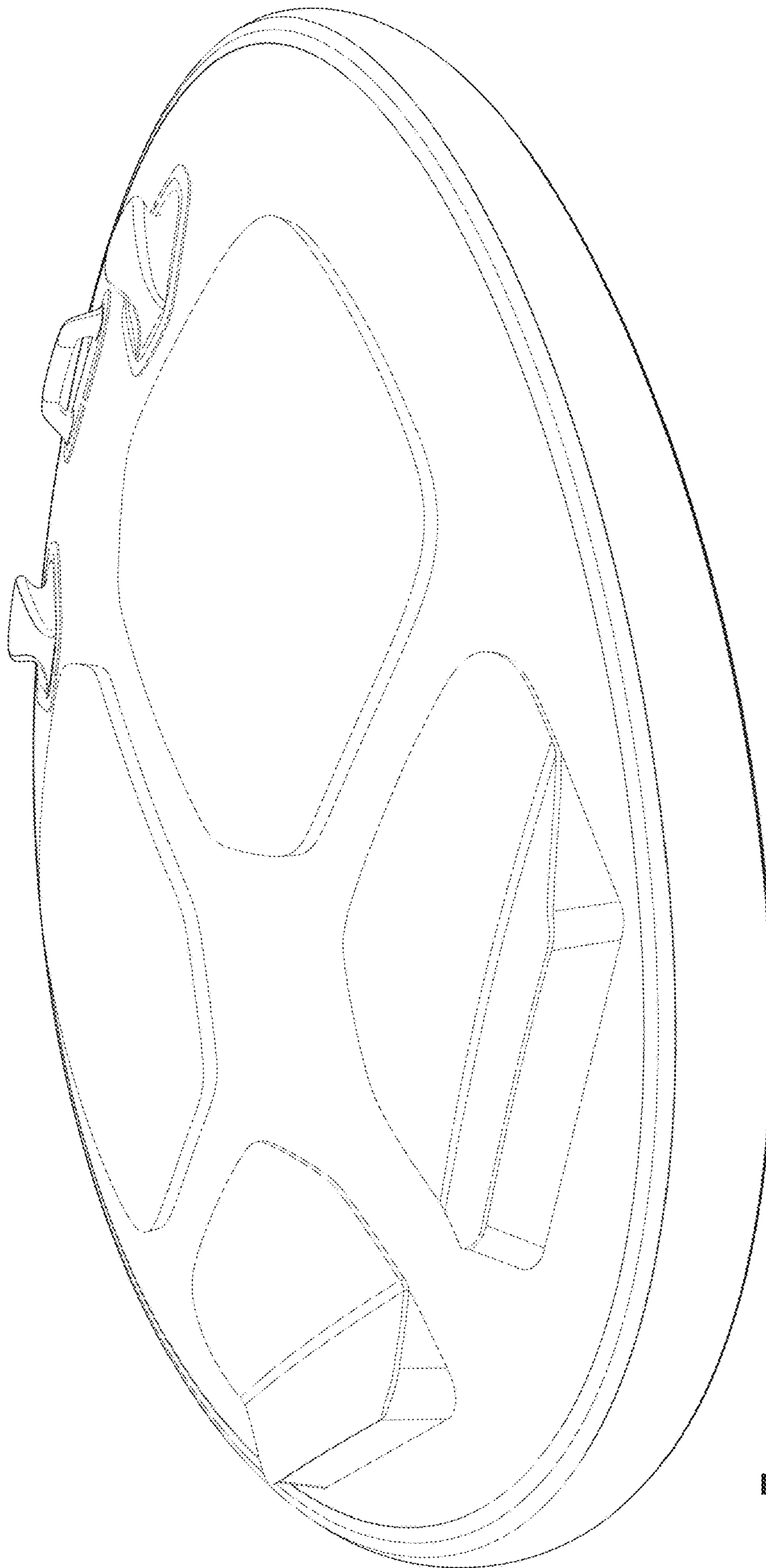


Fig. 7