



US00D941940S

(12) **United States Design Patent**  
**McIntyre**

(10) **Patent No.:** **US D941,940 S**  
(45) **Date of Patent:** **\*\* Jan. 25, 2022**

- (54) **MOVABLE EXERCISE PLATFORM**
- (71) Applicant: **Hero Board America LLC**, Royal Oak, MI (US)
- (72) Inventor: **Donald McIntyre**, Royal Oak, MI (US)
- (73) Assignee: **Hero Board America LLC**, Royal Oak, MI (US)
- (\*\*) Term: **15 Years**
- (21) Appl. No.: **29/694,486**
- (22) Filed: **Jun. 11, 2019**
- (51) **LOC (13) Cl.** ..... **21-02**
- (52) **U.S. Cl.**  
USPC ..... **D21/686**
- (58) **Field of Classification Search**  
USPC ..... D8/499; D34/28, 23; D3/318, 233, 226;  
D21/788, 694, 689, 687, 686, 682, 680,  
D21/671, 662, 683, 423, 419; D10/83;  
482/97, 93, 74, 68, 66, 55, 5, 142, 14,  
482/106, 105; 473/445, 447, 444, 441  
CPC . A63B 69/345; A63B 23/047; A63B 21/4035;  
A63B 21/0618; A63B 22/20; A63B  
21/0004  
See application file for complete search history.

- D556,972 S \* 12/2007 Whiteside ..... D34/23
- D567,887 S \* 4/2008 Deluise ..... D21/662
- 7,527,568 B2 \* 5/2009 Joseph ..... A63B 69/345  
473/422
- D717,377 S \* 11/2014 Orenstein ..... D21/419  
(Continued)

**OTHER PUBLICATIONS**

Heroboard fitness by heroboard fitness dated no date given. Found online [Feb. 23, 2021] <https://heroboardfitness.com/collections/shop/products/h-e-r-o-b-o-a-r-d>.\*

(Continued)

*Primary Examiner* — Ryan Harvey  
(74) *Attorney, Agent, or Firm* — Honigman LLP

(57) **CLAIM**

I claim the ornamental design for a movable exercise platform, as shown and described.

**DESCRIPTION**

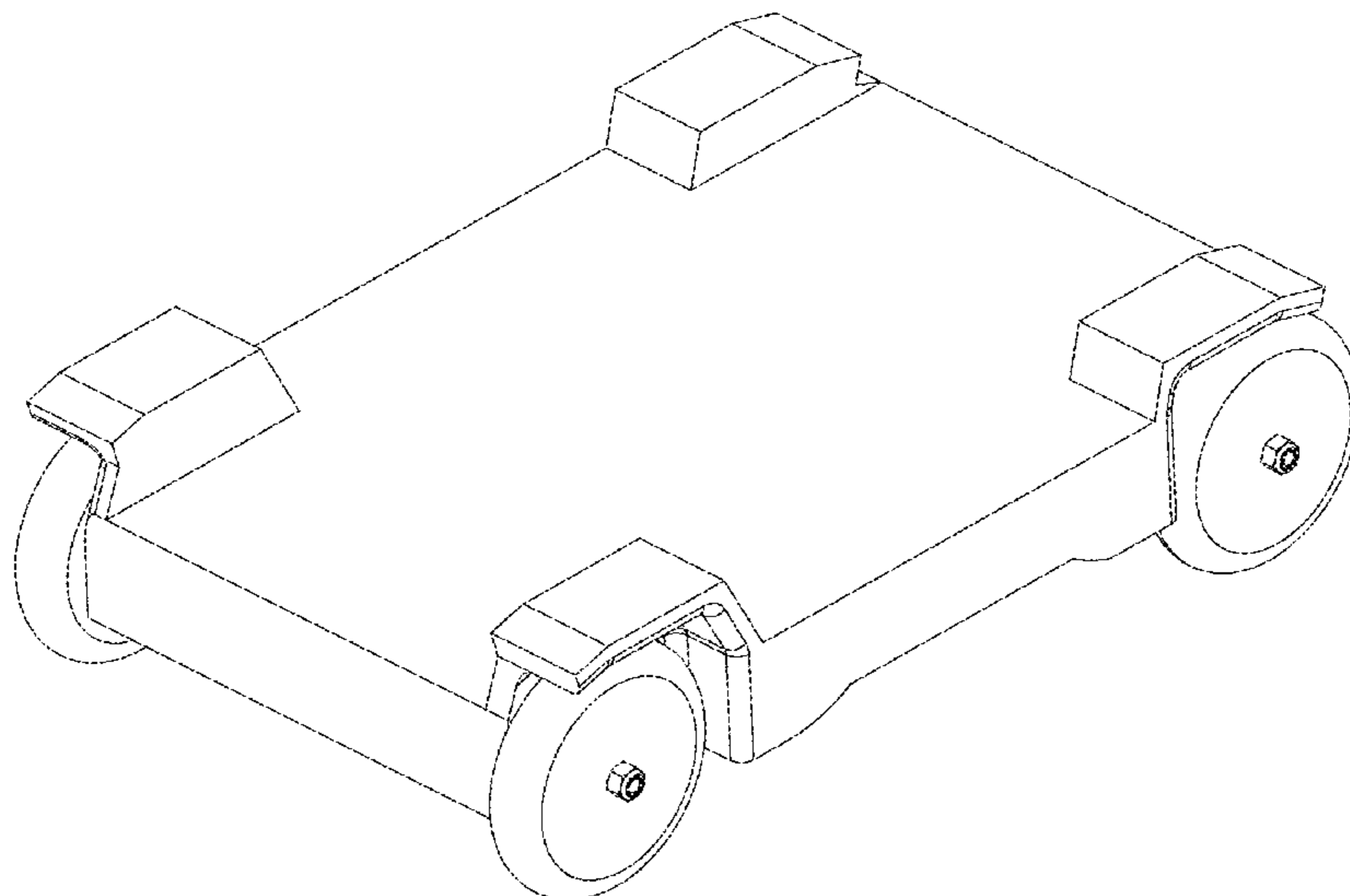
FIG. 1 is a perspective view of a movable exercise platform; FIG. 2 is a front view of the movable exercise platform of FIG. 1; FIG. 3 is a back view of the movable exercise platform of FIG. 1; FIG. 4 is a left view of the movable exercise platform of FIG. 1; FIG. 5 is a right view of the movable exercise platform of FIG. 1; FIG. 6 is a top view of the movable exercise platform of FIG. 1; and, FIG. 7 is a bottom view of the movable exercise platform of FIG. 1. The broken line showing of portions of the moveable exercise platform depicts environment and forms no part of the claim.

**1 Claim, 6 Drawing Sheets**

(56) **References Cited**

**U.S. PATENT DOCUMENTS**

- 3,062,548 A \* 11/1962 Foster ..... A63B 21/008  
473/445
- D346,252 S \* 4/1994 Jones ..... D34/23
- D351,707 S \* 10/1994 Pill ..... D34/12
- D356,412 S \* 3/1995 Hensley, Jr. .... D34/23
- D406,432 S \* 3/1999 Taylor ..... D34/23
- D406,433 S \* 3/1999 Taylor ..... D34/23
- D406,683 S \* 3/1999 Taylor ..... D34/23
- D446,264 S \* 8/2001 Fischer ..... D21/662
- 6,761,650 B1 \* 7/2004 Dettmann ..... A63B 69/345  
473/441
- D556,419 S \* 11/2007 Whiteside ..... D34/23



(56)

**References Cited**

U.S. PATENT DOCUMENTS

D739,483	S *	9/2015	Aller .....	D21/686
D748,201	S *	1/2016	Orenstein .....	D21/419
D768,788	S *	10/2016	Orenstein .....	D21/419
D789,462	S *	6/2017	Ho .....	D21/687
D795,365	S *	8/2017	Peritz .....	D21/689
D825,696	S *	8/2018	Mercenari Uribe .....	D21/671
D825,697	S *	8/2018	Mercenari Uribe .....	D21/687
D895,742	S *	9/2020	Vorozilchak .....	D21/686
10,874,897	B1 *	12/2020	Eastham, Jr. ....	A63B 21/0058
2005/0164850	A1 *	7/2005	Leibowitz .....	A63B 21/0618
				482/93
2009/0267313	A1 *	10/2009	Kalajyan .....	B62B 5/0083
				280/33.998
2010/0267533	A1 *	10/2010	Susnjara .....	A63B 22/20
				482/142
2011/0105288	A1 *	5/2011	Susnjara .....	A63B 21/0004
				482/142
2018/0243597	A1 *	8/2018	Schlegel .....	A63B 21/40
2018/0326248	A1 *	11/2018	Baumler .....	A63B 21/0056
2020/0238127	A1 *	7/2020	Wehrell .....	A63B 21/4034

OTHER PUBLICATIONS

Heroboard by heroboard dated Feb. 23, 2020. Found online [Feb. 23, 2021] <https://www.youtube.com/channel/UCVswTDfenMhQj3bFtulZe7A/videos>.\*

\* cited by examiner

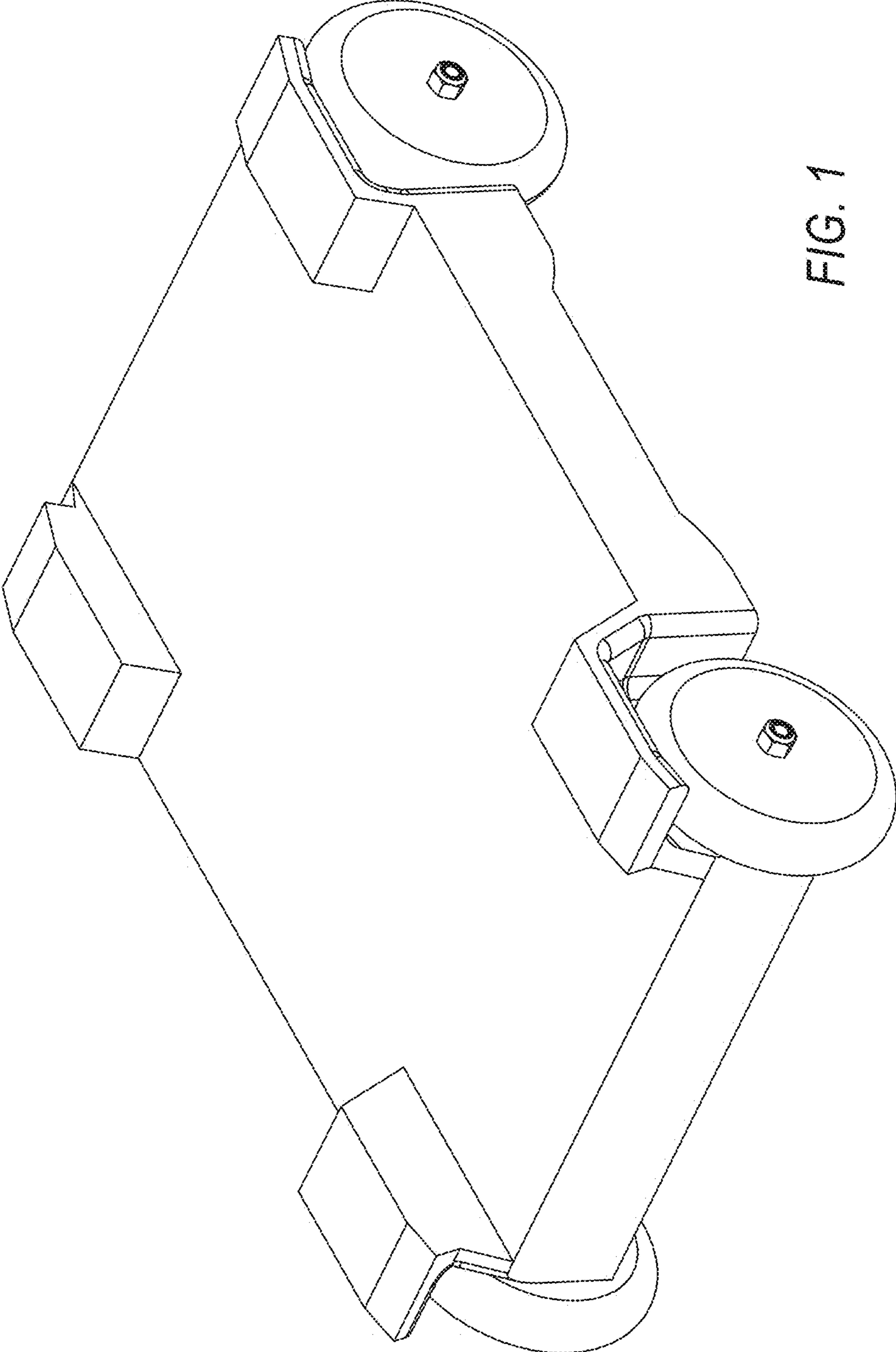


FIG. 1



FIG. 2

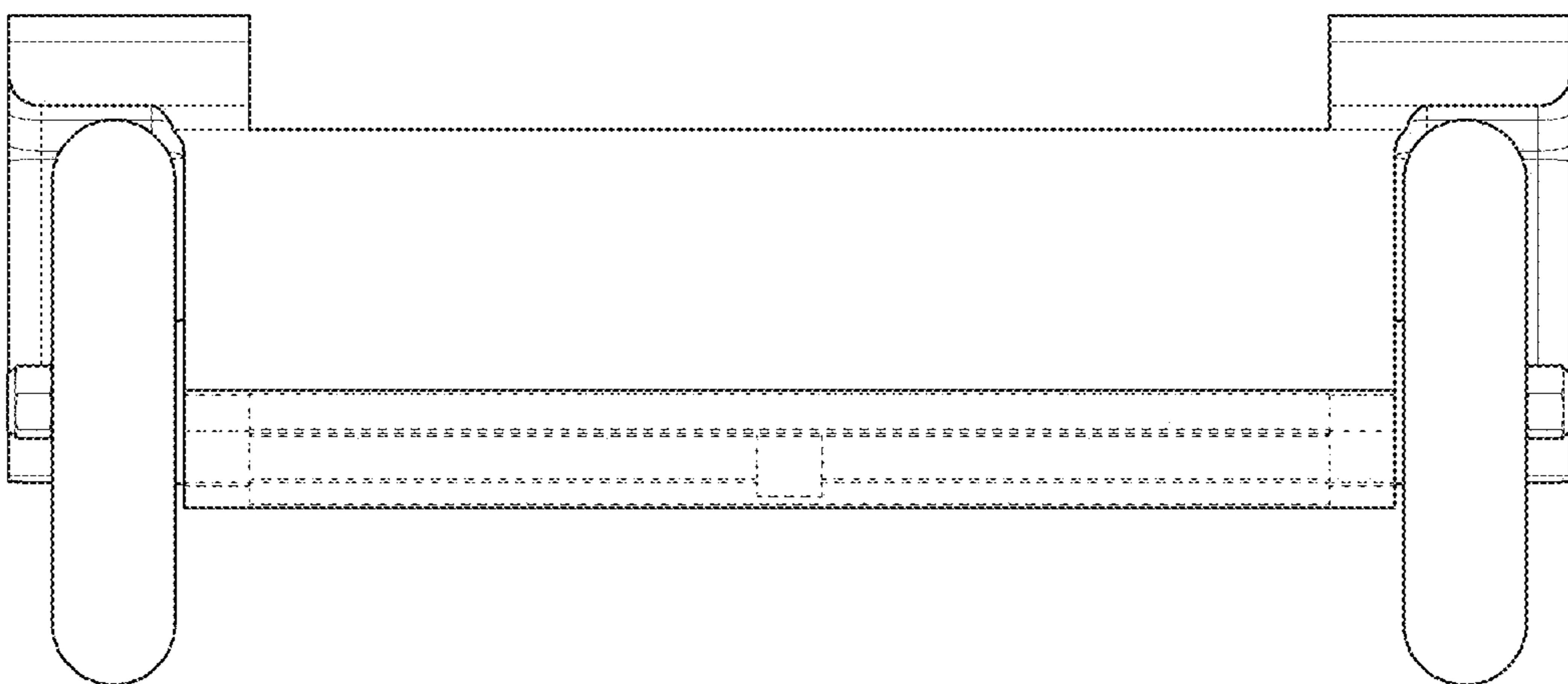


FIG. 3

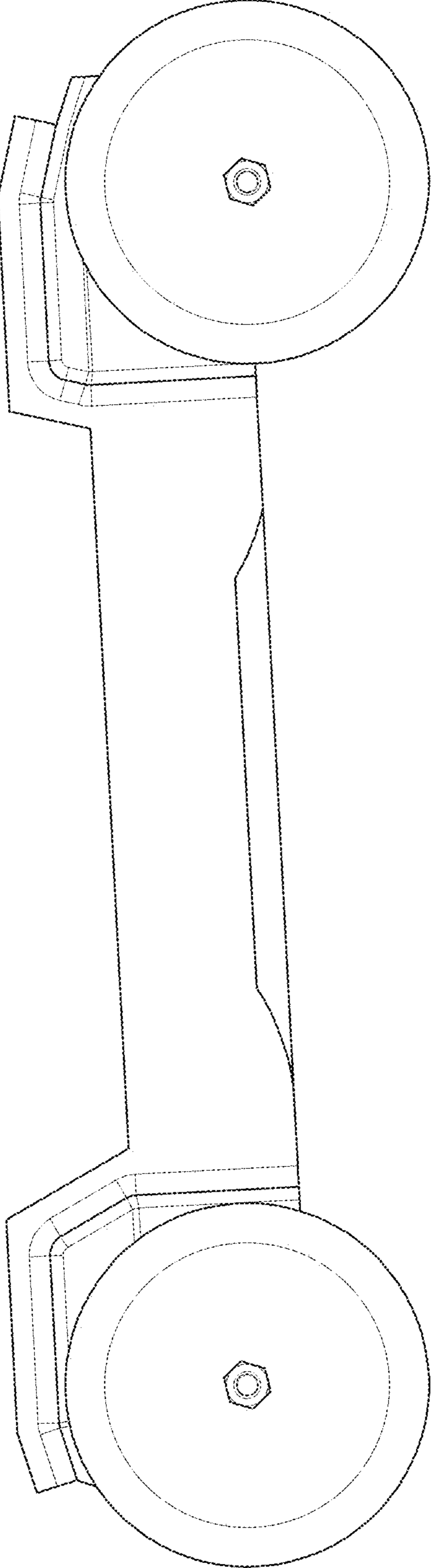


FIG. 4

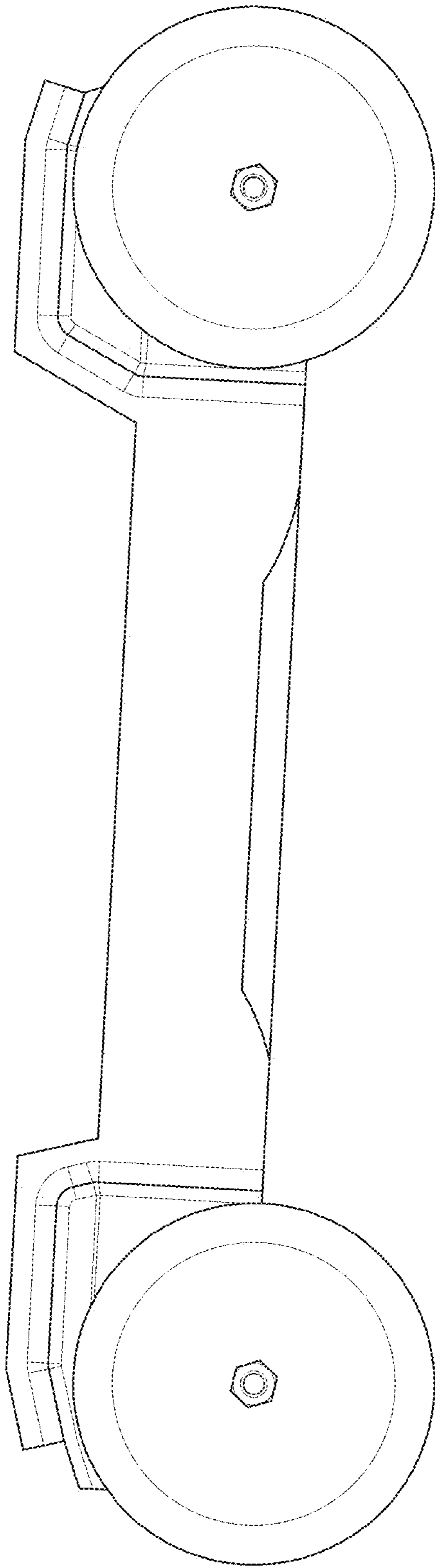


FIG. 5

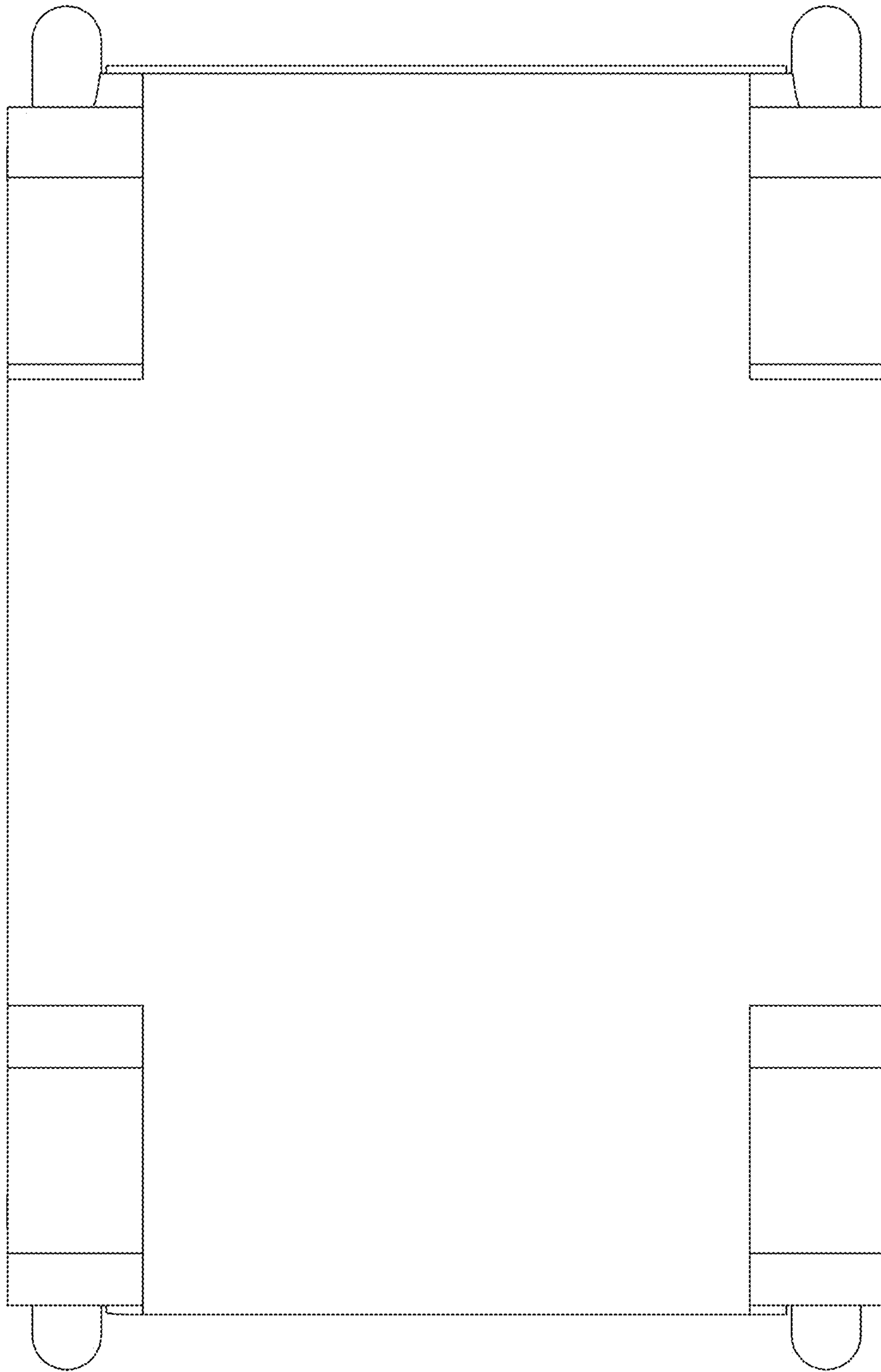


FIG. 6

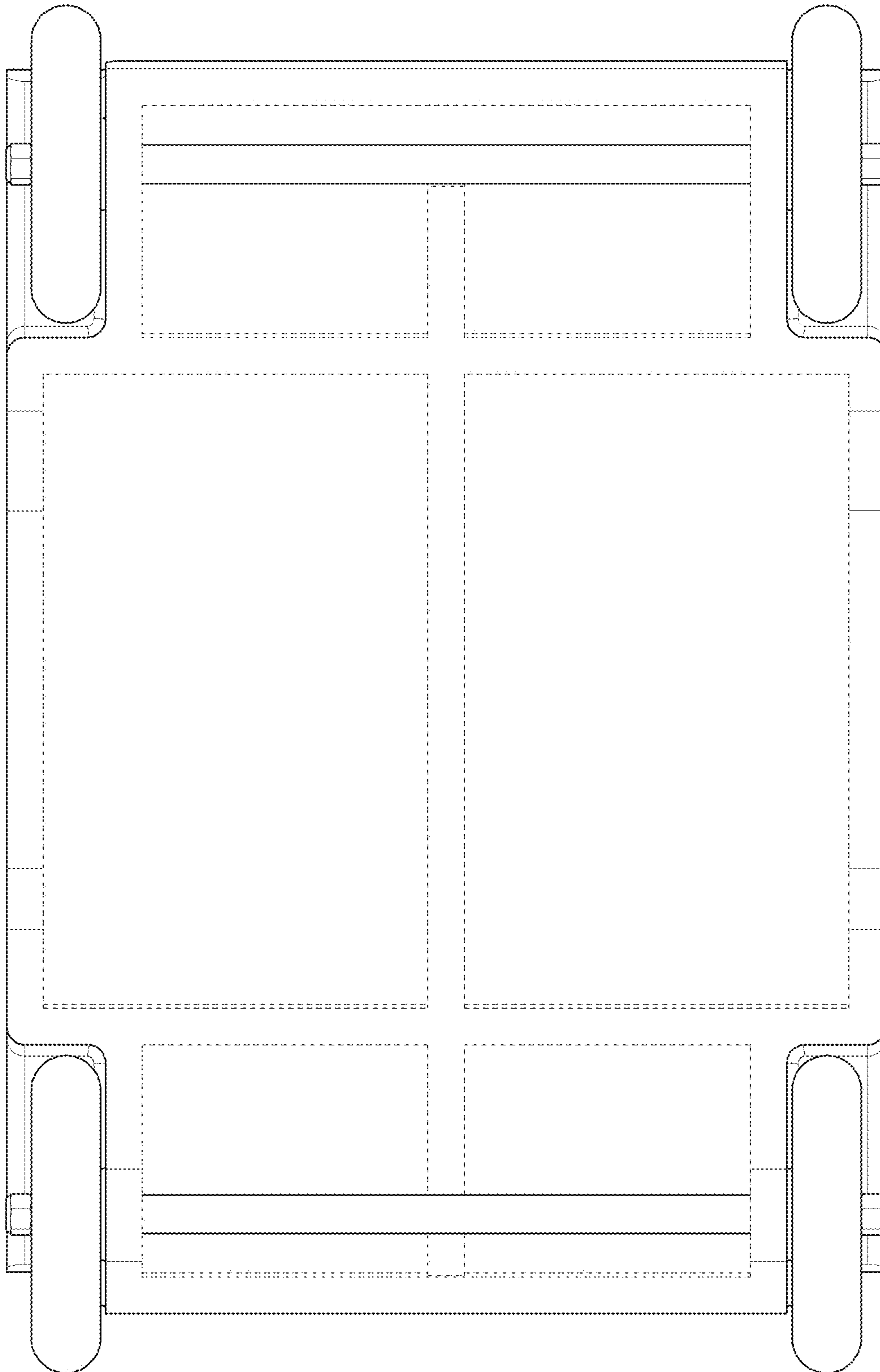


FIG. 7