



US00D941937S

(12) **United States Design Patent**
McGuire

(10) **Patent No.:** **US D941,937 S**

(45) **Date of Patent:** **** Jan. 25, 2022**

(54) **BELT WITH INNER PROJECTIONS**

(71) Applicant: **Erin McGuire**, Burbank, CA (US)

(72) Inventor: **Erin McGuire**, Burbank, CA (US)

(**) Term: **15 Years**

(21) Appl. No.: **29/676,093**

(22) Filed: **Jan. 8, 2019**

Related U.S. Application Data

(63) Continuation of application No. 14/994,054, filed on Jan. 12, 2016, now abandoned.

(51) **LOC (13) Cl.** **21-02**

(52) **U.S. Cl.**
USPC **D21/662**

(58) **Field of Classification Search**
USPC 434/247; D24/200, 190, 206, 215, 211;
128/96.1, 898; 482/121, 124, 148;
601/1, 143, 19, 61, 134; 600/204.15,
600/204, 203; 602/74, 62, 20, 19, 13;
D21/662, 694

CPC A63B 21/0552; A63B 21/0557; A63B
21/0442; A63B 21/4025; A63B 21/4009;
A63B 21/065; A61F 5/03; A61F 5/028

See application file for complete search history.

(56) **References Cited**

U.S. PATENT DOCUMENTS

- 1,324,975 A * 12/1919 Morris A61F 13/12
602/74
- 1,919,062 A * 7/1933 Haynes A61H 11/02
601/143
- 2,671,899 A * 3/1954 Kroger A61F 5/0009
450/94
- 4,159,020 A * 6/1979 von Soiron A61F 5/26
601/1
- 4,243,028 A * 1/1981 Puyana A61F 13/108
602/62

- 4,273,130 A * 6/1981 Simpson A61B 17/1322
128/DIG. 15
- D274,557 S * 7/1984 Griffith, III D2/627
- 4,592,342 A * 6/1986 Salmasian A61F 5/0009
128/898
- 4,628,918 A * 12/1986 Johnson, Jr. A61F 13/108
128/DIG. 20
- 5,078,728 A * 1/1992 Giarratano A61H 39/04
606/201
- 5,295,996 A * 3/1994 Blair A61B 17/1325
128/119.1
- 5,695,520 A * 12/1997 Bruckner A61B 17/1325
606/201
- 6,238,413 B1 * 5/2001 Wexler A61F 5/30
601/132

(Continued)

OTHER PUBLICATIONS

Core 360 by core 360 dated no date given. Found online [Aug. 9, 2021] <https://core360belt.com/>.*

(Continued)

Primary Examiner — Ryan Harvey

(74) *Attorney, Agent, or Firm* — James A. Italia; Italia IP

(57) **CLAIM**

The ornamental design for a belt with inner projections, as shown and described.

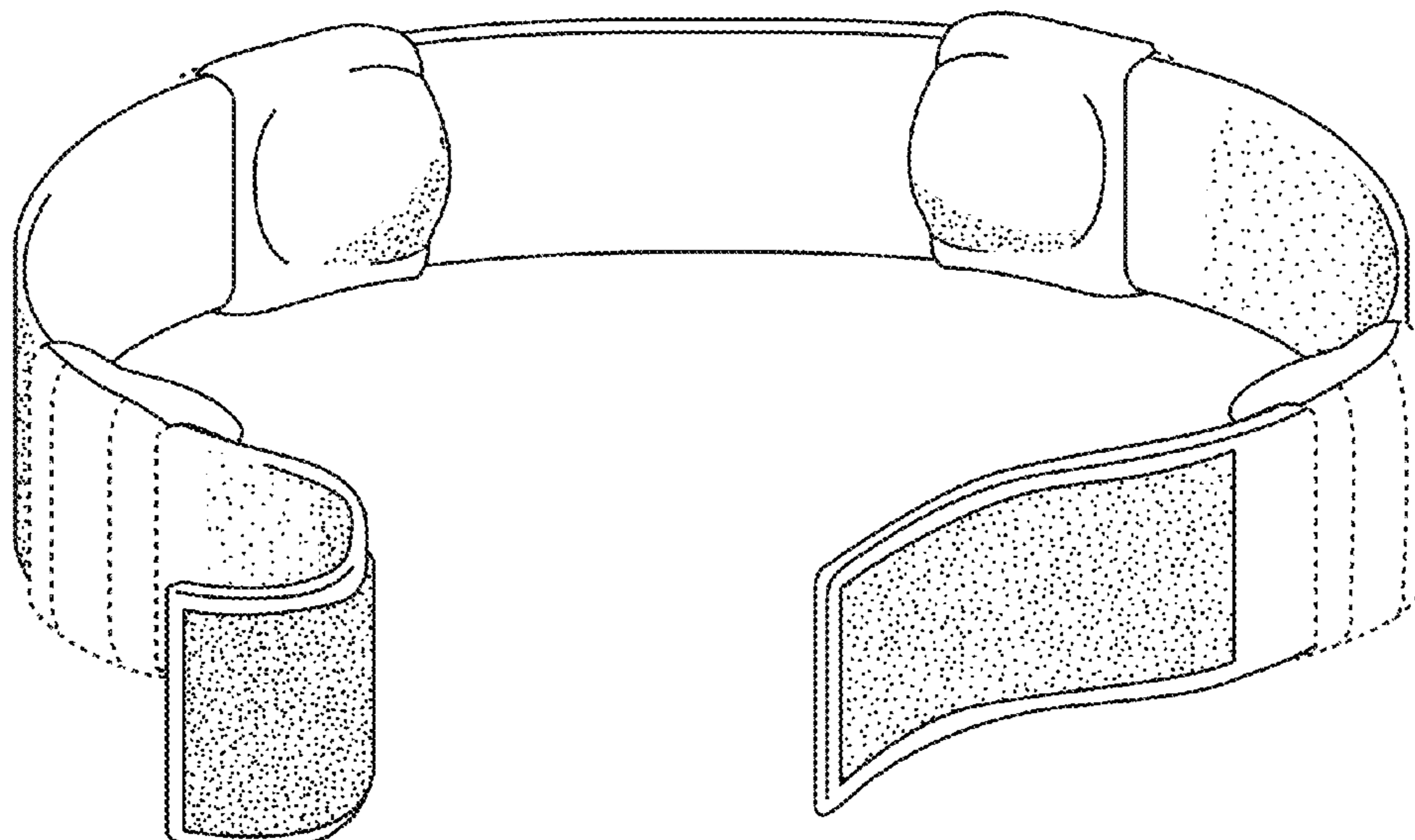
DESCRIPTION

FIG. 1 is a perspective view of the belt with inner projections showing my new design;

FIG. 2 is a perspective view of the inner surface of the belt; and,

FIG. 3 is a perspective view of the outer surface of the belt. In the drawings, the broken lines are for the purpose of illustrating environmental subject matter only and form no part of the claimed invention.

1 Claim, 3 Drawing Sheets



(56)

References Cited

U.S. PATENT DOCUMENTS

6,645,128 B1 * 11/2003 Hur A63B 21/0004
 482/105
 D488,842 S * 4/2004 Mills D21/662
 6,773,449 B2 * 8/2004 Wexler A61F 5/30
 606/204.15
 7,264,600 B2 * 9/2007 Brinston, Sr. A61H 11/00
 601/61
 D566,288 S * 4/2008 Chuang D24/206
 7,490,602 B2 * 2/2009 Sabri A61F 5/0009
 128/102.1
 7,749,146 B2 * 7/2010 Burns A63B 21/0555
 482/148
 8,613,693 B2 * 12/2013 Mandel A63B 21/0555
 482/121
 8,821,425 B2 * 9/2014 Cox A61F 5/01
 602/20
 D764,676 S * 8/2016 Turley D24/215
 D831,836 S * 10/2018 Campdera Lozano D24/200

D910,858 S * 2/2021 Marton D24/190
 11,045,682 B1 * 6/2021 Hicks A63B 21/06
 2008/0289623 A1 * 11/2008 Lee A61F 5/0193
 128/96.1
 2009/0192423 A1 * 7/2009 Halmos A61H 11/00
 601/134
 2010/0076358 A1 * 3/2010 Richardson A63B 23/0244
 602/19
 2015/0356883 A1 * 12/2015 McGuire G09B 19/003
 434/247
 2016/0140866 A1 * 5/2016 McGuire A61B 5/296
 434/247
 2019/0333407 A1 * 10/2019 McGuire A61B 5/6823

OTHER PUBLICATIONS

Core 360belt by core360 belt dated Nov. 17, 2017. Found online [Aug. 9, 2021] <https://www.youtube.com/watch?v=VFoKWzXSoLg> (Year: 2017).*

* cited by examiner

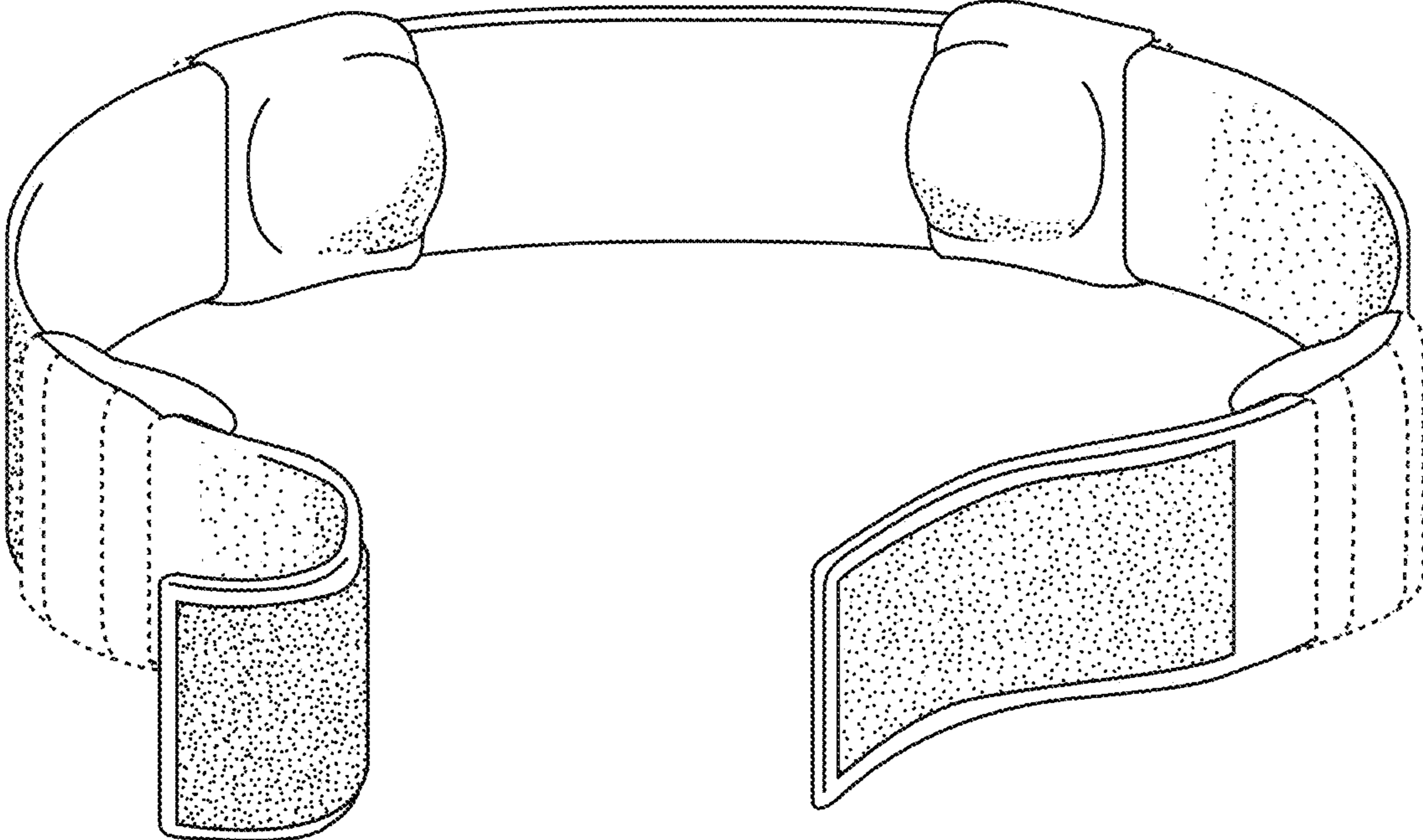


FIG. 1

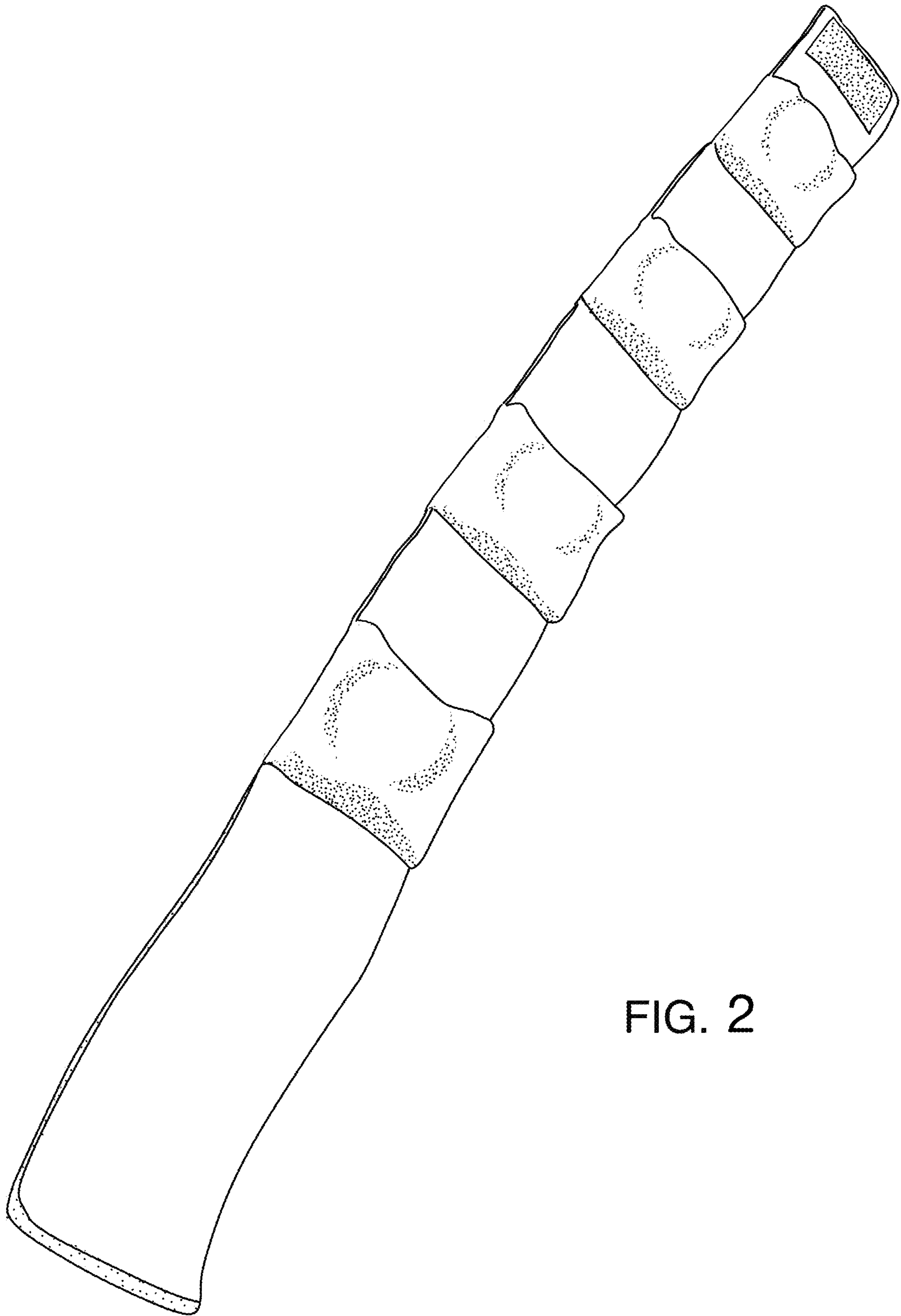


FIG. 2

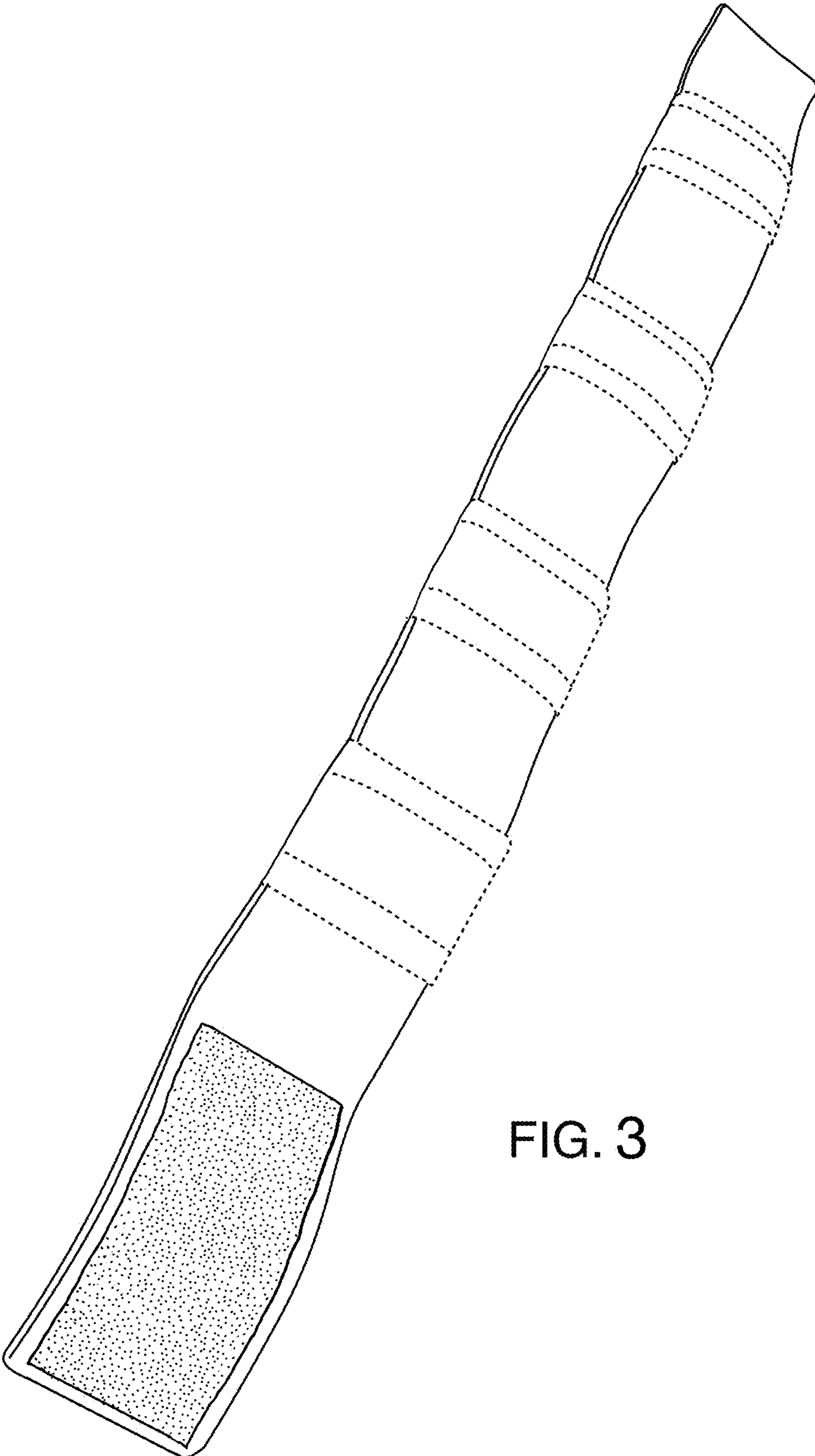


FIG. 3