

US00D941935S

(12) **United States Design Patent**
Fedrick

(10) **Patent No.:** **US D941,935 S**

(45) **Date of Patent:** **** Jan. 25, 2022**

(54) **SNOWMAN MOLD**

(71) Applicant: **Kevin Randall Fedrick**, Fort Washington, MD (US)

(72) Inventor: **Kevin Randall Fedrick**, Fort Washington, MD (US)

(73) Assignee: **Kevin Randall Fedrick**, Fort Washington, MD (US)

(**) Term: **15 Years**

(21) Appl. No.: **29/736,089**

(22) Filed: **May 27, 2020**

(51) **LOC (13) Cl.** **21-01**

(52) **U.S. Cl.**
USPC **D21/629; D11/121**

(58) **Field of Classification Search**
USPC D21/621, 629; D11/117, 121, 125;
D7/672, 675, 676
CPC A63H 3/00; A63H 3/001; A63H 3/003;
A63H 3/02; A63H 3/04; A63H 3/10
See application file for complete search history.

(56) **References Cited**

U.S. PATENT DOCUMENTS

| | | | |
|--------------|---------|-------------------|---------|
| D375,964 S * | 11/1996 | Poubouridis | D15/136 |
| D411,069 S * | 6/1999 | Bear | D6/599 |
| D448,515 S * | 9/2001 | Sehl | D26/99 |
| D456,219 S * | 4/2002 | Kracke | D11/128 |
| D487,878 S * | 3/2004 | Ostermann | D11/118 |
| D499,355 S * | 12/2004 | Yang | D11/121 |
| D503,125 S * | 3/2005 | Federic | D11/121 |
| D528,351 S * | 9/2006 | Morgan | D7/354 |

| | | | |
|-----------------|--------|----------------|---------|
| D535,348 S * | 1/2007 | Sammann | D21/398 |
| D542,702 S * | 5/2007 | Harper | D11/124 |
| D543,484 S * | 5/2007 | Peterson | D11/125 |
| D684,019 S * | 6/2013 | Facey | D7/674 |
| 2018/0071649 A1 | 3/2018 | Fedrick | |

* cited by examiner

Primary Examiner — Zenia I Bennett

(74) *Attorney, Agent, or Firm* — Baker & McKenzie

(57) **CLAIM**

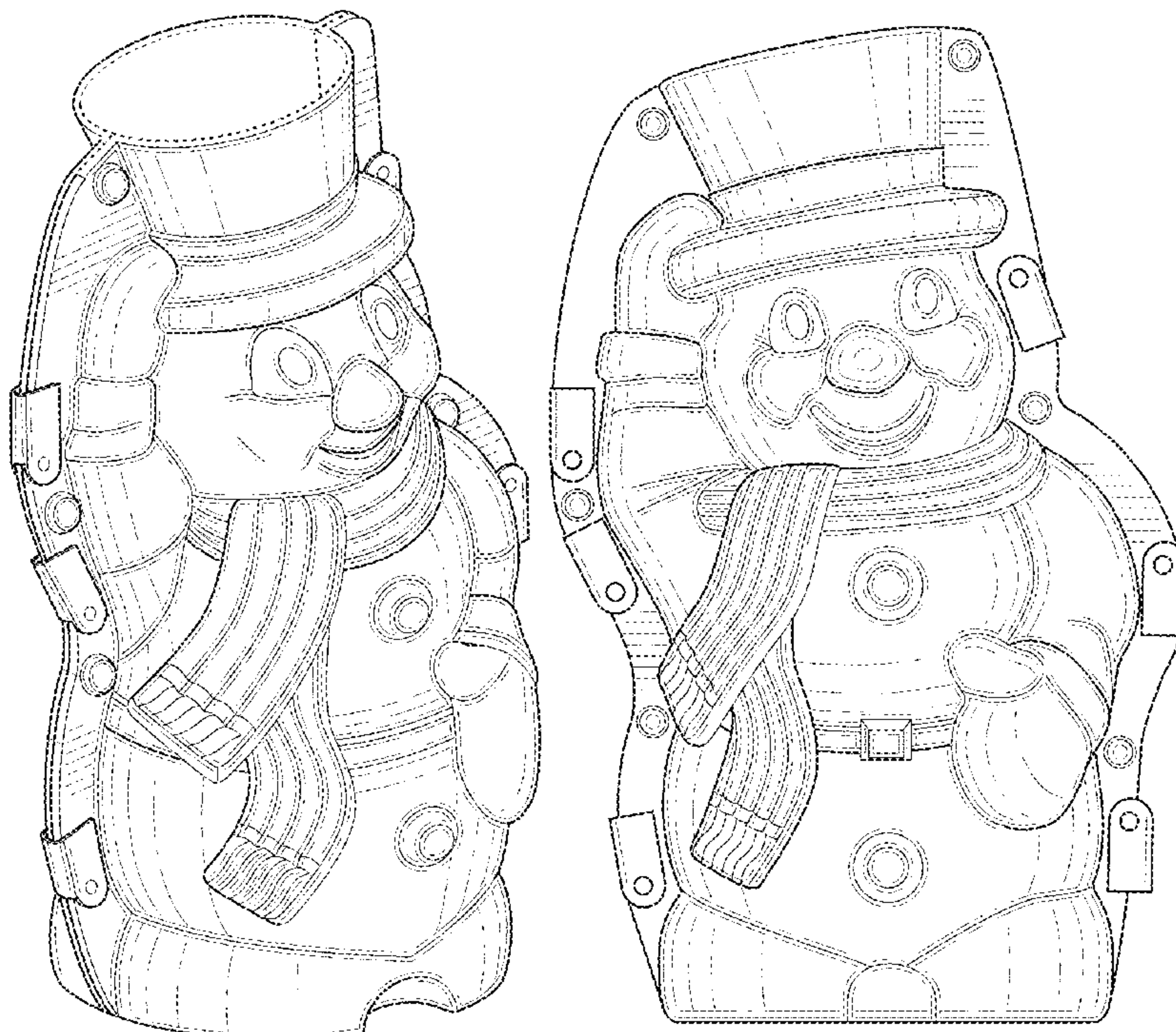
The ornamental design for a snowman mold, as shown and described.

DESCRIPTION

FIG. 1 is a perspective view of a snowman mold in accordance with my design;
 FIG. 2 is a front view of a snowman mold in accordance with my design;
 FIG. 3 is a back view of a snowman mold in accordance with my design;
 FIG. 4 is a left side view of a snowman mold in accordance with my design;
 FIG. 5 is a right side view of a snowman mold in accordance with my design;
 FIG. 6 is a top view of a snowman mold in accordance with my design; and,
 FIG. 7 is a bottom view of a snowman mold in accordance with my design.

The dot dash lines shown in the figures depict boundaries of the claimed design and form no part of the claimed design. The dashed lines shown in the figures depict structure that forms no part of the claimed design.

1 Claim, 6 Drawing Sheets



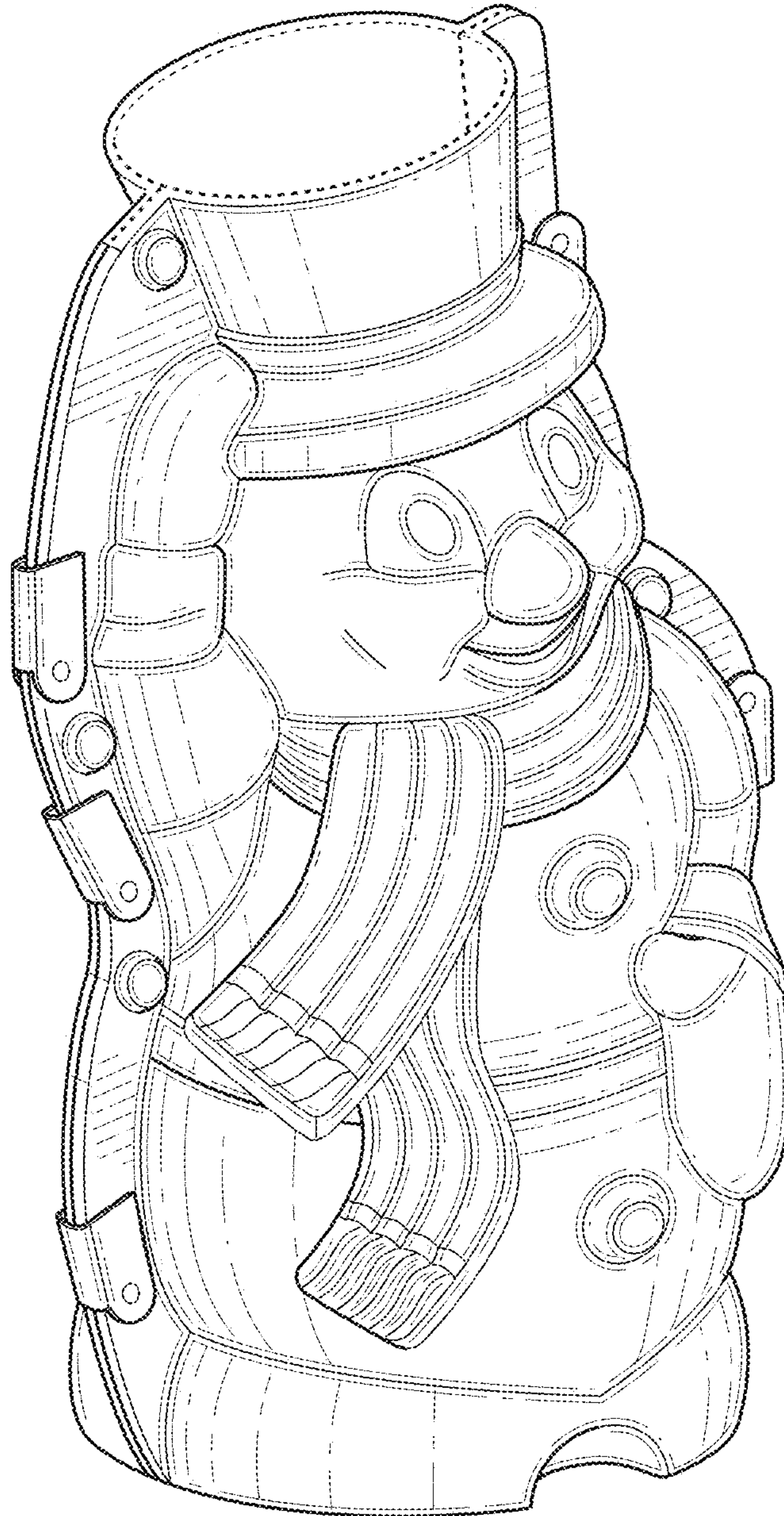


FIG. 1

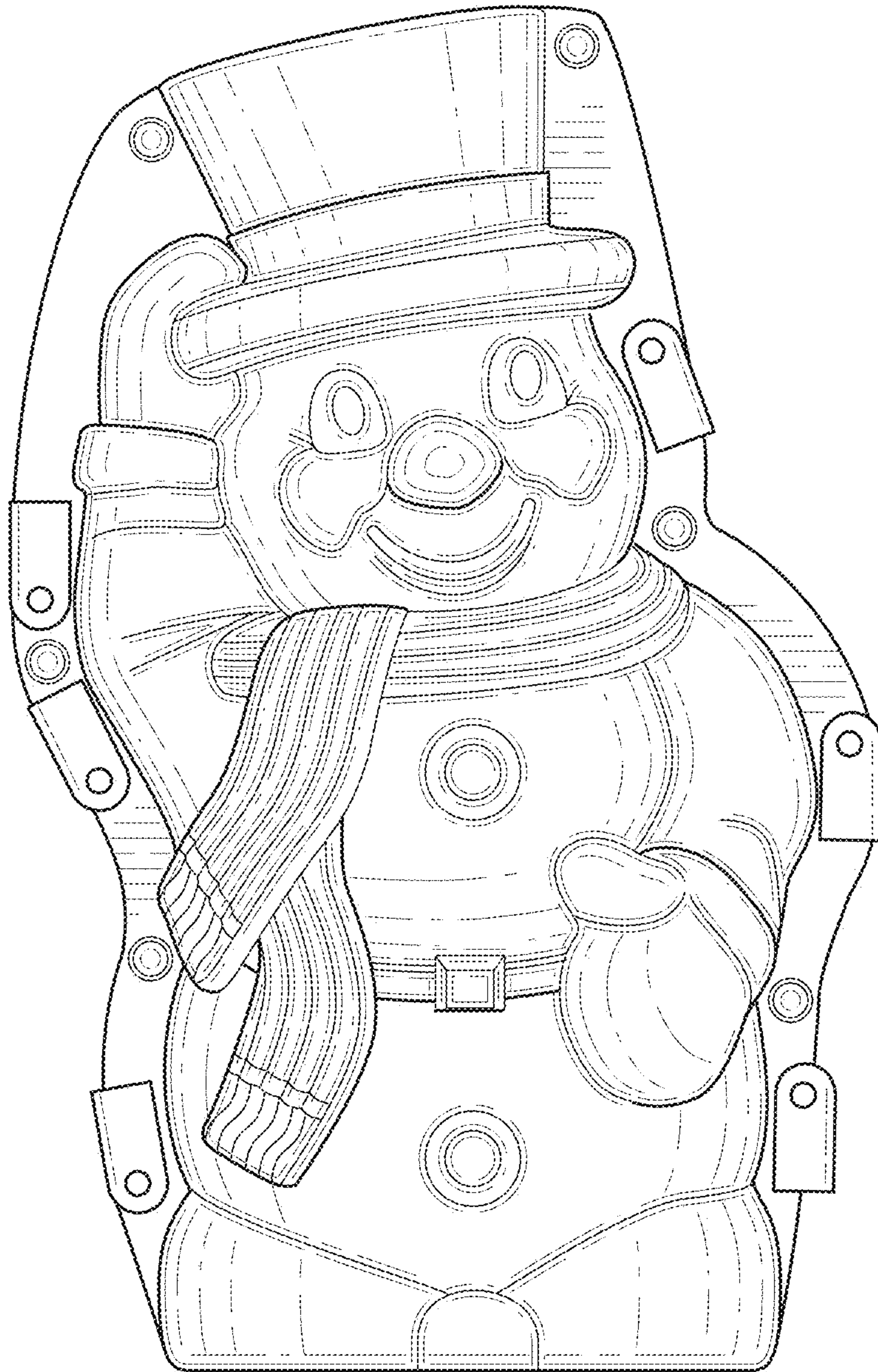


FIG. 2

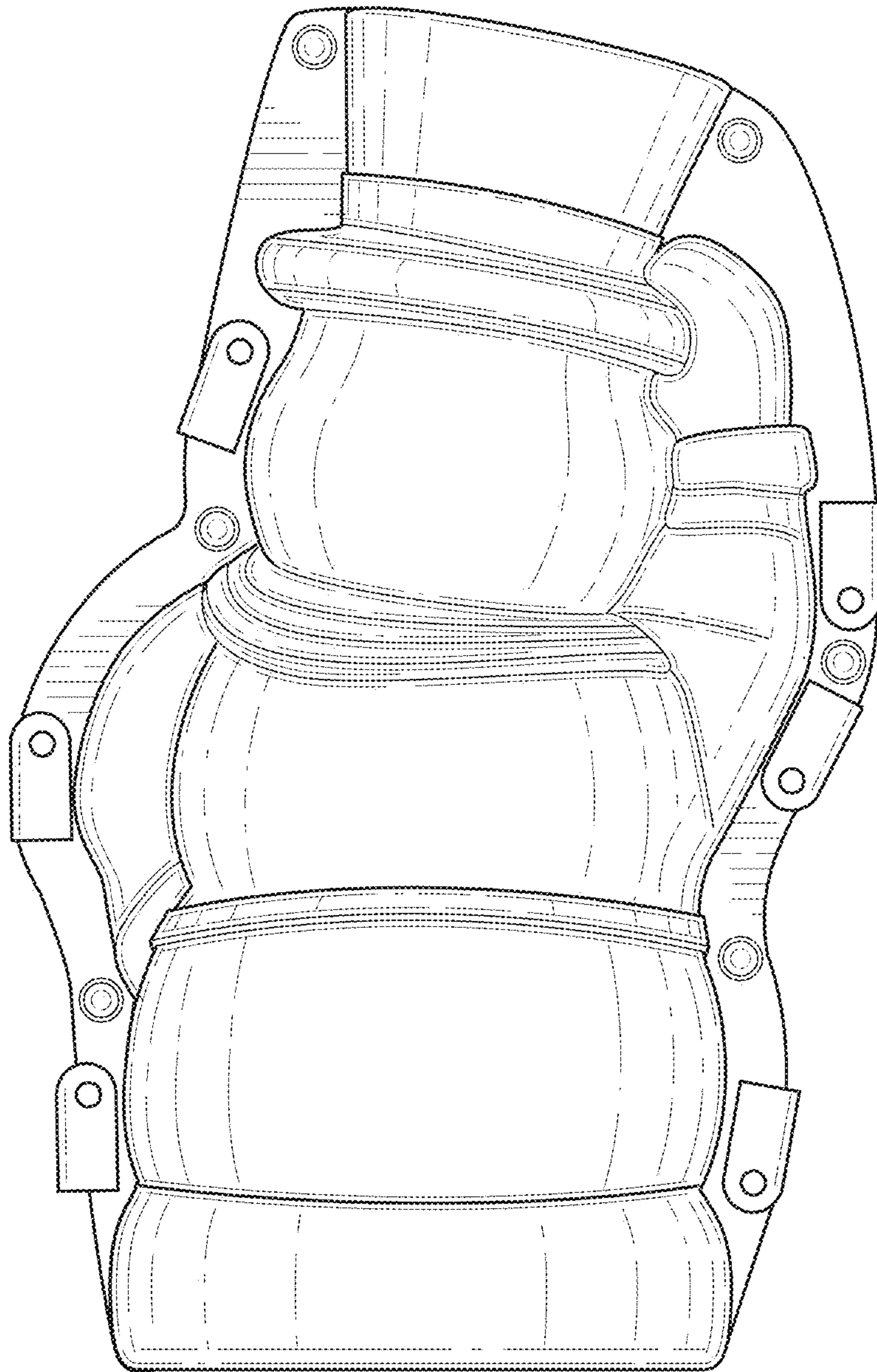


FIG. 3

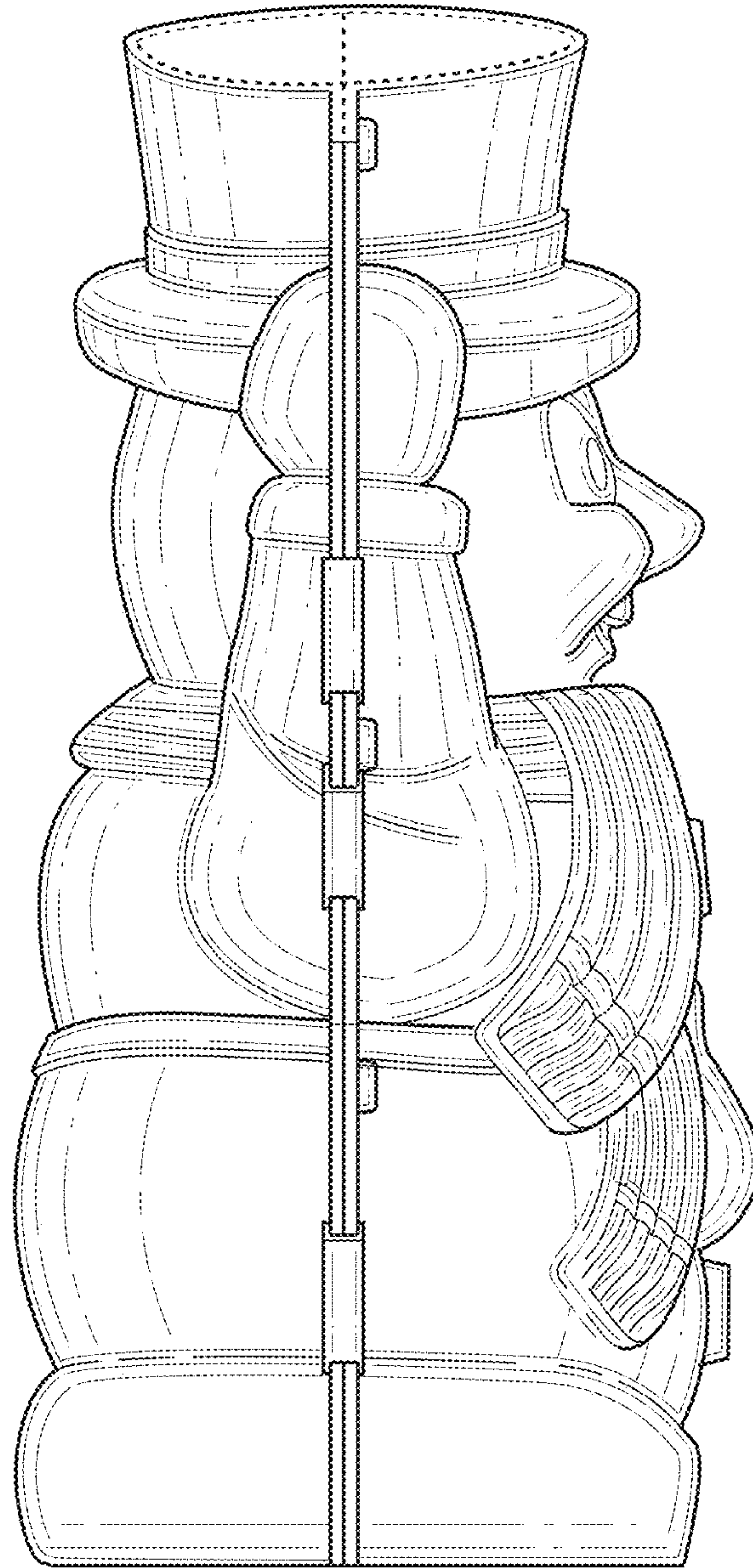


FIG. 4

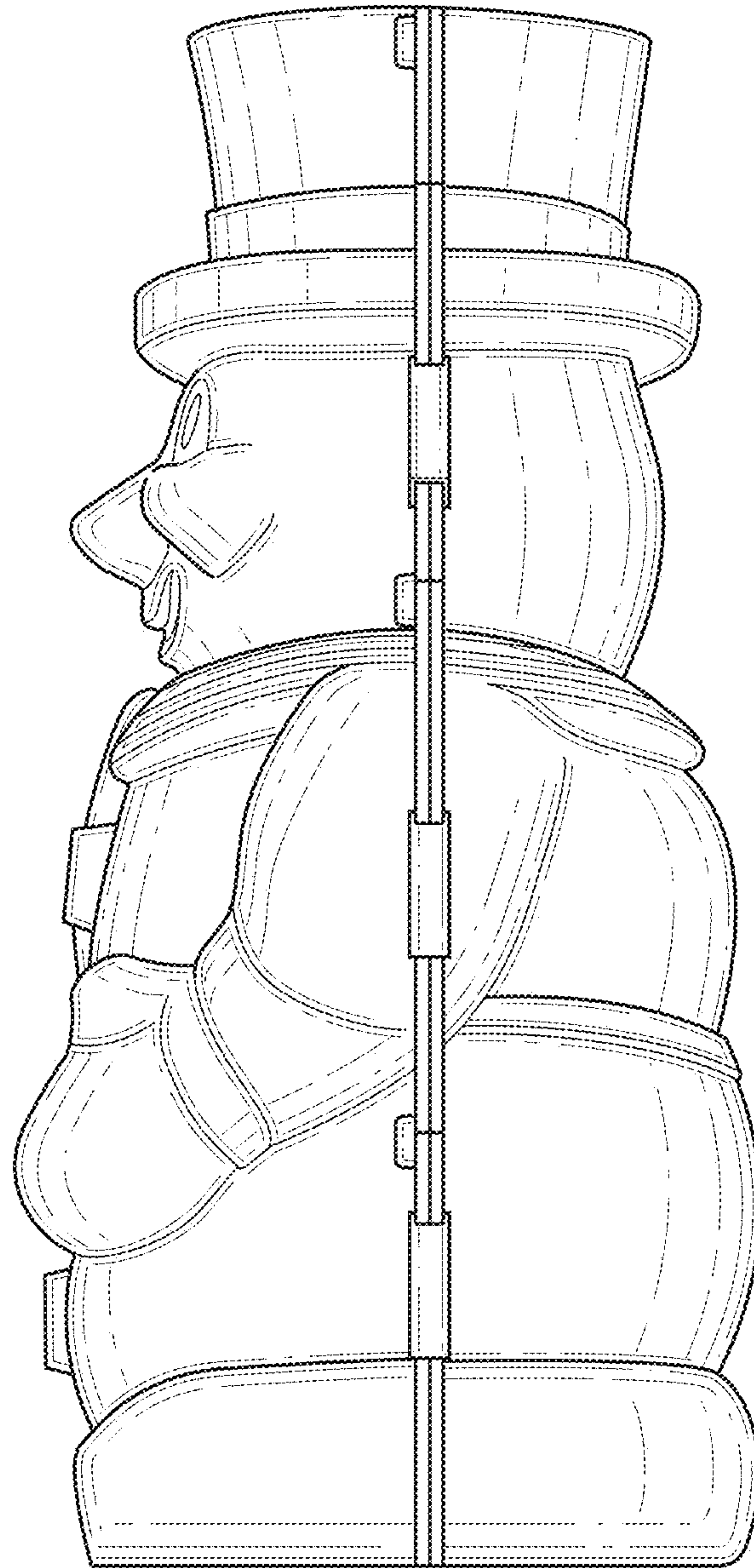


FIG. 5

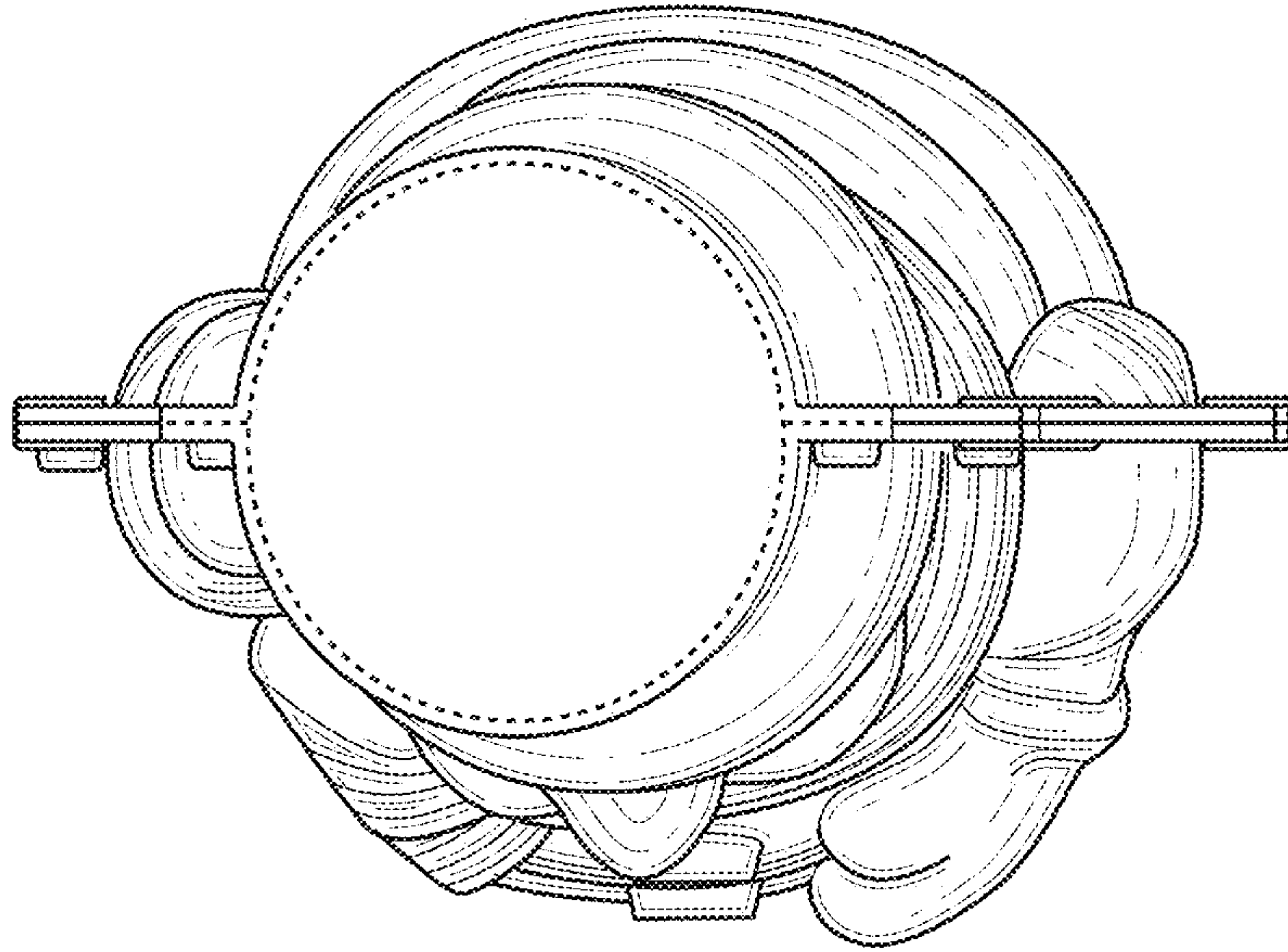


FIG. 6

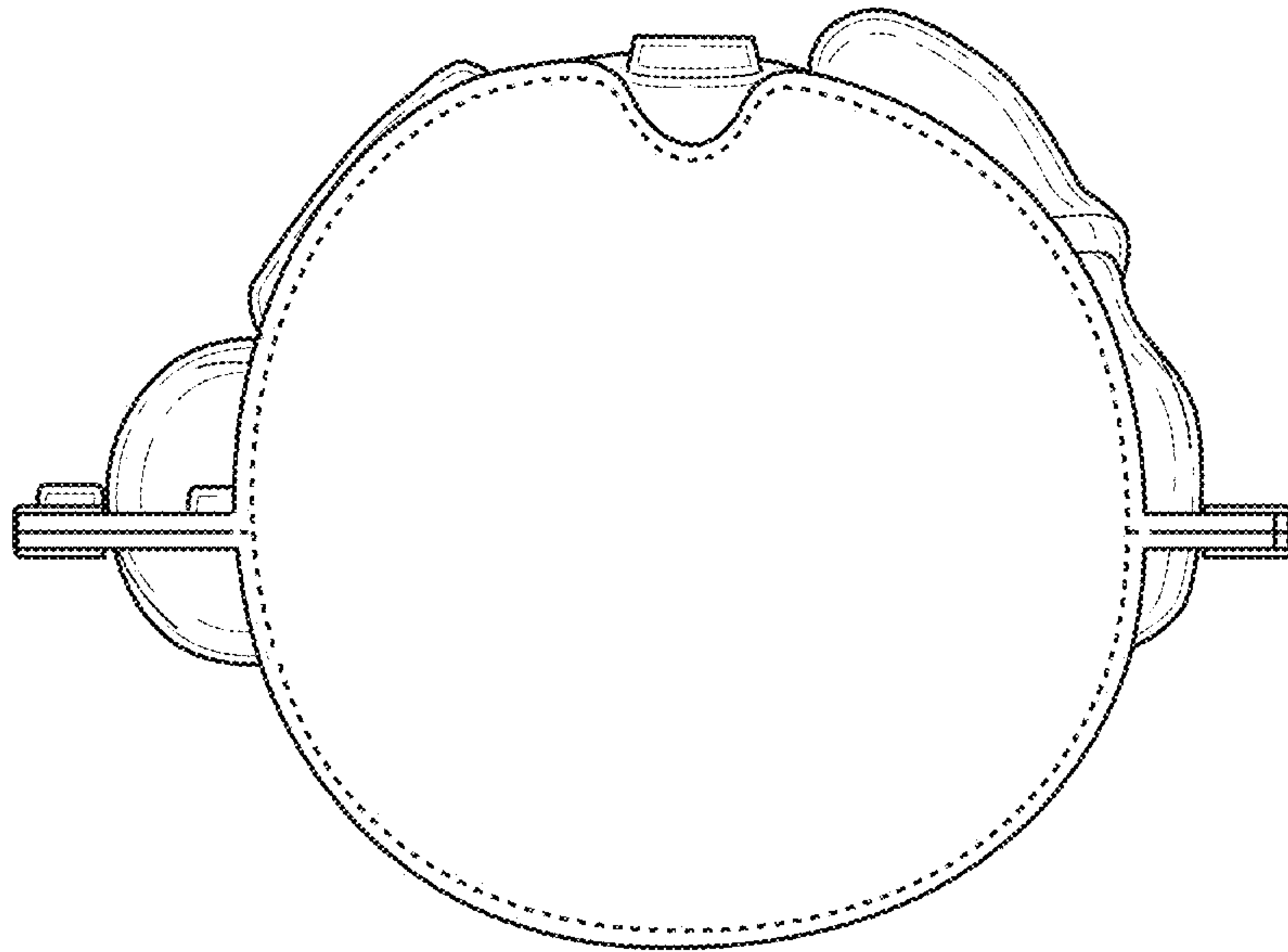


FIG. 7