



US00D941933S

(12) **United States Design Patent** (10) **Patent No.:** **US D941,933 S**  
**Li** (45) **Date of Patent:** **\*\* Jan. 25, 2022**

(54) **TOY CAR**  
(71) Applicant: **Hengwei Li**, Shantou (CN)  
(72) Inventor: **Hengwei Li**, Shantou (CN)  
(73) Assignee: **Shenzhen Shanzhong Technology Co., Ltd.**, Shenzhen (CN)

D203,304 S \* 12/1965 Douglas ..... D9/675  
3,235,021 A \* 2/1966 Hill ..... B62D 21/183  
180/249  
3,238,665 A \* 3/1966 Doe ..... A63H 17/25  
446/272

(Continued)

(\*\*) Term: **15 Years**  
(21) Appl. No.: **29/765,104**

FOREIGN PATENT DOCUMENTS

CN 304415309 \* 12/2017  
CN 304607574 \* 5/2018  
CN 306119534 \* 10/2020

(22) Filed: **Jan. 6, 2021**  
(51) **LOC (13) Cl.** ..... **21-01**  
(52) **U.S. Cl.**  
USPC ..... **D21/550; D21/483; D21/533; D21/548;**  
**D21/549**

OTHER PUBLICATIONS

“Mercedes-Benz Racing Car (Dinky Toys 23c),” 1936, brightontoymuseum.co.uk, site visited Dec. 2, 2021, URL: [\(https://www.brightontoymuseum.co.uk/index/Mercedes-Benz\\_Racing\\_Car\\_\(Dinky\\_Toys\\_23c\)\)](https://www.brightontoymuseum.co.uk/index/Mercedes-Benz_Racing_Car_(Dinky_Toys_23c)) (Year: 1936).\*

(Continued)

(58) **Field of Classification Search**  
USPC ..... D21/537, 533, 552, 548, 424, 434, 419,  
D21/427, 433, 530, 539, 550, 551, 561,  
D21/562, 549; D12/12, 82, 83, 84, 86,  
D12/87, 88, 91  
CPC ... A63H 7/00; A63H 7/02; A63H 7/04; A63H  
17/004; A63H 17/25; B62D 35/00  
See application file for complete search history.

*Primary Examiner* — Eric L Goodman  
*Assistant Examiner* — Sarah L Smith

(57) **CLAIM**

The ornamental design for a toy car, as shown and described.

(56) **References Cited**

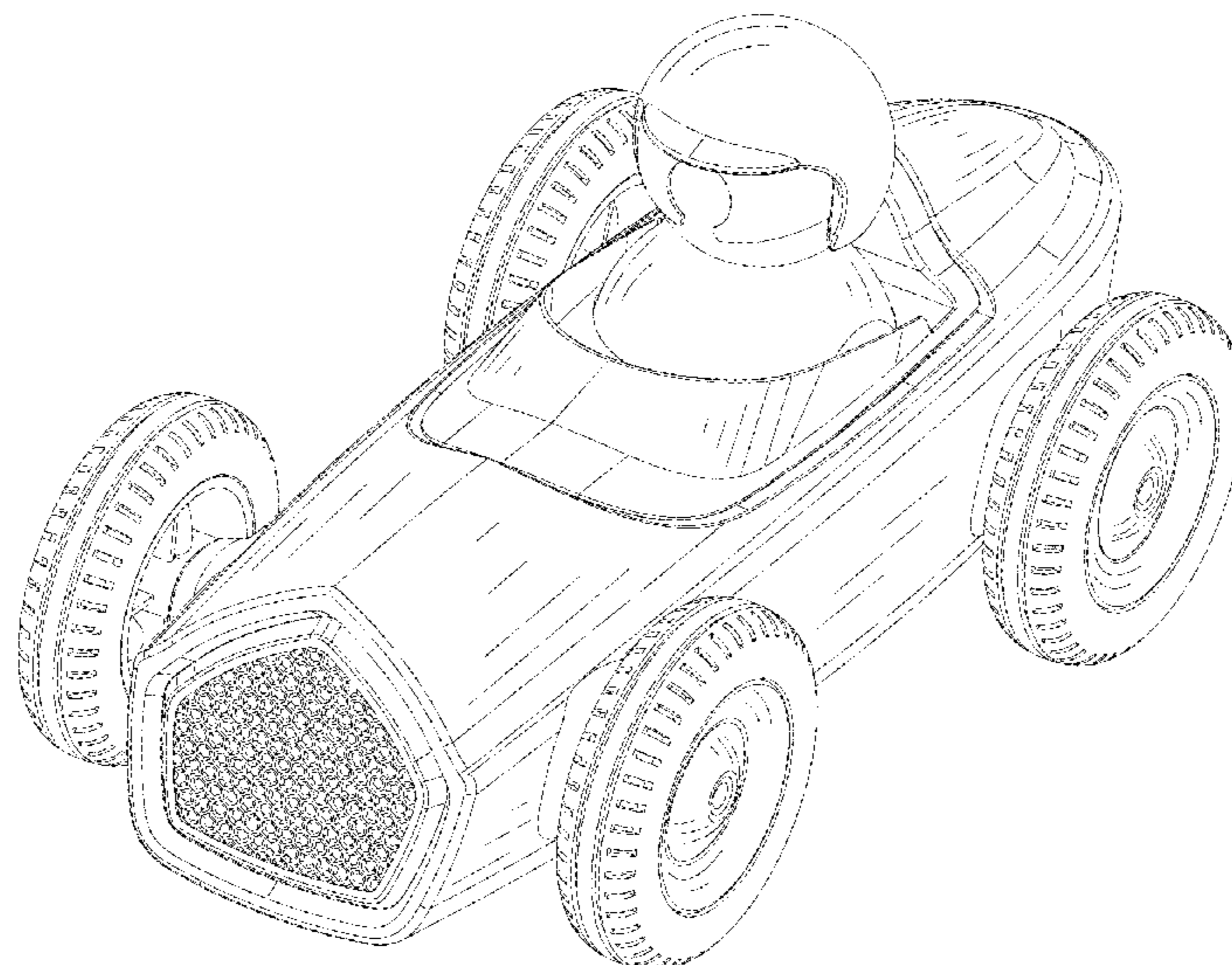
**DESCRIPTION**

U.S. PATENT DOCUMENTS

D46,327 S \* 8/1914 Stephens ..... D12/91  
1,804,313 A \* 5/1931 Brubaker ..... A63H 17/25  
446/279  
1,903,693 A \* 4/1933 Denniston ..... B62D 35/00  
180/89.1  
2,247,354 A \* 7/1941 Berger ..... A63H 17/004  
446/437  
D170,171 S \* 8/1953 Stevens ..... D12/88  
3,016,024 A \* 1/1962 Silver ..... A63H 30/02  
104/305  
D199,414 S \* 10/1964 Douglas ..... D9/675  
D202,180 S \* 9/1965 Exner ..... D12/92  
D203,255 S \* 12/1965 Ryan ..... A63H 7/04  
D12/88

FIG. 1 is a front, top perspective view of the toy car showing my new design;  
FIG. 2 is a rear, bottom perspective view thereof;  
FIG. 3 is a front elevation view thereof;  
FIG. 4 is a rear elevation view thereof;  
FIG. 5 is a left side elevation view thereof;  
FIG. 6 is a right side elevation view thereof;  
FIG. 7 is a top plan view thereof; and,  
FIG. 8 is a bottom plan view thereof.  
The broken lines in the figure depict the portions of the article that form no part of the claimed design.

**1 Claim, 8 Drawing Sheets**



(56)

References Cited

U.S. PATENT DOCUMENTS

3,292,968 A \* 12/1966 Halibrand ..... B62D 21/183  
 296/181.4  
 D217,874 S \* 6/1970 French ..... D21/763  
 D219,525 S \* 12/1970 Tauranac ..... D21/550  
 3,581,435 A \* 6/1971 Wingrove ..... A63H 7/04  
 446/279  
 D221,165 S \* 7/1971 Broadley ..... A63H 17/25  
 D21/550  
 D237,789 S \* 11/1975 Weiffenbach ..... D12/91  
 D269,100 S \* 5/1983 Reder ..... A63H 30/02  
 D21/551  
 D298,443 S \* 11/1988 Chammah ..... D21/548  
 D345,771 S \* 4/1994 Angiolella ..... A63H 17/004  
 D21/550  
 D548,138 S \* 8/2007 Geslin ..... D12/87  
 D549,787 S \* 8/2007 Chen ..... D21/548  
 D579,060 S \* 10/2008 Brockmeyer ..... A63H 17/25  
 D21/424  
 D620,539 S \* 7/2010 Badanjo ..... B62D 21/183  
 D21/551  
 D698,870 S \* 2/2014 Lee ..... D21/551

D803,329 S \* 11/2017 Tompkin ..... B62D 21/183  
 D21/550  
 D868,905 S \* 12/2019 Tompkin ..... D21/550  
 D888,839 S \* 6/2020 Herlitz ..... D21/433  
 D915,469 S \* 4/2021 Ninomiya ..... D15/25  
 D931,383 S \* 9/2021 Chen ..... D21/533

OTHER PUBLICATIONS

“Wooden Wonders Pack of 3 Pull-Back Derby Racers,” Aug. 16, 2017 (Q&A), amazon.com, site visited Dec. 2, 2021, URL: [https://www.amazon.com/Wonders-Pull-Back-Predators-Imagination-Generation/dp/B01NA7CTXU/ref=sr\\_1\\_47?keywords=toy+pull+race+car&qid=1638457728&sr=8-47](https://www.amazon.com/Wonders-Pull-Back-Predators-Imagination-Generation/dp/B01NA7CTXU/ref=sr_1_47?keywords=toy+pull+race+car&qid=1638457728&sr=8-47) (Year: 2017).\*

“Vintage Open-Wheel Race Car and Driver,” Mar. 20, 2018, lot-art.com, site visited Dec. 2, 2021, URL: [https://www.lot-art.com/auction-lots/Vintage-Open-Wheel-Race-Car-and-Driver/18bal008m322m002-vintage\\_open\\_wheel-20.3.18-ebth](https://www.lot-art.com/auction-lots/Vintage-Open-Wheel-Race-Car-and-Driver/18bal008m322m002-vintage_open_wheel-20.3.18-ebth) (Year: 2018).\*

“Brio 30388 R/C Race Car,” Nov. 4, 2020, amazon.com, site visited Dec. 2, 2021, URL: [https://www.amazon.com/Brio-Infant-Toddler-Race-Car/dp/B07KM9VPKW/ref=sr\\_1\\_126?keywords=toy+pull+race+car&qid=1638458084&sr=8-126](https://www.amazon.com/Brio-Infant-Toddler-Race-Car/dp/B07KM9VPKW/ref=sr_1_126?keywords=toy+pull+race+car&qid=1638458084&sr=8-126) (Year: 2020).\*

\* cited by examiner

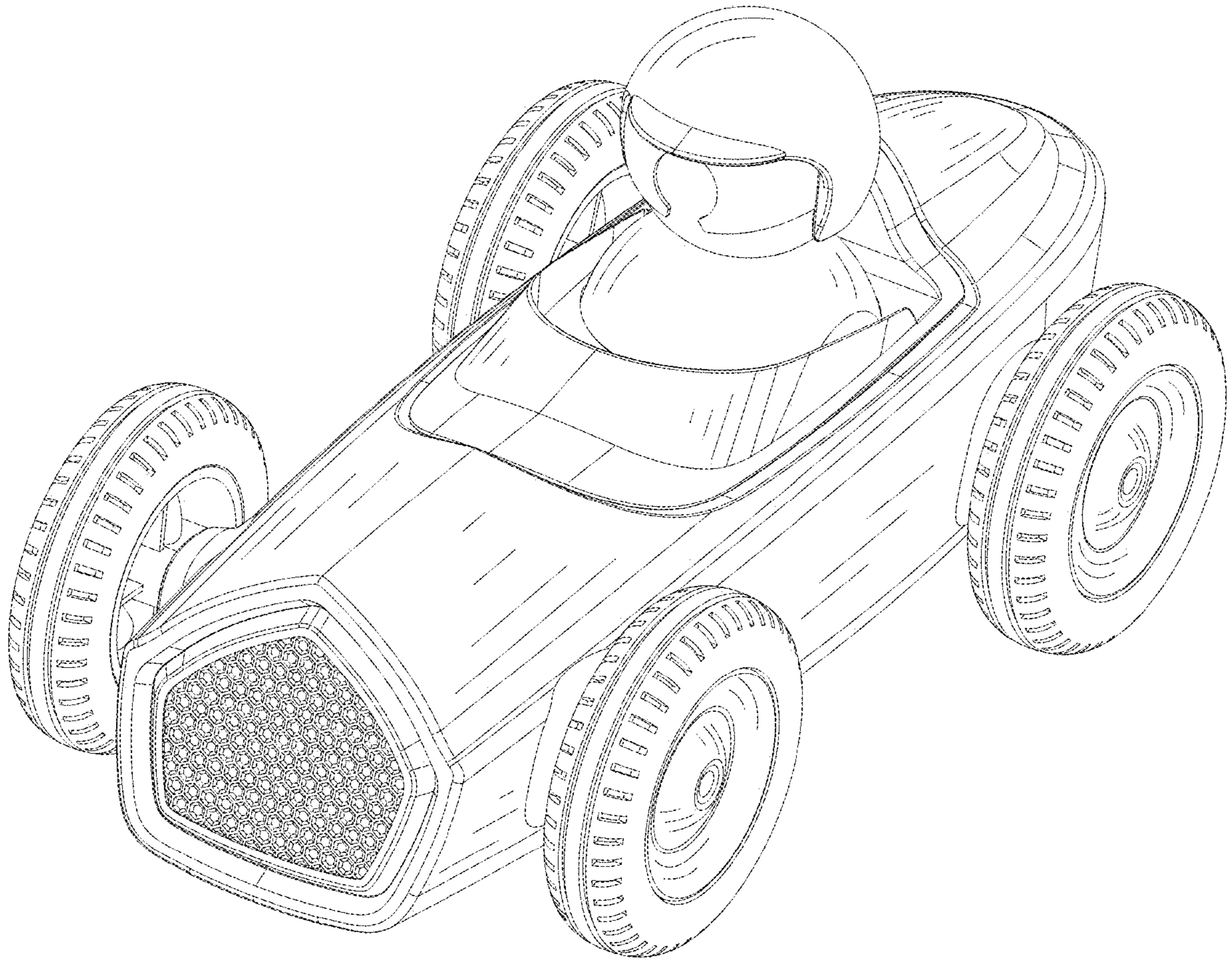


FIG. 1

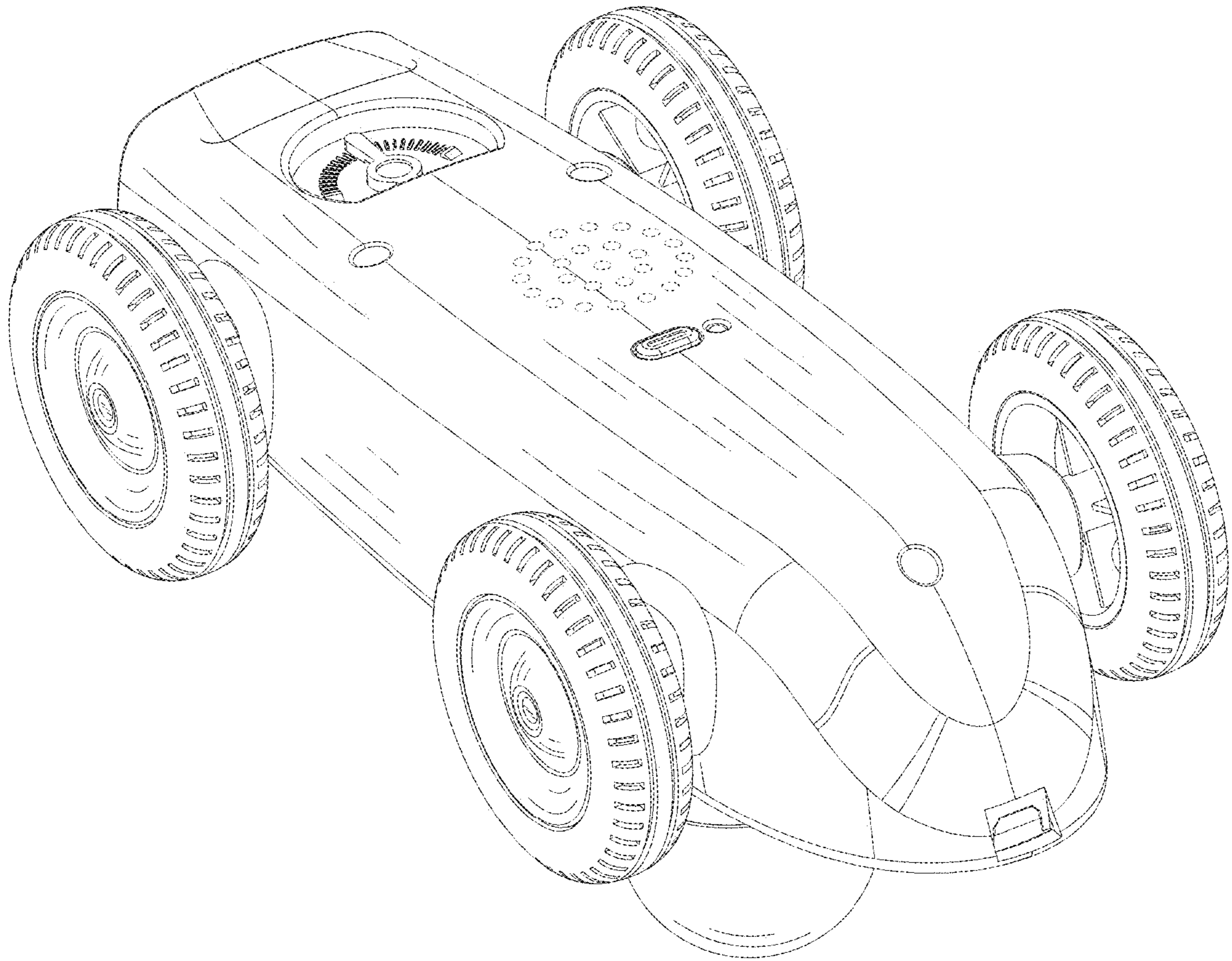


FIG. 2

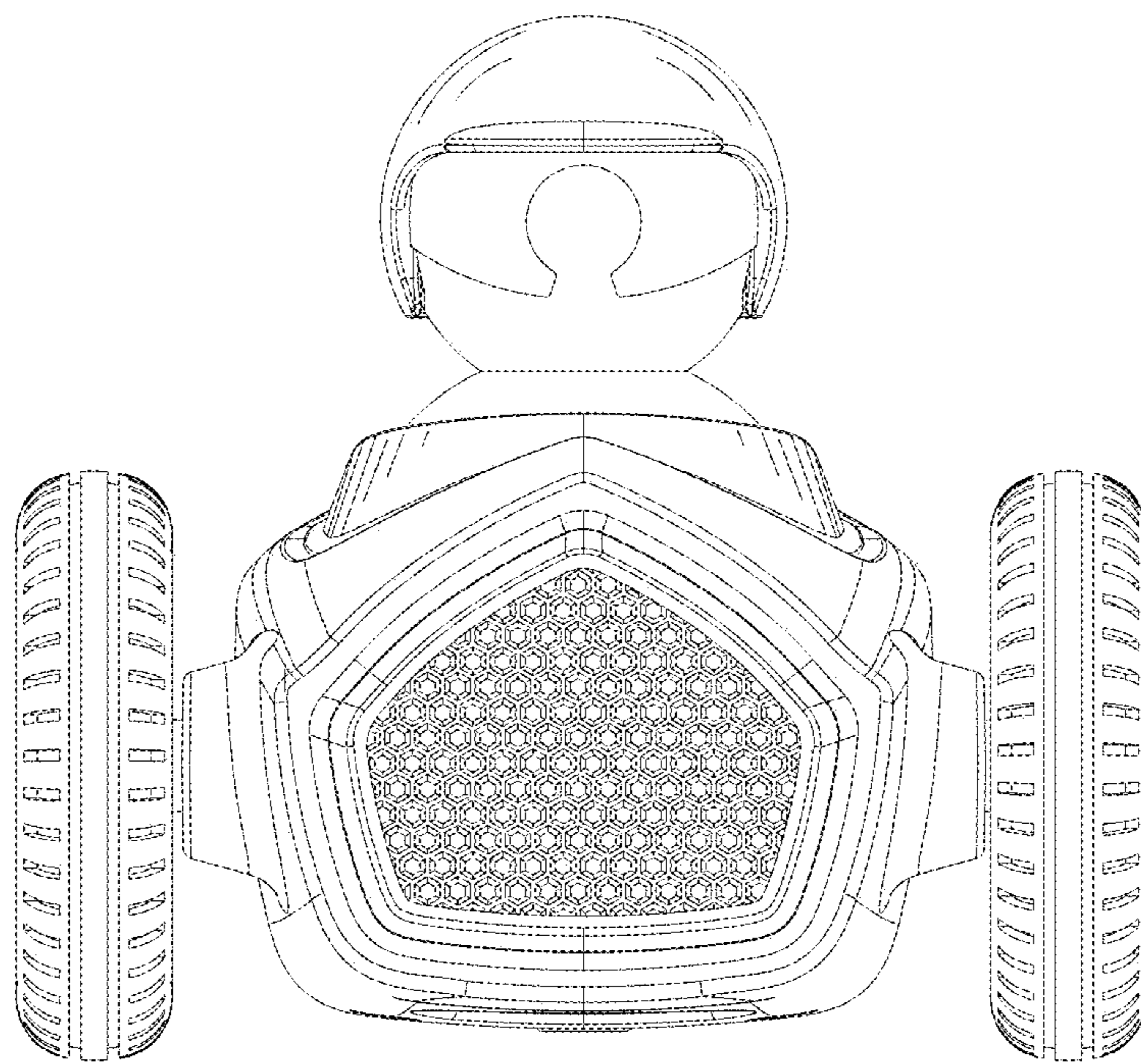


FIG. 3

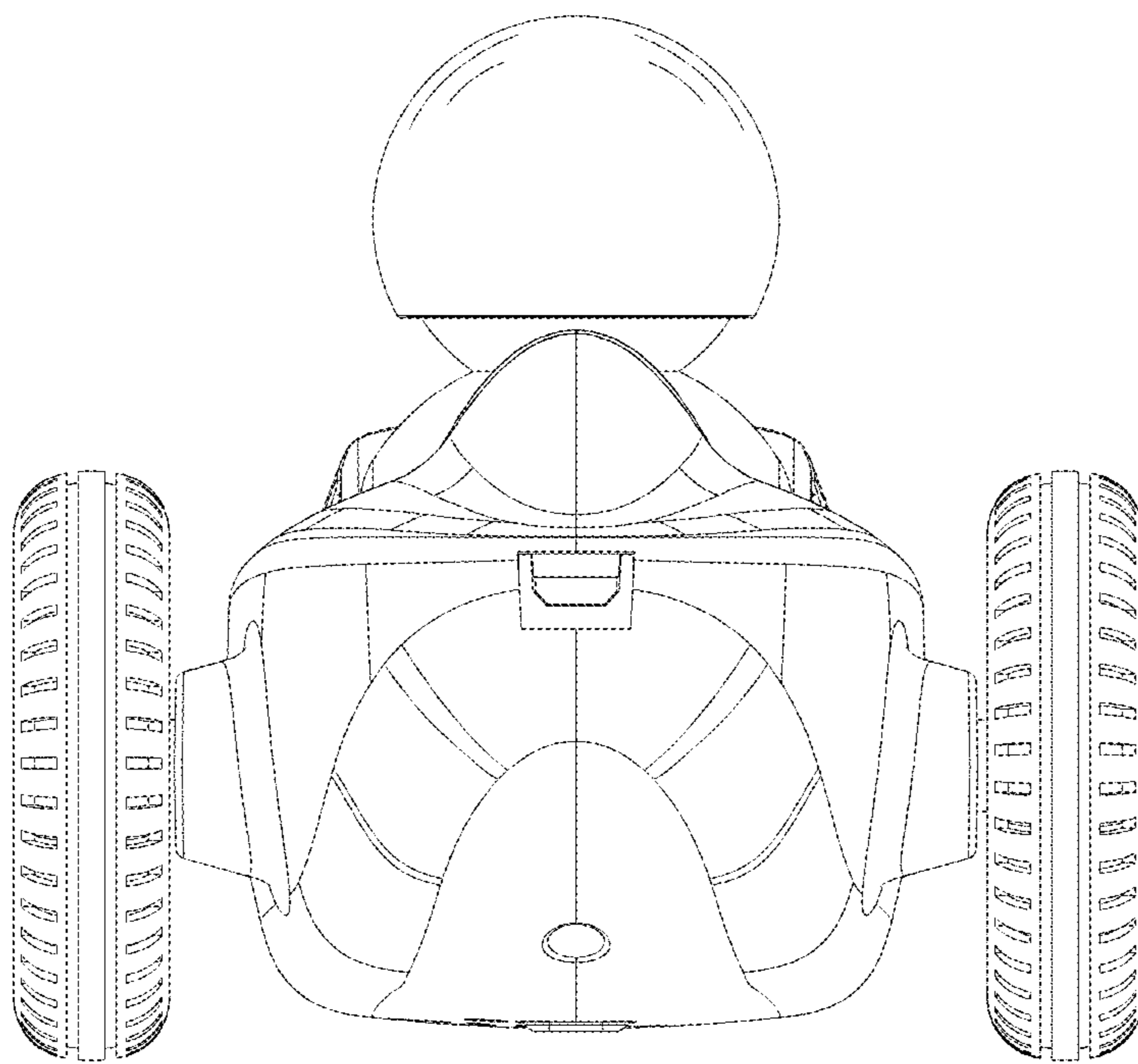


FIG. 4

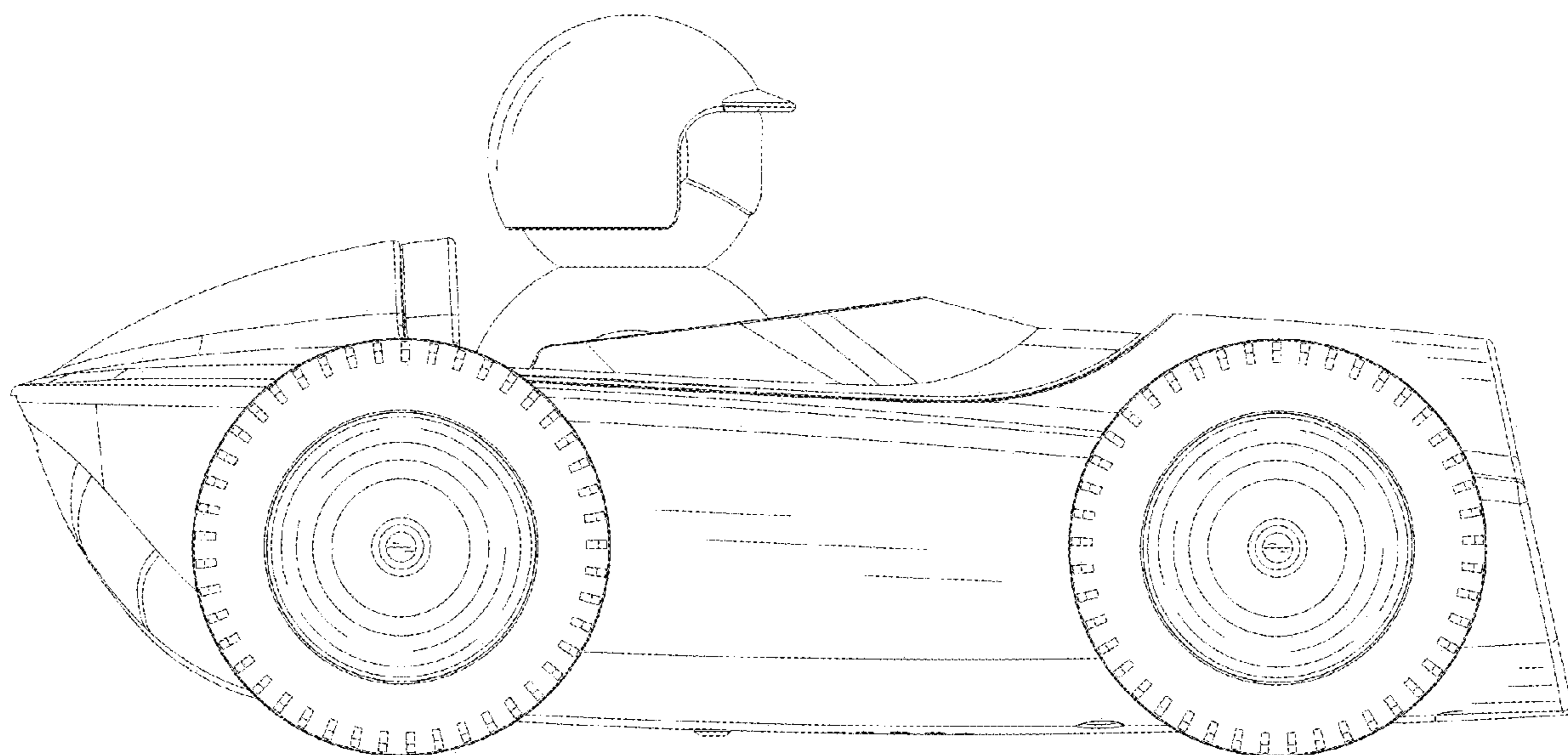


FIG. 5

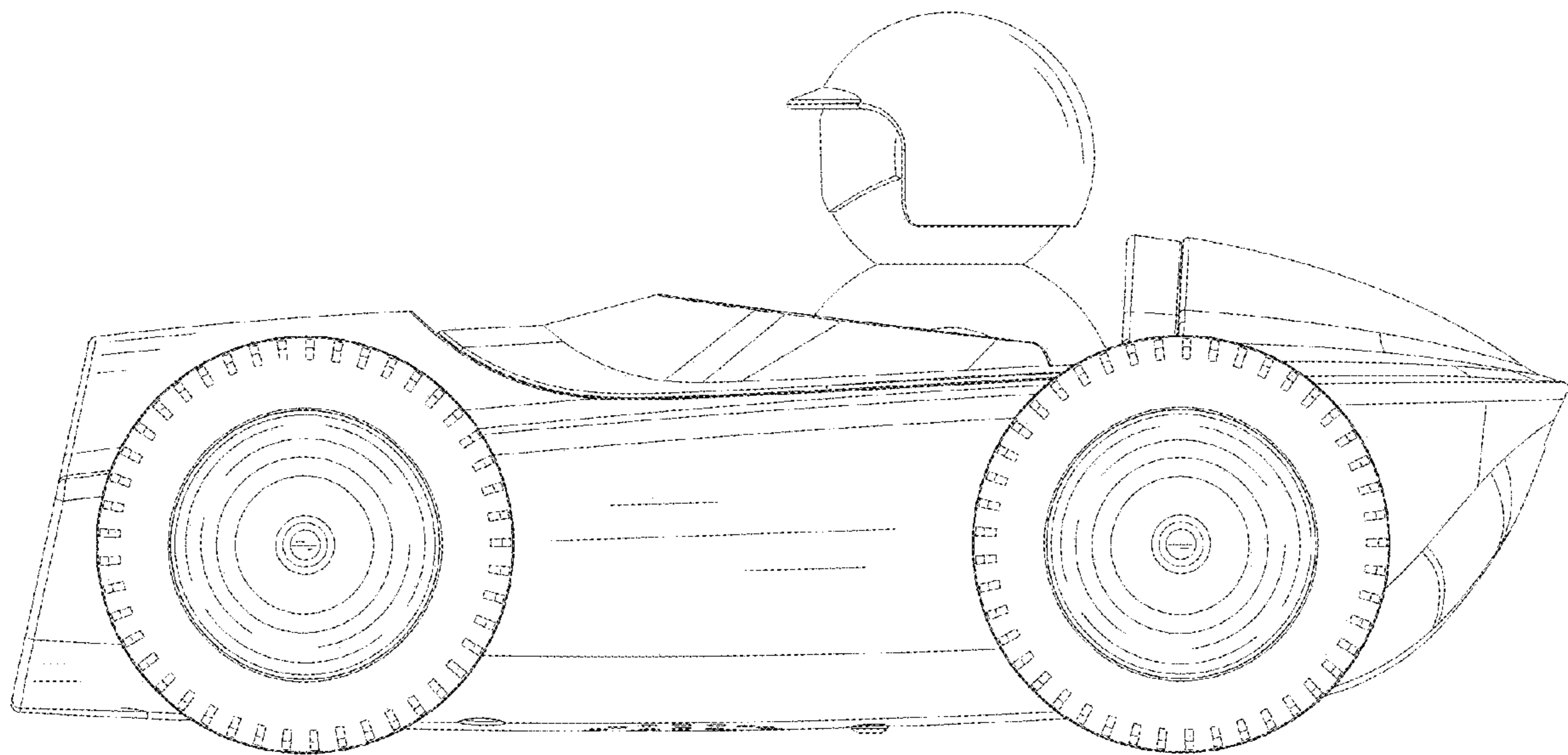


FIG. 6



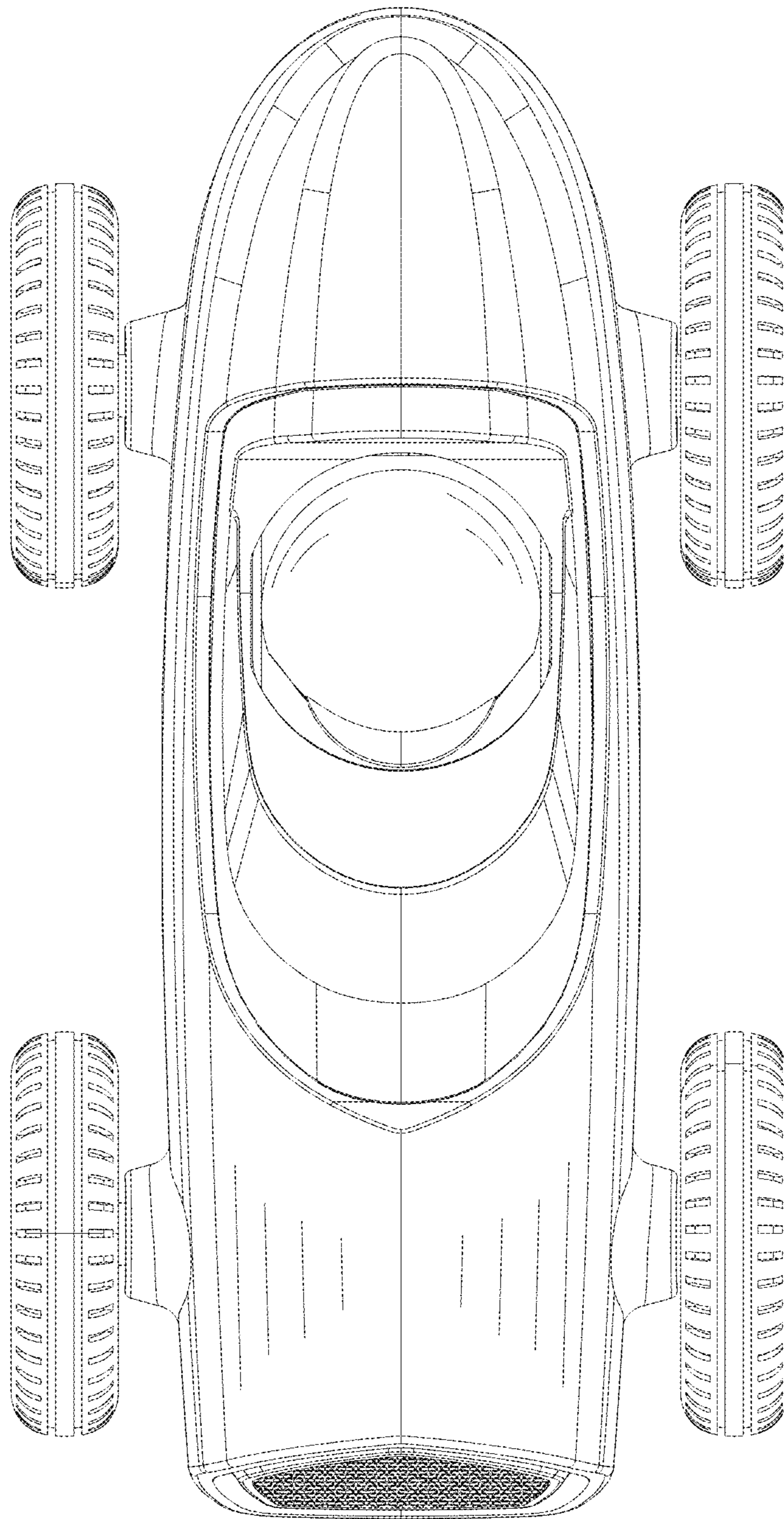


FIG. 7

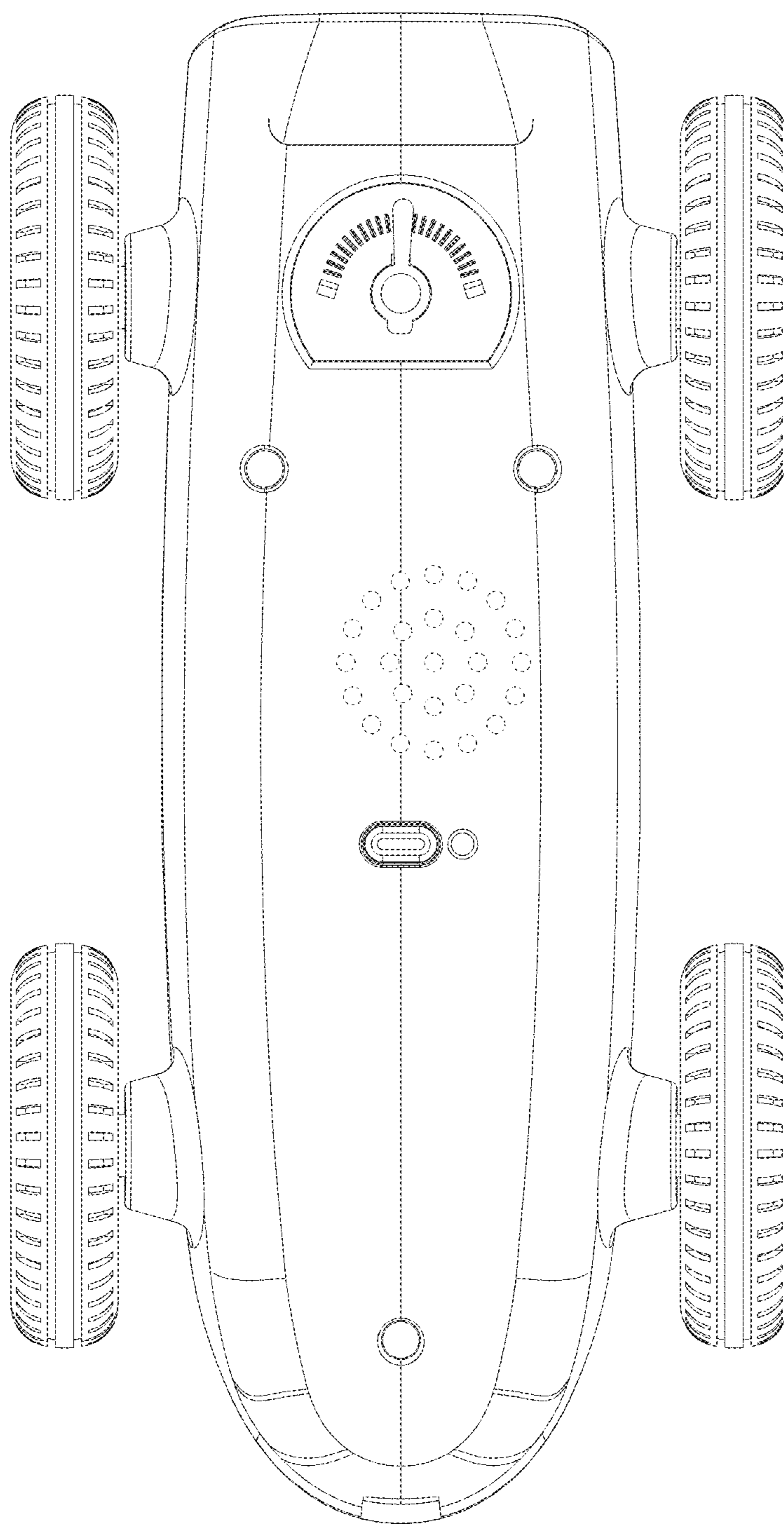


FIG. 8