



US00D941931S

(12) **United States Design Patent**
Cholewa

(10) **Patent No.:** **US D941,931 S**

(45) **Date of Patent:** **** Jan. 25, 2022**

(54) **PUZZLE PIECE**

D713,474 S * 9/2014 Roberson D21/484
D721,142 S * 1/2015 Ziegler D21/505
D723,630 S * 3/2015 Kanbar D21/485

(71) Applicant: **STARZ PUZZLES LLC**, Elmhurst, IL
(US)

FOREIGN PATENT DOCUMENTS

(72) Inventor: **Thomas Cholewa**, Elmhurst, IL (US)

FR 980416-003 * 1/1998 A63F 9/10

(73) Assignee: **STARZ PUZZLES LLC**, Elmhurst, IL
(US)

OTHER PUBLICATIONS

(**) Term: **15 Years**

Starz Puzzles, available on Starzpuzzles.com, [online], [site visited Sep. 14, 2021], Available from the internet URL: <https://www.starzpuzzles.com/customer-service> (Year: 2021).
Starz Puzzles, available on Starzpuzzles.com, [online], [site visited Sep. 14, 2021], Available from the internet URL: <https://www.starzpuzzles.com/double-sided-puzzles> (Year: 2021).*

(21) Appl. No.: **29/725,297**

(22) Filed: **Feb. 24, 2020**

(51) **LOC (13) Cl.** **21-01**

* cited by examiner

(52) **U.S. Cl.**

USPC **D21/480**

(58) **Field of Classification Search**

USPC D21/480, 478, 479; D25/114

CPC .. A63F 9/10; A63F 9/12; A63F 9/1204; A63F
2009/1016; A63F 2009/1005

See application file for complete search history.

Primary Examiner — Sheryl Lane

Assistant Examiner — Emily Anna Saunders

(74) *Attorney, Agent, or Firm* — Flener IP & Business
Law; Zareefa B. Flener; Ayhan E. Mertogul

(57) **CLAIM**

The ornamental design for a puzzle piece, as shown and described.

(56) **References Cited**

DESCRIPTION

U.S. PATENT DOCUMENTS

D238,698 S * 2/1976 Cook D21/480
4,153,254 A * 5/1979 Marc A63F 9/12
273/160
D343,460 S * 1/1994 Hair D25/113
5,409,227 A * 4/1995 Walker A63F 9/10
273/157 R
D407,765 S * 4/1999 Zheng D21/491
D412,620 S * 8/1999 Vu D6/351
D427,247 S * 6/2000 Mangeret D21/478
D590,210 S * 4/2009 Metcalfe D21/480
D645,912 S * 9/2011 Hardstaff D21/502
8,672,584 B2 * 3/2014 Koerner E02B 11/005
405/50

FIG. 1 is rear perspective view of a puzzle piece showing my new design;

FIG. 2 is a rear elevational view of the design of FIG. 1;

FIG. 3 is a front elevational view of the design of FIG. 1;

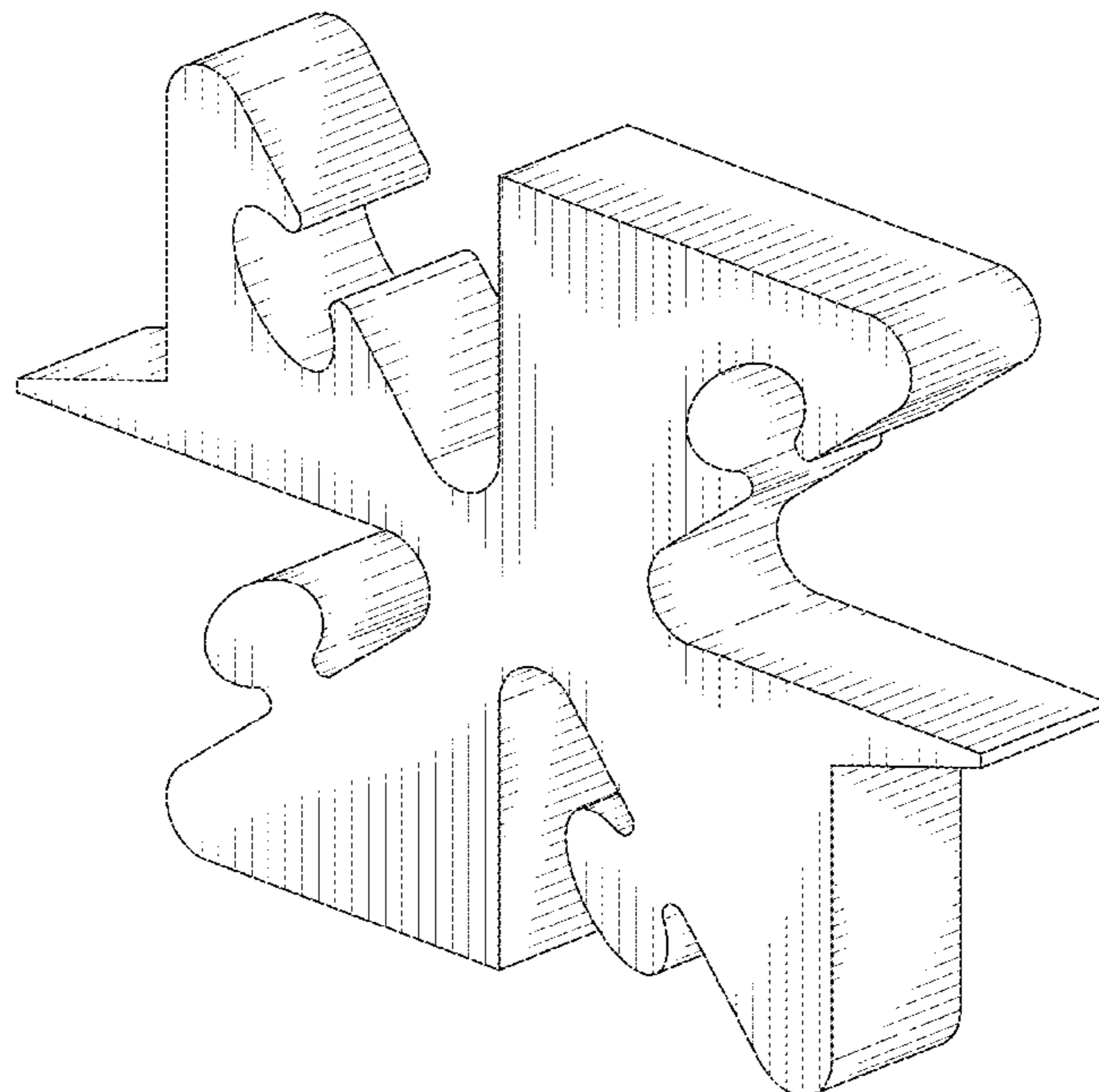
FIG. 4 is a right side elevational view of the design of FIG. 1;

FIG. 5 is a left side elevational view of the design of FIG. 1;

FIG. 6 is a bottom plan view of the design of FIG. 1; and,

FIG. 7 is a top plan view of the design of FIG. 1.

1 Claim, 4 Drawing Sheets



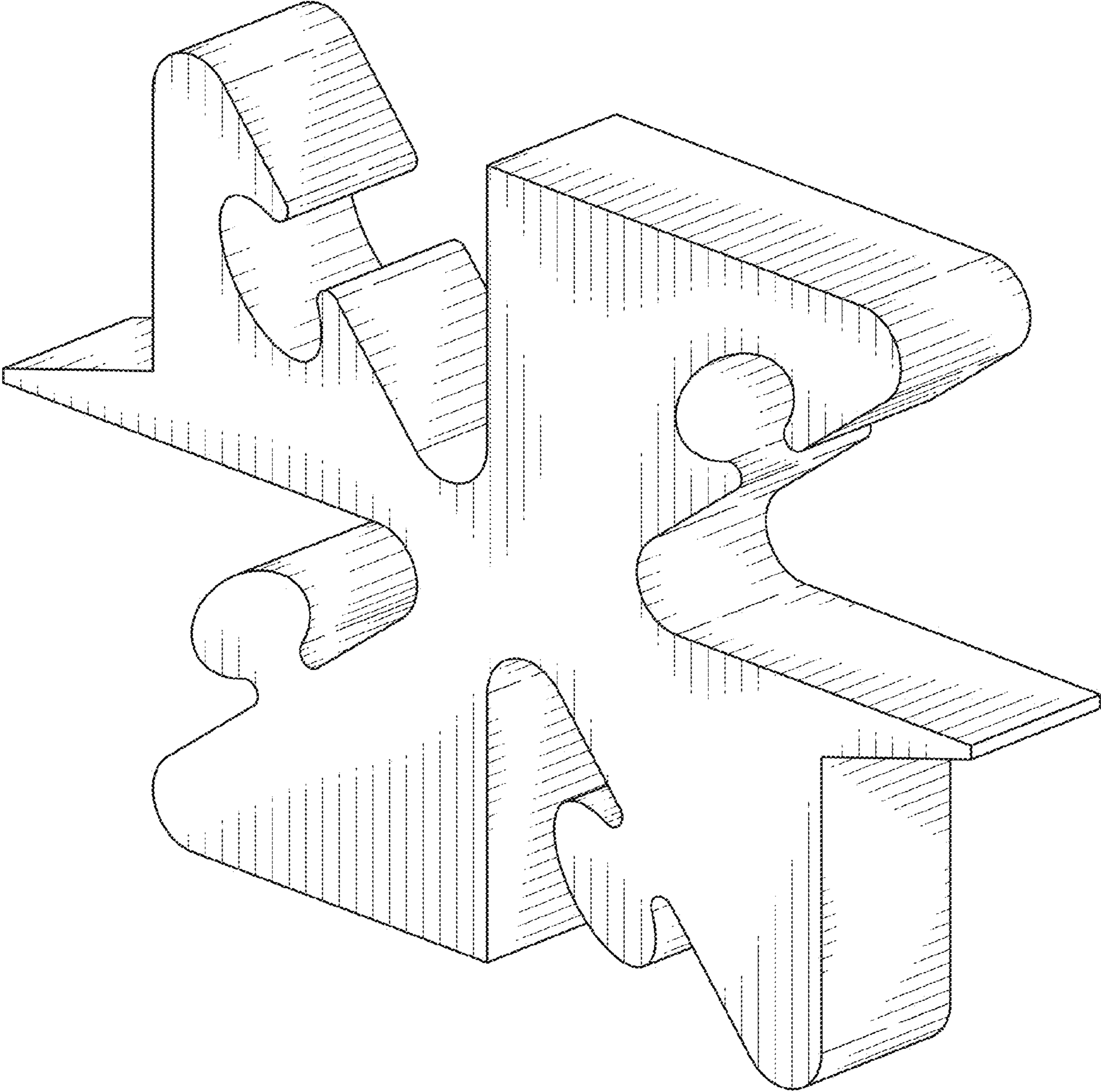


FIG. 1

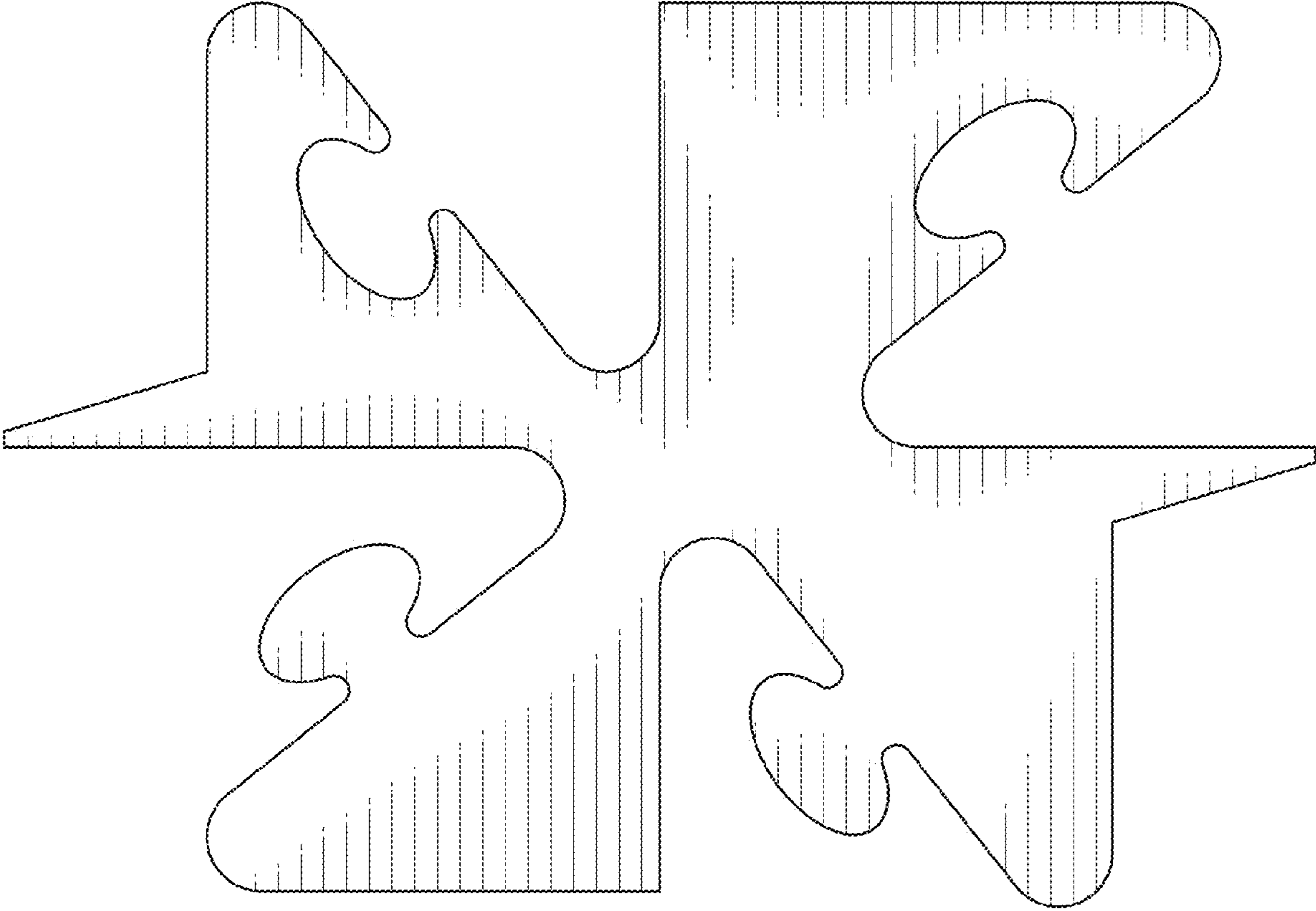


FIG. 2

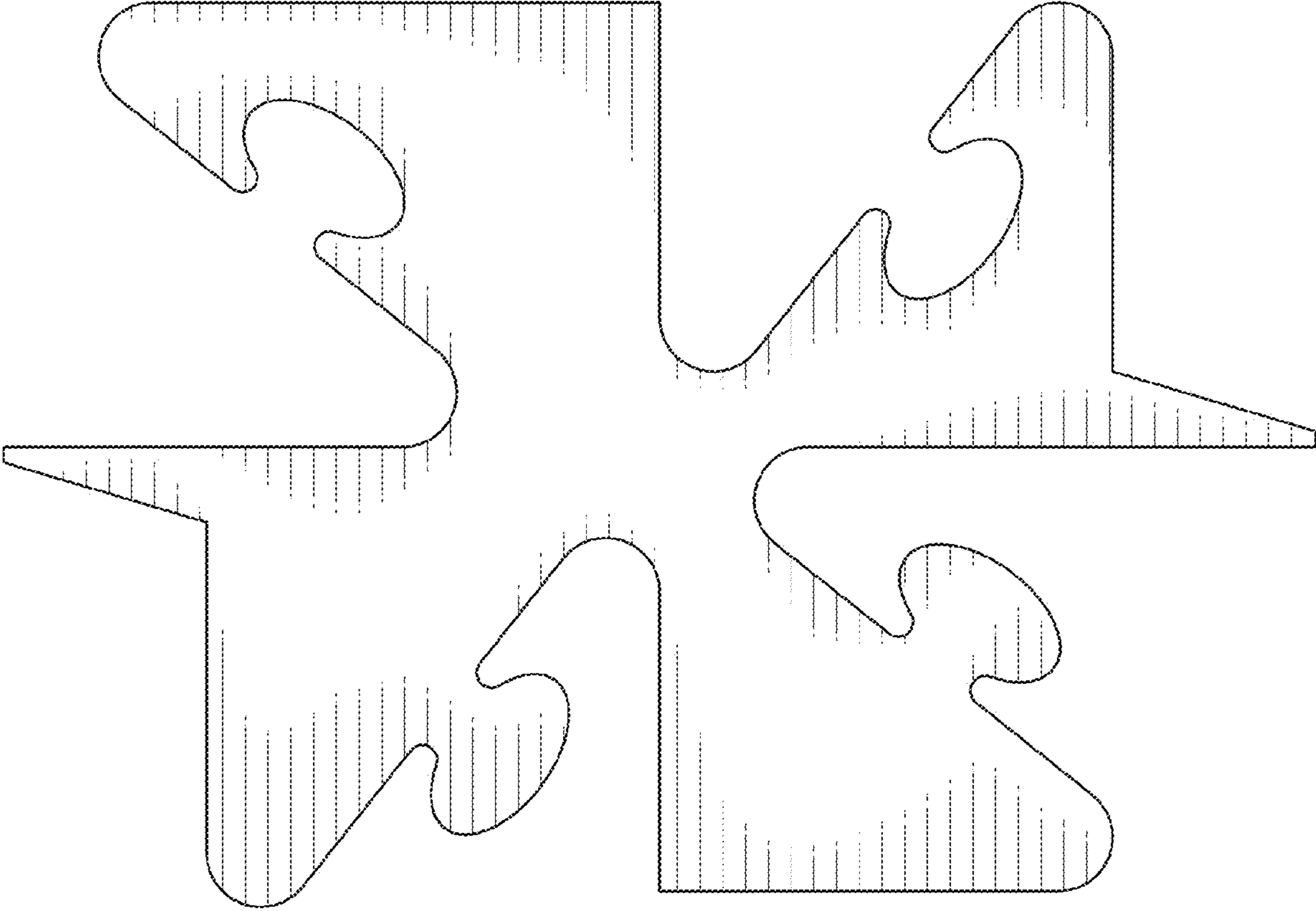


FIG. 3

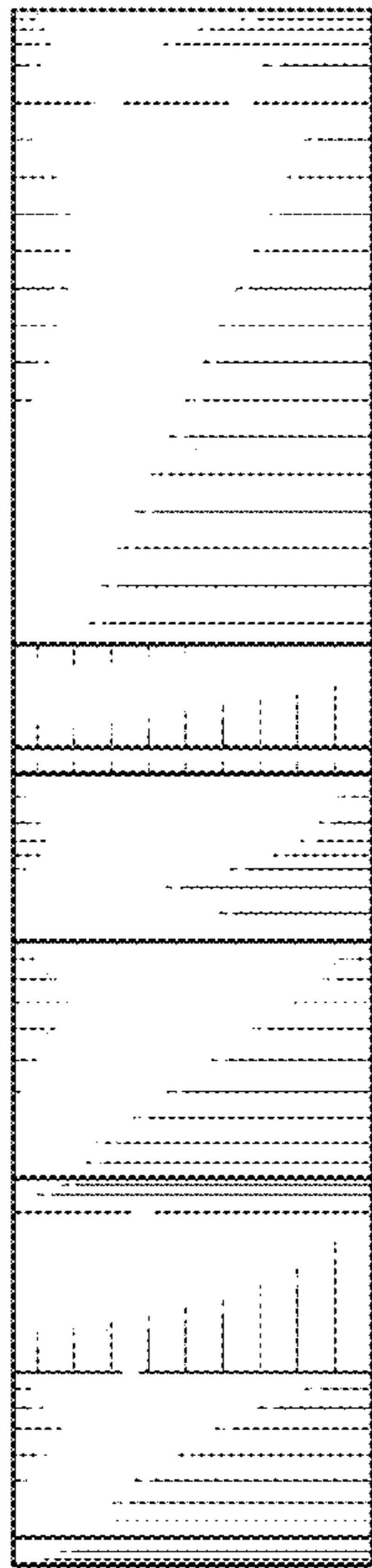


FIG. 4

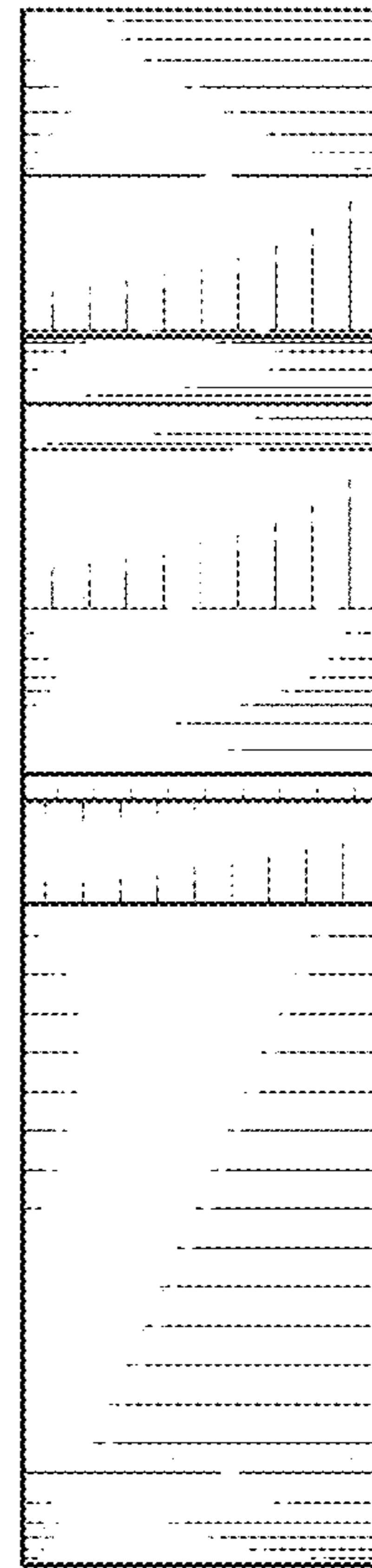


FIG. 5

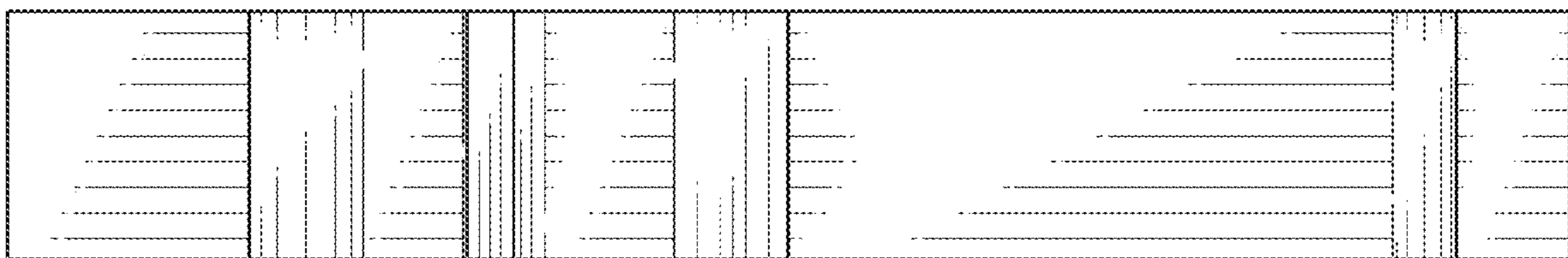


FIG. 6

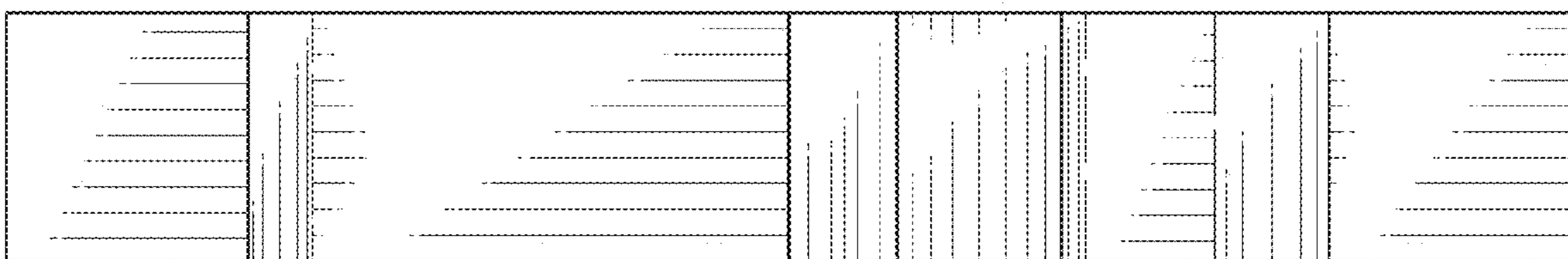


FIG. 7