



US00D941930S

(12) **United States Design Patent**
Hadley et al.

(10) **Patent No.:** **US D941,930 S**
(45) **Date of Patent:** **** Jan. 25, 2022**

- (54) **ELECTRIC SCOOTER**
- (71) Applicant: **RAZOR USA LLC**, Cerritos, CA (US)
- (72) Inventors: **Robert Hadley**, Yorba Linda, CA (US);
Robert Chen, San Marino, CA (US)
- (73) Assignee: **Razor USA LLC**, Cerritos, CA (US)
- (**) Term: **15 Years**
- (21) Appl. No.: **29/774,556**
- (22) Filed: **Mar. 17, 2021**

Related U.S. Application Data

- (63) Continuation of application No. 29/637,724, filed on Feb. 21, 2018, now Pat. No. Des. 914,102, which is a continuation of application No. 29/587,133, filed on Dec. 9, 2016, now Pat. No. Des. 811,489, which is a continuation of application No. 29/553,287, filed on Jan. 29, 2016, now Pat. No. Des. 774,145, which is a continuation of application No. 29/527,262, filed on May 18, 2015, now Pat. No. Des. 748,738, which is a continuation of application No. 29/500,274, filed on Aug. 22, 2014, now abandoned, which is a continuation of application No. 29/472,328, filed on Nov. 11, 2013, now abandoned, which is a continuation of application No. 29/415,919, filed on Mar. 15, 2012, now Pat. No. Des. 693,414.
- (51) **LOC (13) Cl.** **21-01**
- (52) **U.S. Cl.**
USPC **D21/423**
- (58) **Field of Classification Search**
USPC D21/419, 421, 423, 424-427, 429, 432,
D21/435, 760, 763, 765, 771; D12/1,
D12/110
CPC B62K 3/002; B62K 9/00; B62K 2202/00;
B62K 15/00; B62K 2015/001; B62K
2015/003; B60Y 2200/126
See application file for complete search history.

- (56) **References Cited**
- U.S. PATENT DOCUMENTS
- 3,570,620 A * 3/1971 Fisher B62K 5/025
180/214
- 4,094,372 A 6/1978 Notter
- 4,842,091 A 6/1989 Badsey
(Continued)
- FOREIGN PATENT DOCUMENTS
- CH 598051 4/1978
- CN 2448414 Y 9/2001
(Continued)

OTHER PUBLICATIONS

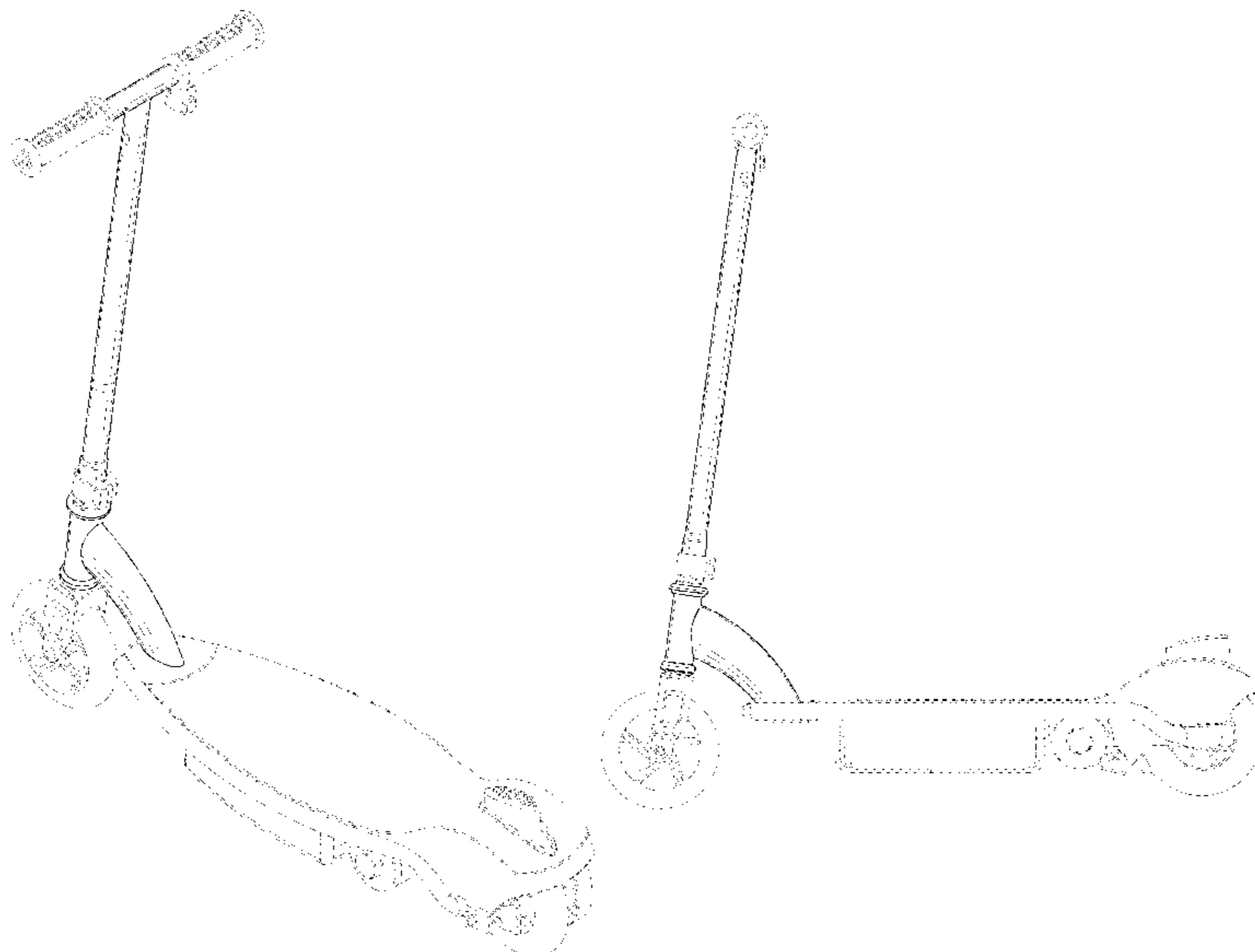
- U.S. Appl. No. 29/591,292, filed Jan. 18, 2017, Huang et al.
- Primary Examiner* — Cynthia M. Chin
- (74) *Attorney, Agent, or Firm* — Knobbe, Martens, Olson & Bear, LLP

- (57) **CLAIM**
- The ornamental design for an electric scooter, as shown and described.

DESCRIPTION

FIG. 1 is a perspective view showing top, left and rear sides of an electric scooter.
 FIG. 2 is a right side view of the electric scooter of FIG. 1.
 FIG. 3 is a left side view of the electric scooter of FIG. 1.
 FIG. 4 is a front view of the electric scooter of FIG. 1.
 FIG. 5 is a rear view of the electric scooter of FIG. 1.
 FIG. 6 is a top view of the electric scooter of FIG. 1; and,
 FIG. 7 is a bottom view of the electric scooter of FIG. 1.
 Where utilized, the broken lines show portions of the electric scooter that form no part of the claimed design.

1 Claim, 5 Drawing Sheets



(56)

References Cited

U.S. PATENT DOCUMENTS

D326,290 S	5/1992	Badsey	D687,499 S *	8/2013	Horne	D21/423
5,662,187 A	9/1997	McGovern	D691,671 S	10/2013	Chen et al.	
5,848,660 A	12/1998	McGreen	D692,963 S	11/2013	Radtke et al.	
6,029,763 A	2/2000	Swisher	D693,414 S	11/2013	Hadley et al.	
6,139,035 A	10/2000	Tsai	D698,868 S	2/2014	Chan	
D433,718 S	11/2000	Mcgreen	D710,949 S	8/2014	Huang	
D435,873 S	1/2001	Lee	8,813,892 B2	8/2014	Hadley et al.	
D435,874 S	1/2001	Cheng	D714,396 S	9/2014	Talios	
6,179,307 B1	1/2001	Mao	D715,870 S	10/2014	Talios	
D438,911 S	3/2001	Chen	8,870,200 B2	10/2014	Chen	
D438,912 S	3/2001	Barrera	D717,881 S	11/2014	Radtke et al.	
D439,623 S	3/2001	Barrera	8,925,935 B2	1/2015	Powers et al.	
6,199,652 B1	3/2001	Mastroianni et al.	D727,833 S	4/2015	Talios et al.	
6,206,387 B1	3/2001	Tsai	9,045,189 B2	6/2015	Lovley, II et al.	
6,227,324 B1	5/2001	Sauve	D736,324 S	8/2015	Lu et al.	
6,234,501 B1	5/2001	Chen	9,114,821 B1	8/2015	Xu	
D444,824 S	7/2001	Udwin et al.	D738,435 S	9/2015	O'Connell	
D446,259 S	8/2001	Udwin et al.	D748,738 S	2/2016	Hadley et al.	
D447,187 S	8/2001	Powers	D750,180 S	2/2016	Edlauer	
D447,188 S	8/2001	Lan	9,321,504 B2	4/2016	Hadley et al.	
6,270,095 B1	8/2001	Chang	D755,899 S *	5/2016	Castrucci	D21/423
6,273,205 B1	8/2001	Tsai	D756,464 S	5/2016	Edlauer	
6,283,485 B1	9/2001	Tsai	D756,465 S	5/2016	Byrne et al.	
6,296,082 B1	10/2001	Tsai	D772,990 S	11/2016	Allais	
6,298,952 B1	10/2001	Tsai	D774,145 S	12/2016	Hadley et al.	
D450,355 S	11/2001	Chan	D774,601 S	12/2016	Mizrahi et al.	
D452,284 S	12/2001	McGinnis	D777,844 S	1/2017	Connell	
D453,198 S	1/2002	Dudley	D778,806 S	2/2017	Welford	
D453,804 S	2/2002	Robinson	9,592,876 B2	3/2017	Lovley, II et al.	
6,345,678 B1	2/2002	Chang	9,660,500 B2	5/2017	Huang	
D454,377 S	3/2002	Hsu et al.	D806,176 S	12/2017	Peng	
D456,460 S	4/2002	Tseng	D810,836 S	2/2018	Hadley	
6,378,880 B1	4/2002	Lin	D811,489 S	2/2018	Hadley et al.	
6,382,366 B1	5/2002	Chang	D815,215 S	4/2018	Desberg	
6,386,330 B1	5/2002	Wei	D818,541 S	5/2018	Huang	
6,394,213 B1	5/2002	Tsai	D829,826 S	10/2018	Liu et al.	
6,409,190 B1	6/2002	Tsai	D830,468 S	10/2018	Liu	
D459,761 S	7/2002	Chen	10,099,745 B2	10/2018	Hadley et al.	
6,416,060 B1	7/2002	Chen	D834,097 S	11/2018	Lin et al.	
6,428,021 B1	8/2002	Tung	10,124,851 B2	11/2018	Lovley, II et al.	
6,443,470 B1	9/2002	Ulrich et al.	D836,727 S	12/2018	Wilson et al.	
D464,379 S	10/2002	Lin	10,144,480 B2	12/2018	Tan et al.	
6,462,493 B2	10/2002	Lan	D837,303 S	1/2019	Desberg	
6,481,728 B2	11/2002	Chen	D839,358 S	1/2019	Cao	
6,481,729 B2	11/2002	Herman et al.	D839,359 S	1/2019	Hadley	
D471,597 S	3/2003	Chen	10,189,533 B2	1/2019	Lovley, II et al.	
D471,598 S	3/2003	Chen	D849,153 S	5/2019	Zhang et al.	
D475,093 S	5/2003	Furter et al.	D855,115 S	7/2019	Yan	
6,619,416 B2	9/2003	Lan	D872,192 S	1/2020	Hadley	
6,619,679 B2	9/2003	Lan	D873,349 S	1/2020	Huang	
6,672,607 B2	1/2004	Chung	10,737,743 B2	8/2020	Hadley et al.	
D486,532 S	2/2004	Christianson	D910,766 S	2/2021	Hadley	
6,739,421 B1	5/2004	Miya	D911,455 S	2/2021	Huang	
D492,367 S	6/2004	Dennis	D914,102 S	3/2021	Hadley et al.	
D497,397 S	10/2004	Sramek	2002/0005309 A1	1/2002	Patmont et al.	
6,832,660 B2	12/2004	Dodd	2002/0079855 A1	6/2002	Parks	
D513,629 S	1/2006	Sramek	2002/0093161 A1	7/2002	Udwin et al.	
D516,132 S	2/2006	Sramek	2002/0134604 A1	9/2002	Lan	
7,156,405 B1	1/2007	Ming	2002/0170763 A1	11/2002	Townsend	
7,351,265 B2	4/2008	Vitale et al.	2003/0042058 A1	6/2003	Chen	
D569,447 S	5/2008	Thomas	2003/0168273 A1	9/2003	Ducharme et al.	
7,431,110 B2	10/2008	Greenwood et al.	2003/0221888 A1	12/2003	McKinney, Jr. et al.	
D579,987 S	11/2008	Hong	2004/0129472 A1	7/2004	Cheng	
7,584,974 B2	9/2009	Jackman et al.	2005/0012289 A1	1/2005	Wang et al.	
D603,463 S	11/2009	Jessie, Jr.	2005/0173175 A1	8/2005	Lee	
7,654,356 B2	2/2010	Wu	2006/0049595 A1	3/2006	Crigler et al.	
7,976,035 B2	7/2011	Chan	2007/0045976 A1	3/2007	Wu	
D645,522 S	9/2011	Powers et al.	2008/0203691 A1	8/2008	Hsu	
D654,963 S	2/2012	Powers et al.	2009/0071740 A1	3/2009	Palmer	
D656,560 S	3/2012	Patterson et al.	2009/0160150 A1	6/2009	Johnson	
8,292,018 B2	10/2012	Huang	2009/0200768 A1	8/2009	Armand et al.	
D671,600 S	11/2012	Horne	2010/0123295 A1	5/2010	Landau	
D672,400 S	12/2012	Pizzi	2011/0031711 A1	2/2011	Grossman	
D684,217 S	6/2013	Hadley	2013/0026734 A1	1/2013	Zhang et al.	
D686,674 S	7/2013	Hadley et al.	2013/0081891 A1	4/2013	Ulmen et al.	
			2013/0087983 A1	4/2013	Ngai	
			2013/0186698 A1	7/2013	Sarokhan	
			2013/0282216 A1	10/2013	Edney	
			2013/0320648 A1	12/2013	Eckert et al.	

(56)

References Cited

U.S. PATENT DOCUMENTS

2014/0090916 A1 4/2014 Lovely, II et al.
2014/0158446 A1 6/2014 Treadway
2015/0306511 A1 10/2015 Norman et al.
2017/0240239 A1 8/2017 Huang et al.
2017/0259162 A1 9/2017 Mo
2018/0015355 A1 1/2018 Desberg et al.
2019/0263468 A1 8/2019 Huang
2019/0367116 A1 12/2019 Desberg et al.
2021/0094651 A1 4/2021 Hadley et al.

FOREIGN PATENT DOCUMENTS

CN 2452873 Y 10/2001
CN 204021174 U 12/2014
DE 201 07 388 U1 7/2001
JP 2001-225775 A 8/2001
JP 3081197 U 10/2001
WO WO 2015/095368 6/2015
WO WO 2015/114614 A2 8/2015
WO WO 2016/128488 8/2016
WO WO 2017/127464 A1 7/2017
WO WO 2019/232248 12/2019

* cited by examiner

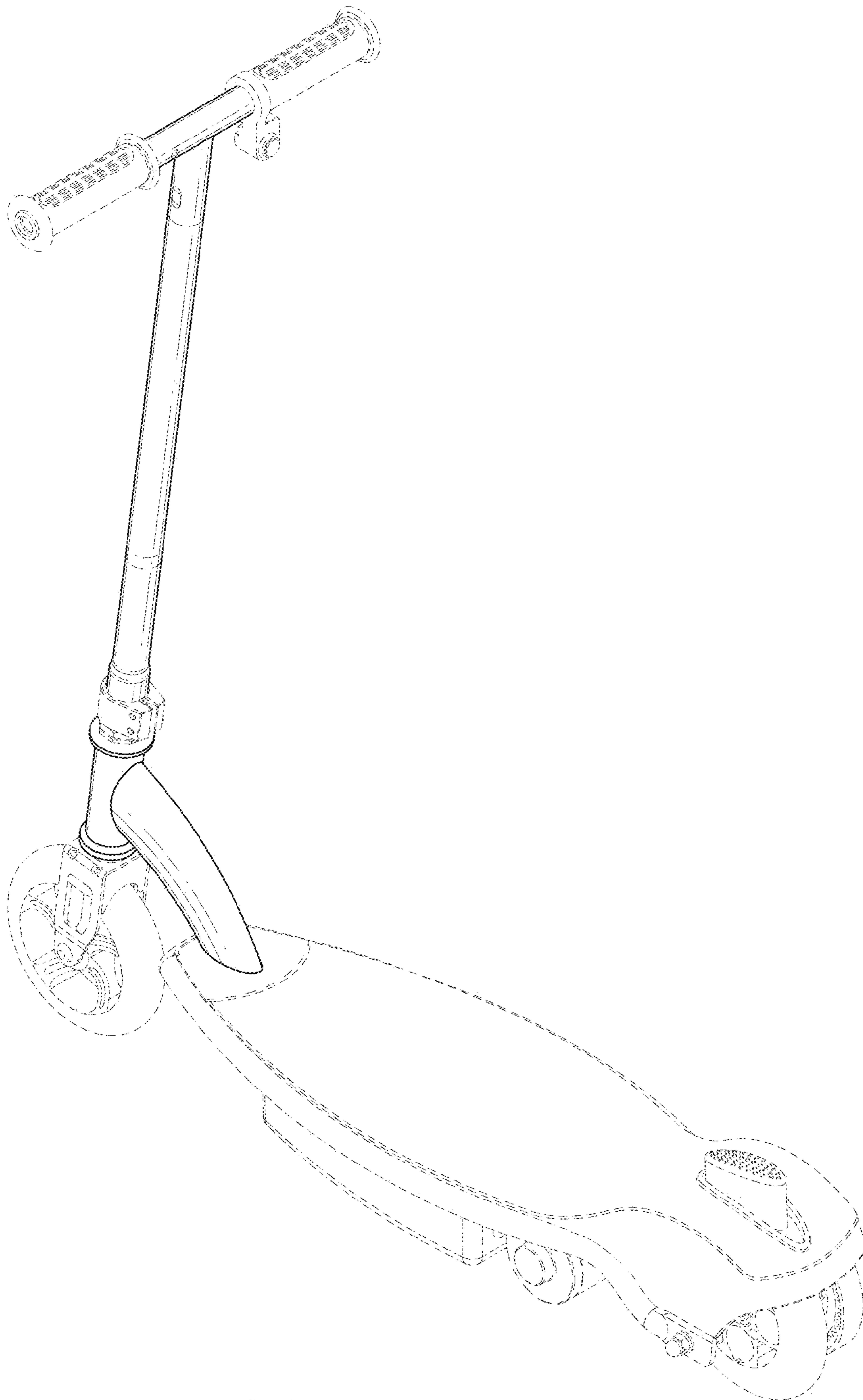


FIG. 1

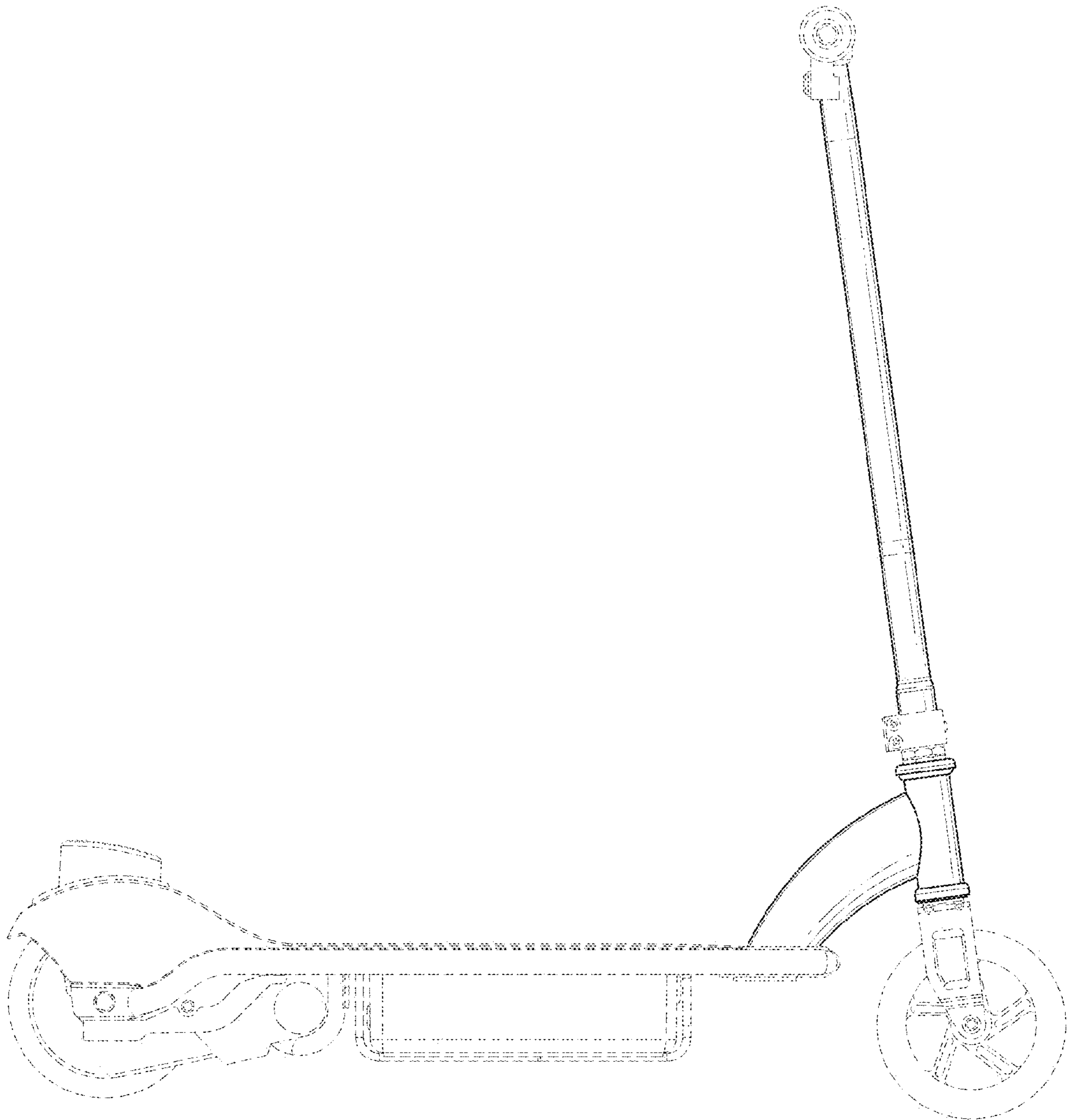


FIG. 2

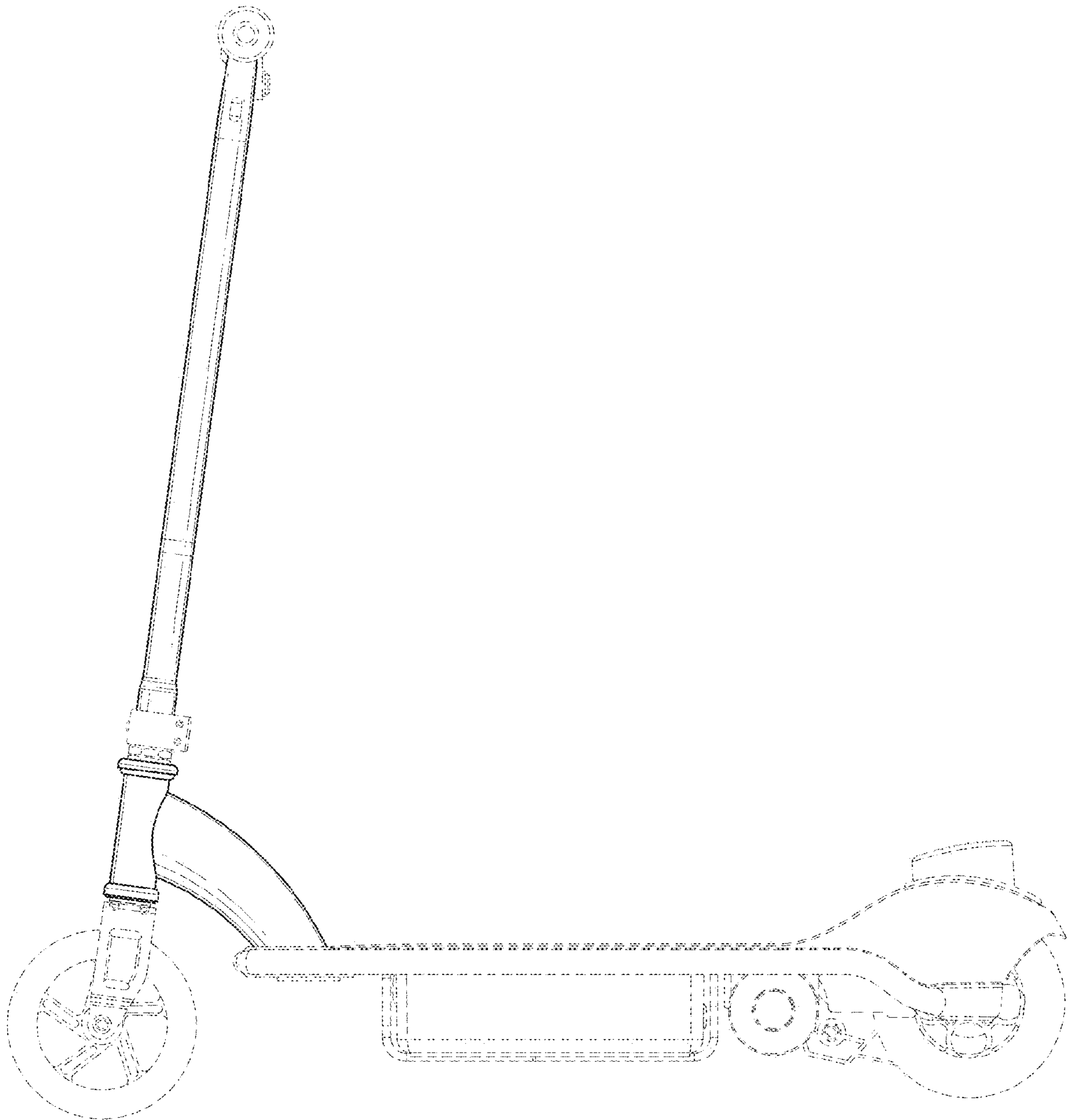


FIG. 3

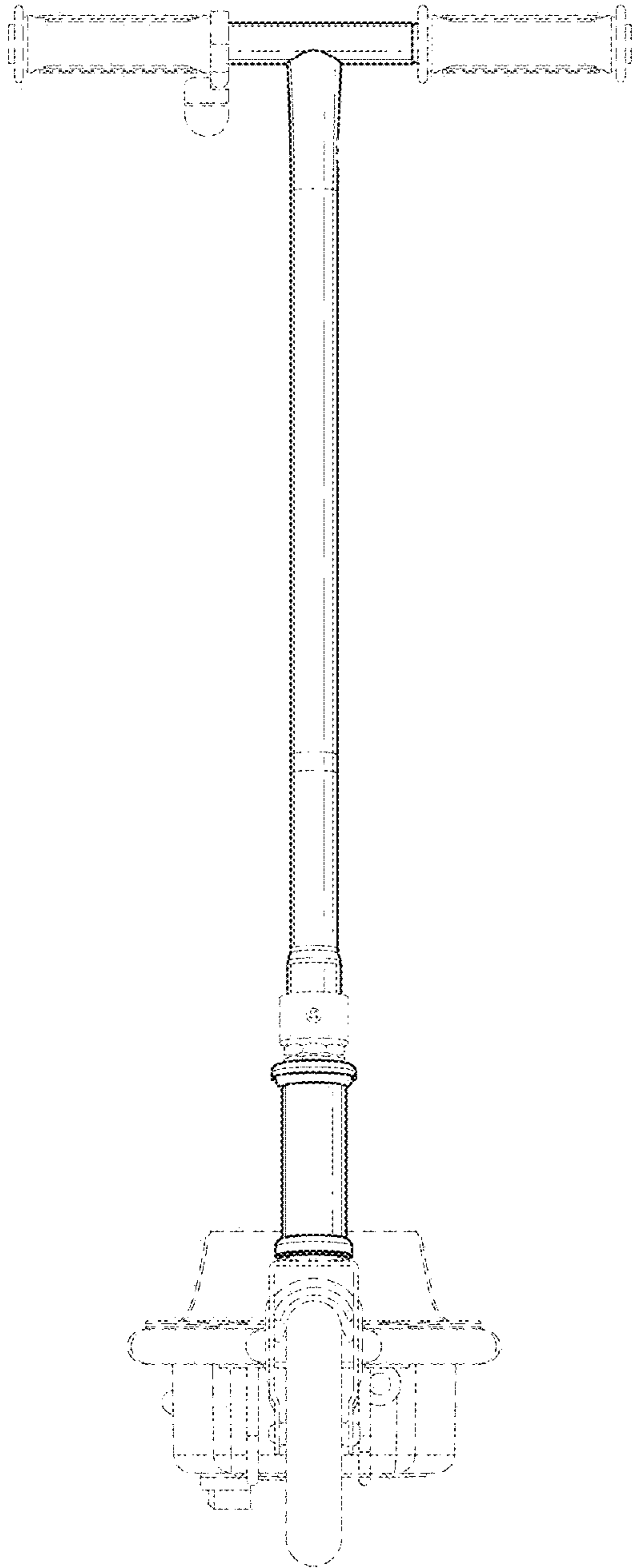


FIG. 4

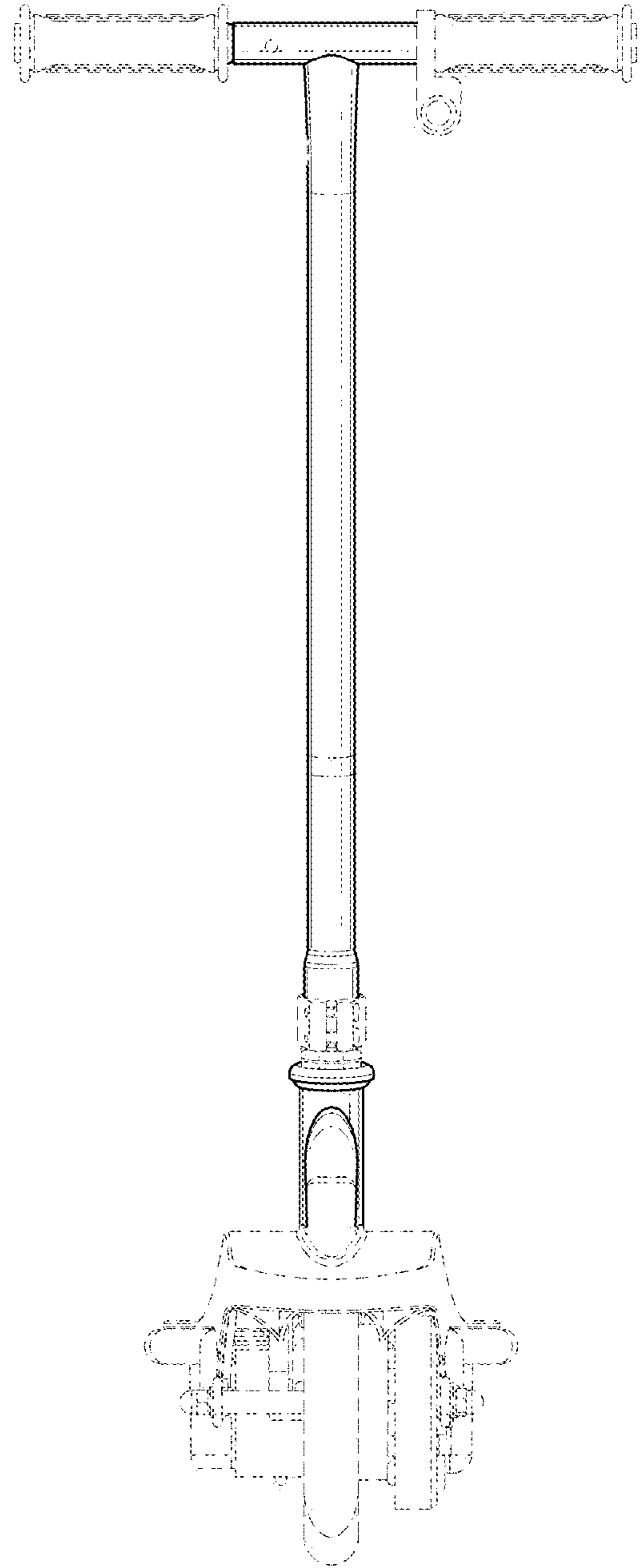


FIG. 5

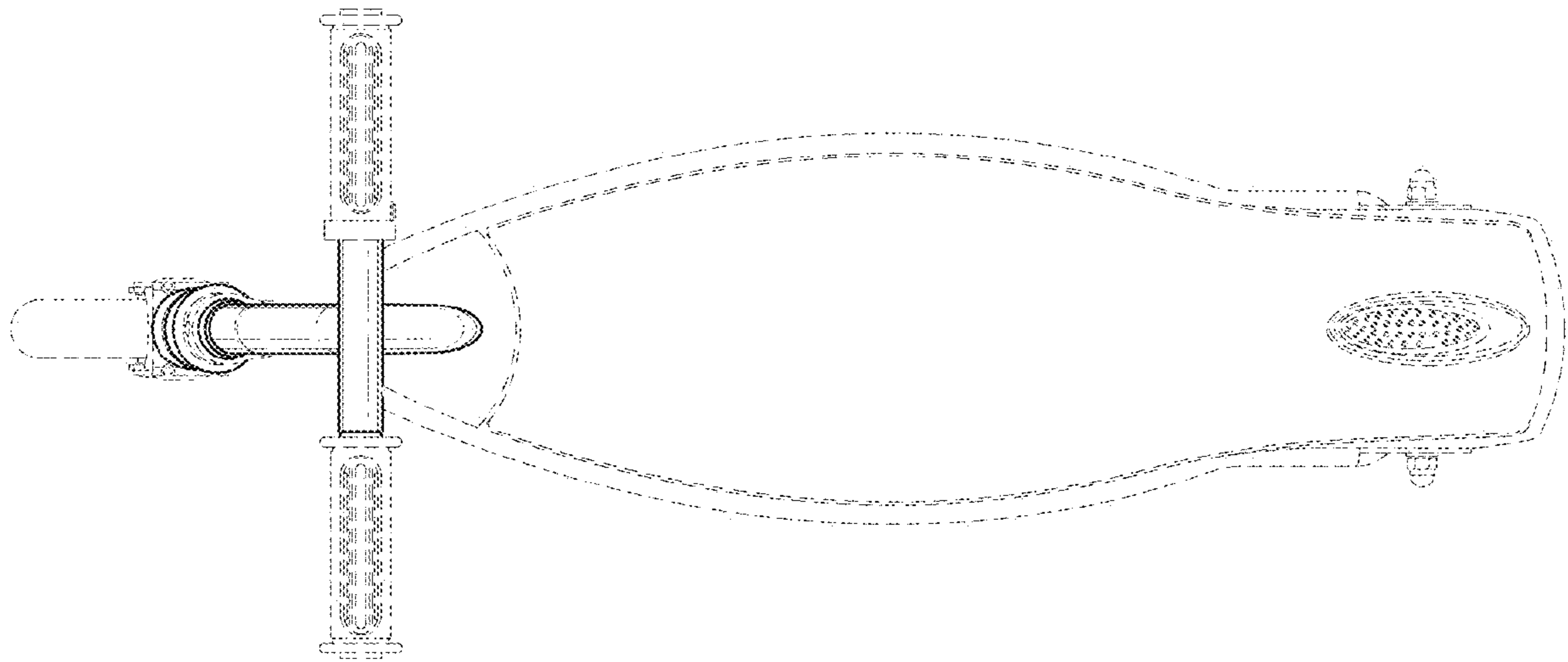


FIG. 6

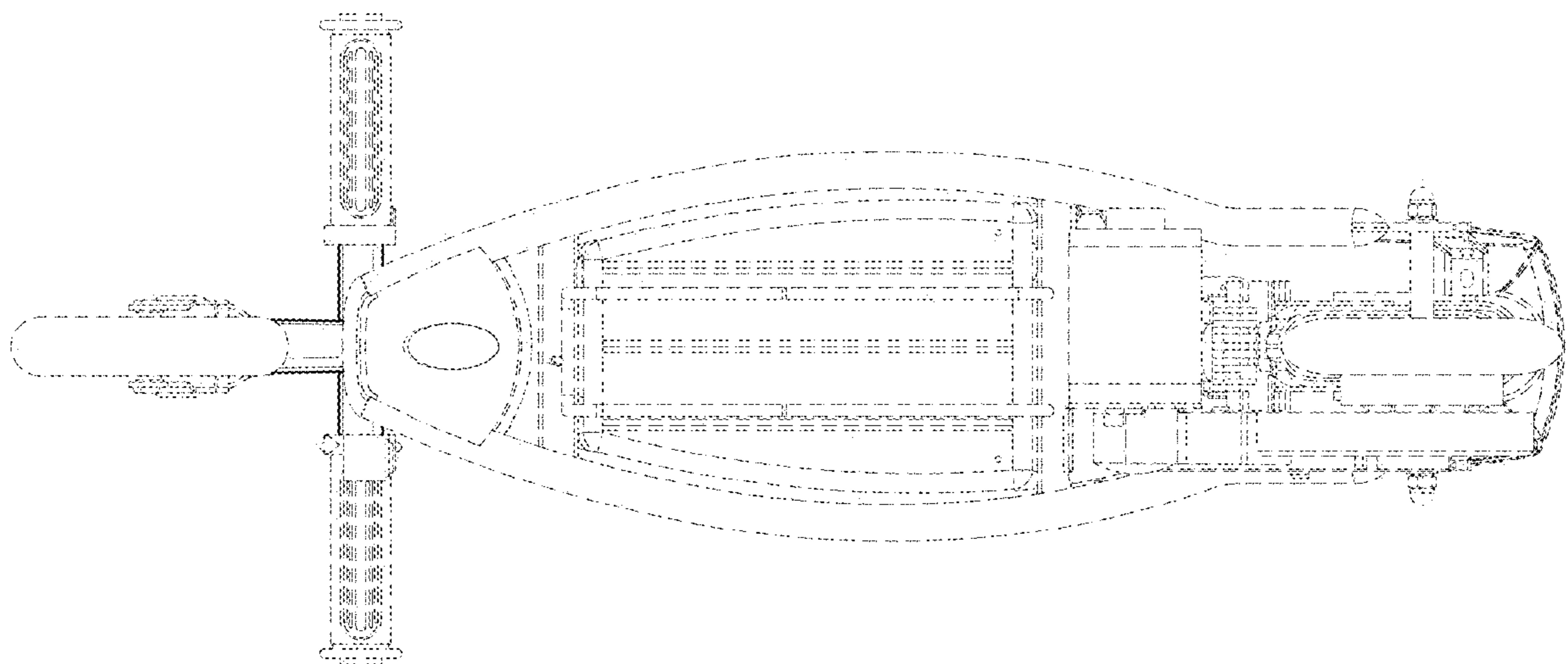


FIG. 7