



US00D941927S

(12) **United States Design Patent**
Vasylyshyn

(10) **Patent No.:** **US D941,927 S**
(45) **Date of Patent:** **** Jan. 25, 2022**

(54) **TABLE FOR ROULETTE GAME**
(71) Applicant: **Andrii Vasylyshyn**, Kyiv (UA)
(72) Inventor: **Andrii Vasylyshyn**, Kyiv (UA)
(**) Term: **15 Years**
(21) Appl. No.: **35/511,249**

(22) Filed: **Sep. 23, 2020**

(80) **Hague Agreement Data**

Int. Filing Date: **Sep. 23, 2020**
Int. Reg. No.: **DM/212300**
Int. Reg. Date: **Sep. 23, 2020**
Int. Reg. Pub. Date: **Jan. 29, 2021**

(51) **LOC (13) Cl.** **21-01**

(52) **U.S. Cl.**
USPC **D21/397; D21/375**

(58) **Field of Classification Search**
USPC D14/488-490; D21/324-327, 329,
D21/333-342, 345-349, 354, 362, 363,
D21/365-369, 371, 374, 375, 397
CPC A63F 5/00; A63F 5/0005; A63F 5/007;
A63F 5/02; A63F 3/00157; A63F
3/00164; A63F 3/00167; A63F 3/0017
See application file for complete search history.

(56) **References Cited**

U.S. PATENT DOCUMENTS

D128,261 S * 7/1941 Kasey D21/397
D531,230 S * 10/2006 Voden G07F 17/3225
D21/397

D637,659 S * 5/2011 Barnwell D21/397
D657,825 S * 4/2012 Brodrick D21/372
D696,357 S * 12/2013 Cano D21/397
D763,363 S * 8/2016 Rottier D21/397
D803,325 S * 11/2017 Lipovec D21/375
D889,556 S * 7/2020 Marks G07F 17/3225
D21/397
D892,221 S * 8/2020 Farley D21/397

* cited by examiner

Primary Examiner — George D. Kirschbaum

Assistant Examiner — Joseph J Kukella

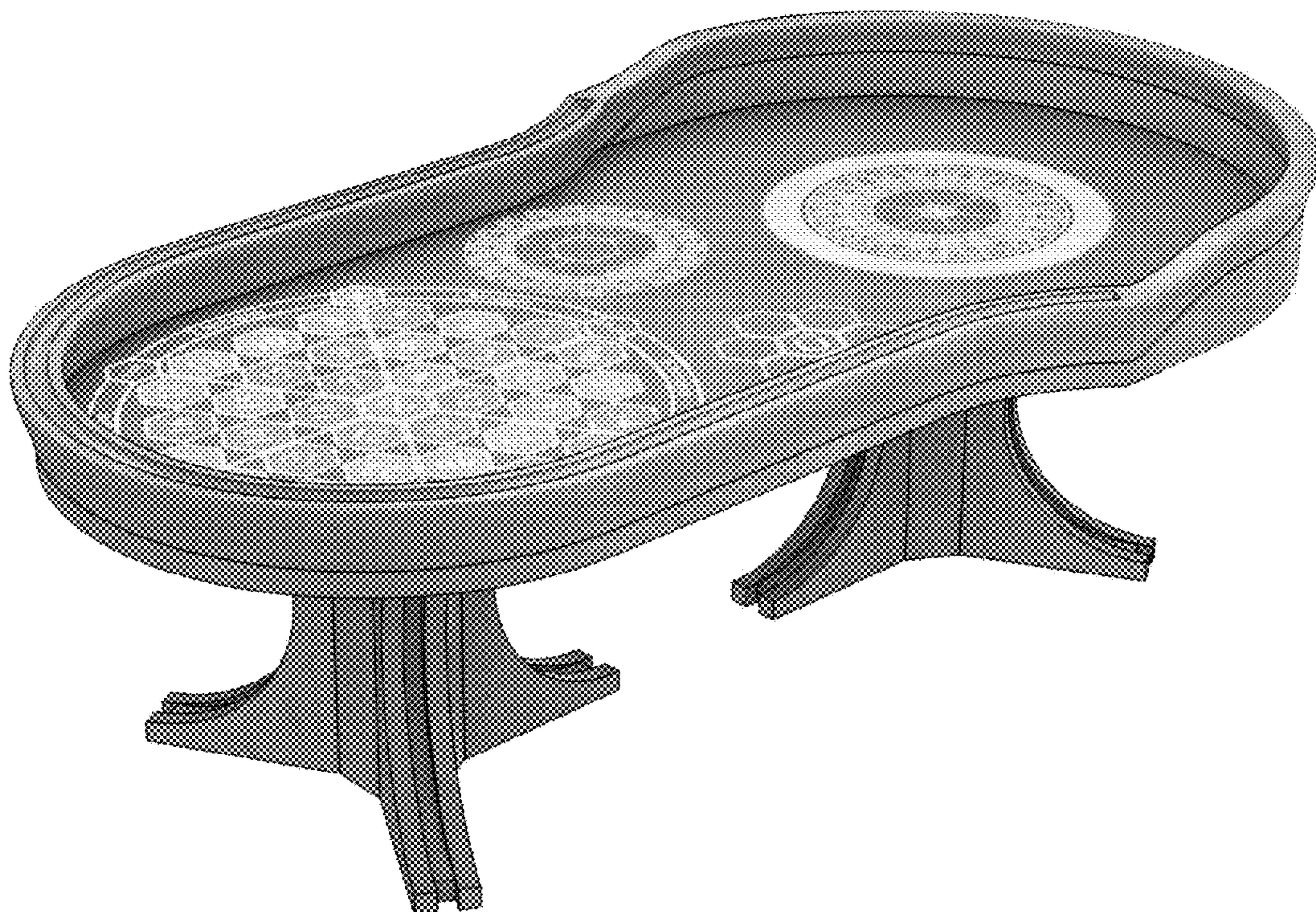
(57) **CLAIM**

The ornamental design for a table for roulette game, as shown and described.

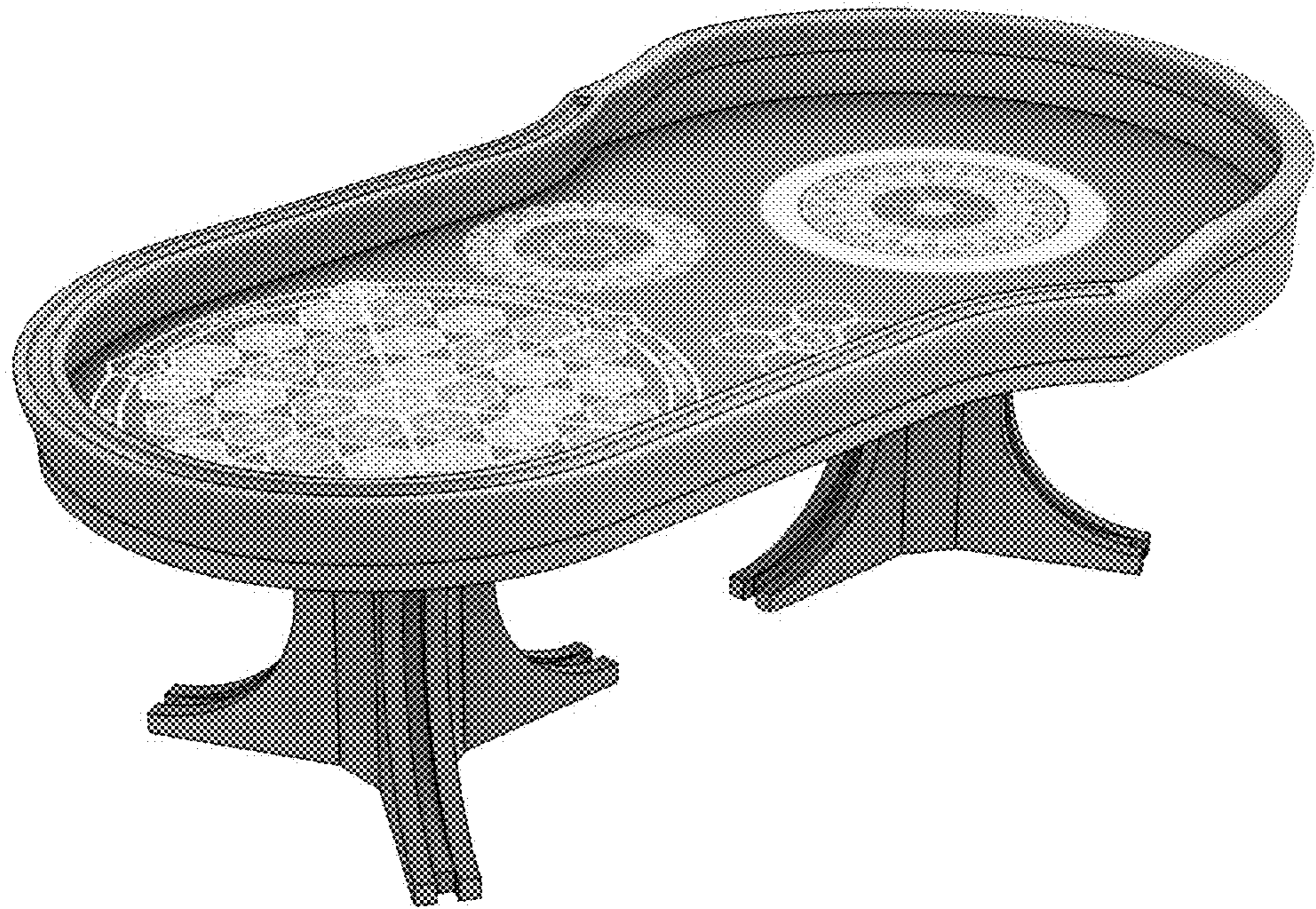
DESCRIPTION

1. Table for roulette game
FIG. 1.1 is a perspective view of the table for roulette game;
FIG. 1.2 is a front view of the table for roulette game, the rear being a mirror image thereof;
FIG. 1.3 is a right side view of the table for roulette game;
FIG. 1.4 is a left side view thereof;
FIG. 1.5 is a top plan view of the table for roulette game; and
FIG. 1.6 is a bottom plan view thereof.

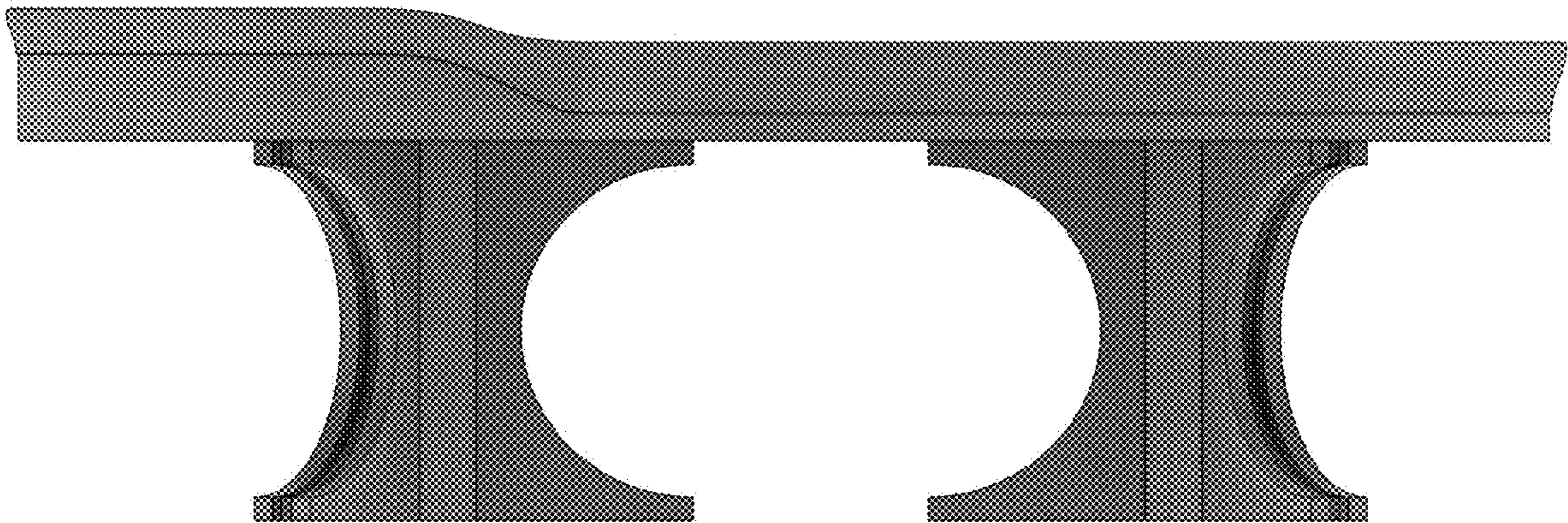
1 Claim, 6 Drawing Sheets



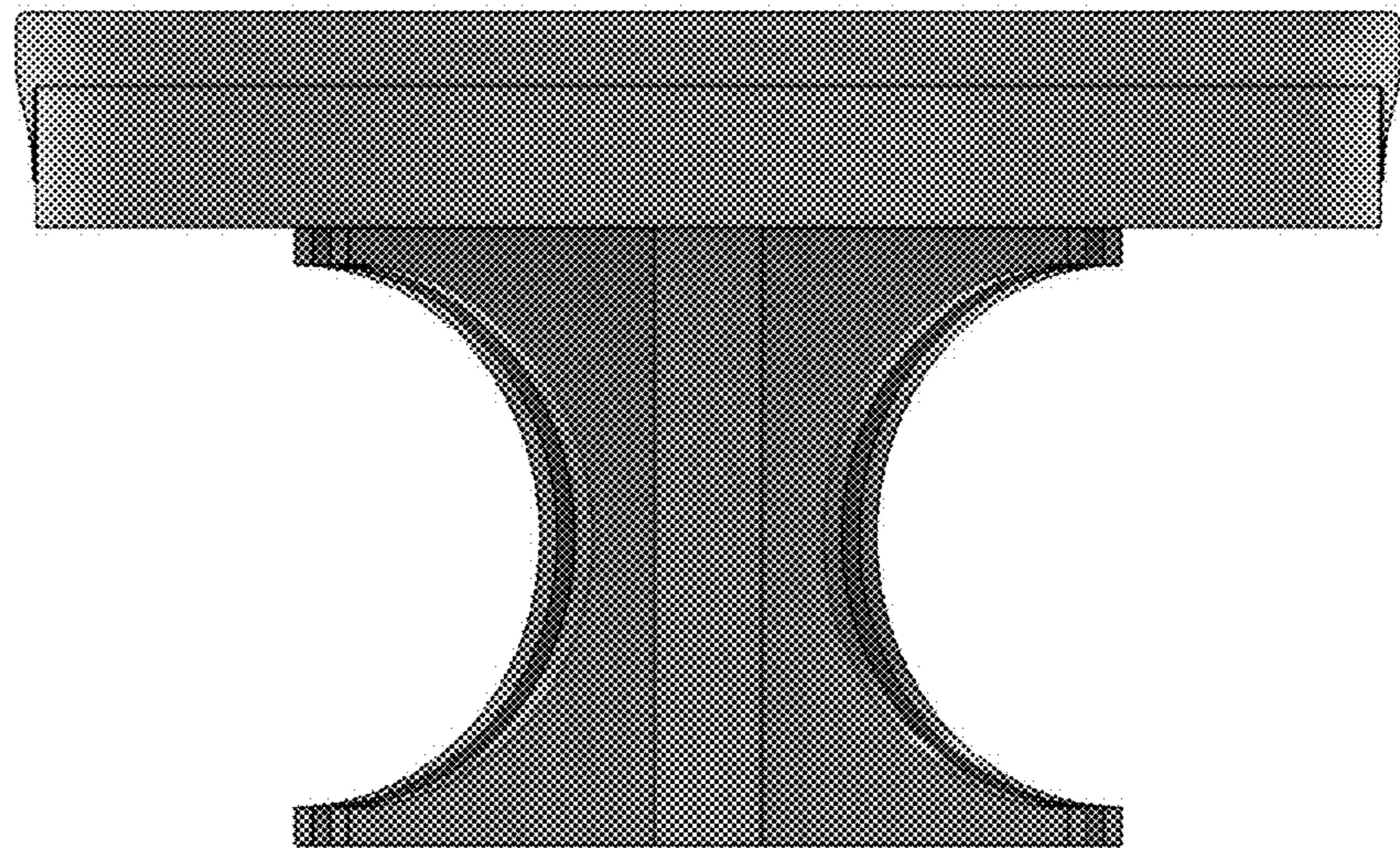
1.1



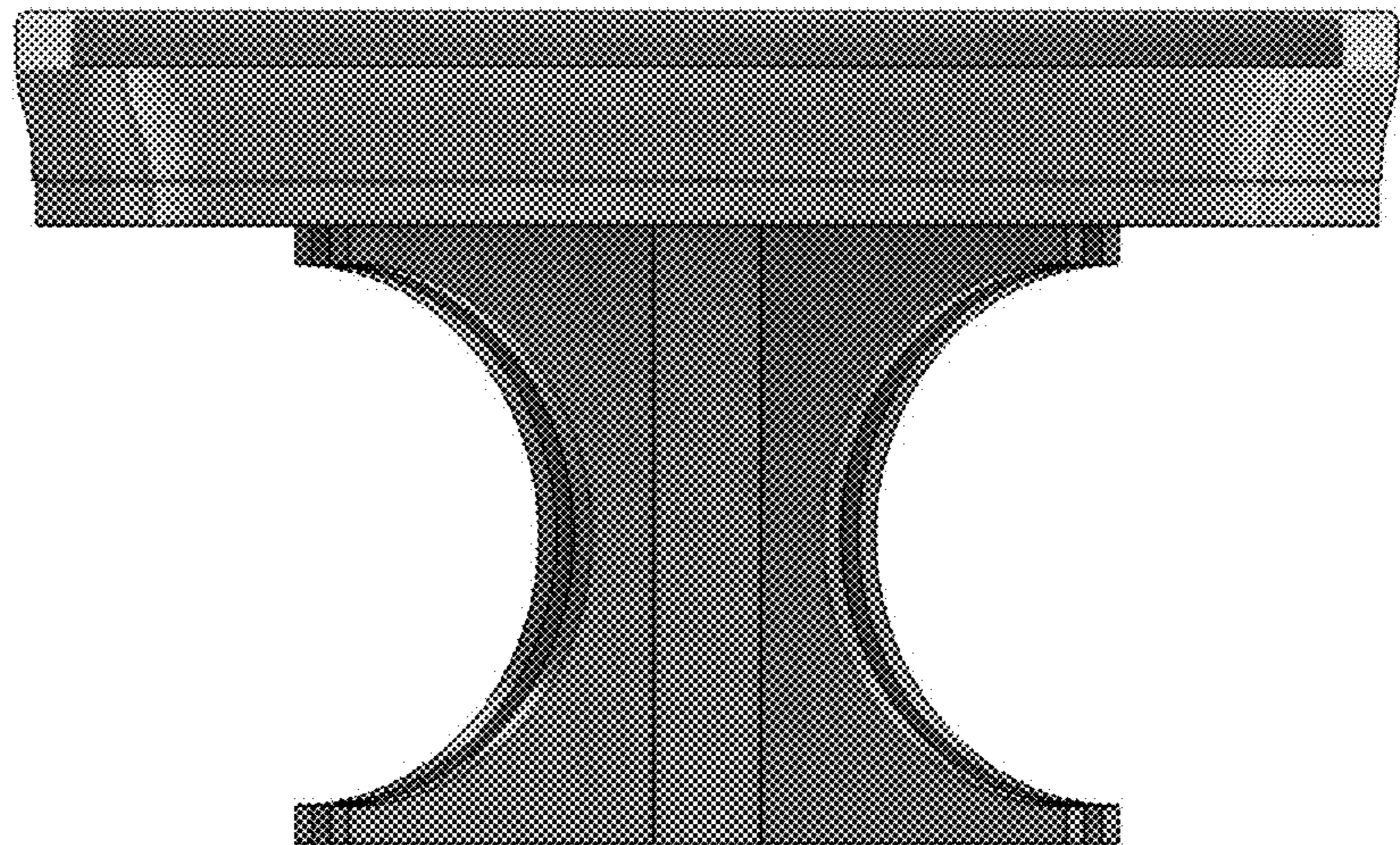
1.2



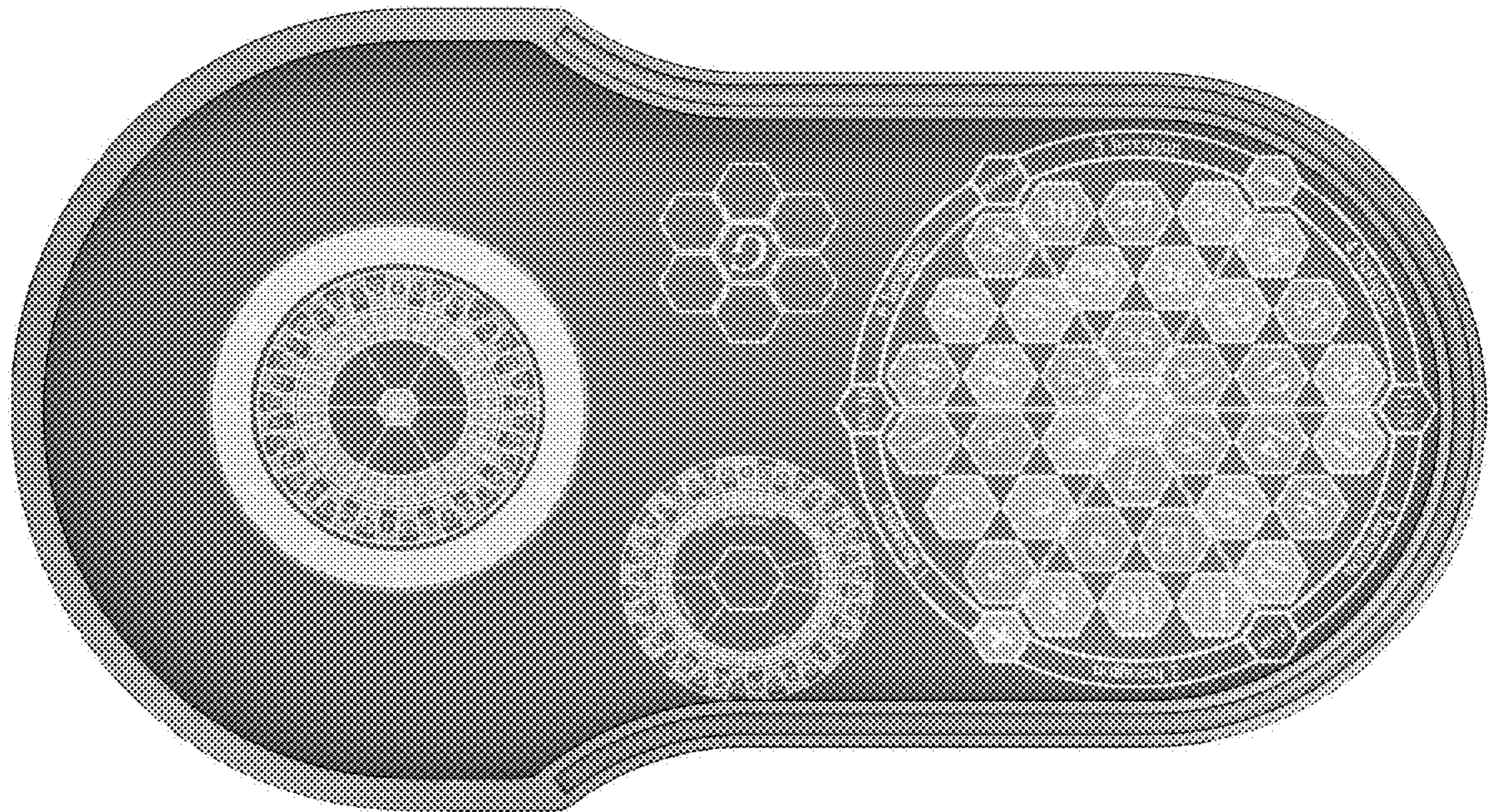
1.3



1.4



1.5



1.6

