



US00D941924S

(12) **United States Design Patent**  
**Jackermeier**

(10) **Patent No.:** **US D941,924 S**

(45) **Date of Patent:** **\*\* Jan. 25, 2022**

(54) **COUPLER FOR STEERING WHEELS FOR ELECTRONIC GAMES**

D859,968 S \* 9/2019 West ..... D8/382  
D880,962 S \* 4/2020 Fu ..... D7/669  
D911,447 S \* 2/2021 Conrad ..... D21/333  
D919,707 S \* 5/2021 Conrad ..... D21/333

(71) Applicant: **Endor AG**, Landshut (DE)

\* cited by examiner

(72) Inventor: **Thomas Jackermeier**, Landshut (DE)

*Primary Examiner* — George D. Kirschbaum

(\*\*) Term: **15 Years**

*Assistant Examiner* — Joseph J Kukella

(21) Appl. No.: **35/510,849**

(22) Filed: **Jun. 4, 2020**

(57) **CLAIM**

(80) **Hague Agreement Data**

The ornamental design for a coupler for steering wheels for electronic games, as shown and described.

Int. Filing Date: **Jun. 4, 2020**

Int. Reg. No.: **DM/210010**

Int. Reg. Date: **Jun. 4, 2020**

Int. Reg. Pub. Date: **Dec. 4, 2020**

**DESCRIPTION**

(51) **LOC (13) Cl.** ..... **21-01**

The patent or application file contains at least one drawing executed in color. Copies of this patent or patent application publication with color drawing(s) will be provided by the Office upon request and payment of the necessary fee.

(52) **U.S. Cl.**

USPC ..... **D21/333**

(58) **Field of Classification Search**

USPC ..... D8/382; D12/177; D21/324-329, 333

CPC ..... A63F 13/08; A63F 13/90

See application file for complete search history.

1. Coupler for steering wheels for electronic games

1.1 : Perspective

1.2 : Top

1.3 : Bottom

1.4 : Left

1.5 : Right

1.6 : Front

1.7 : Back

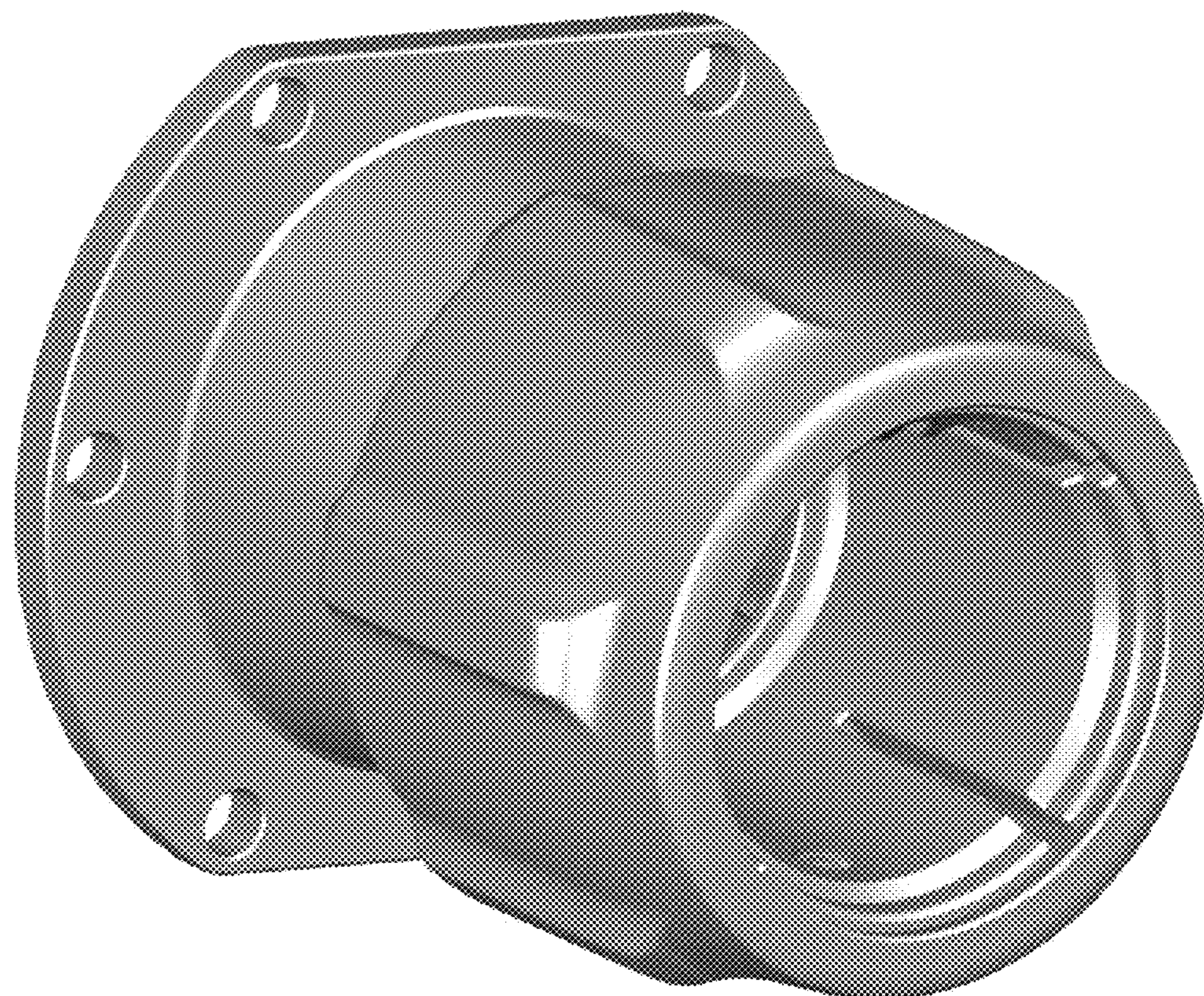
(56) **References Cited**

**U.S. PATENT DOCUMENTS**

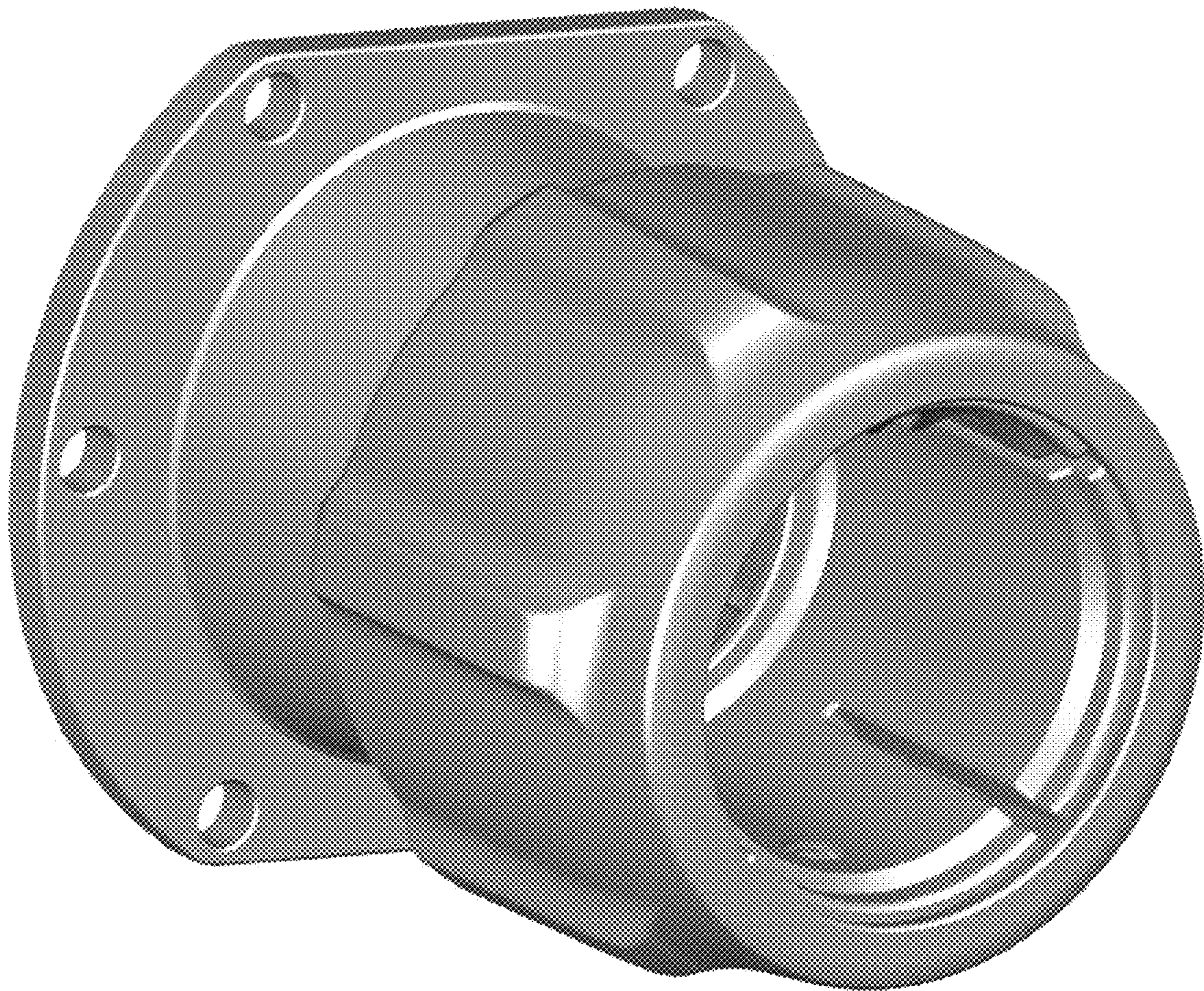
D531,888 S \* 11/2006 Barnes ..... D8/382

D627,831 S \* 11/2010 Tombazis ..... D21/333

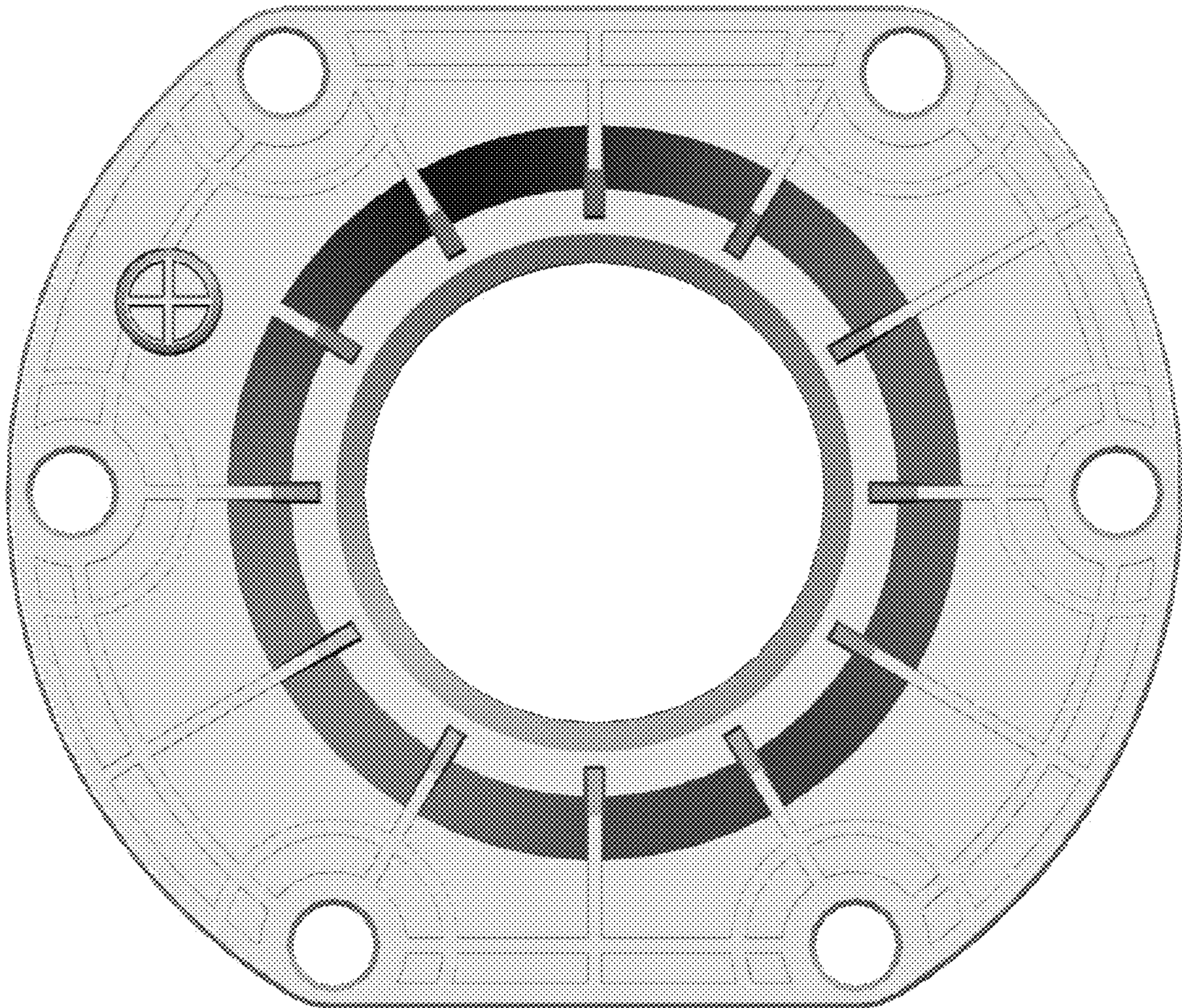
**1 Claim, 7 Drawing Sheets**  
**(7 of 7 Drawing Sheet(s) Filed in Color)**



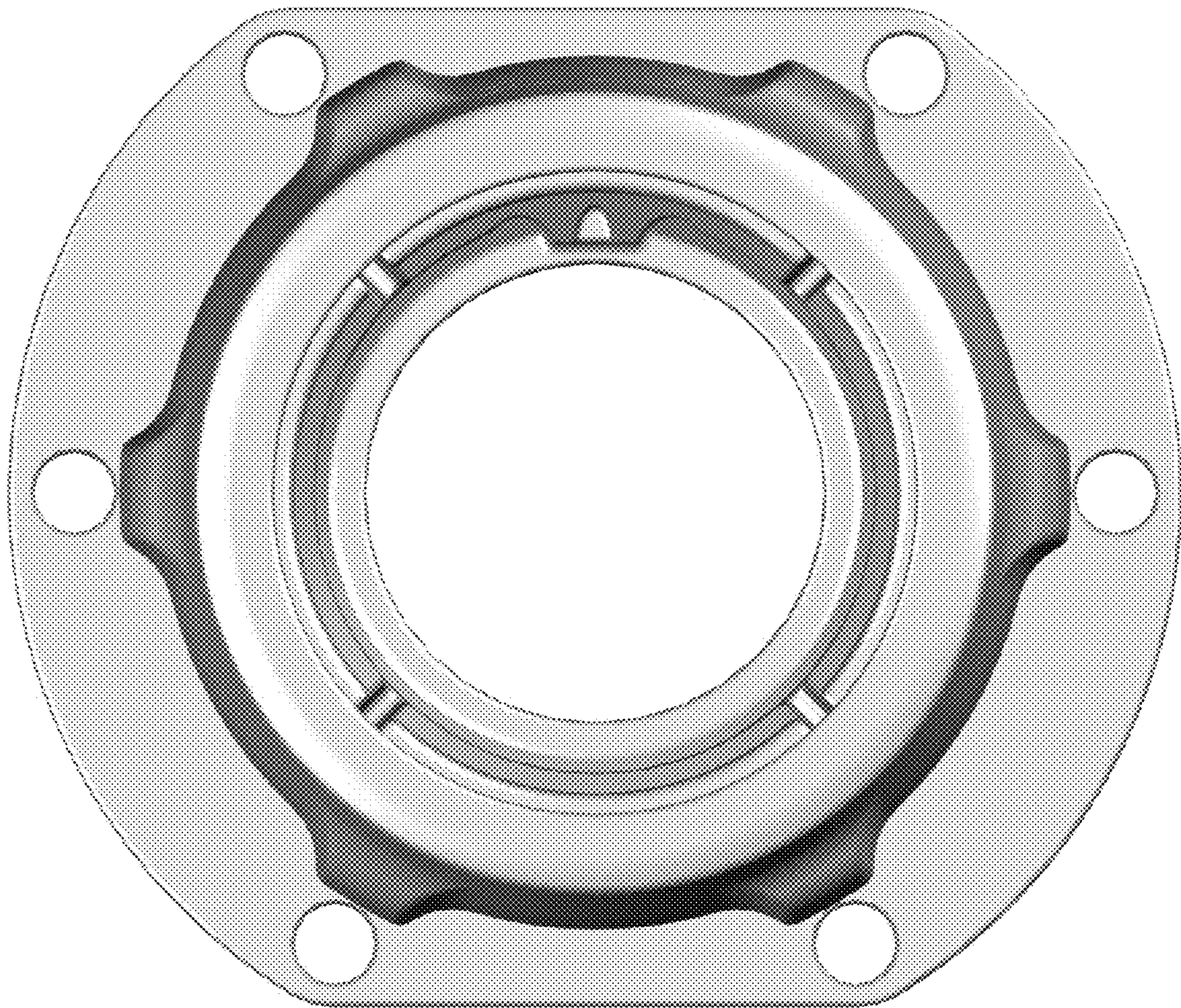
1.1



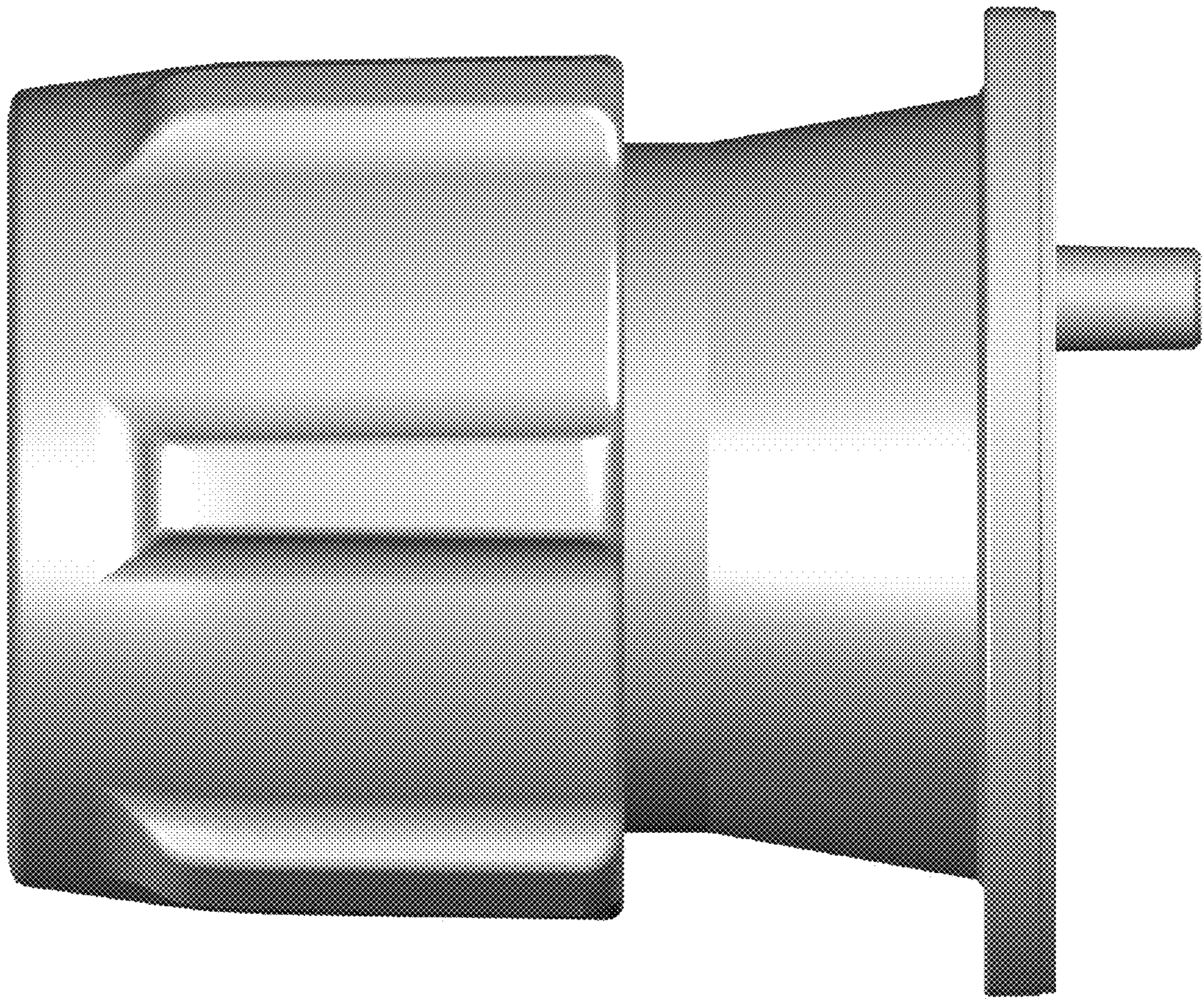
1.2



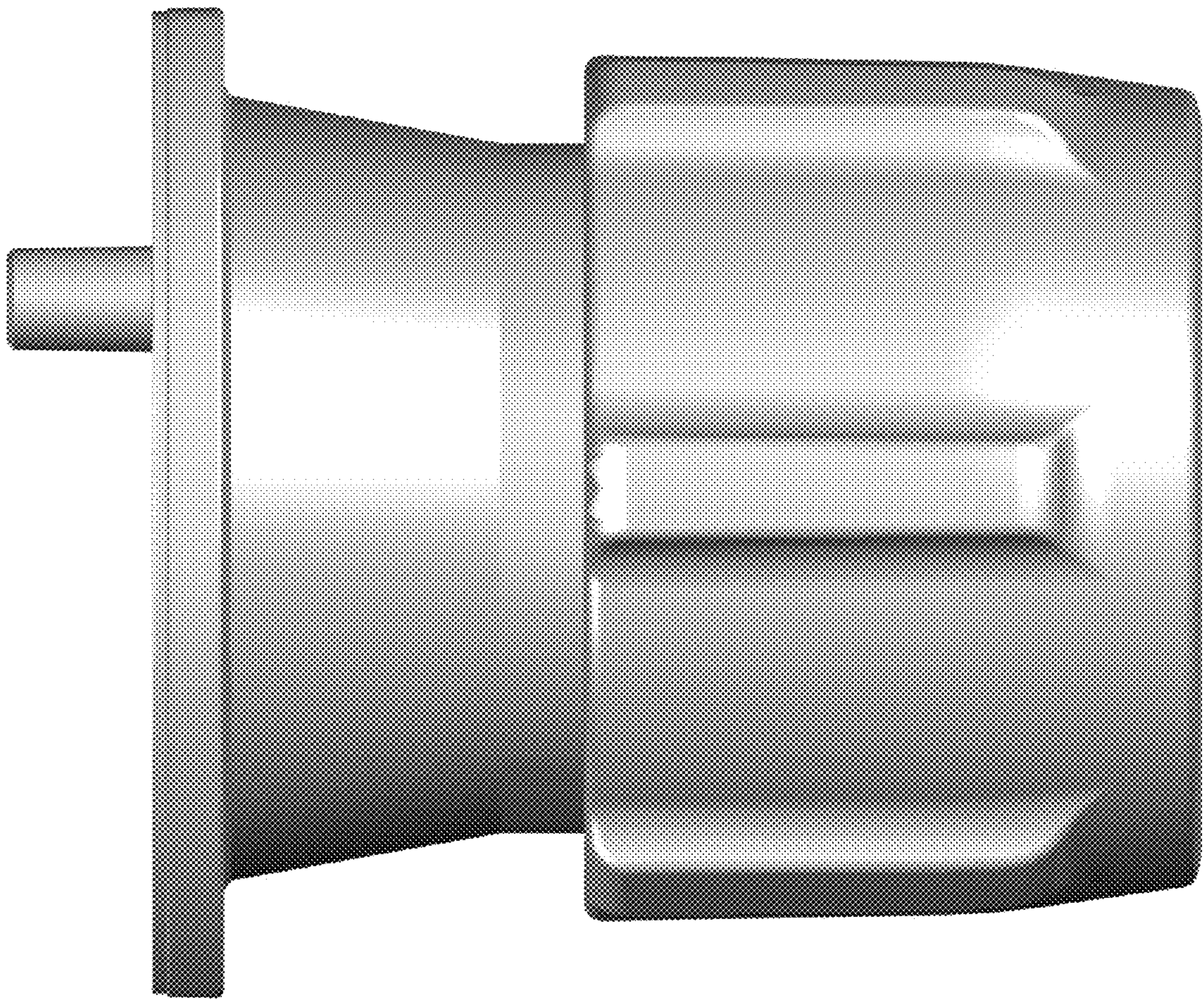
1.3



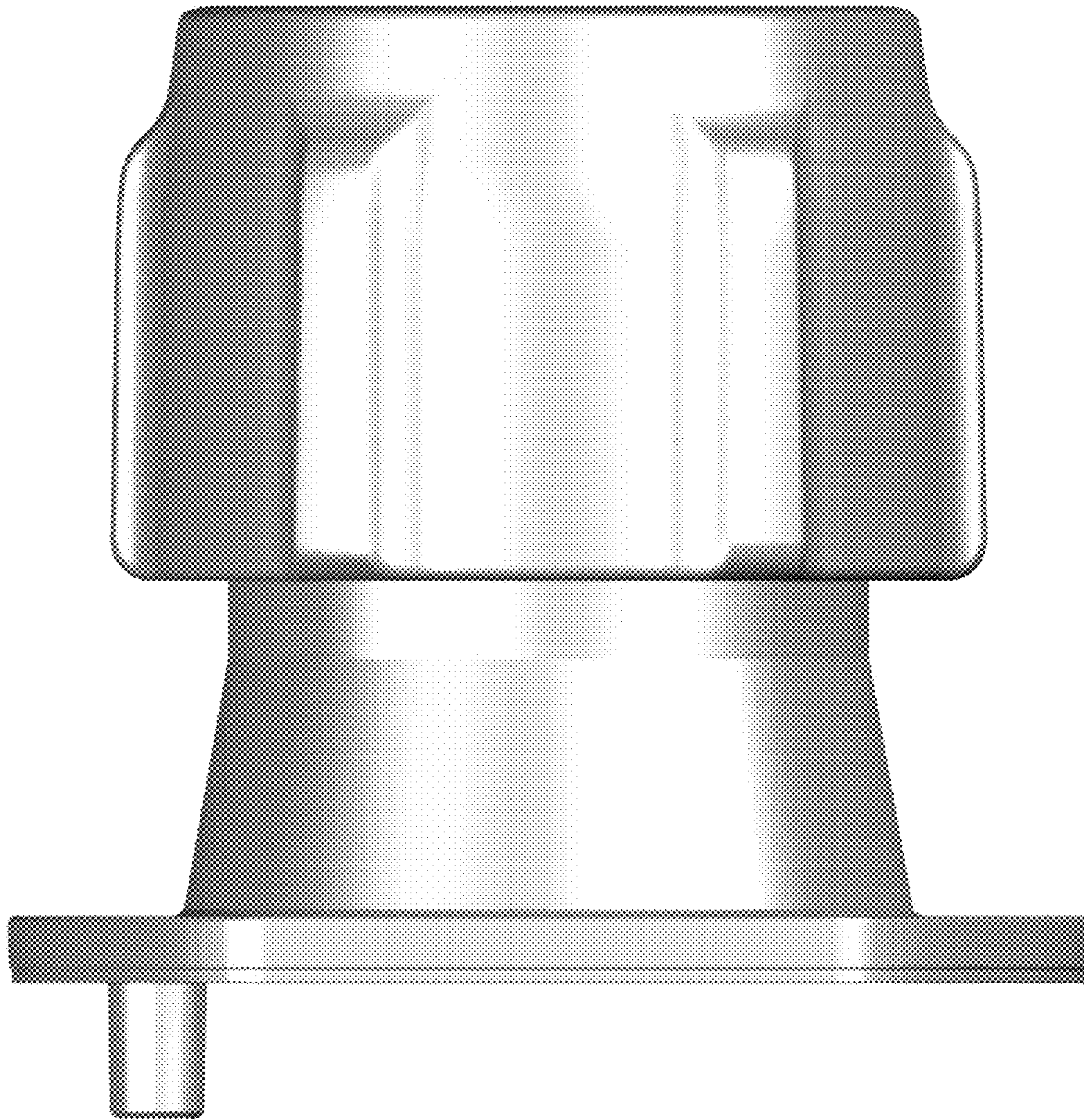
1.4



1.5



1.6



1.7

