



US00D941921S

(12) **United States Design Patent** (10) **Patent No.:** **US D941,921 S**
Ikeda (45) **Date of Patent:** **** Jan. 25, 2022**

(54) **FOUNTAIN PEN**
(71) Applicant: **KABUSHIKI KAISHA PILOT CORPORATION**, Tokyo (JP)
(72) Inventor: **Akinori Ikeda**, Tokyo (JP)
(73) Assignee: **KABUSHIKI KAISHA PILOT CORPORATION**, Tokyo (JP)
(**) Term: **15 Years**
(21) Appl. No.: **29/726,904**
(22) Filed: **Mar. 6, 2020**
(30) **Foreign Application Priority Data**

D358,420 S * 5/1995 Tseng D19/168
D360,433 S * 7/1995 Payne D19/174
D409,660 S * 5/1999 Izushima D19/195
D458,636 S * 6/2002 Shimizu D19/174
D476,685 S * 7/2003 Metaxatos D19/171
D484,541 S * 12/2003 Takanashi D19/195
D488,508 S * 4/2004 Finney D19/164
7,172,358 B1 * 2/2007 Rudelius B43K 7/12
346/139 R
D577,068 S * 9/2008 Soetewey D19/168
D641,784 S * 7/2011 Lira-Nunez D19/171
D646,718 S * 10/2011 Kim D19/168
D653,706 S * 2/2012 Lira-Nunez D19/201
D660,357 S * 5/2012 Lira-Nunez D19/172
D682,352 S * 5/2013 Levy D19/154
D717,941 S * 11/2014 Mach D24/113
D732,111 S * 6/2015 Li D19/164
D758,492 S * 6/2016 Wind D19/192
9,682,593 B2 * 6/2017 Willemin B43K 21/006
D879,877 S * 3/2020 Zhang D19/176

Sep. 9, 2019 (JP) 2019-020102

(51) **LOC (13) Cl.** **19-06**
(52) **U.S. Cl.**
USPC **D19/171**
(58) **Field of Classification Search**
USPC D19/115-204; D14/411; D9/504, 529;
D28/76, 88
CPC . B43K 5/005; B43K 7/12; B43K 8/00; B43K
8/02; B43K 8/04; B43K 8/06; B43K
21/003; B43K 21/006; B43K 21/06;
B43K 23/00
See application file for complete search history.

* cited by examiner

Primary Examiner — Elizabeth A. Albert

(74) *Attorney, Agent, or Firm* — Sughrue Mion, PLLC

(57) **CLAIM**

The ornamental design for a fountain pen, as shown and described.

DESCRIPTION

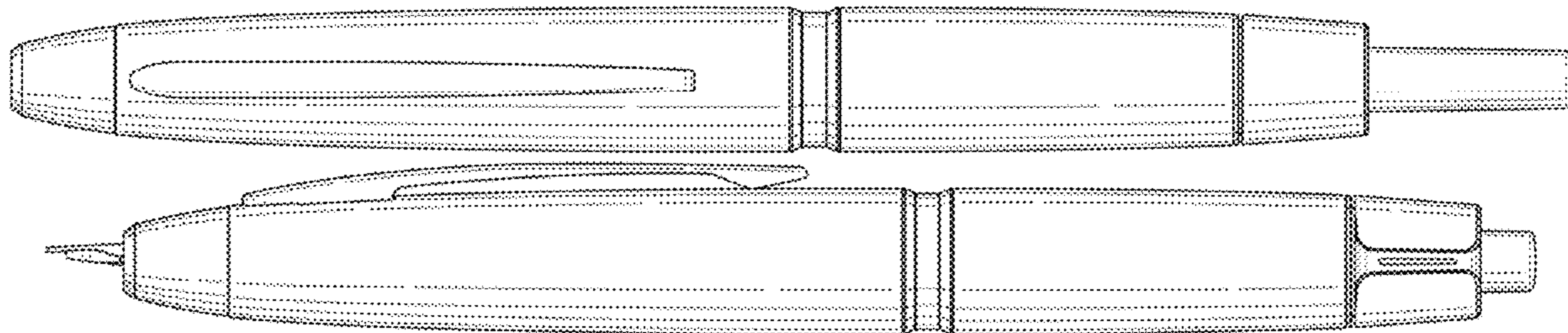
FIG. 1 is a perspective view of a fountain pen showing my new design;
FIG. 2 is a front view thereof, a rear view being a mirror image;
FIG. 3 is a left side view thereof;
FIG. 4 is a right side view thereof;
FIG. 5 is a top view thereof;
FIG. 6 is a bottom view thereof;
FIG. 7 is a front view of usage thereof;
FIG. 8 is a right side view of usage thereof; and,
FIG. 9 is a top view of usage.

(56) **References Cited**

U.S. PATENT DOCUMENTS

2,468,699 A * 4/1949 Woods B43K 25/022
24/11 R
D178,033 S * 6/1956 Young et al. D19/179
D181,705 S * 12/1957 Bruce D19/179
D182,311 S * 3/1958 Steinberg D19/172
D238,358 S * 1/1976 Itoh D19/171
D325,045 S * 3/1992 Katami D19/168
D327,707 S * 7/1992 Katami D19/168

1 Claim, 3 Drawing Sheets



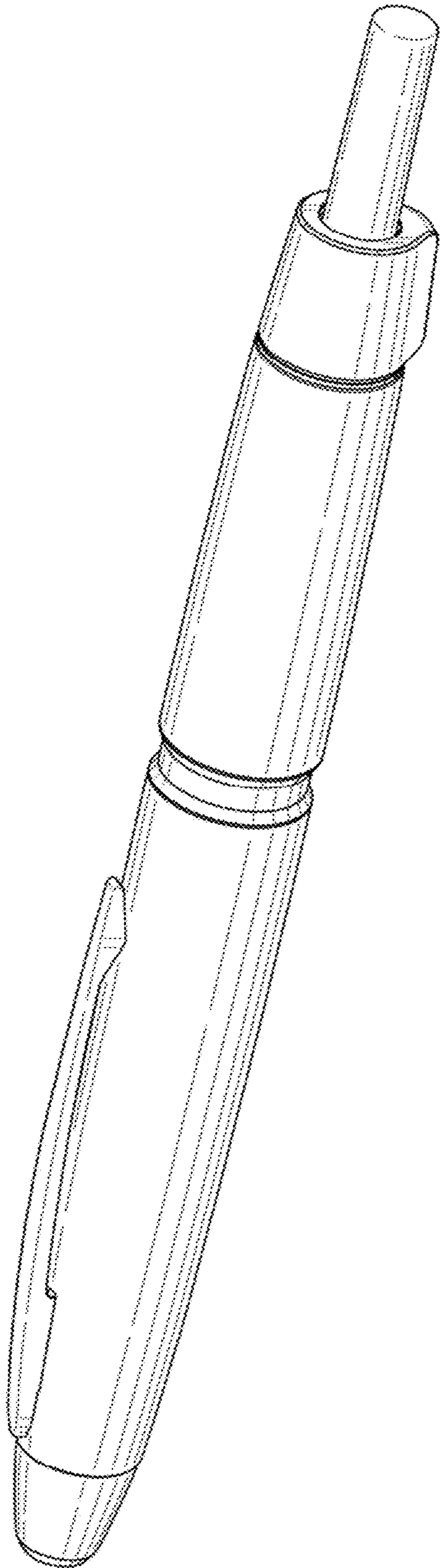


FIG. 1

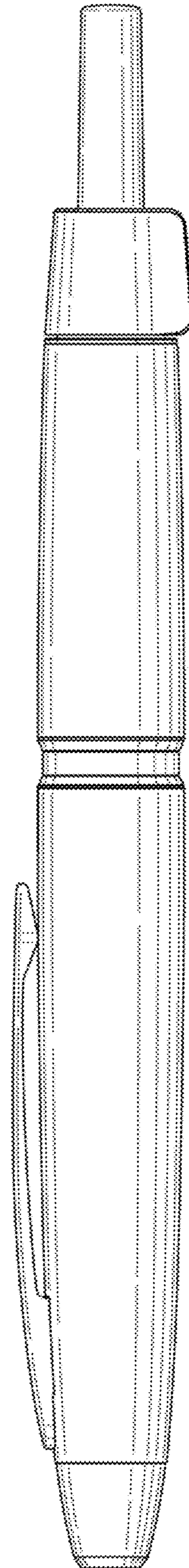


FIG. 2

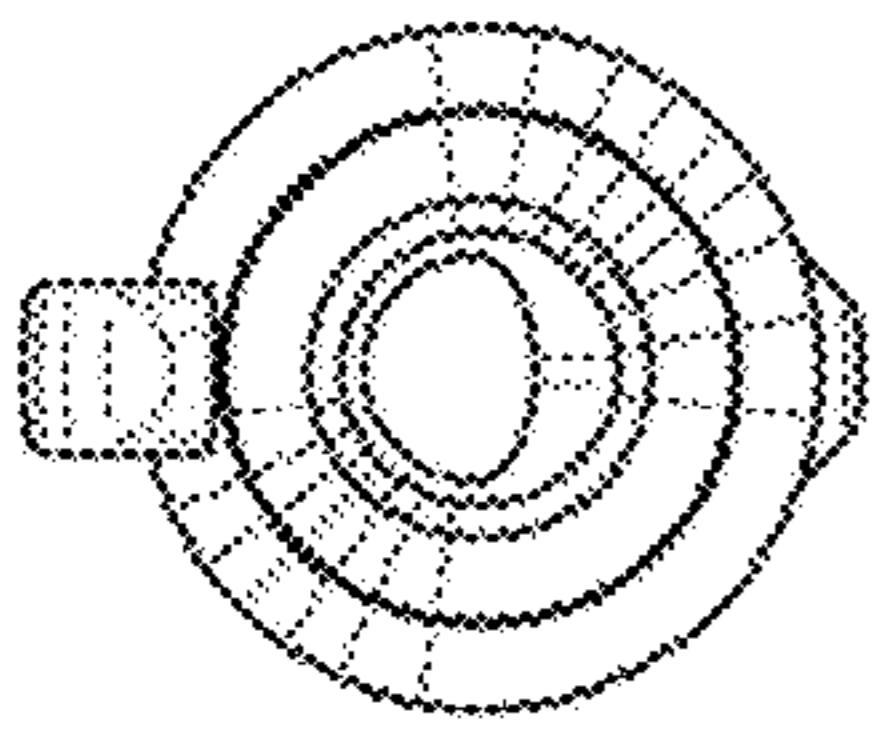


FIG. 3

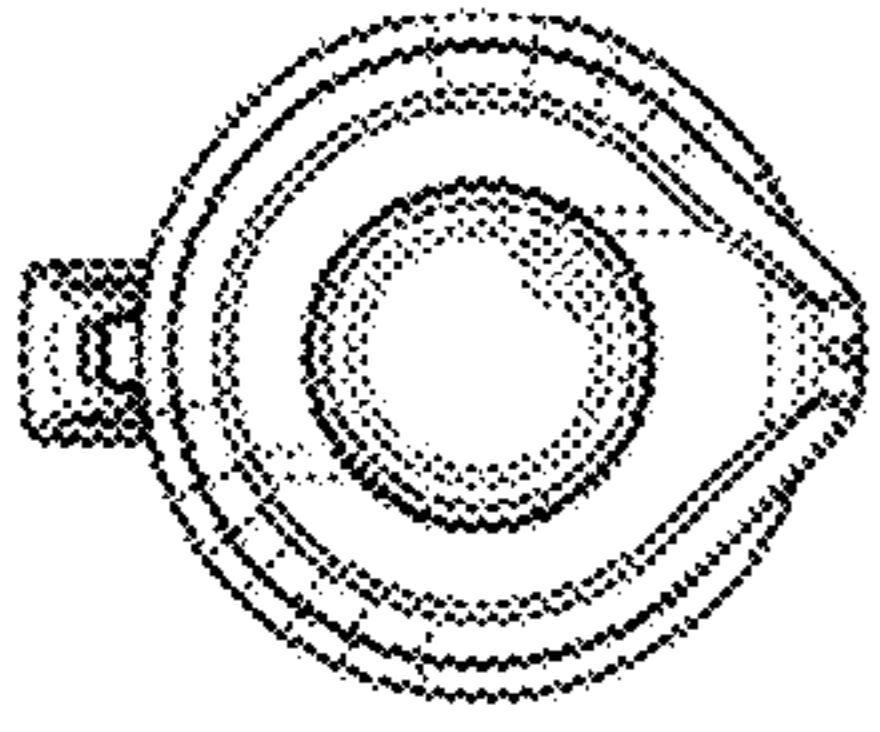


FIG. 4

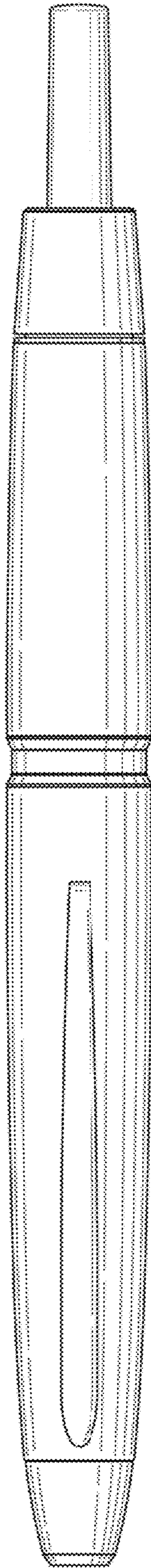


FIG. 5

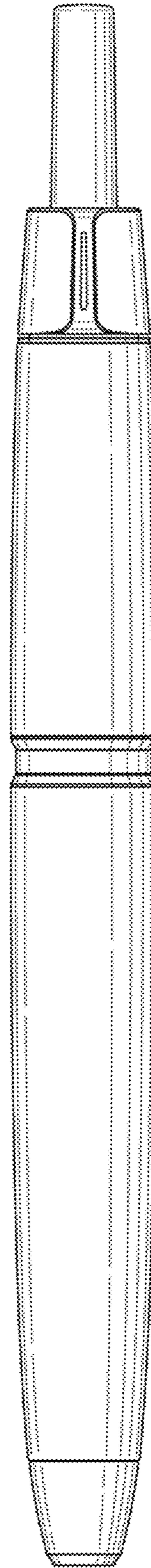


FIG. 6

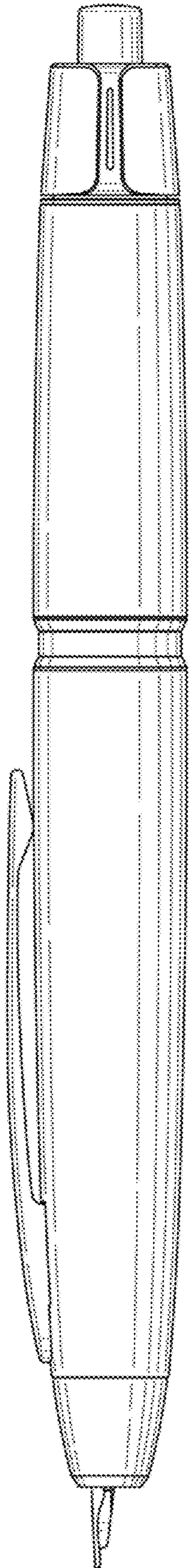


FIG. 7

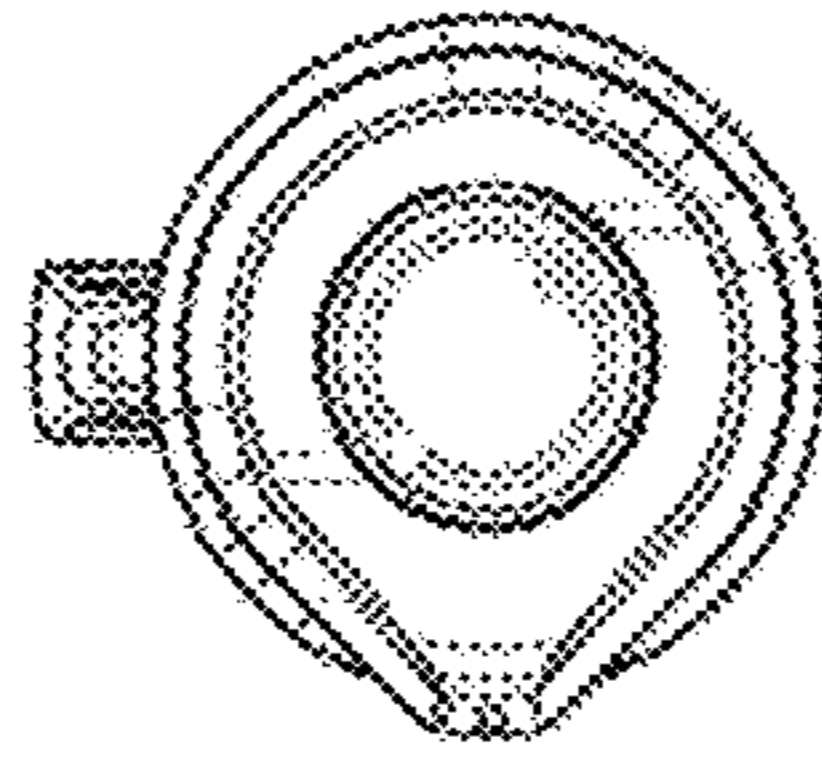


FIG. 8

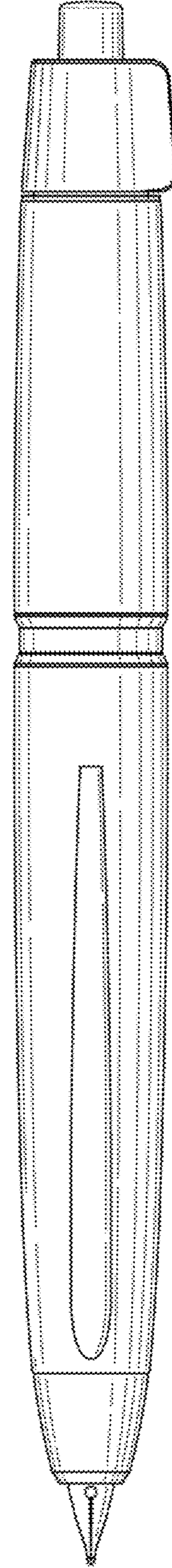


FIG. 9